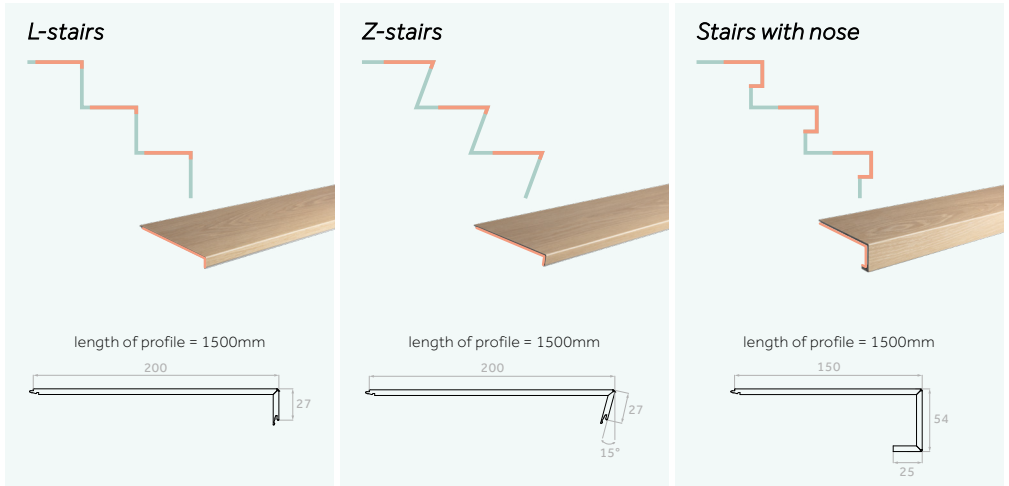


BUILD YOUR FLOORIFY STAIRCASE



LONG PLANKS

1 SELECT THE SHAPE



2 CHOOSE THE COLOUR | RANGE LONG PLANKS (1524 X 225 X 4,5MM)

FLOOR Fxxx ex. F001
PROFILE Lxxx ex. L001

Fxxx ex. F001
Zxxx ex. Z001

Fxxx ex. F001
Cxxx ex. C001

3 WHAT TO ORDER

NUMBER OF STEPS max width: 1,5 m	1	2	3	4	5	6	7	8	9	10	11	12	13	14	15	16
NUMBER OF PROFILES order per piece	1	2	3	4	5	6	7	8	9	10	11	12	13	14	15	16
NUMBER OF PLANKS order per box	2	4	6	8	10	12	14	16	18	20	22	24	26	28	30	32
	1 box (= 8 planks = 2,74 m ²)				2 boxes (= 16 planks = 5,48 m ²)				3 boxes (= 24 planks = 8,22 m ²)				4 boxes (= 32 planks = 10,96 m ²)			

Example:

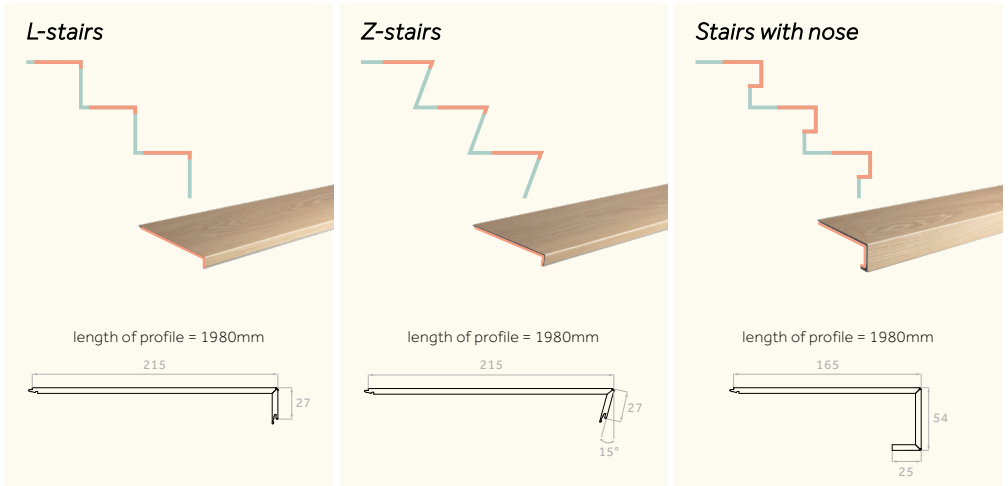
straight staircase with 14 steps in the colour of F001 => order 14 pieces of L001 profiles and 4 boxes of F001 planks

BUILD YOUR FLOORIFY STAIRCASE



XL PLANKS

1 SELECT THE SHAPE



2 CHOOSE THE COLOUR | RANGE XL PLANKS (2000 X 240 X 4,5MM)



3 WHAT TO ORDER

NUMBER OF STEPS max width: 90 cm	1	2	3	4	5	6	7	8	9	10	11	12	13	14	15
NUMBER OF PROFILES* order per piece	1	1	2	2	3	3	4	4	5	5	6	6	7	7	8
NUMBER OF PLANKS order per box	1	2	3	4	5	6	7	8	9	10	11	12	13	14	15
	1 box (= 5 planks = 2,4 m ²)			2 boxes (= 10 planks = 4,8 m ²)				3 boxes (= 15 planks = 7,2 m ²)							

Example:

straight staircase with 14 steps in the colour of F100 => order 7 pieces of L100 profiles and 3 boxes of F100 planks

* From 1 profile, 2 steps of a maximum of 90 cm each can be made