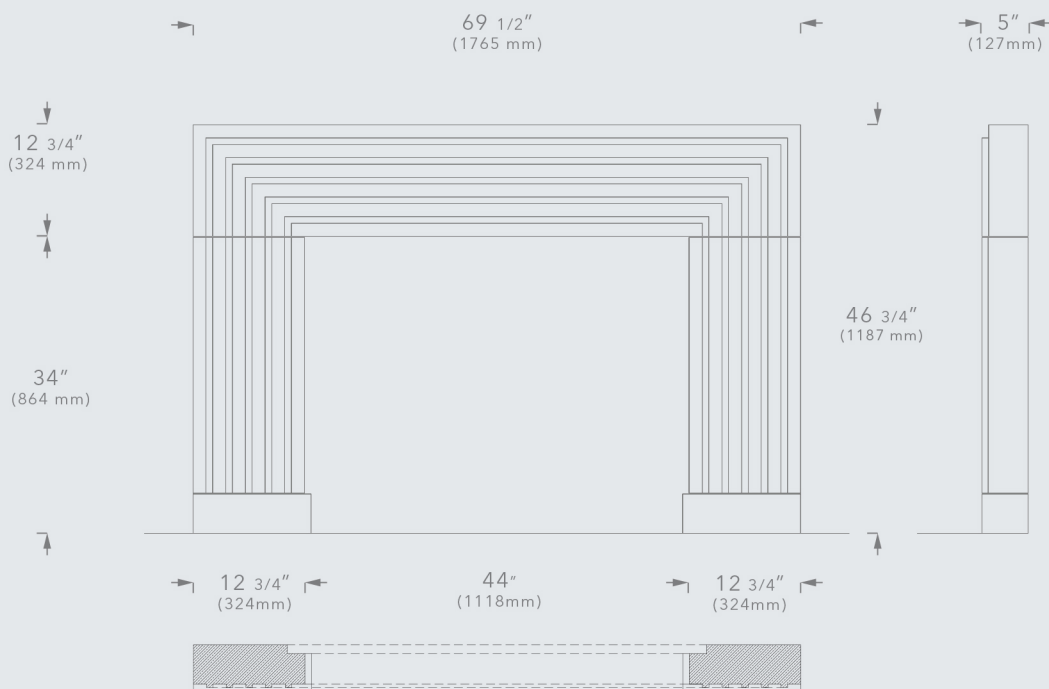




ANCIENT & MODERN
ancientandmodern.us

SHERATON



overall - **$69 \frac{1}{2}''$ x $46 \frac{3}{4}''$ x $5''$** (1765 x 1187 x 127mm)

jamb - **$34''$ x $12 \frac{3}{4}''$** (864 x 324mm)

frieze - **$69 \frac{1}{2}''$ x $12 \frac{3}{4}''$** (1765 x 324mm)

opening - **$44''$ x $34''$** (1118 x 864mm)

approx **794lbs** (360kg)

please expect some variation of color and natural veining
as a handmade product there may be minor variations in the finished dimensions (usually 1/8")