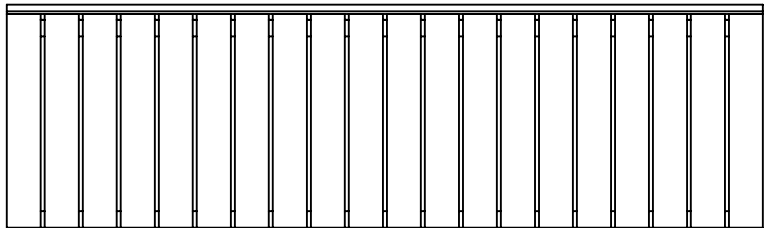
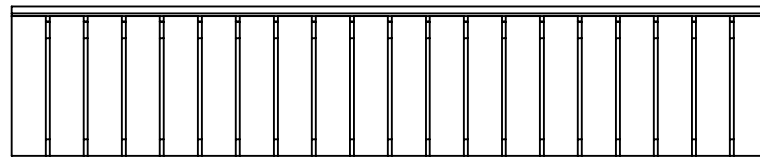


Element 1



X 1

Element 2



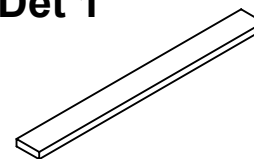
X 1

Element 3



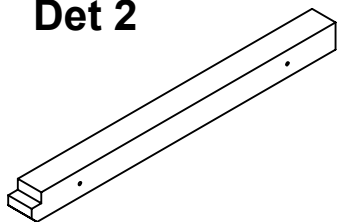
X 2

Det 1



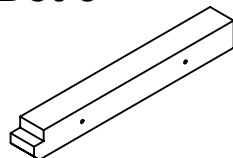
X 3

Det 2



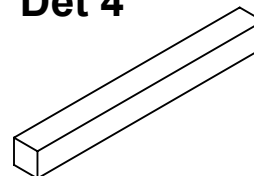
X 2

Det 3



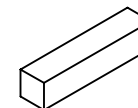
X 2

Det 4

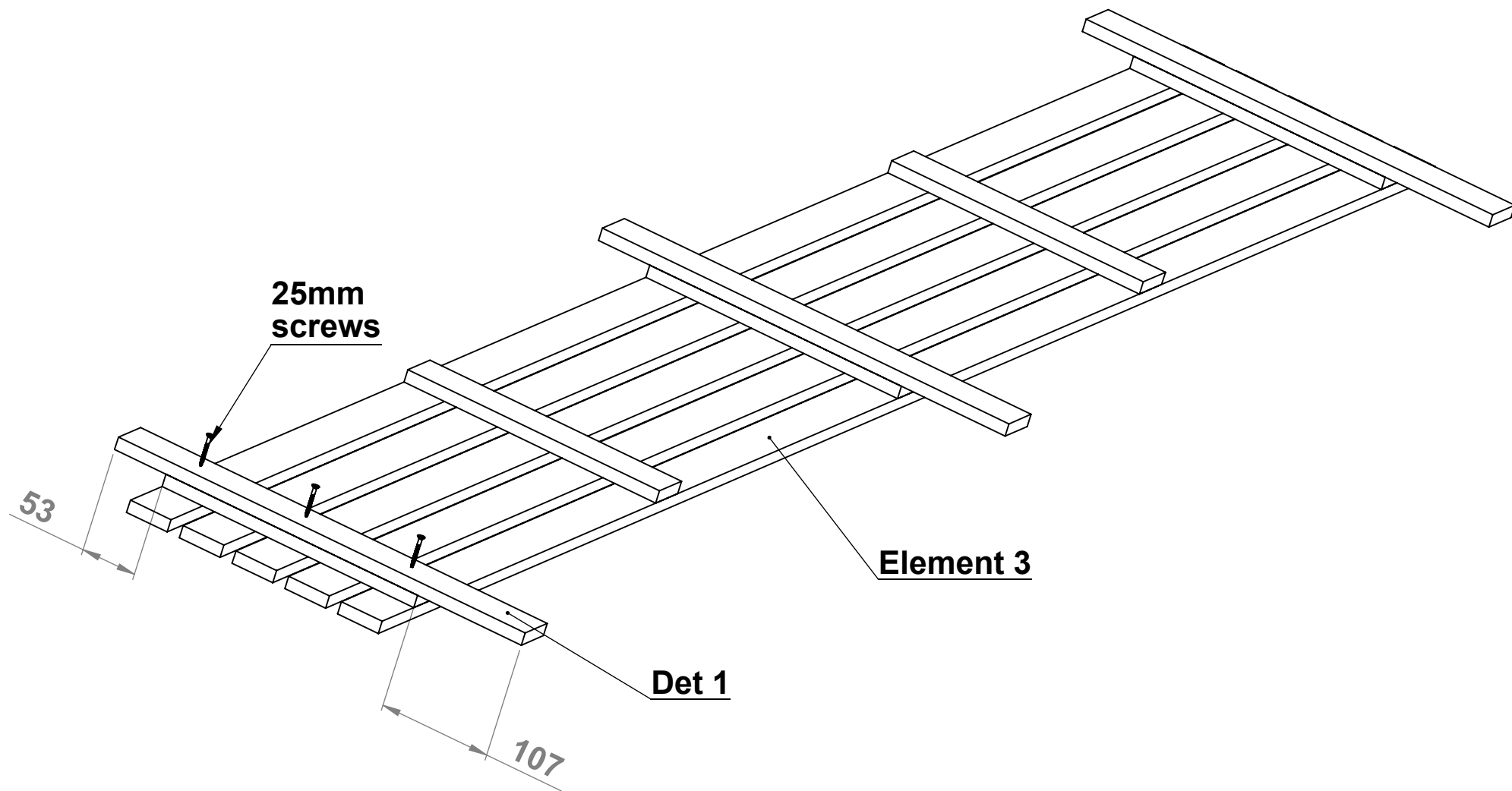


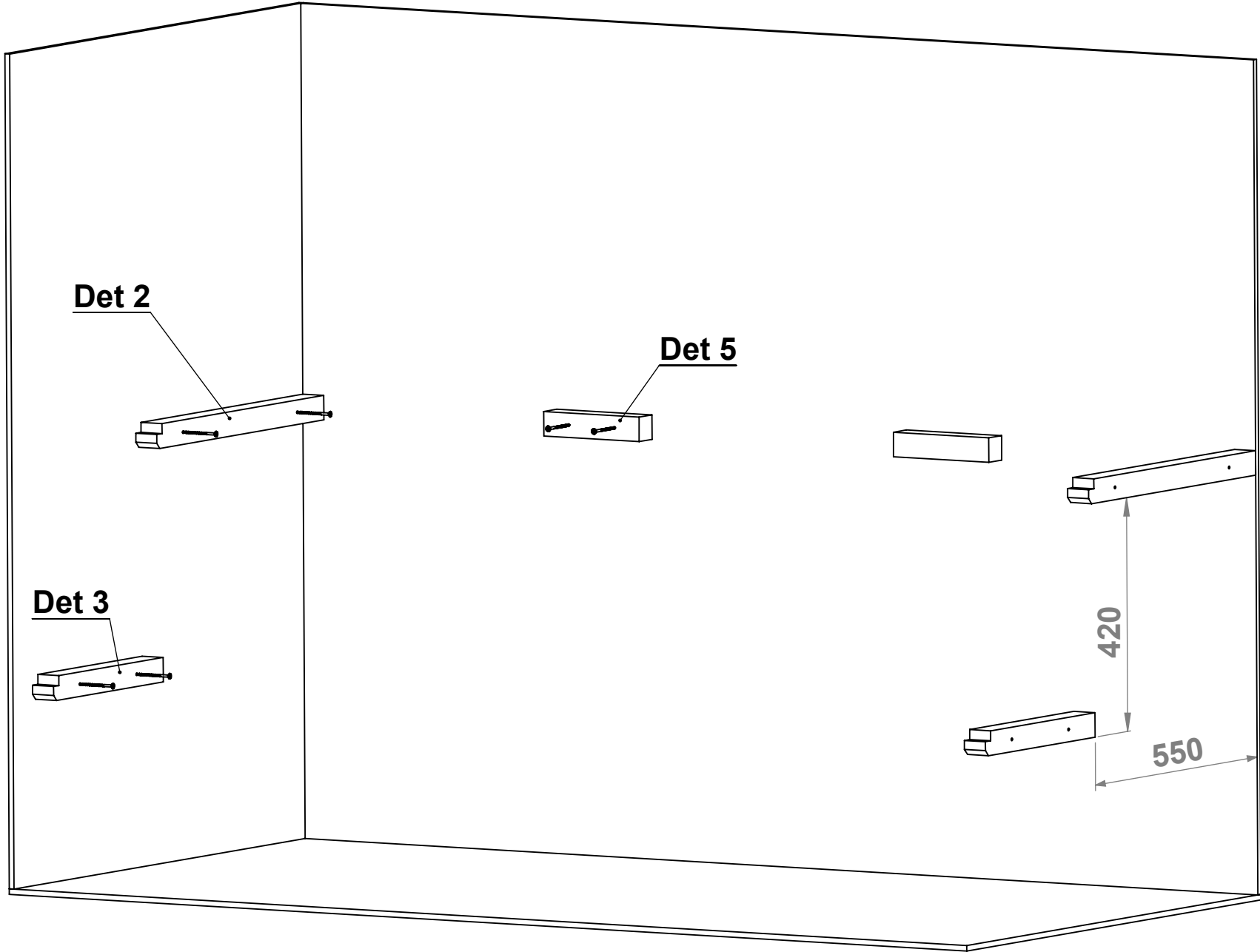
X 1

Det 5



X 2





Det 2

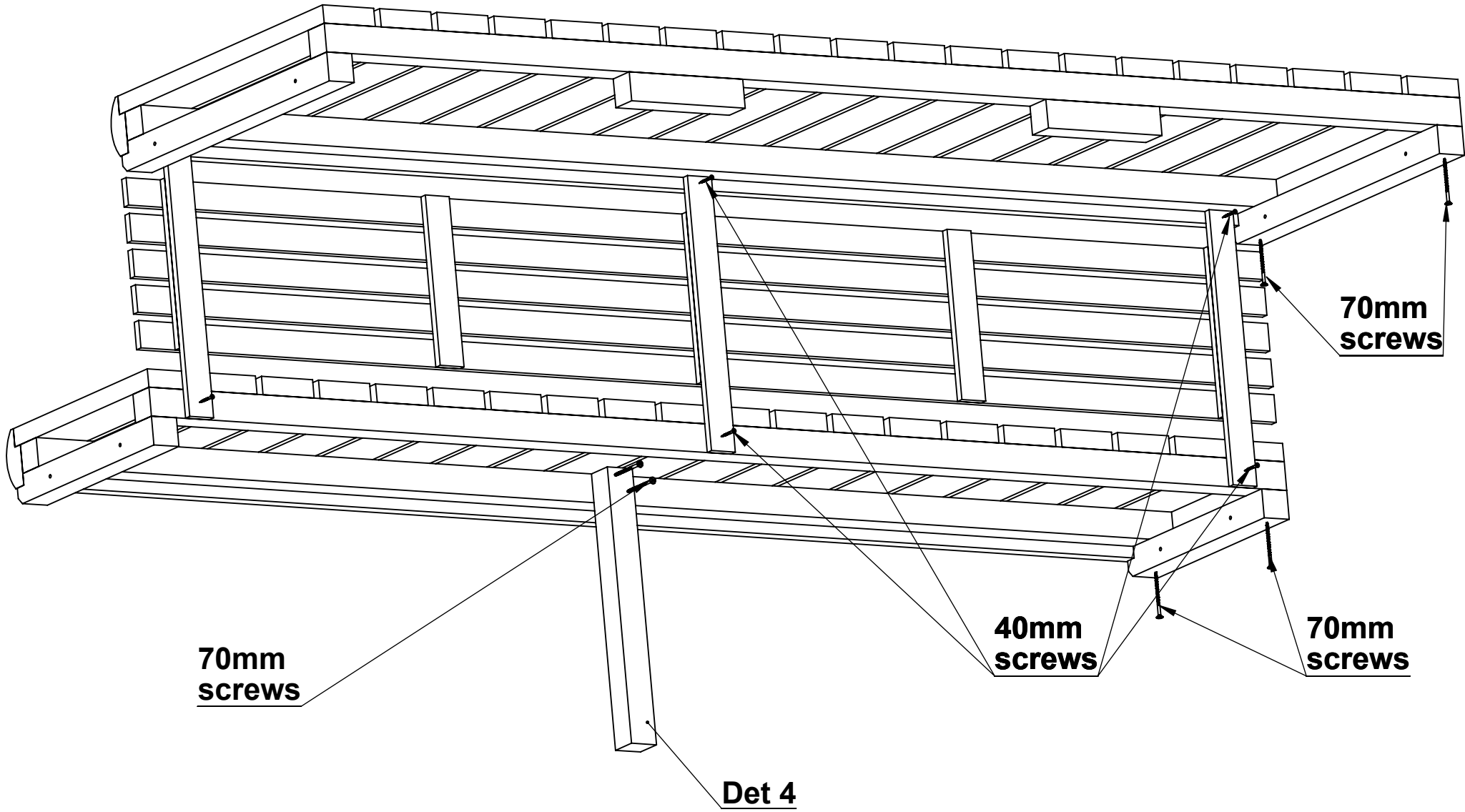
Det 5

Det 3

420

550

NB Drill the pilot holes
for the screws



**Connect element 3
to the wall**

