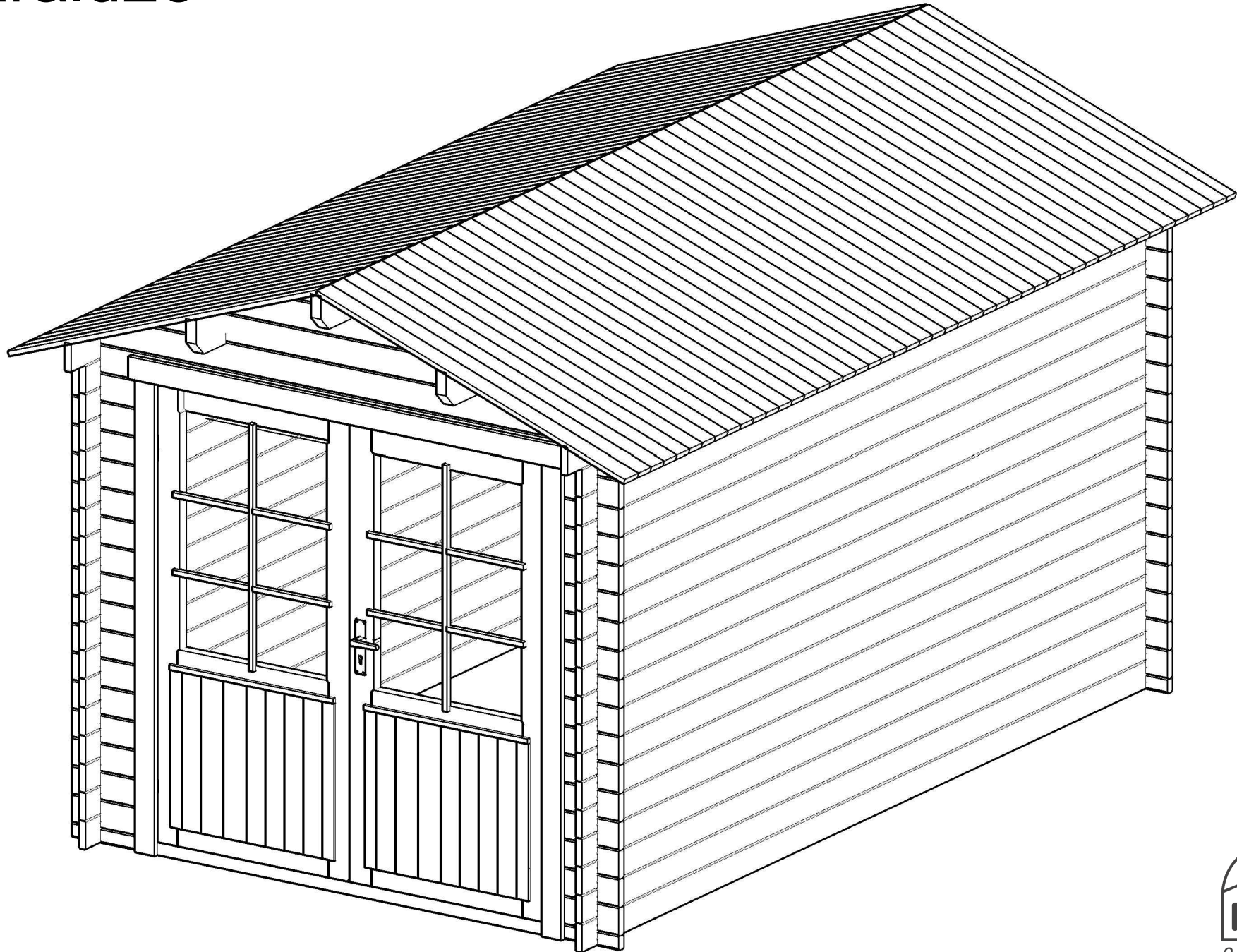
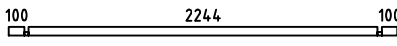
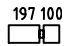
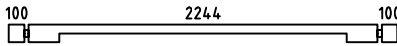
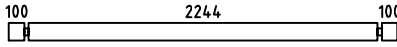
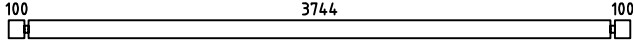
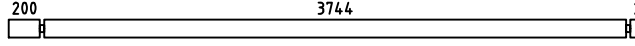
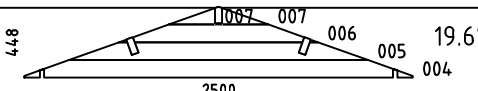
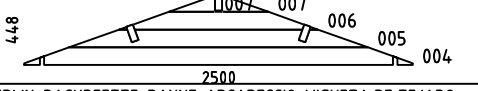
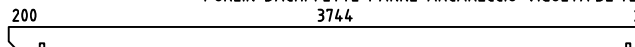
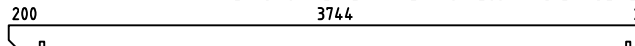


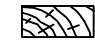
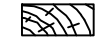
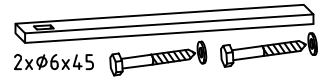

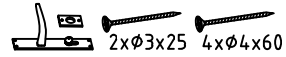
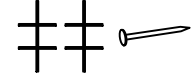


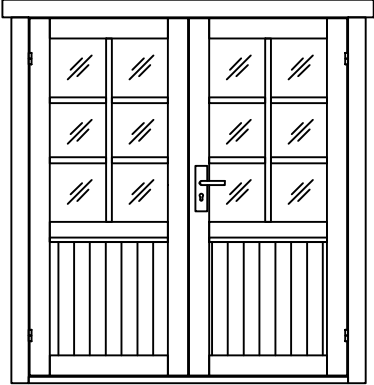


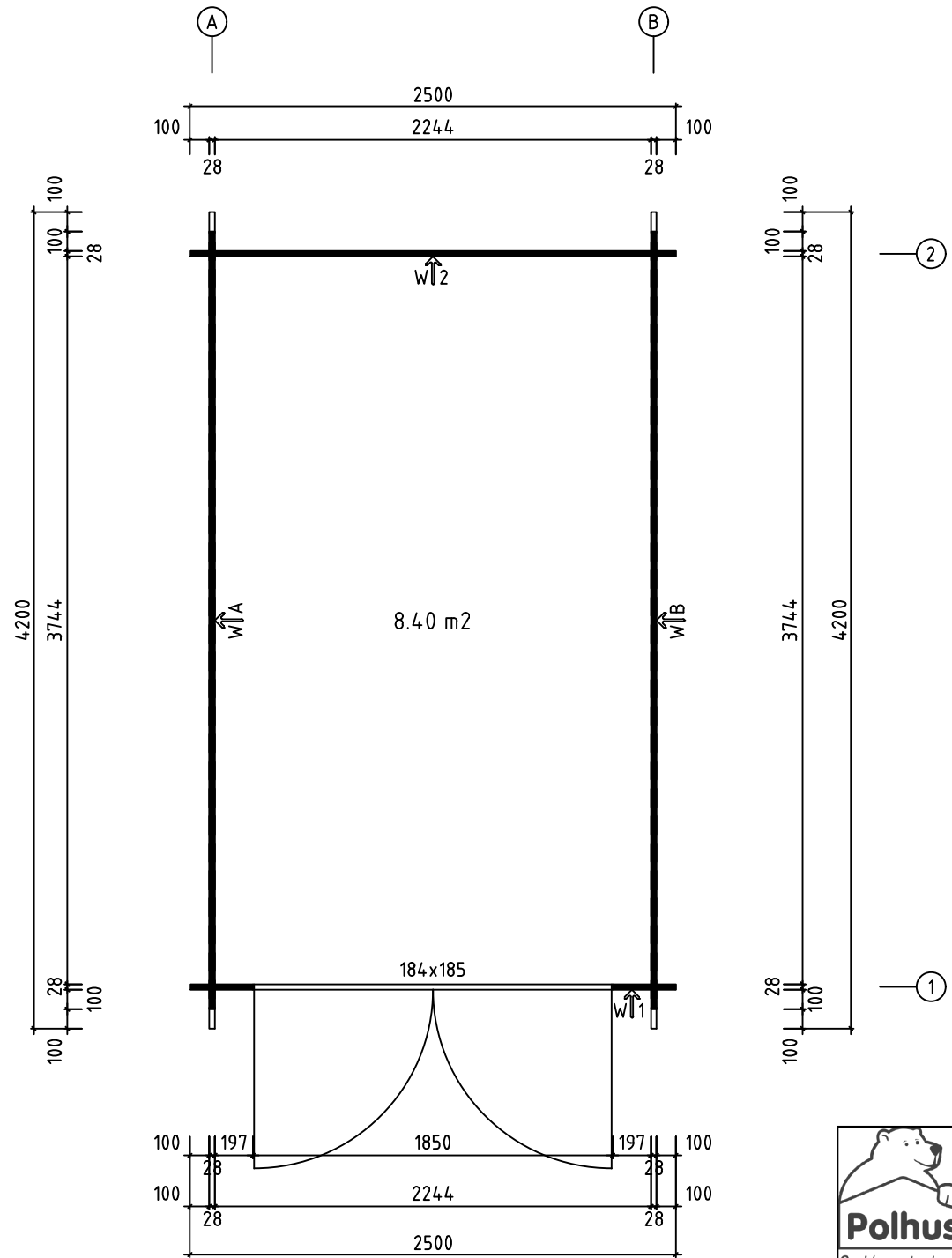
Harald28



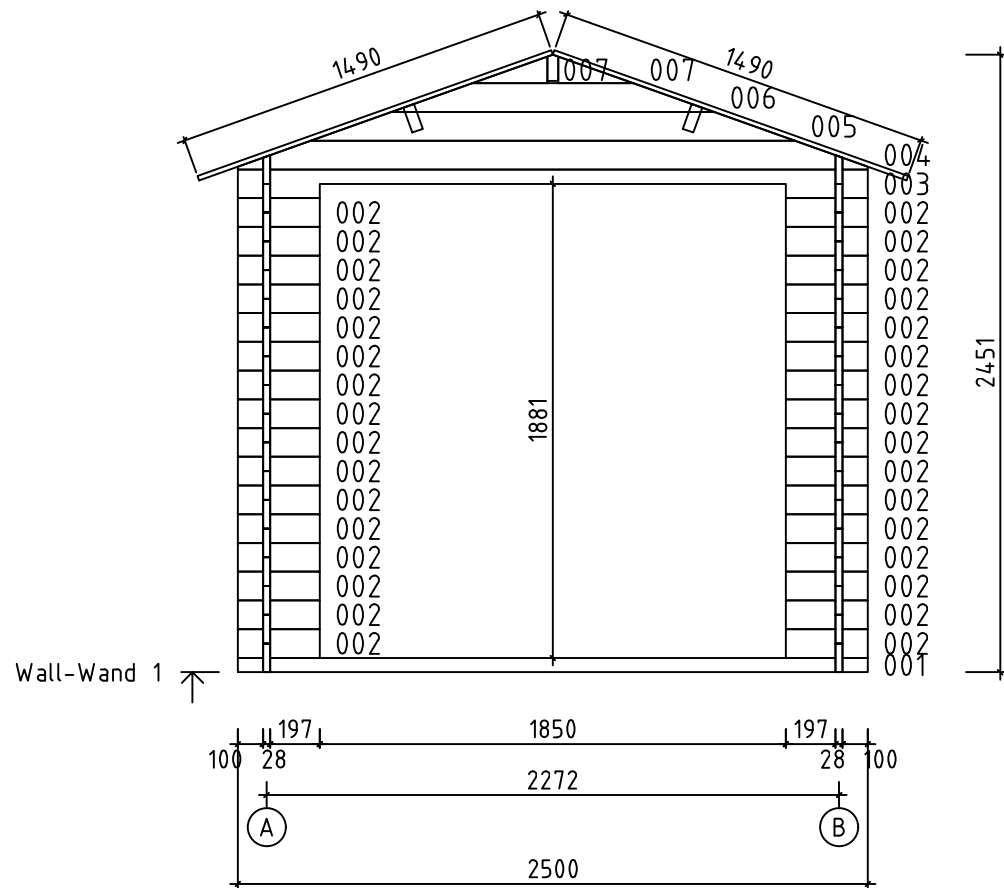
| POS | SPECIFICATION-STÜCKLIST-NOMENCLATURE-ELEMENTI-ESPECIFICACION Harald28 | QTY | PROFILE (mm) | LENGTH (mm) |
|----------|--|----------|-----------------|----------------|
| 001 |  | 2 | 28x57 | 2500 |
| 002 |  | 32 | 28x114 | 325 |
| 003 |  | 1 | 28x114 | 2500 |
| 008 |  | 17 | 28x114 | 2500 |
| 009 |  | 34 | 28x114 | 4000 |
| 010 |  | 2 | 28x114 | 4200 |
| W1-1 |  | 1 | | |
| W2-1 |  | 1 | | |
| PL1 |  PURLIN-DACHPFETTE-PANNE-ARCARECCIO-VIGUETA DE TEJADO | 2 | 44x144 | 4200 |
| PL2 |  PURLIN-DACHPFETTE-PANNE-ARCARECCIO-VIGUETA DE TEJADO | 1 | 44x144 | 4200 |
| DP1 | ROOF BOARD-DACHBRETT-MADRIER DU TOIT-TAVOLA TETTO-TABLA DE TEJADO  | 96 | 88x18 | 1490 |
| GB-1 | GABLE BOARD 120-GIEBELBLLENDE-PLANCHE DE RIVE-TAVOLA DI BORDO-TABLA DE BORDE  | 4 | 18x120 | 1530 |
| RL-1 | ROOFING LATH-GIEBELLEISTE-LATTE DE RIVE-LISTELLO DI BORDO-LISTONES DE BORDE  | 4 | 40x18 | 1530 |
| RL-2 | ROOFING LATH-GIEBELLEISTE-LATTE DE RIVE-LISTELLO DI BORDO-LISTONES DE BORDE  | 2 | 40x18 | 4200 |
| SS-1 | STORM SLAT KIT-STURMLEISTE SATZ-KIT DE LATTE ANTI TEMPÉTE-KIT LISTELLO DI TEMPESTA-KIT LISTON ANTI TORMENTA  | 4 | 18x40 | 2000 |
| D | DIAMOND-DECKBRETT-LOSANGE DE DECORATION-TAVOLA DI COPERTURA-ROMBO  | 2 | | |
| | DOUBLE DOOR KIT-TÜR SATZ-KIT DOUBLE PORTE-KIT PORTA-KIT PARA PUERTA  | 1 | | |
| | NAIL-NAGEL-CLOU-CHiodo-CLAVO 1.6x30  | 15 | 1.6x30 | |
| N 1.8x40 | NAIL-NAGEL-CLOU-CHiodo-CLAVO 1.8x40  | 520 | 1.8x40 | |
| | VENTILATION PANEL KIT-LÜFTUNGSGITTER KIT-PANNEAU DE VENTILATION-GRIGLIA DI VENTILAZIONE-REJILLA DE VENTILACION  | 1 | | |
| | | | | |
| | | | | |
| | | | | |
| Model | Harald28 | Material | Page | 1/2 |

| POS | SPECIFICATION-STÜCKLIST-NOMENCLATURE-ELEMENTI-ESPECIFICATION Harald28 | QTY | PROFILE (mm) | LENGTH (mm) |
|-----------------|---|------|-----------------|----------------|
| DD6 1 60X185 | <p style="text-align: center;">DOOR 1600x1850</p>  | 1 | | |
| | | | | |
| | | | | |
| | | | | |
| | | | | |
| | | | | |
| | | | | |
| | | | | |
| | | | | |
| | | | | |
| | | | | |
| | | | | |
| | | | | |
| | | | | |
| | | | | |
| | | | | |
| | | | | |
| | | | | |
| | | | | |
| | | | | |
| | | | | |
| Model Harald28 | Material | Page | 2/2 | |

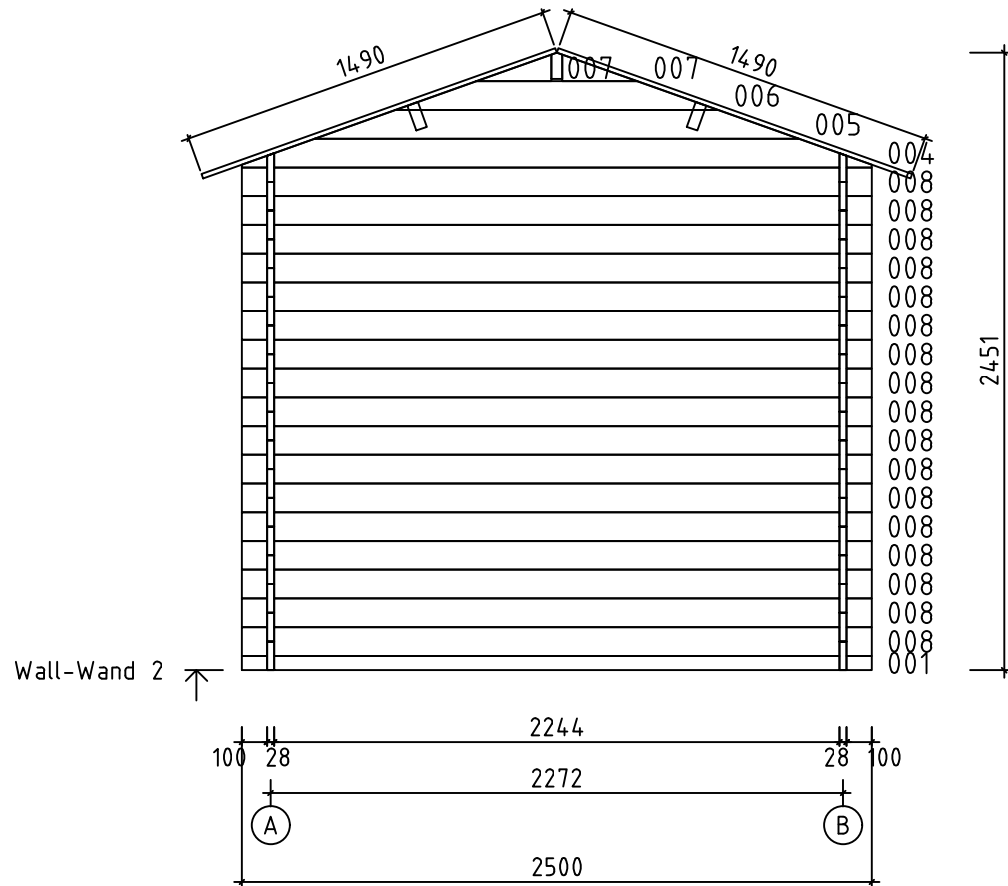
H = 1.600 m
 TOTAL: 8.40 m²



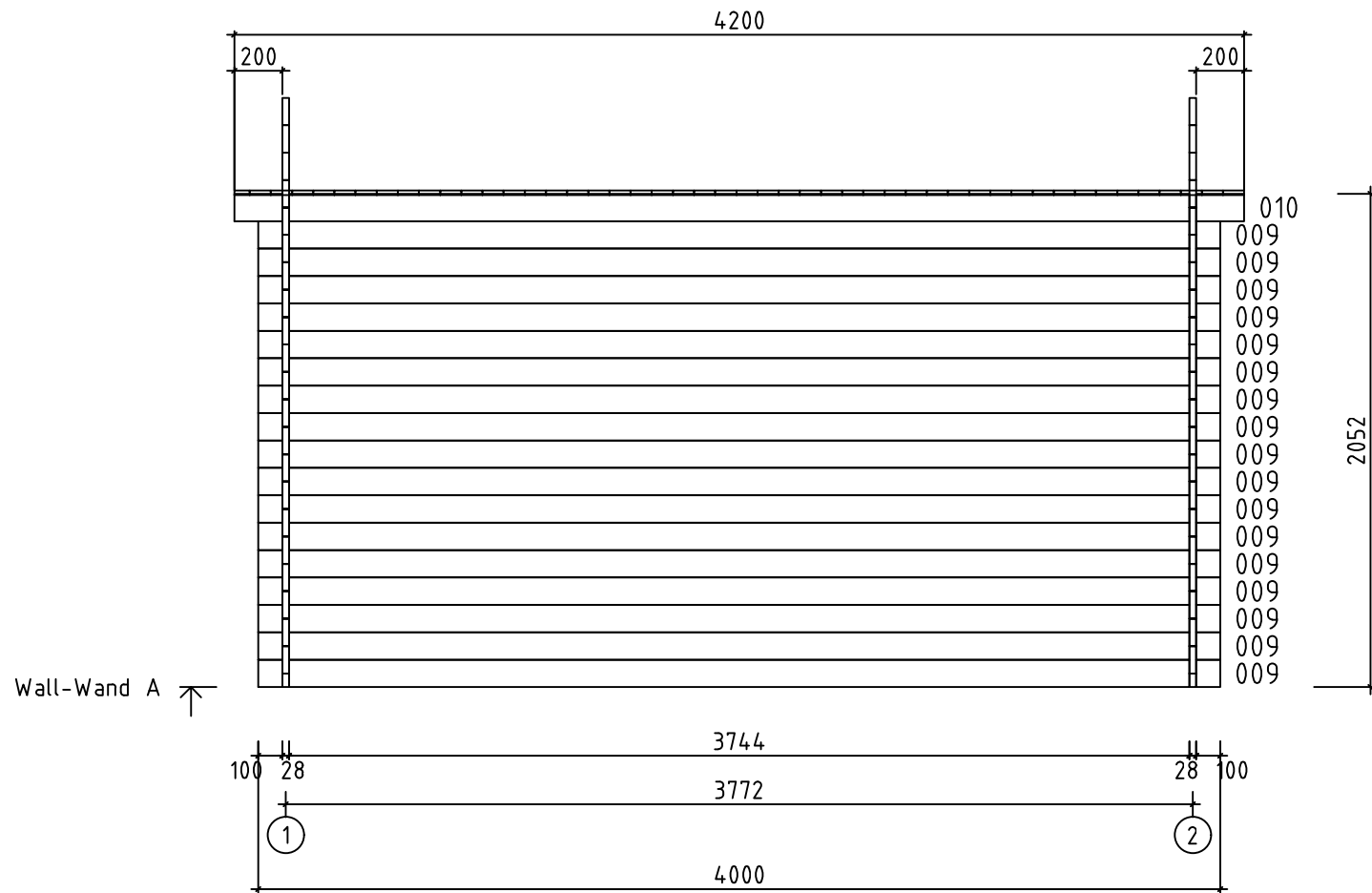
| | | |
|----------|--------------|-----------------|
| Model | Harald28 | Page |
| Drawing | PLAN | Scale 1:30 |
| Material | 28x114 | Date 05.02.2021 |
| File | Harald28.dwg | Drawn by |



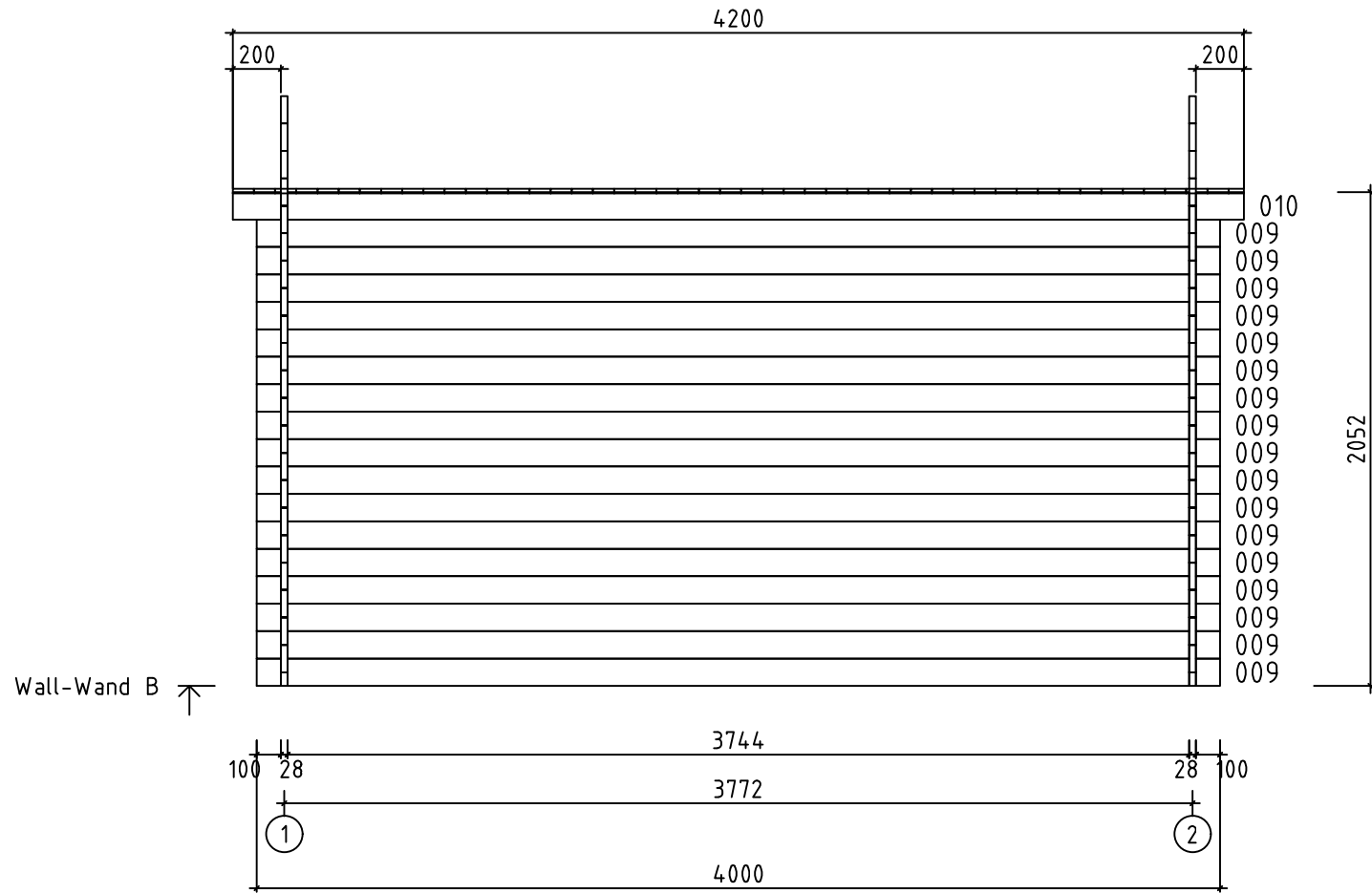
| | | | |
|----------|--------------|----------|------------|
| Model | Harald28 | Page | 5 |
| Drawing | WALL-WAND 1 | Scale | 1:30 |
| Material | 2.8x11.4 | Date | 05.02.2021 |
| File | Harald28.dwg | Drawn by | |




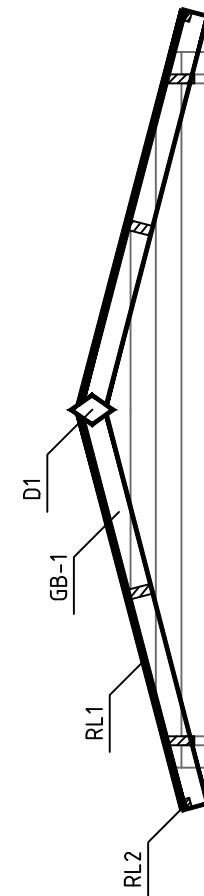
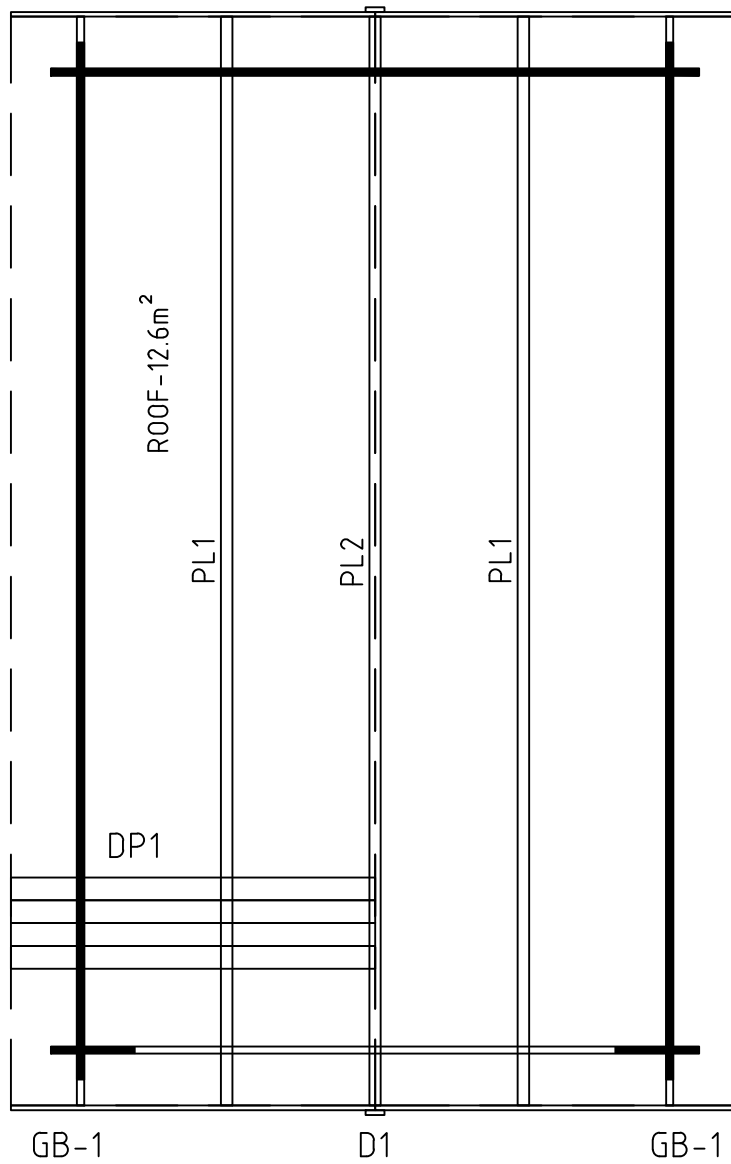
| | | | |
|----------|--------------|----------|------------|
| Model | Harald28 | Page | 6 |
| Drawing | WALL-WAND 2 | Scale | 1:30 |
| Material | 2.8x11.4 | Date | 05.02.2021 |
| File | Harald28.dwg | Drawn by | |




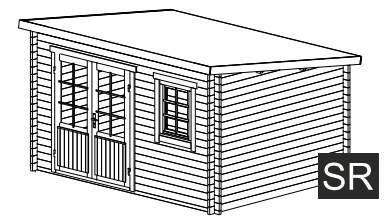
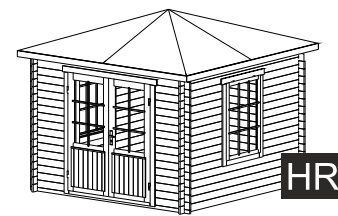
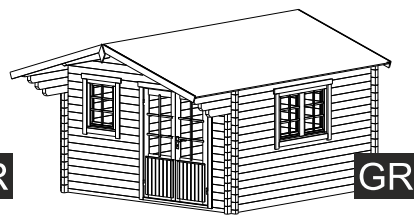
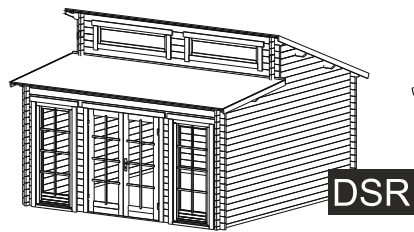
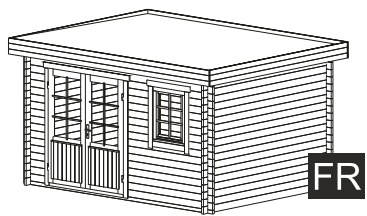
| | | | |
|----------|--------------|----------|------------|
| Model | Harald28 | Page | 3 |
| Drawing | WALL-WAND A | Scale | 1:30 |
| Material | 2.8x11.4 | Date | 05.02.2021 |
| File | Harald28.dwg | Drawn by | |



| | | | | |
|---|----------|--------------|----------|------------|
|  | Model | Harald28 | Page | 4 |
| | Drawing | WALL-WAND B | Scale | 1:30 |
| | Material | 2.8x11.4 | Date | 05.02.2021 |
| | File | Harald28.dwg | Drawn by | |



| | | | |
|---|----------|--------------|-----------------|
|  | Model | Harald28 | Page |
| | Drawing | ROOF | Scale 1:30 |
| | Material | 28x114 | Date 05.02.2021 |
| | File | Harald28.dwg | Drawn by |



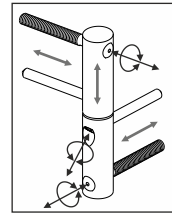
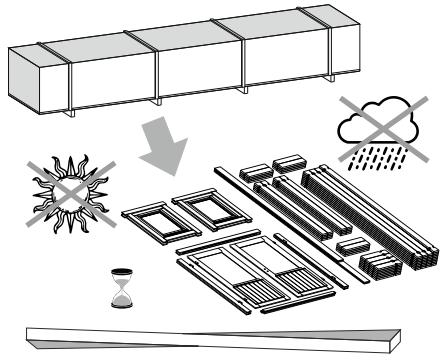
FR

DSR

GR

HR

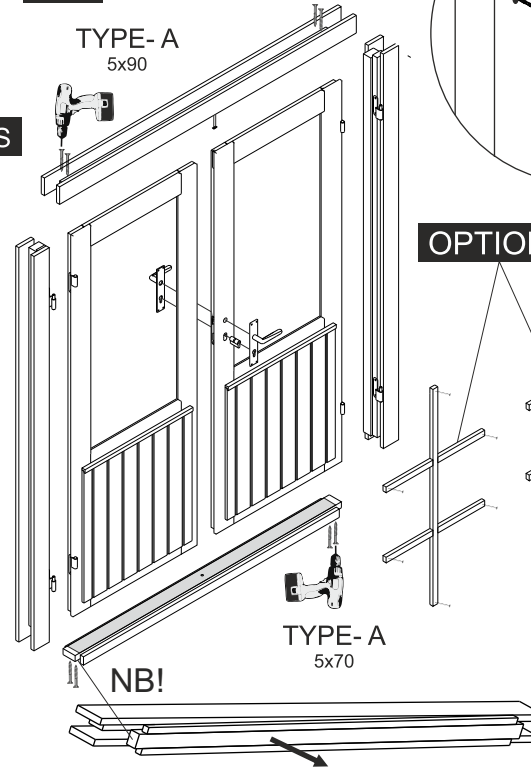
SR



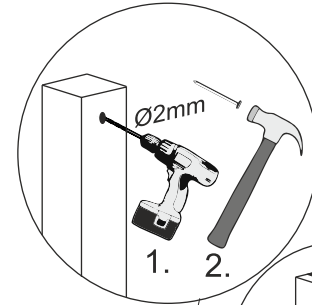
ADJUSTABLE HINGES

3.

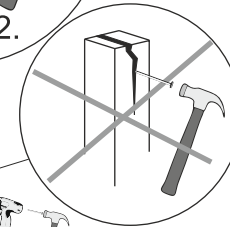
TYPE-A
5x90



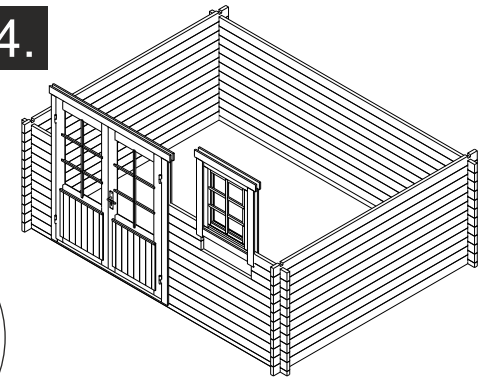
OPTIONS



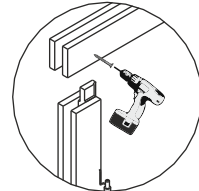
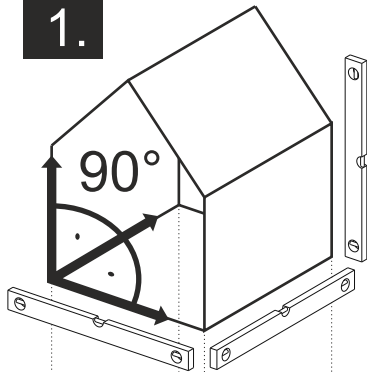
1. 2.



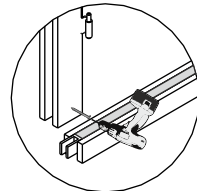
4.



1.

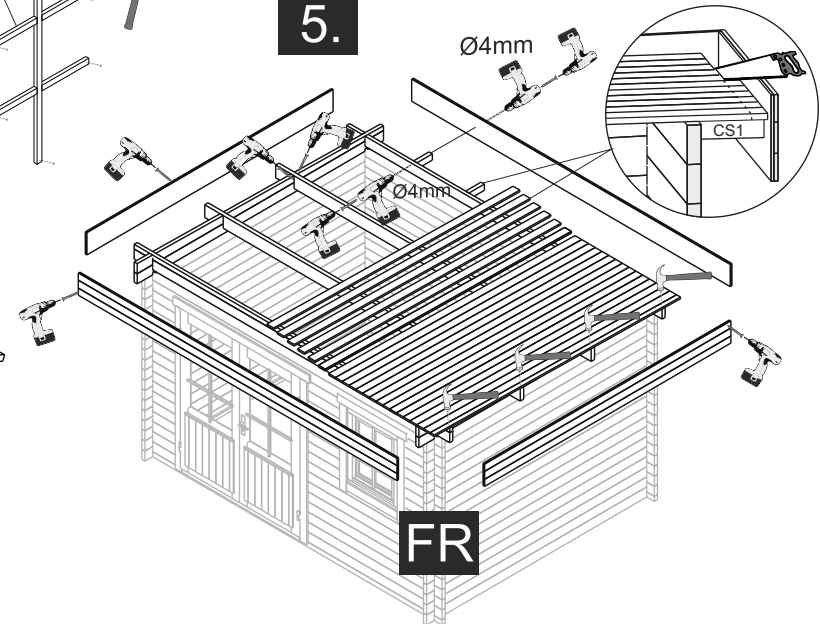


TYPE-B
4x60



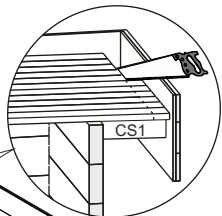
5.

OPTIONS

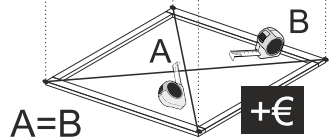


Ø4mm

Ø4mm



FR



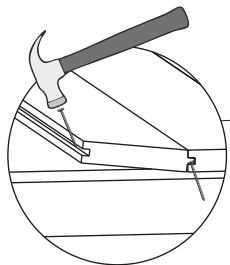
+€

NB!

TYPE-A
5x70

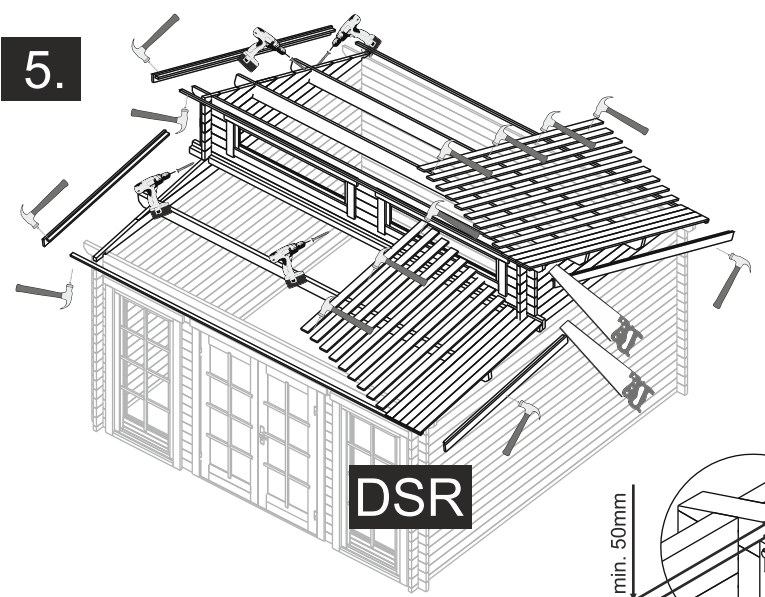
OPTIONS

2.

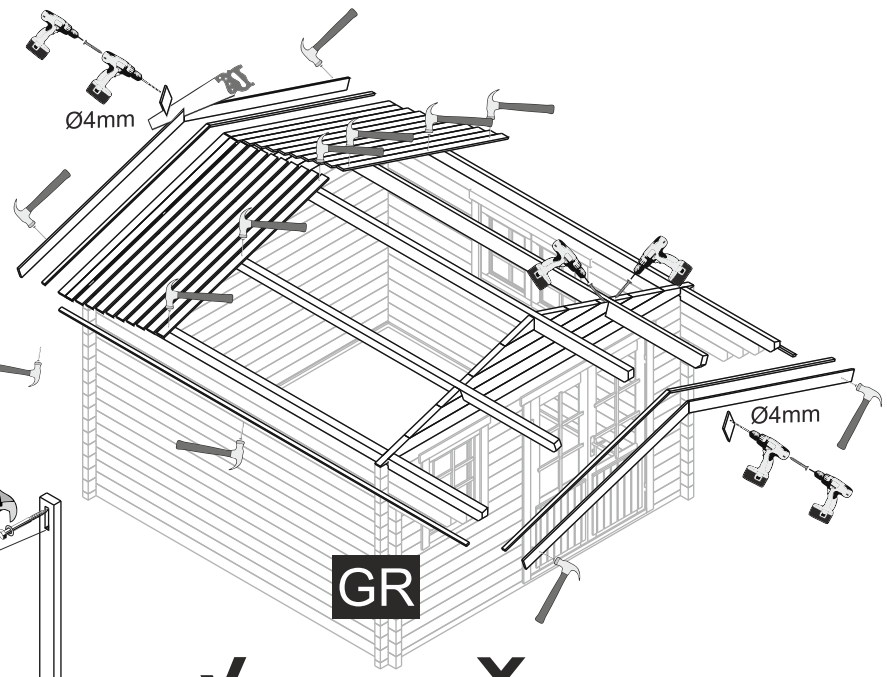


The guide is illustrative. This guide is not project specification.
Der Leitfaden ist illustrativ. Dieser Leitfaden ist keine Projektspezifikation.
De gids is illustratief. Deze gids is geen projectspecificatie.

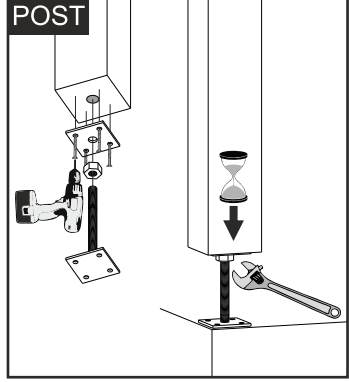
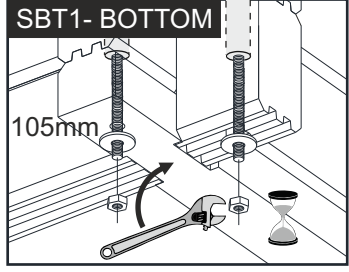
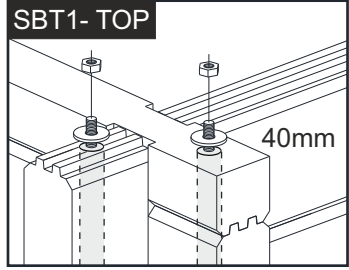
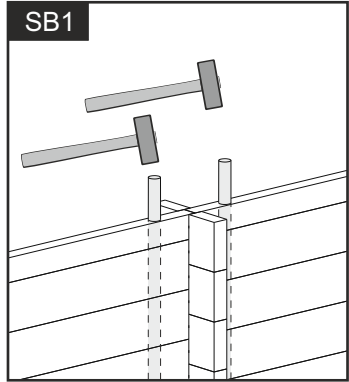
5.



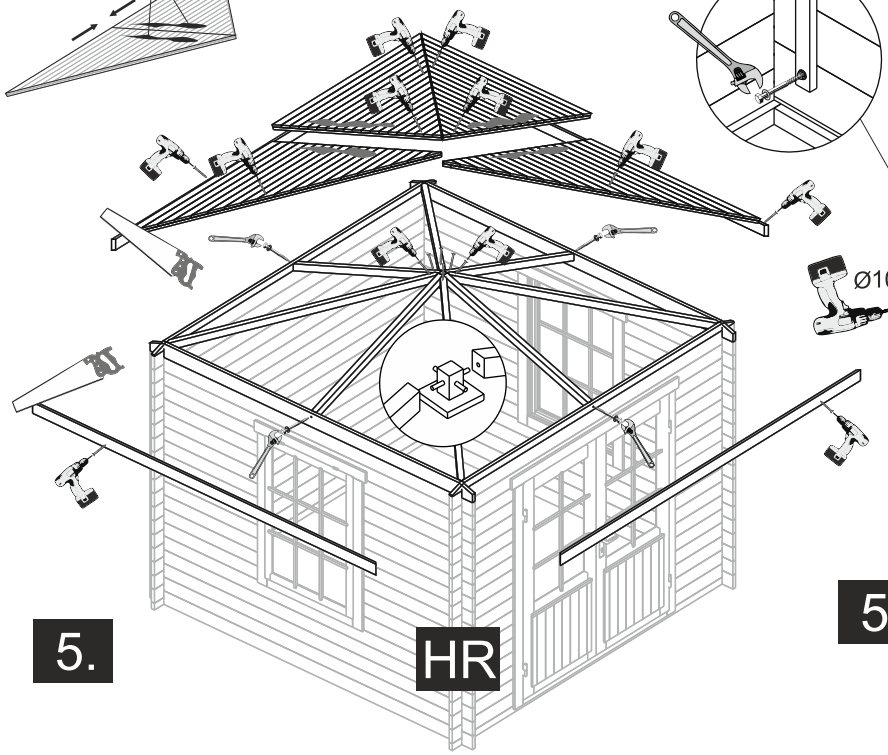
5.



OPTIONS

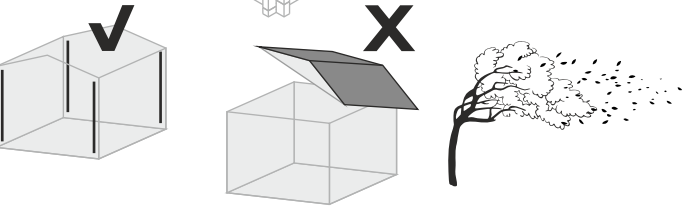
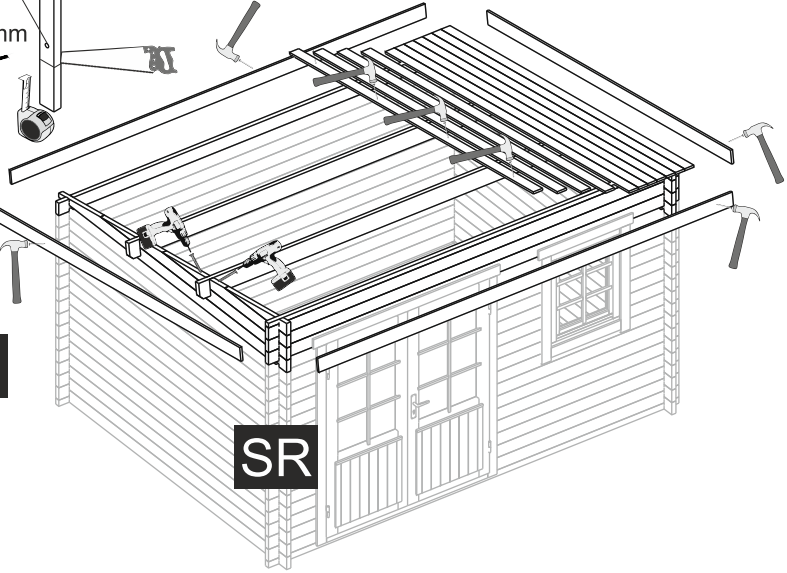


NB!



5.

5.



OPTIONS-STORM BRACES