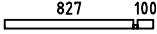
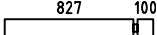
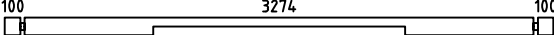
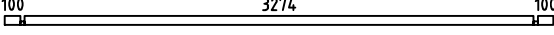
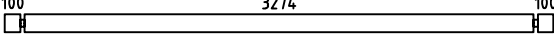
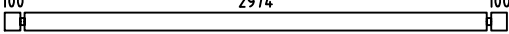
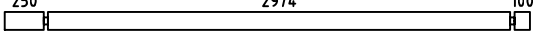
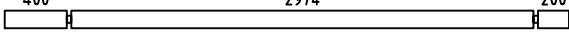
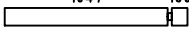
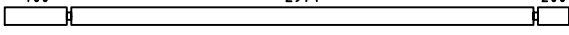
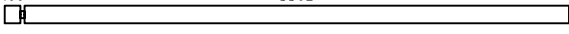
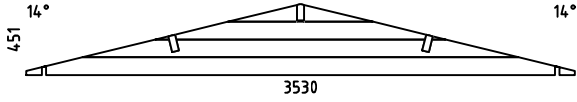
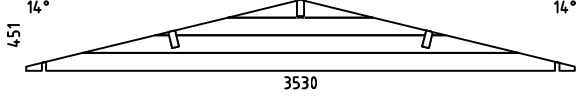


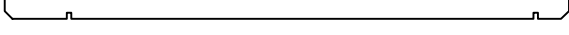
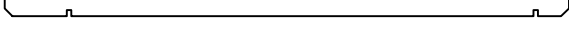
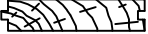
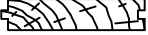

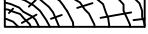


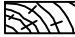
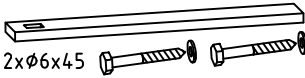

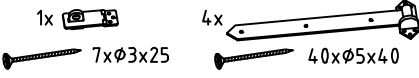
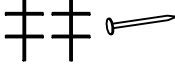




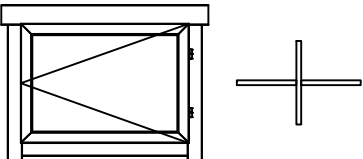
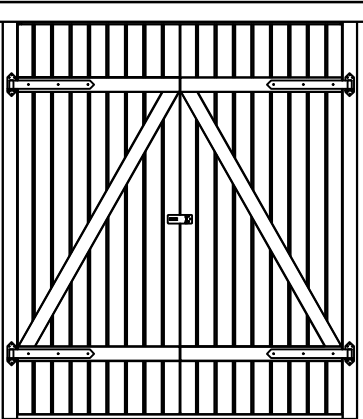
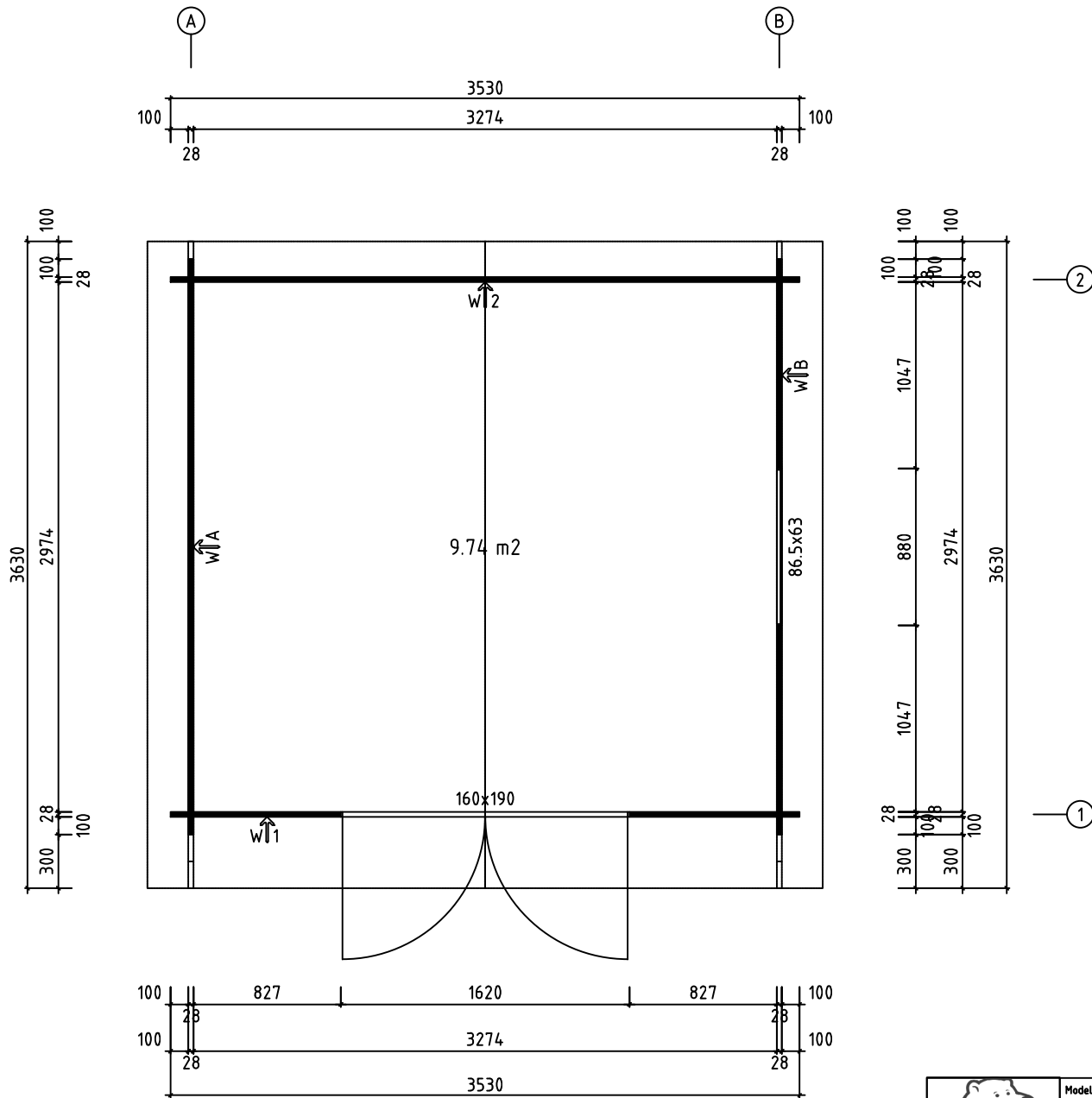


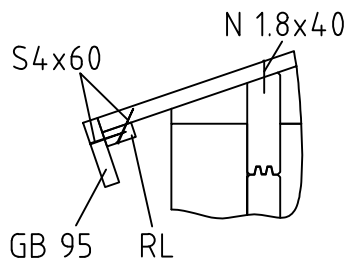
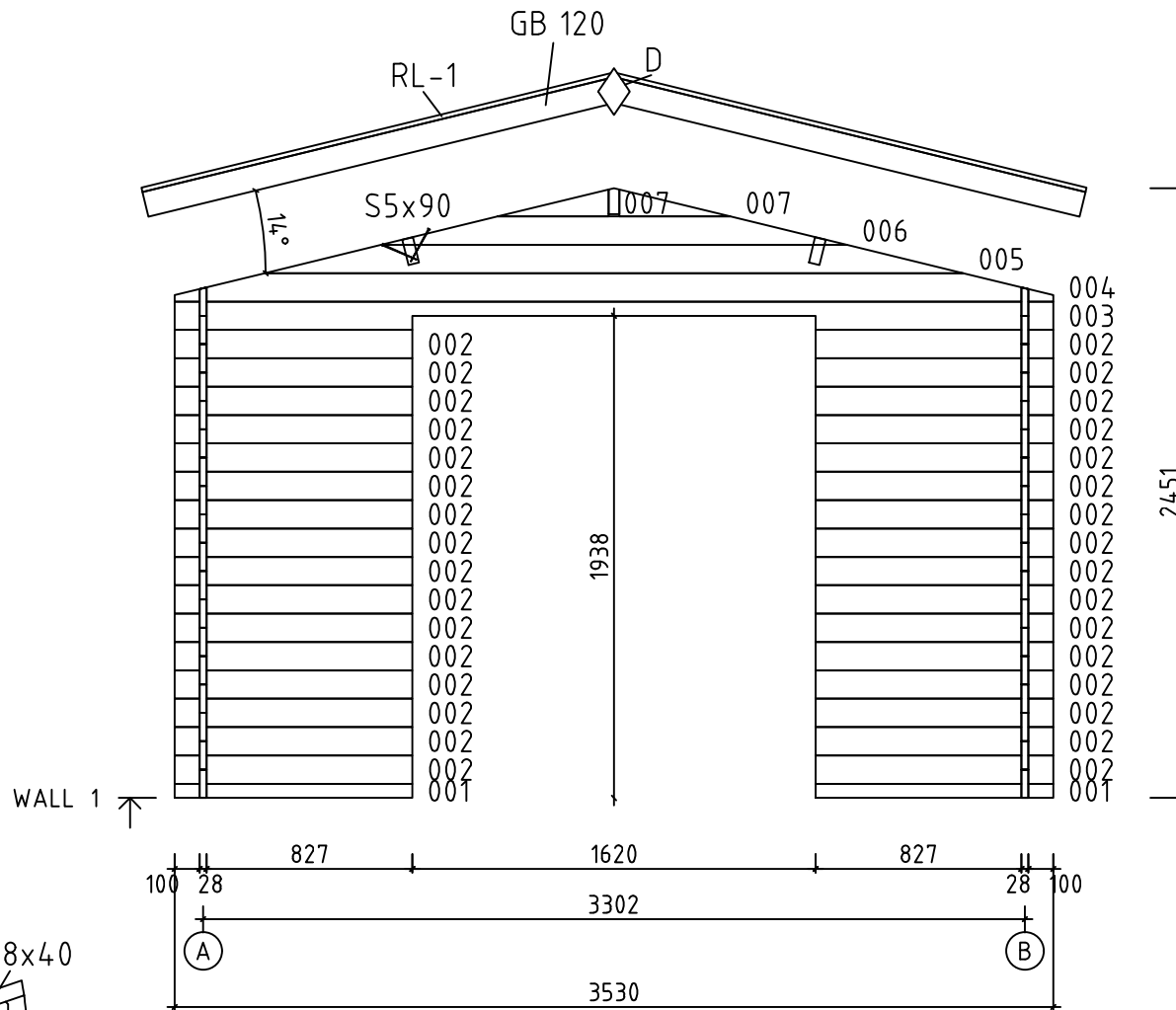
Berit28


| POS | SPECIFICATION Berit28 | QTY | PROFILE (mm) | LENGTH (mm) |
|-------|--|----------|-----------------|----------------|
| 001 |  | 2 | 28x57 | 955 |
| 002 |  | 32 | 28x114 | 955 |
| 003 |  | 1 | 28x114 | 3530 |
| 008 |  | 1 | 28x57 | 3530 |
| 009 |  | 17 | 28x114 | 3530 |
| 010 |  | 26 | 28x114 | 3230 |
| 011 |  | 2 | 28x114 | 3380 |
| 012 |  | 1 | 28x114 | 3630 |
| 013 |  | 12 | 28x114 | 1175 |
| 014 |  | 1 | 28x114 | 3630 |
| EXTRA |  | 1 | 28x114 | 3630 |
| W1-1 |  | 1 | | |
| W2-1 |  | 1 | | |
| F2 | FOUNDATION-GOLVJÄLKE-FUNDAMENT-FONDATION  | 6 | 44x90 | 3232 |
| F1 | FOUNDATION-GOLVJÄLKE-FUNDAMENT-FONDATION  | 2 | 44x90 | 3020 |
| PL1 | PURLIN-TAKBALK-DACHPFETTE-PANNE 400 2974 200  | 2 | 44x144 | 3630 |
| PL2 | PURLIN-TAKBALK-DACHPFETTE-PANNE 400 2974 200  | 1 | 44x144 | 3630 |
| F-1 | FLOOR BOARD-GOLVBRÄDA-FUSSBODENBRETT-LAME DE PLANCHER  | 38+1 | 88x18 | 2964 |
| R-1 | ROOF BOARD-TAKBRÄDA-DACHBRETT-VOLIGE  | 84+1 | 88x18 | 1950 |
| FLB-1 | FLOOR BEADING-GOLVLIST-FUSSBODENLEISTE-MOULURE DE FINITION 18x40x3000  | 5 | 18x40 | 15 rmt. |
| GB-1 | GABLE BOARD 95-GAVELBRÄDA-GIEBELBLENDE-PLANCHE DE RIVE  | 2 | 18x95 | 3630 |
| Model | Berit28 | Material | Page 1/2 | |

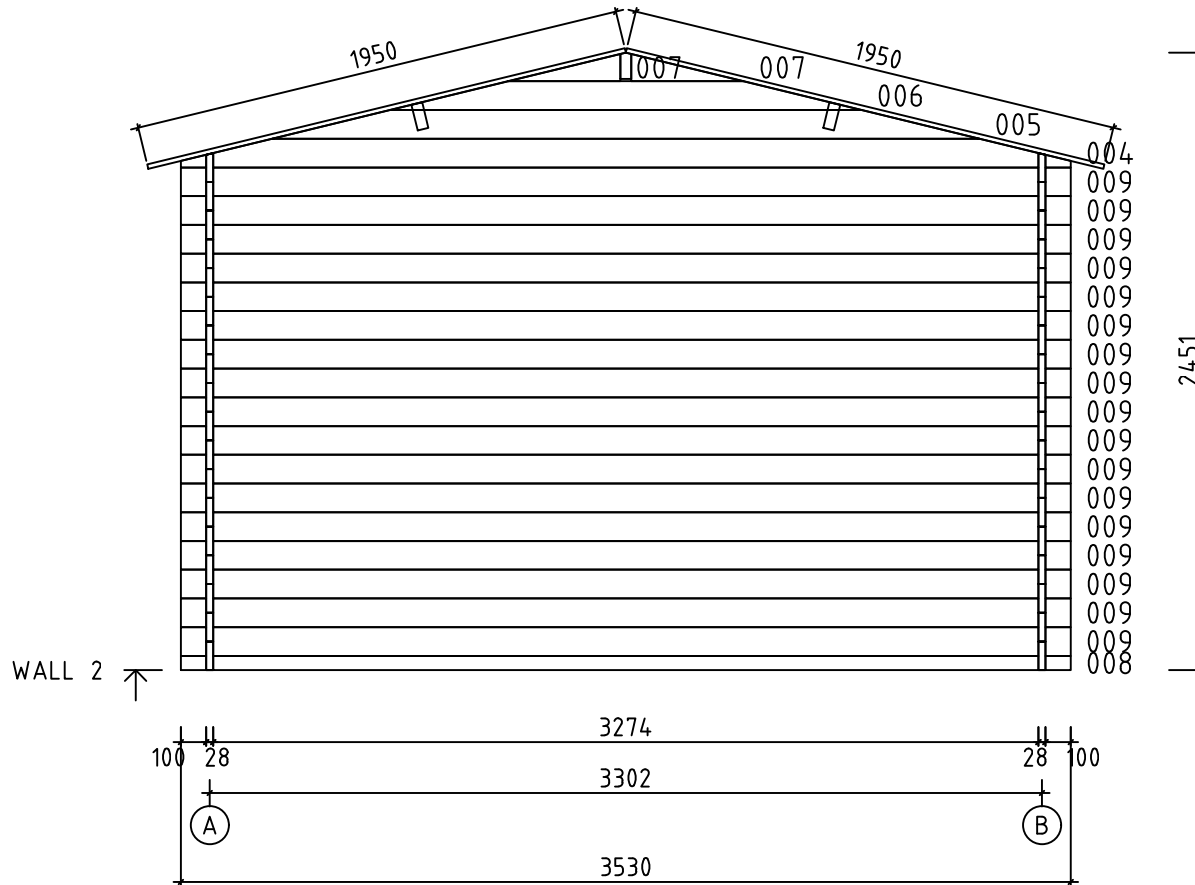
| POS | SPECIFICATION Berit28 | | QTY | PROFILE (mm) | LENGTH (mm) |
|----------|--|---|------|-----------------|----------------|
| GB-1 | GABLE BOARD 120-GAVELBRÄDA-GIEBELLENDE-PLANCHE DE RIVE |  | 4 | 18x120 | 1990 |
| RL-1 | ROOFING LATH-TAKLÄKT-GIEBELLEISTE-LATTE DE RIVE |  | 4 | 40x18 | 1990 |
| RL-2 | ROOFING LATH-TAKLÄKT-GIEBELLEISTE-LATTE DE RIVE |  | 2 | 40x18 | 3630 |
| SS-1 | STORM SLAT KIT-STORMSÄKRINGSLIST-STURMLEISTE SATZ-KIT DE LATTE ANTI TEMPÊTE |  | 4 | 18x40 | 2000 |
| D | DIAMOND-DIAMANT-DECKBRETT-LOSANGE DE DECORATION |  | 2 | | |
| | DOUBLE DOOR KIT-DUBBELDÖRR BESLAG-TÜR SATZ- KIT DOUBLE PORTE |  | 1 | | |
| | NAIL 1.6x30-SPIK-NAGEL-CLOU |  | 6 | 1.6x30 | |
| N 1.8x40 | NAIL 1.8x40-SPIK-NAGEL-CLOU |  | 530 | 1.8x40 | |
| S4x60 | SCREW 4x60-SKRUV-SCHRAUBE-VIS |  | 60 | 4x60 | |
| S5x90 | SCREW 5x90-SKRUV-SCHRAUBE-VIS |  | 12 | 5x90 | |
| S6x120 | SCREW 6x120-SKRUV-SCHRAUBE-VIS |  | 25 | 6x120 | |
| | WINDOW 865x650 W0-4T 865x650-28 R |  | 1 | | |
| | DOOR 1600x1900 DDL F 1600x1900-28 |  | 1 | | |
| | | | | | |
| | | | | | |
| | | | | | |
| Model | Berit28 | Material | Page | 2/2 | |



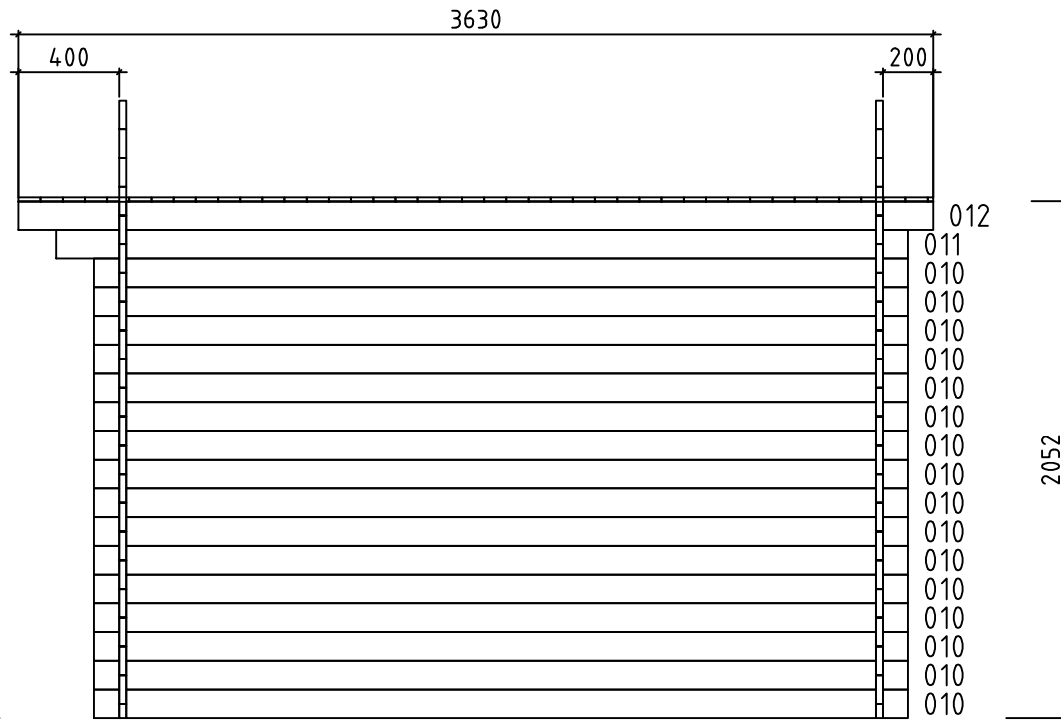
| | | |
|----------|-------------|-----------------|
| Model | Berit28 | Page |
| Drawing | PLAN | Scale 1:30 |
| Material | 28x114 | Date 05.05.2022 |
| File | Berit28.dwg | Drawn by |



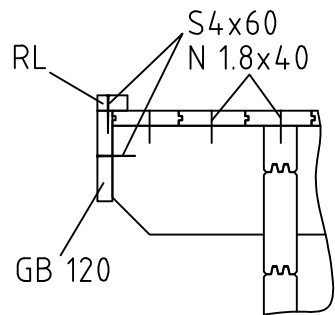
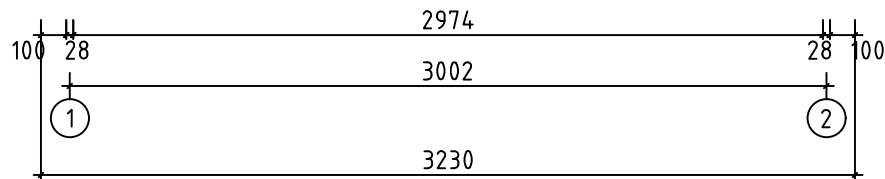
| | | | | |
|---|----------|-------------|----------|------------|
|  | Model | Berit28 | Page | 5 |
| | Drawing | WALL 1 | Scale | 1:30 |
| | Material | 2.8x11.4 | Date | 05.05.2022 |
| | File | Berit28.dwg | Drawn by | |



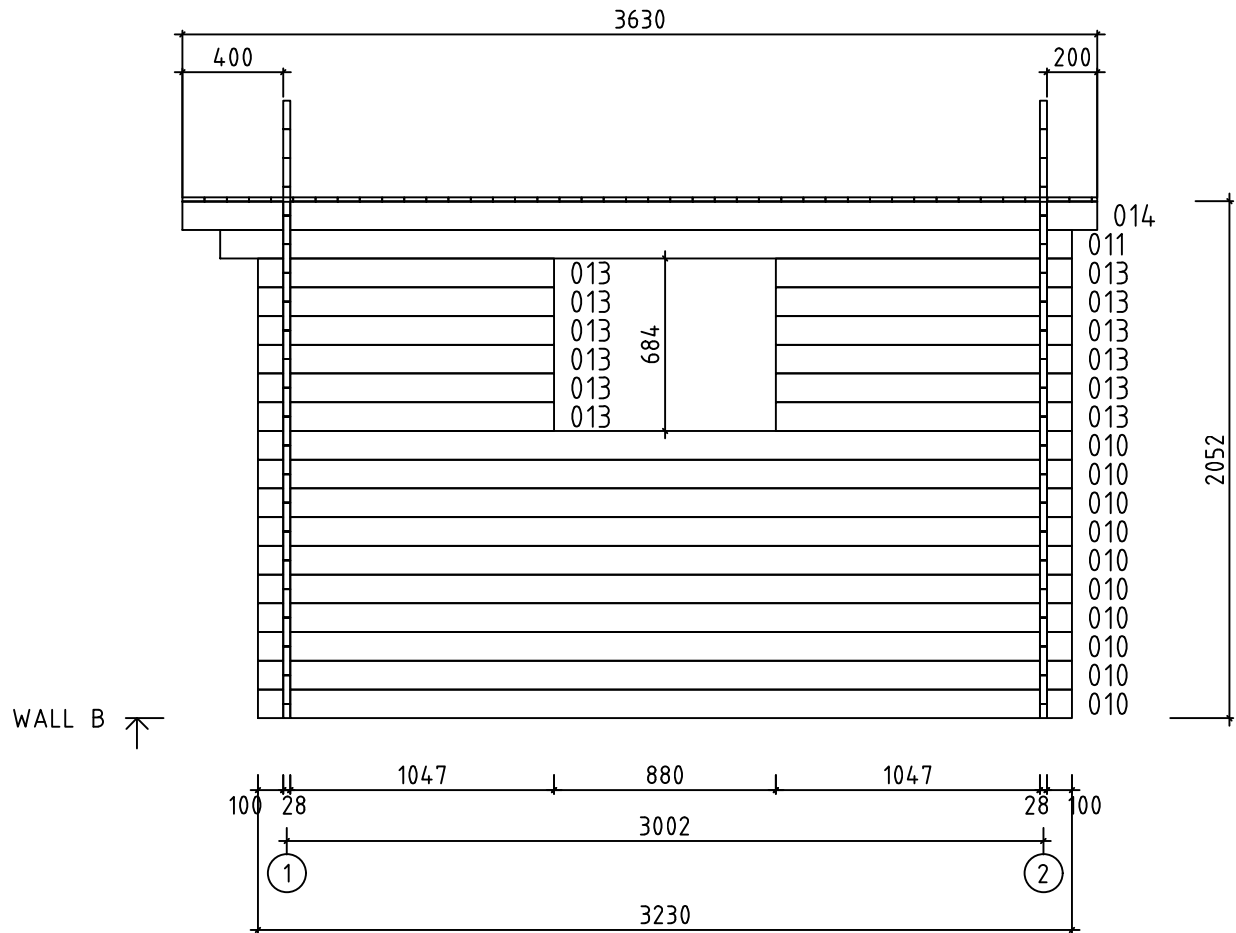
| | | | |
|----------|-------------|----------|------------|
| Model | Berit28 | Page | 6 |
| Drawing | WALL 2 | Scale | 1:30 |
| Material | 2.8x11.4 | Date | 05.05.2022 |
| File | Berit28.dwg | Drawn by | |



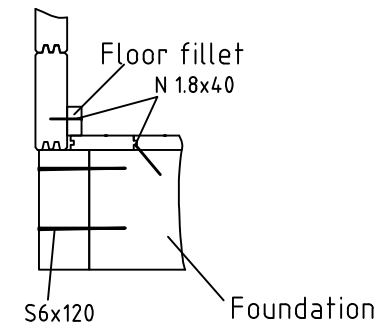
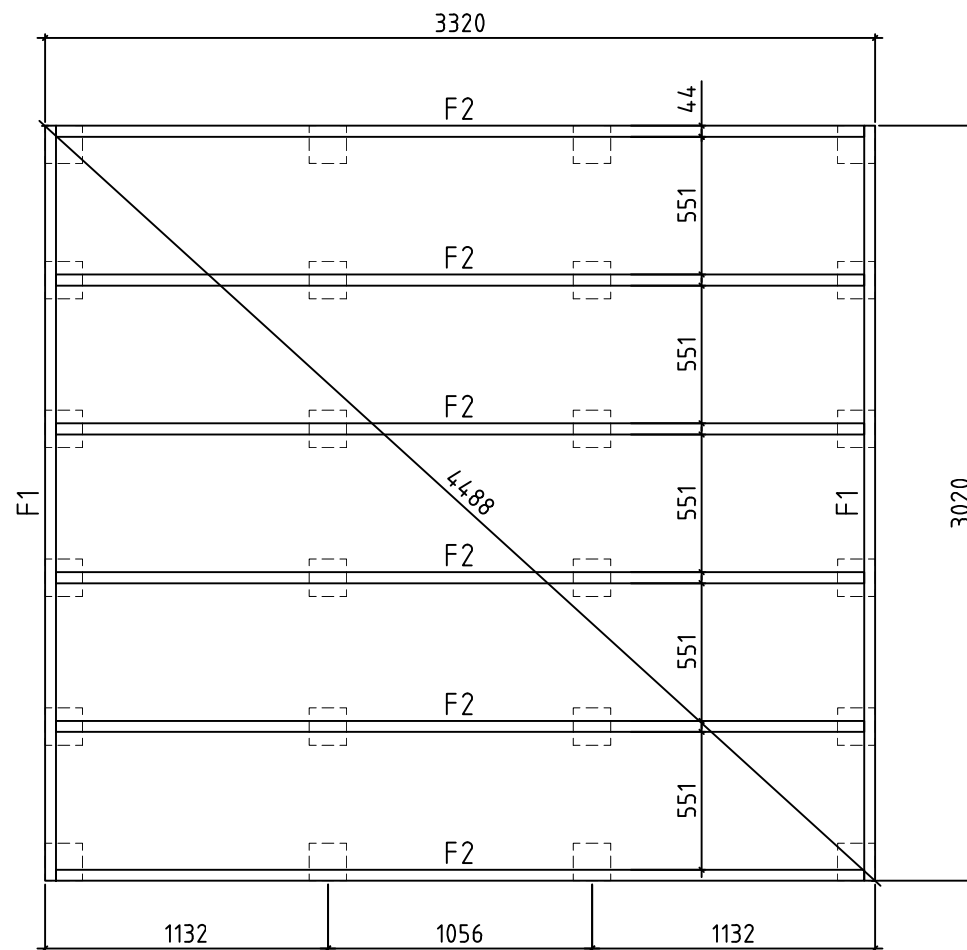
WALL A ↗




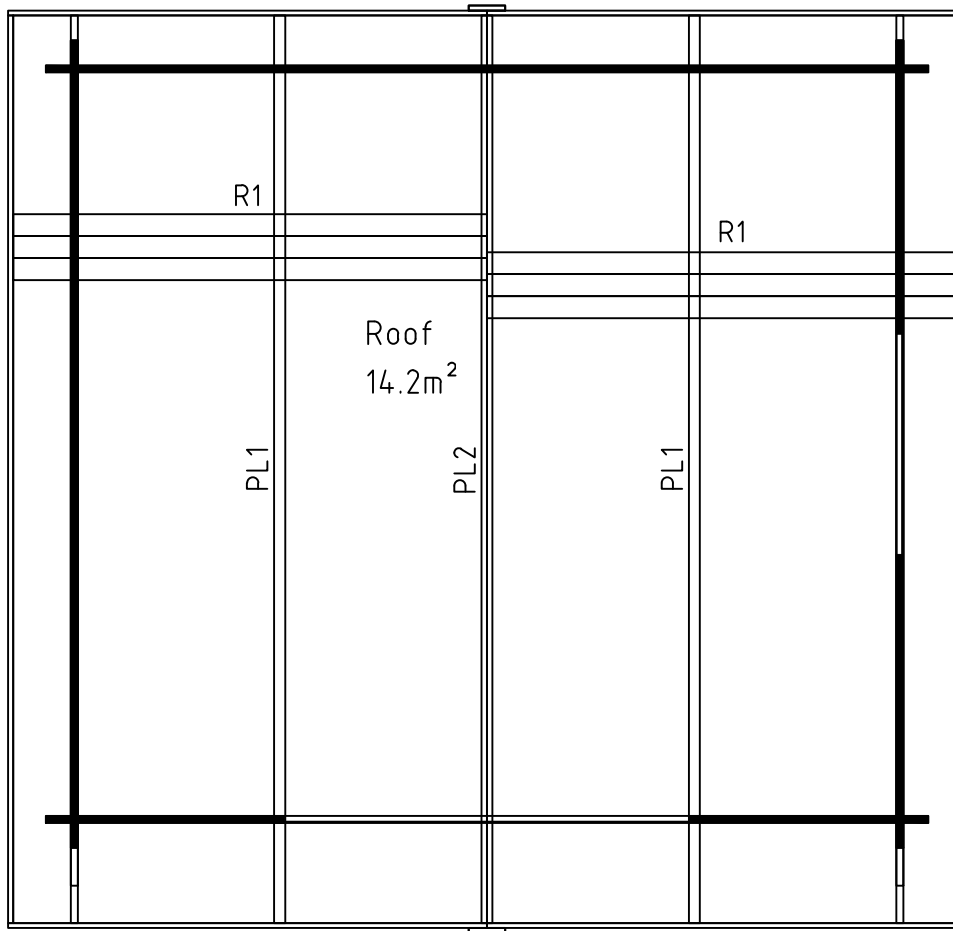
| | | | |
|----------|-------------|----------|------------|
| Model | Berit28 | Page | 3 |
| Drawing | WALL A | Scale | 1:30 |
| Material | 2.8x11.4 | Date | 05.05.2022 |
| File | Berit28.dwg | Drawn by | |



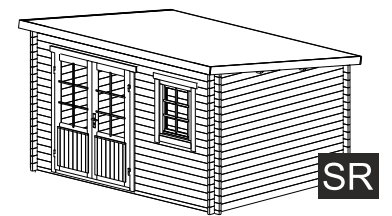
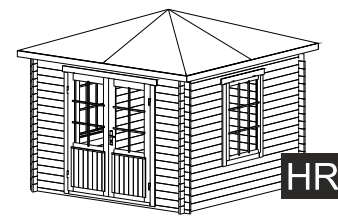
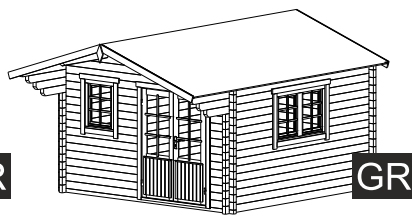
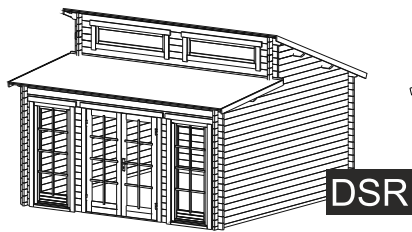
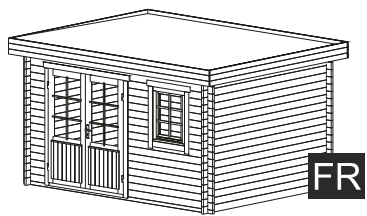
| | | | |
|----------|-------------|----------|------------|
| Model | Berit28 | Page | 4 |
| Drawing | WALL B | Scale | 1:30 |
| Material | 2.8x11.4 | Date | 05.05.2022 |
| File | Berit28.dwg | Drawn by | |



| | | | |
|---|----------|------------------------|-----------------|
|  | Model | Berit28 | Page |
| | Drawing | FOUNDATION-PLINTH PLAN | Scale 1:30 |
| | Material | 28x114 | Date 05.05.2022 |
| | File | Berit28.dwg | Drawn by |



| | | |
|----------|-------------|-----------------|
| Model | Berit28 | Page |
| Drawing | ROOF | Scale 1:30 |
| Material | 28x114 | Date 05.05.2022 |
| File | Berit28.dwg | Drawn by |



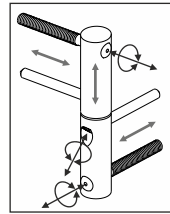
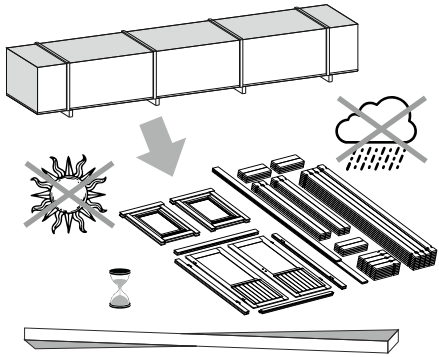
FR

DSR

GR

HR

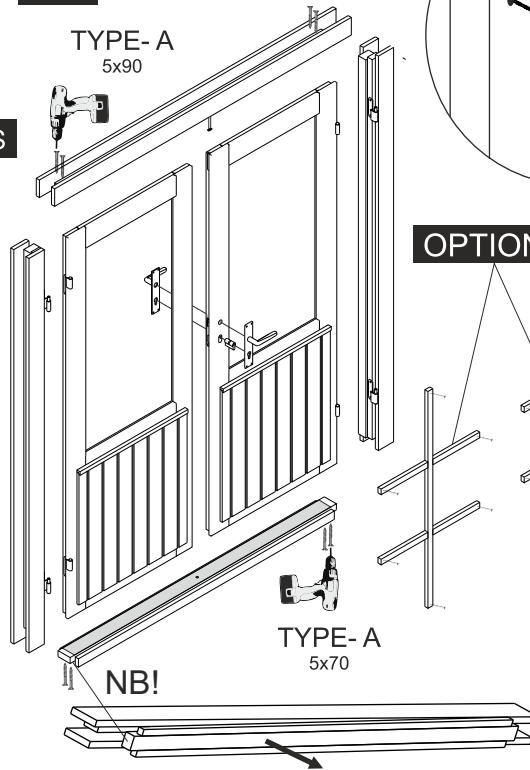
SR



ADJUSTABLE HINGES

3.

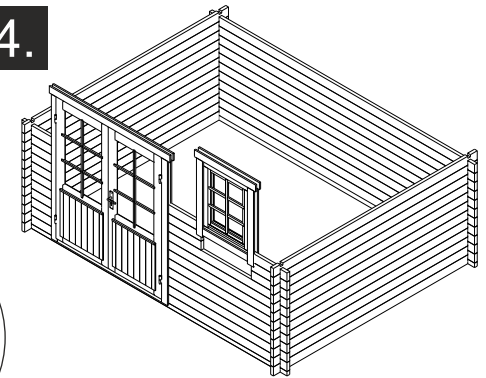
TYPE- A
5x90



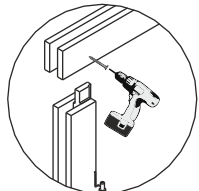
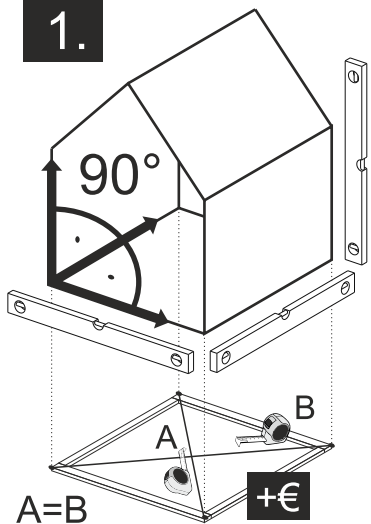
OPTIONS

1. 2.

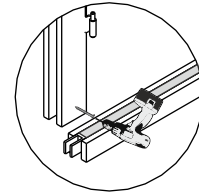
4.



1.



TYPE- B
4x60

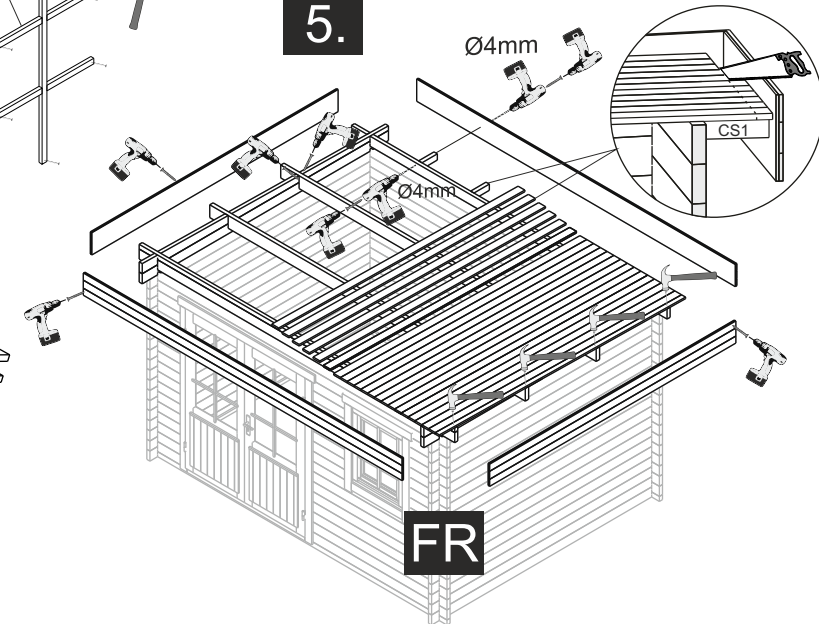


TYPE- A
5x70

NB!

5.

OPTIONS



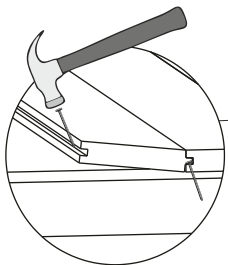
Ø4mm

Ø4mm

CS1

FR

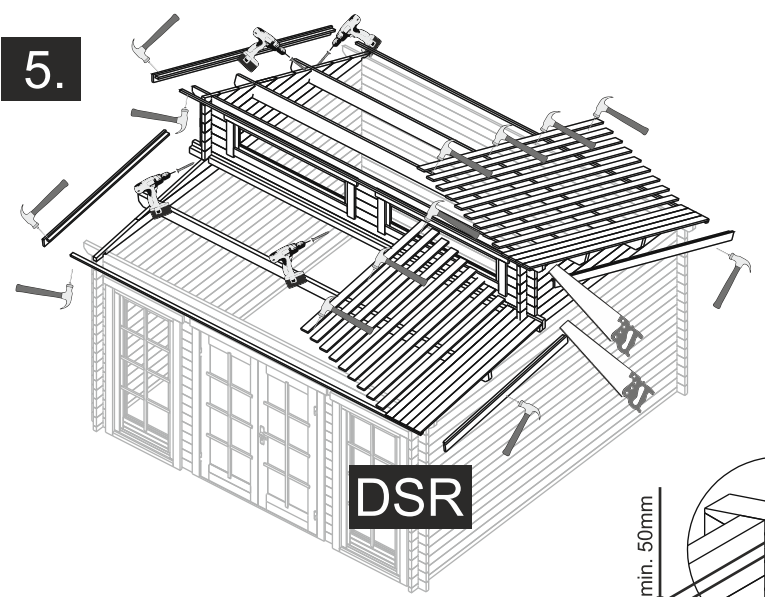
2.



OPTIONS

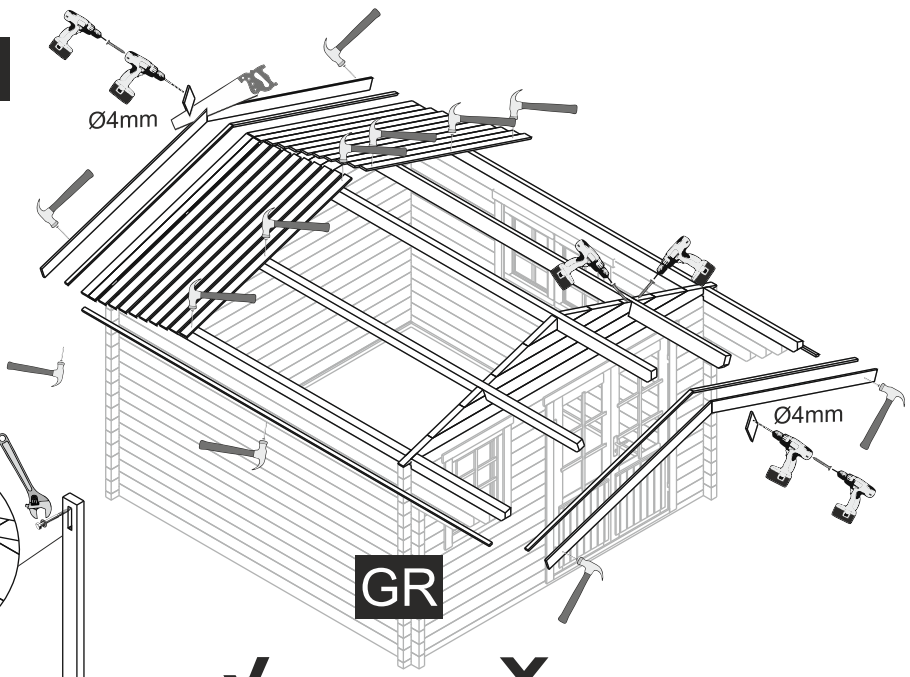
The guide is illustrative. This guide is not project specification.
Der Leitfaden ist illustrativ. Dieser Leitfaden ist keine Projektspezifikation.
De gids is illustratief. Deze gids is geen projectspecificatie.

5.



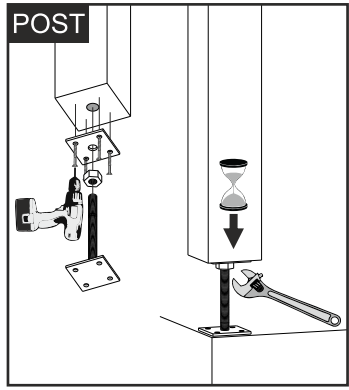
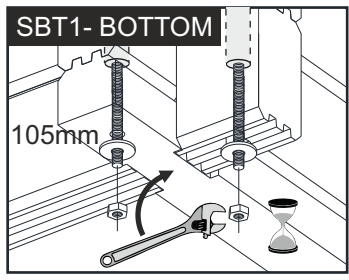
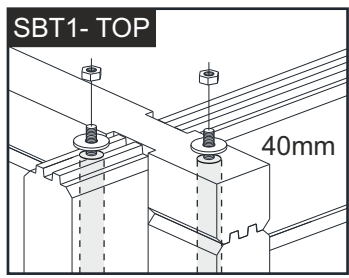
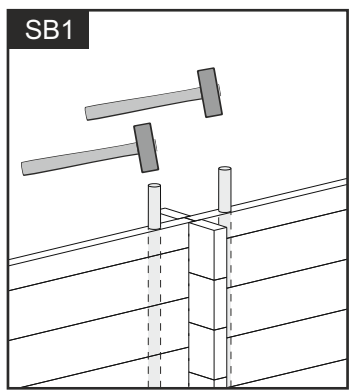
DSR

5.

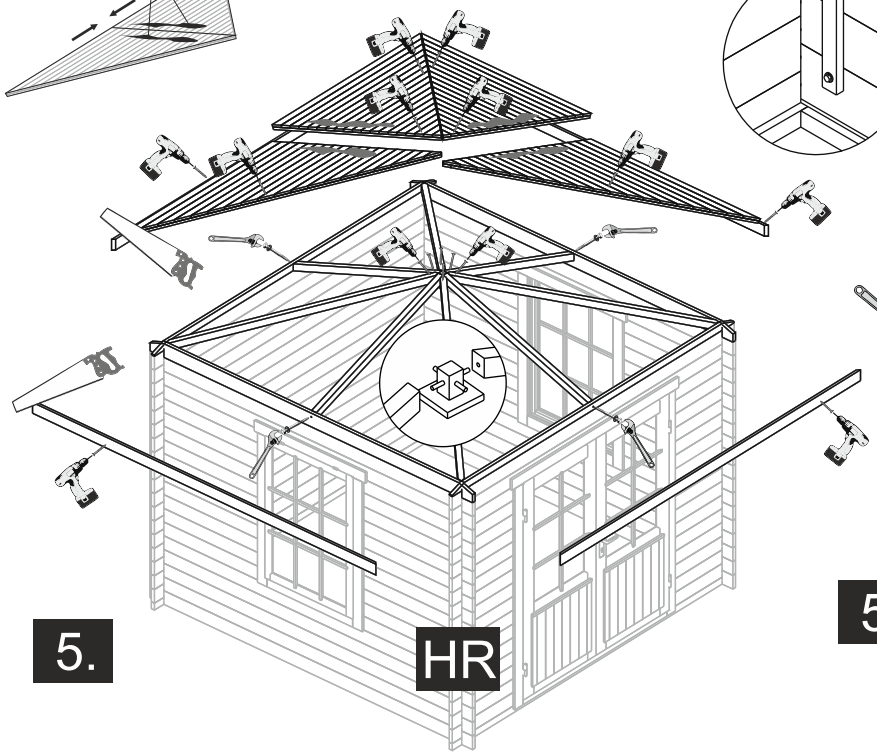


GR

OPTIONS

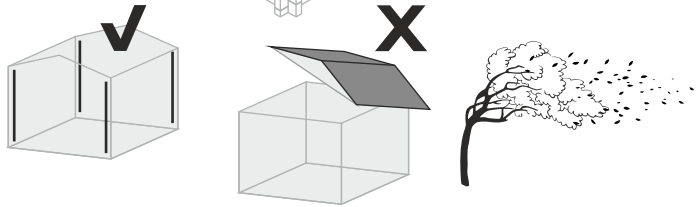
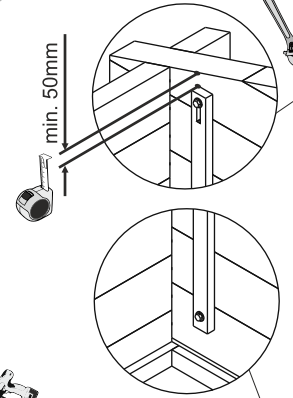


NB!



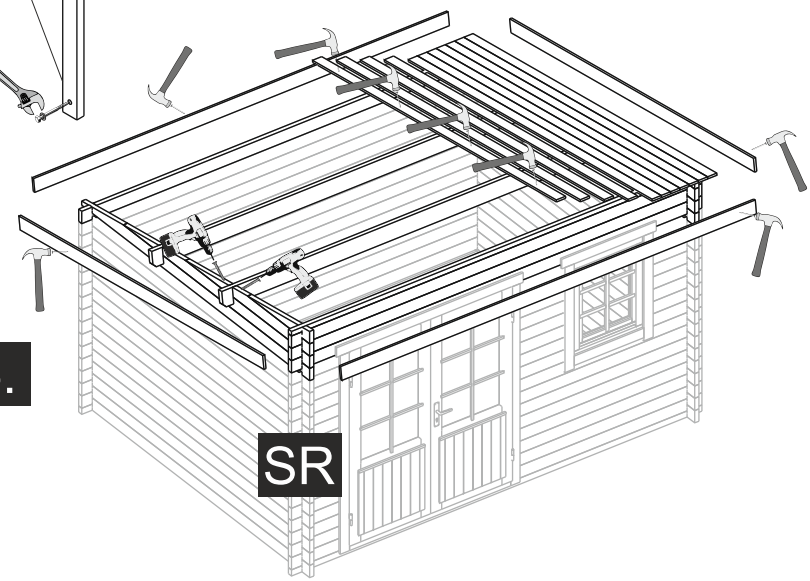
HR

5.



OPTIONS-STORM BRACES

5.



SR