

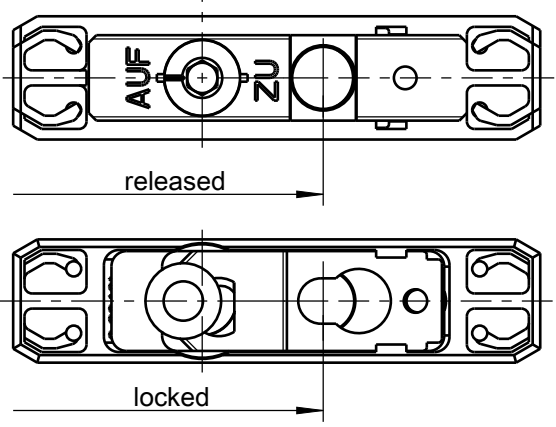
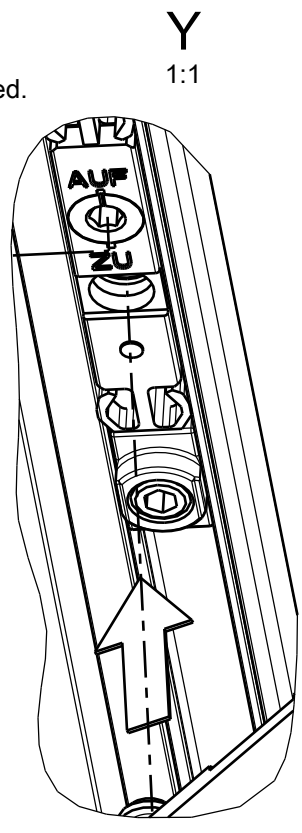
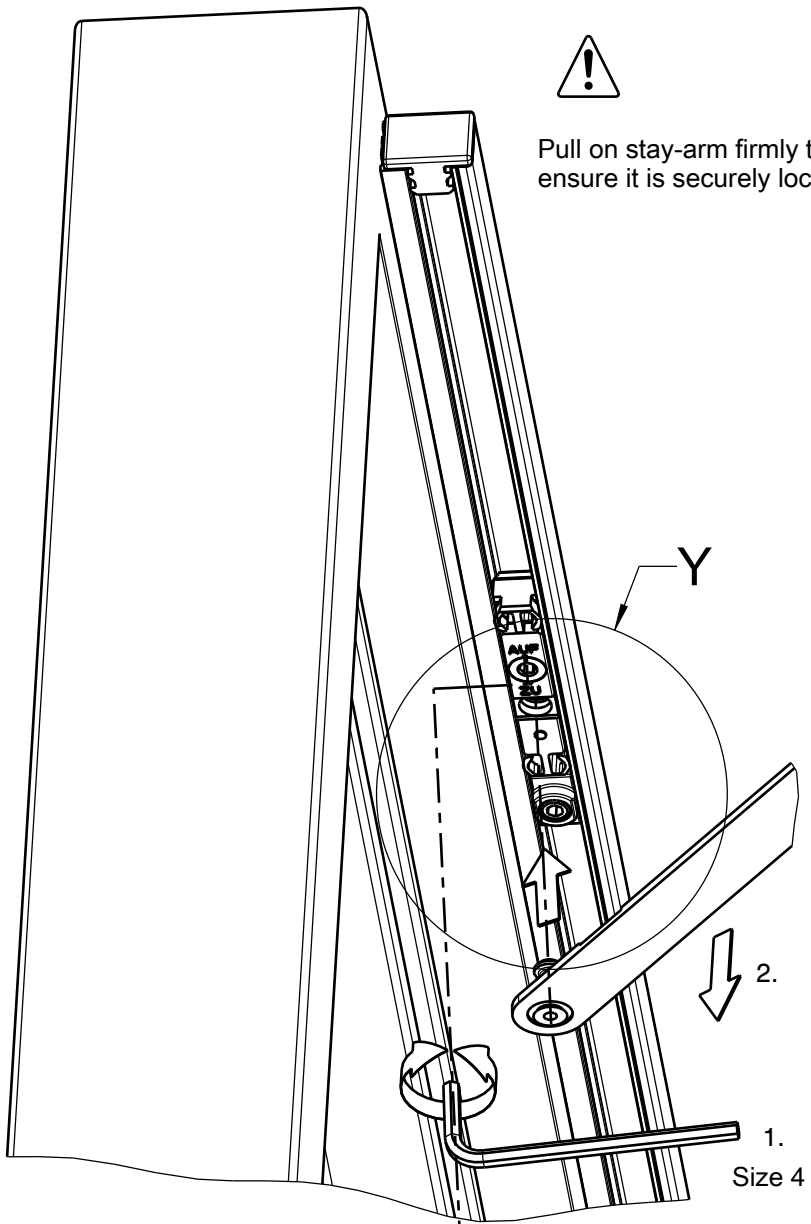
Sprache
EN, FR, ES, RU, SL

Description:
Installation, operating and maintenance instructions
Tilt&Slide hardware GU-966 oZ Timber

V8	GU	Date	Change No.	Sig	Ver.	Replacement for	Revision:	Iteration:	Level:	Scale	Drawing No.	Size	Sheet
		31.03.2022	G39780	Ja	De	--	2	2	Released	%	0-49309-BK-0-EN	A4	1/12

The documents accompanying the product were issued when the product was manufactured. Due to the fact that our products undergo continuous development, you should verify at www.g-u.com, if the technical documents you have at hand are up to date. Be sure to use the latest edition of our technical documents.

Proprietary rights apply in accordance with ISO 16016.



Lock stay-arm pin with Allen key size 4.

Sprache
EN, FR, ES, RU, SL

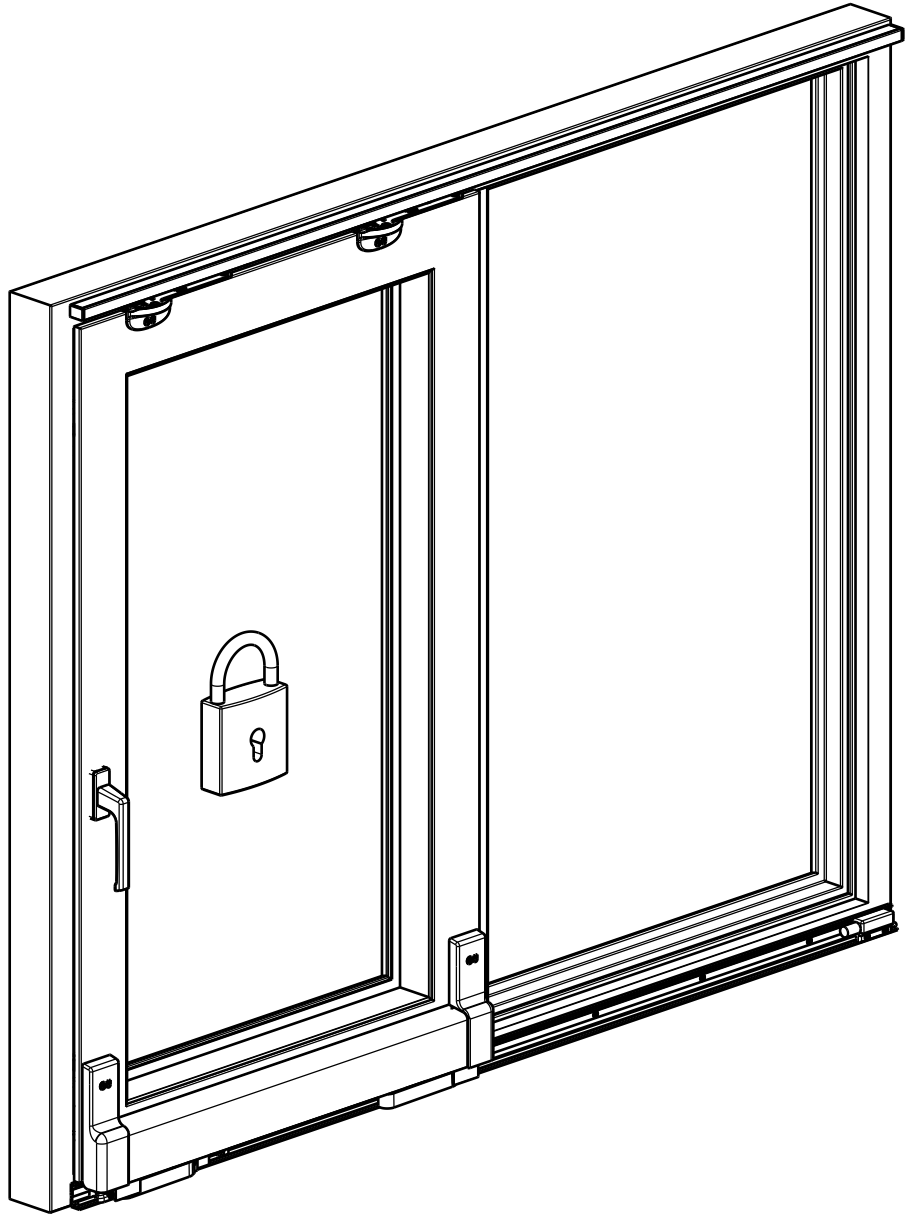
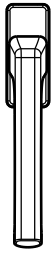
Description:
Installation, operating and maintenance instructions
Tilt&Slide hardware GU-966 oZ Timber

GU	Date	Change No.	Sig	Ver.	Replacement for	Revision:	Iteration:	Level:	Scale	Drawing No.	Size	Sheet
	31.03.2022	G39780	Ja	De	--	2	2	Released	%	0-49309-BK-0-EN	A4	2/12

The documents accompanying the product were issued when the product was manufactured. Due to the fact that our products undergo continuous development, you should verify at www.g-u.com, if the technical documents you have at hand are up to date. Be sure to use the latest edition of our technical documents.

Proprietary rights apply in accordance with ISO 16016.

0°



Sprache

EN, FR, ES, RU, SL

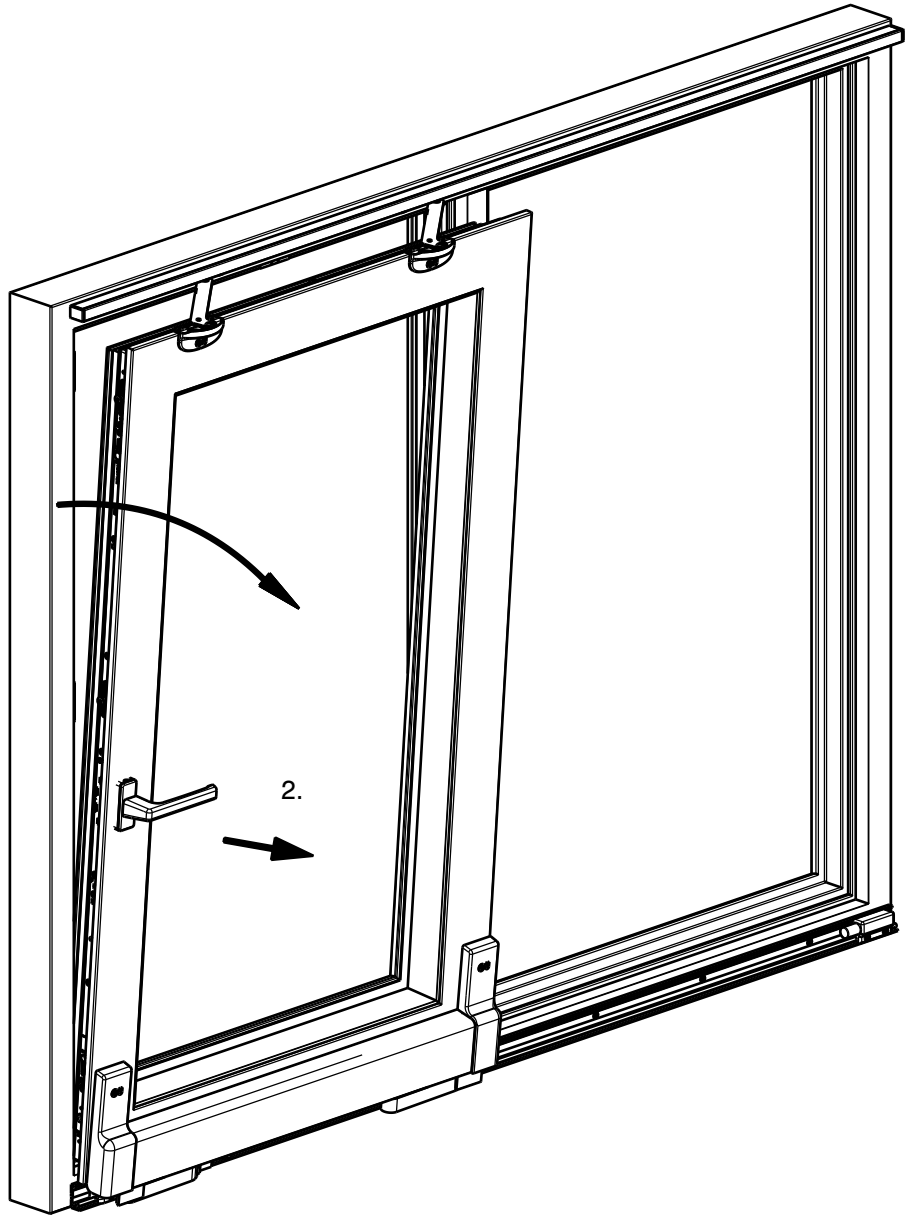
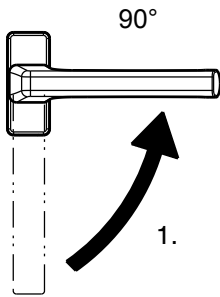
Description:

Installation, operating and maintenance instructions
Tilt&Slide hardware GU-966 oZ Timber

--

V8

GU	Date	Change No.	Sig	Ver.	Replacement for	Revision:	Iteration:	Level:	Scale	Drawing No.	Size	Sheet
	31.03.2022	G39780	Ja	De	--	2	2	Released	%	0-49309-BK-0-EN	A4	3/12



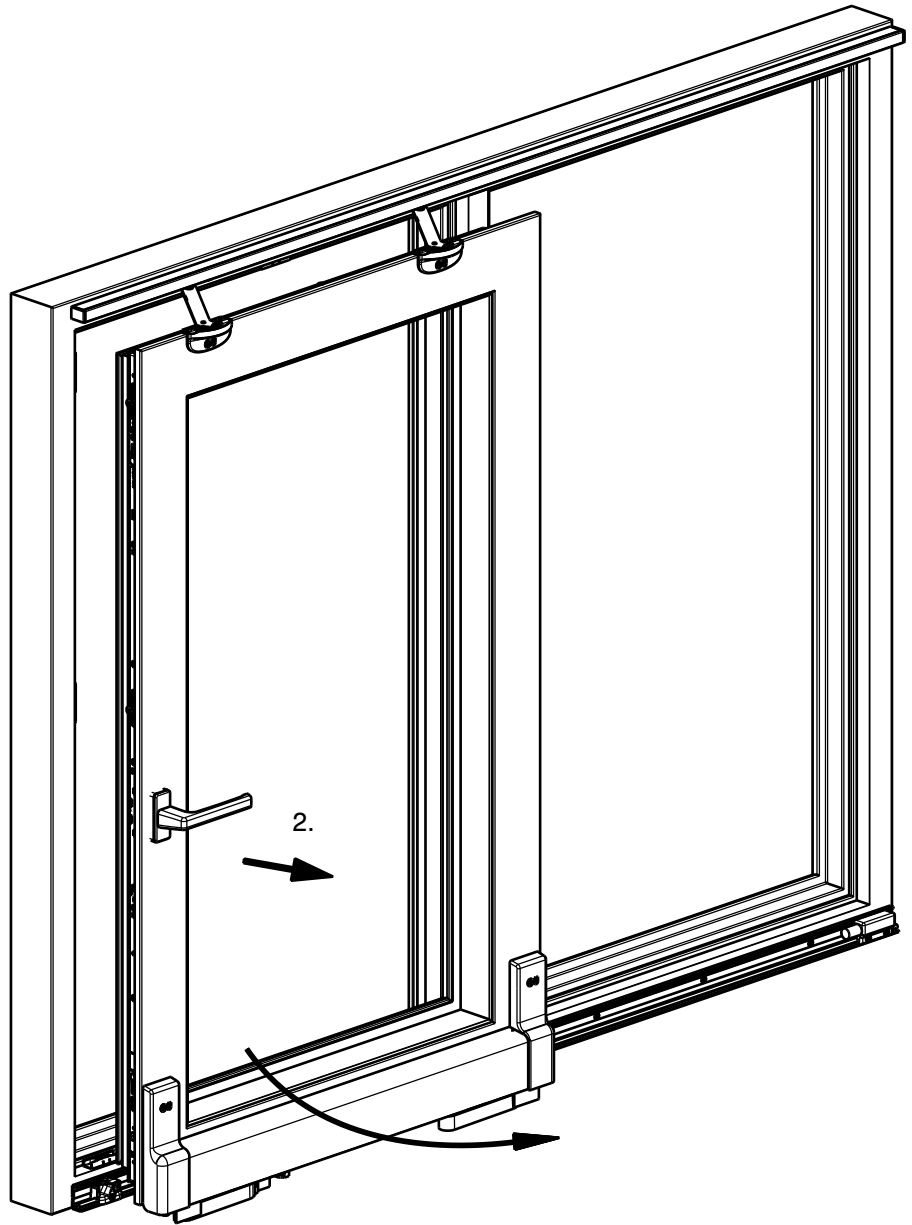
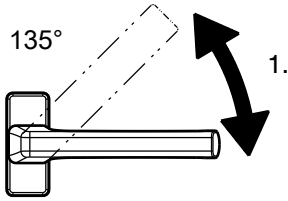
Description:

Installation, operating and maintenance instructions
Tilt&Slide hardware GU-966 oZ Timber

--

The documents accompanying the product were issued when the product was manufactured. Due to the fact that our products undergo continuous development, you should verify at www.g-u.com, if the technical documents you have at hand are up to date. Be sure to use the latest edition of our technical documents.

Proprietary rights apply in accordance with ISO 16016.



Sprache

EN, FR, ES, RU, SL

Description:

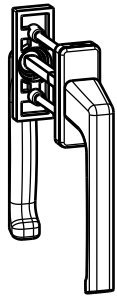
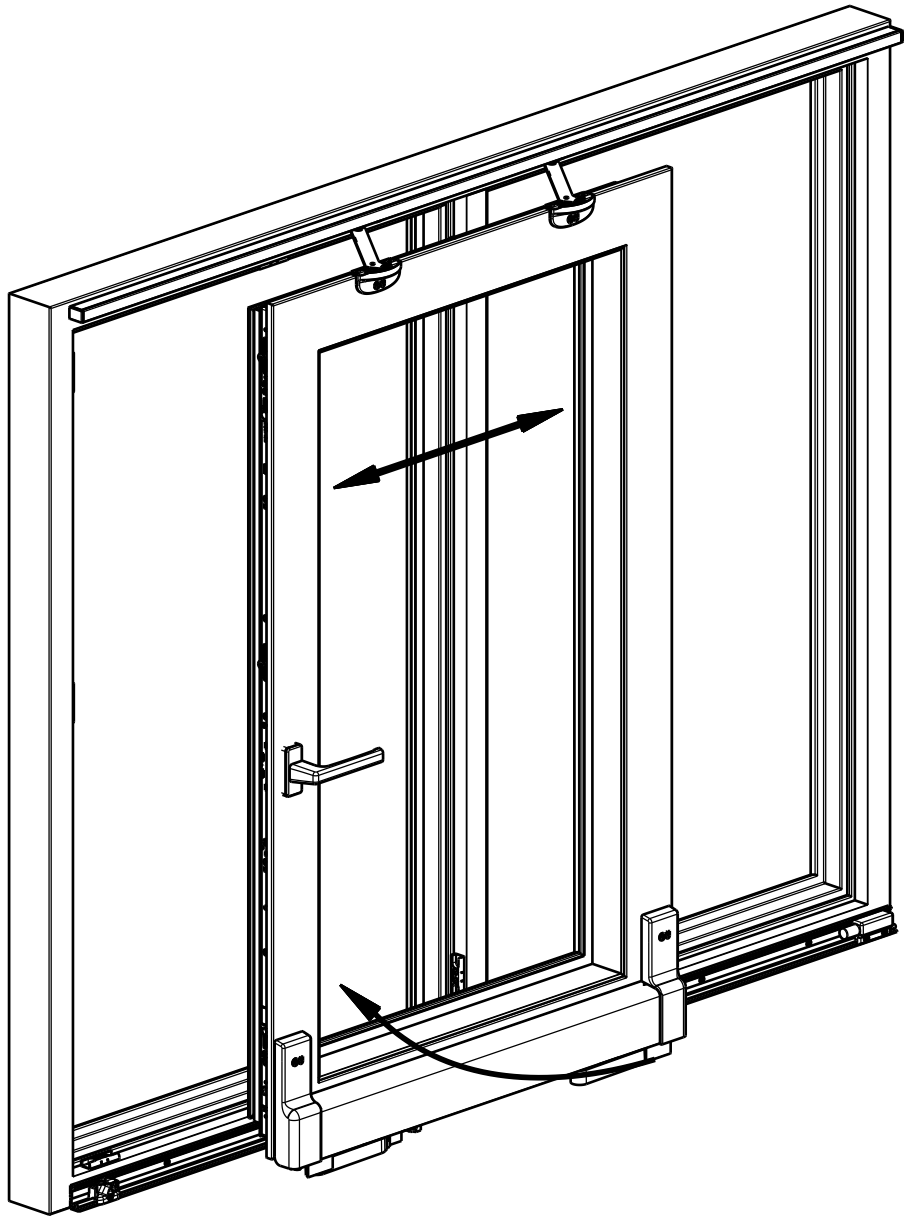
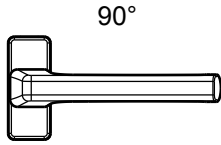
Installation, operating and maintenance instructions
Tilt&Slide hardware GU-966 oZ Timber

--

V8



Date	Change No.	Sig	Ver.	Replacement for	Revision:	Iteration:	Level:	Scale	Drawing No.	Size	Sheet
31.03.2022	G39780	Ja	De	--	2	2	Released	%	0-49309-BK-0-EN	A4	5/12

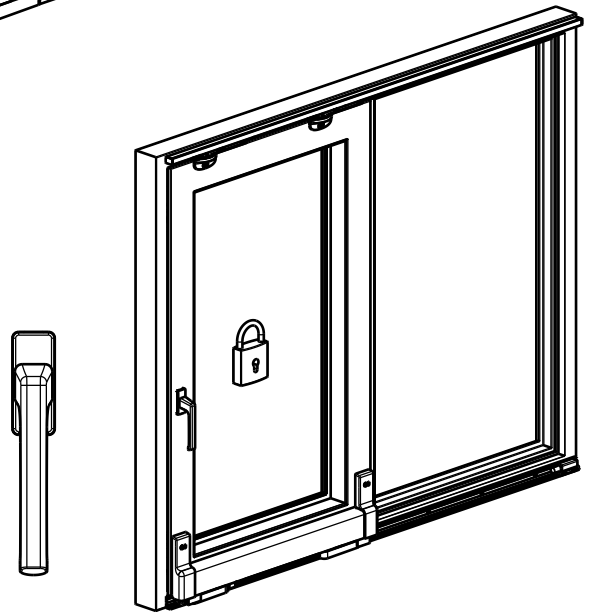
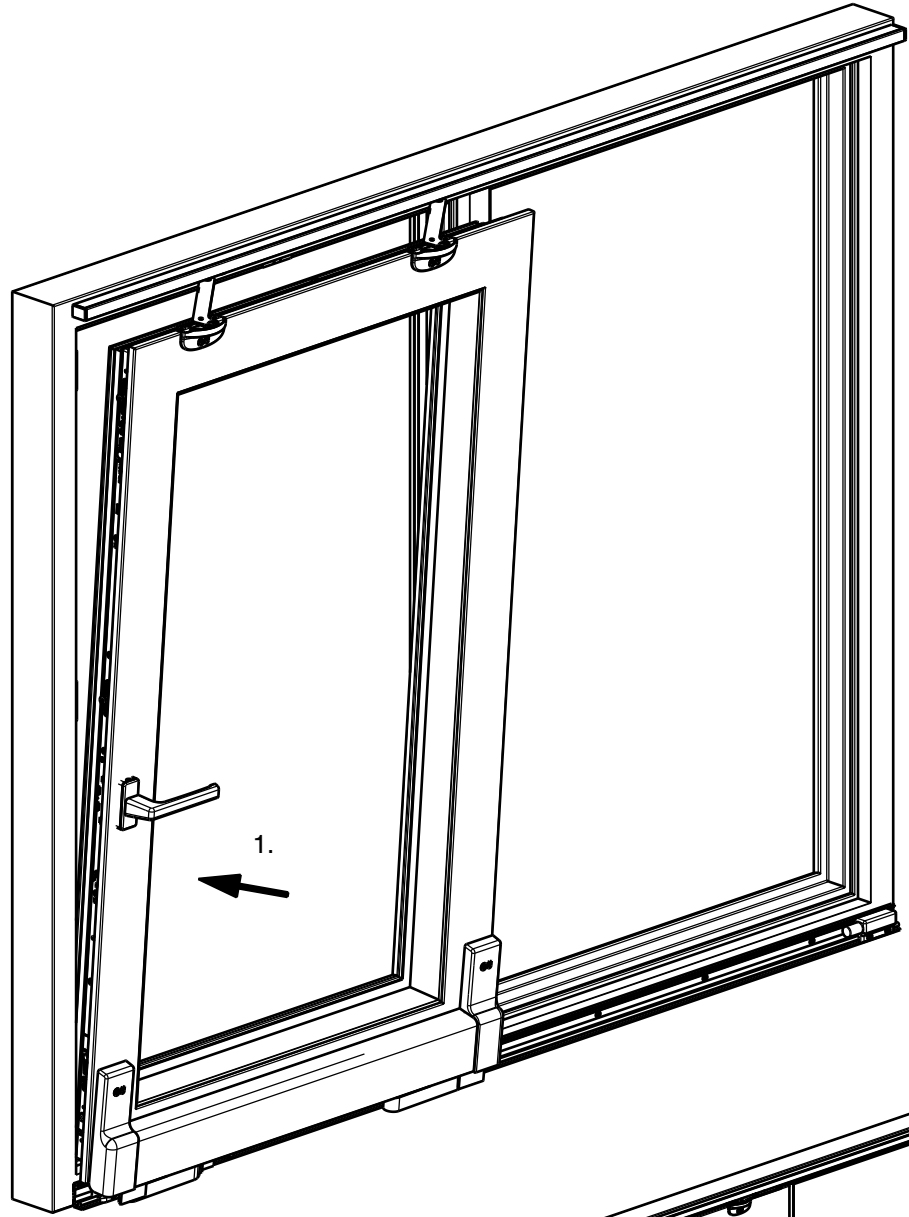
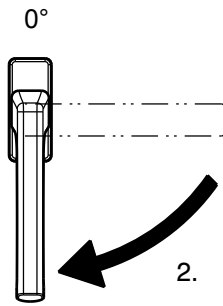


Description:

Installation, operating and maintenance instructions
Tilt&Slide hardware GU-966 oZ Timber

--

V8	GU	Date	Change No.	Sig	Ver.	Replacement for	Revision:	Iteration:	Level:	Scale	Drawing No.	Size	Sheet
		31.03.2022	G39780	Ja	De	--	2	2	Released	%	0-49309-BK-0-EN	A4	6/12



Description:

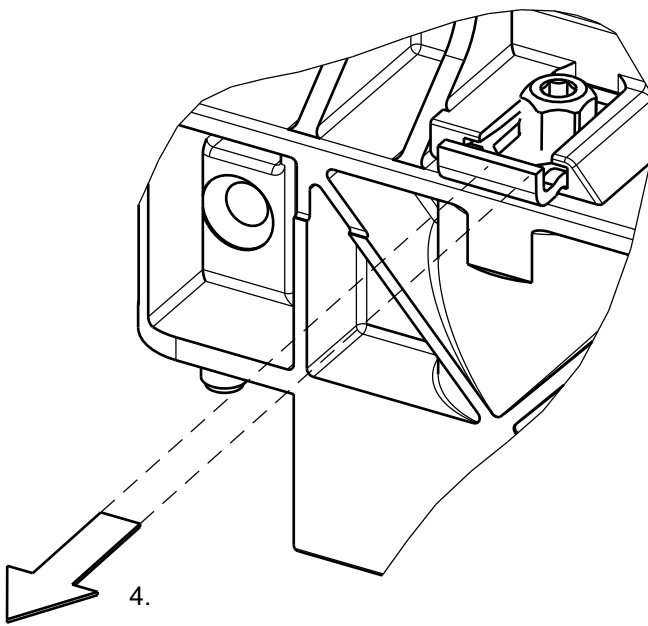
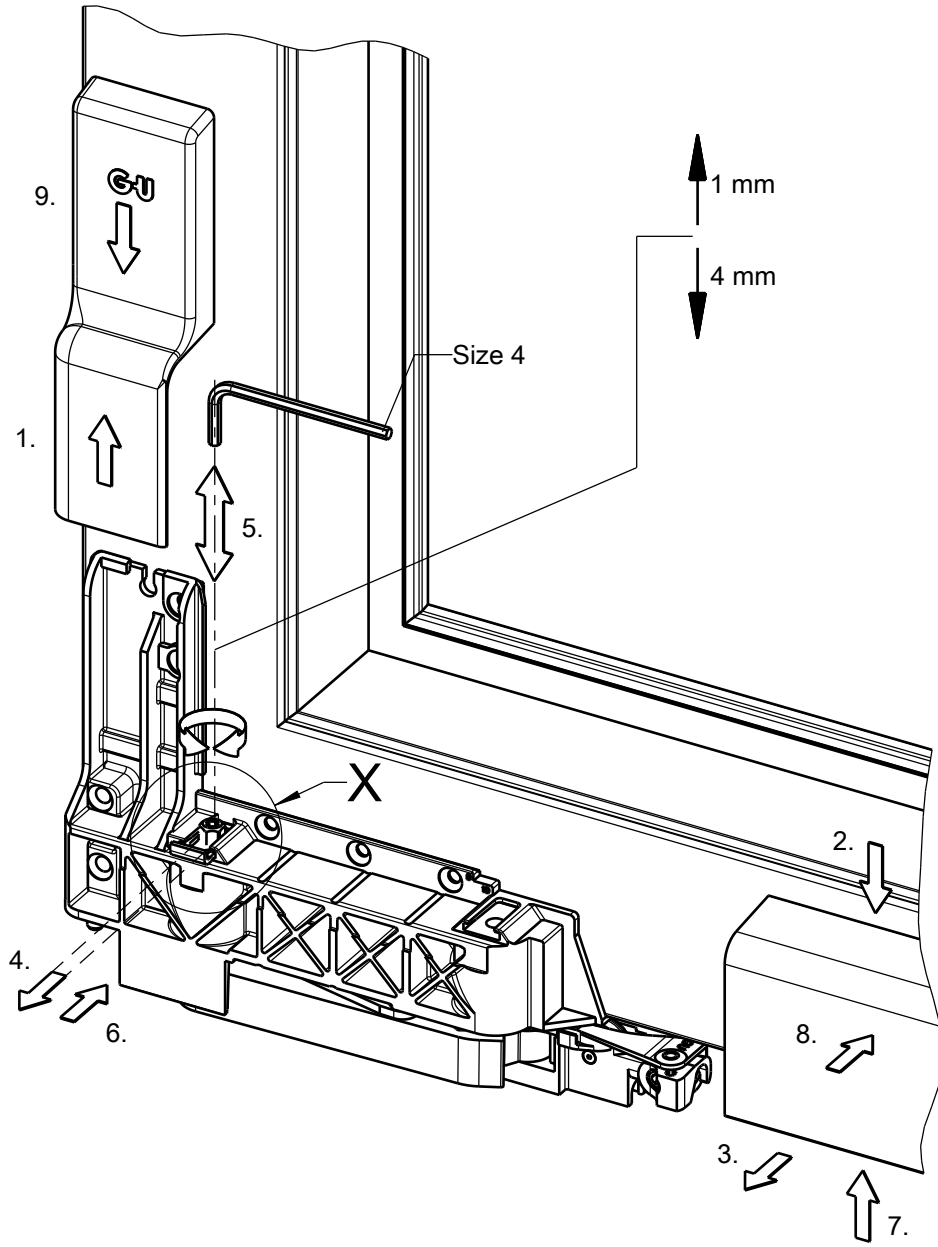
Installation, operating and maintenance instructions
Tilt&Slide hardware GU-966 oZ Timber

--

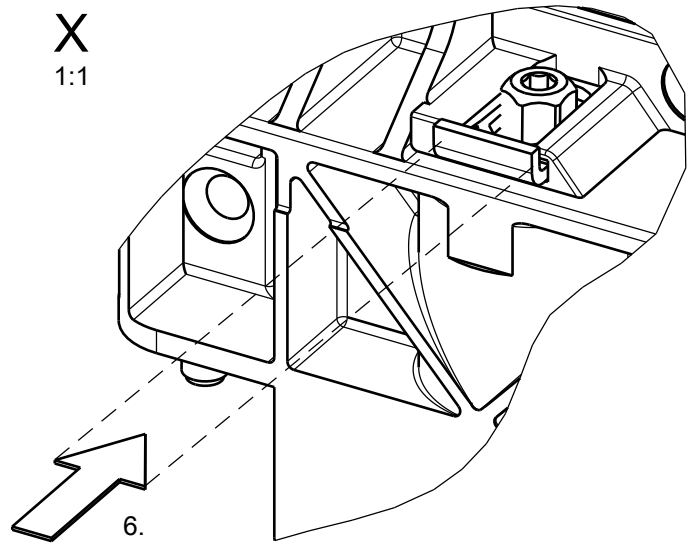
GU	Date	Change No.	Sig	Ver.	Replacement for	Revision:	Iteration:	Level:	Scale	Drawing No.	Size	Sheet
	31.03.2022	G39780	Ja	De	--	2	2	Released	%	0-49309-BK-0-EN	A4	7/12

The documents accompanying the product were issued when the product was manufactured. Due to the fact that our products undergo continuous development, you should verify at www.g-u.com, if the technical documents you have at hand are up to date. Be sure to use the latest edition of our technical documents.

Proprietary rights apply in accordance with ISO 16016.



X
1:1



Sprache

EN, FR, ES, RU, SL

Description:

Installation, operating and maintenance instructions
Tilt&Slide hardware GU-966 oZ Timber

--

V8



Date
31.03.2022

Change No.
G39780

Sig
Ja

Ver.
De

Replacement for
--

Revision:
2

Iteration:
2

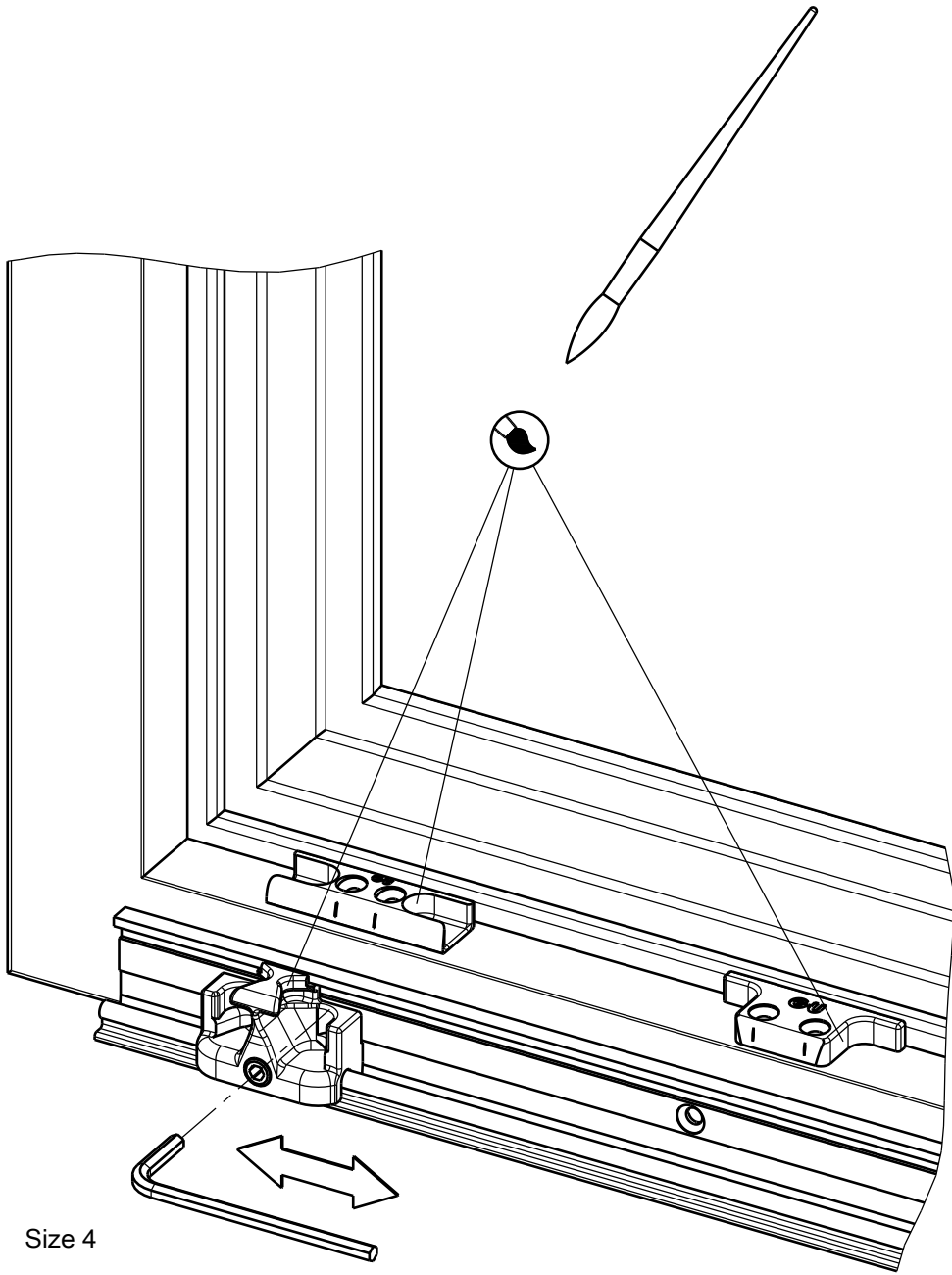
Level:
Released

Scale
%

Drawing No.
0-49309-BK-0-EN

Size
A4

Sheet
8/12



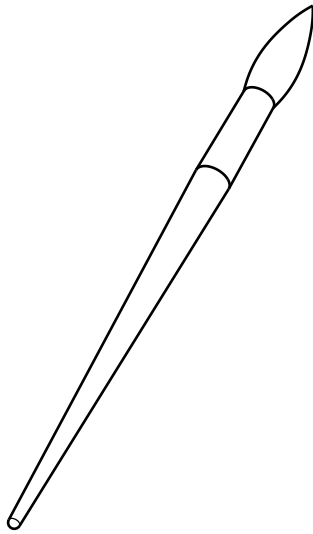
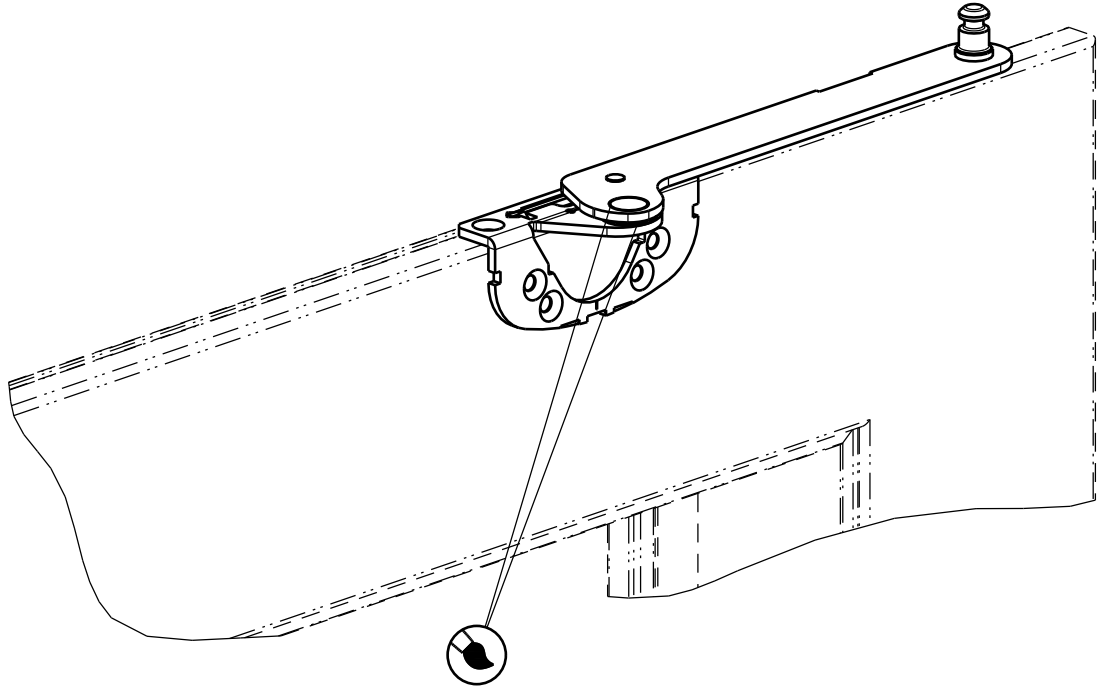
1 x annually
Lubricate all locking, sliding and bearing points with GU service grease H-01960.

Description:

Installation, operating and maintenance instructions
Tilt&Slide hardware GU-966 oZ Timber

--

GU	Date	Change No.	Sig	Ver.	Replacement for	Revision:	Iteration:	Level:	Scale	Drawing No.	Size	Sheet
	31.03.2022	G39780	Ja	De	--	2	2	Released	1:2	0-49309-BK-0-EN	A4	9/12



1 x annually

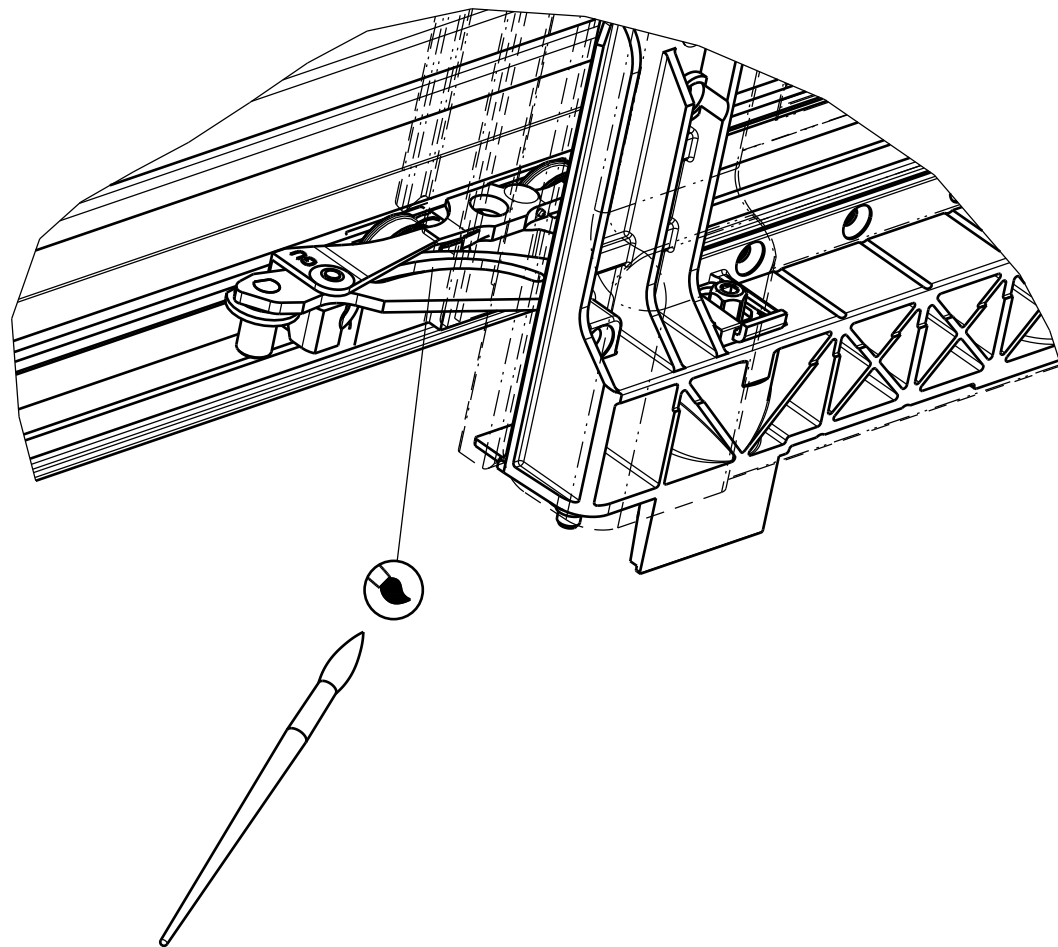
Lubricate all locking, sliding and bearing points with GU service grease H-01960.

Description:

Installation, operating and maintenance instructions
Tilt&Slide hardware GU-966 oZ Timber

--

GU	Date	Change No.	Sig	Ver.	Replacement for	Revision:	Iteration:	Level:	Scale	Drawing No.	Size	Sheet
	31.03.2022	G39780	Ja	De	--	2	2	Released	1:2	0-49309-BK-0-EN	A4	10/12



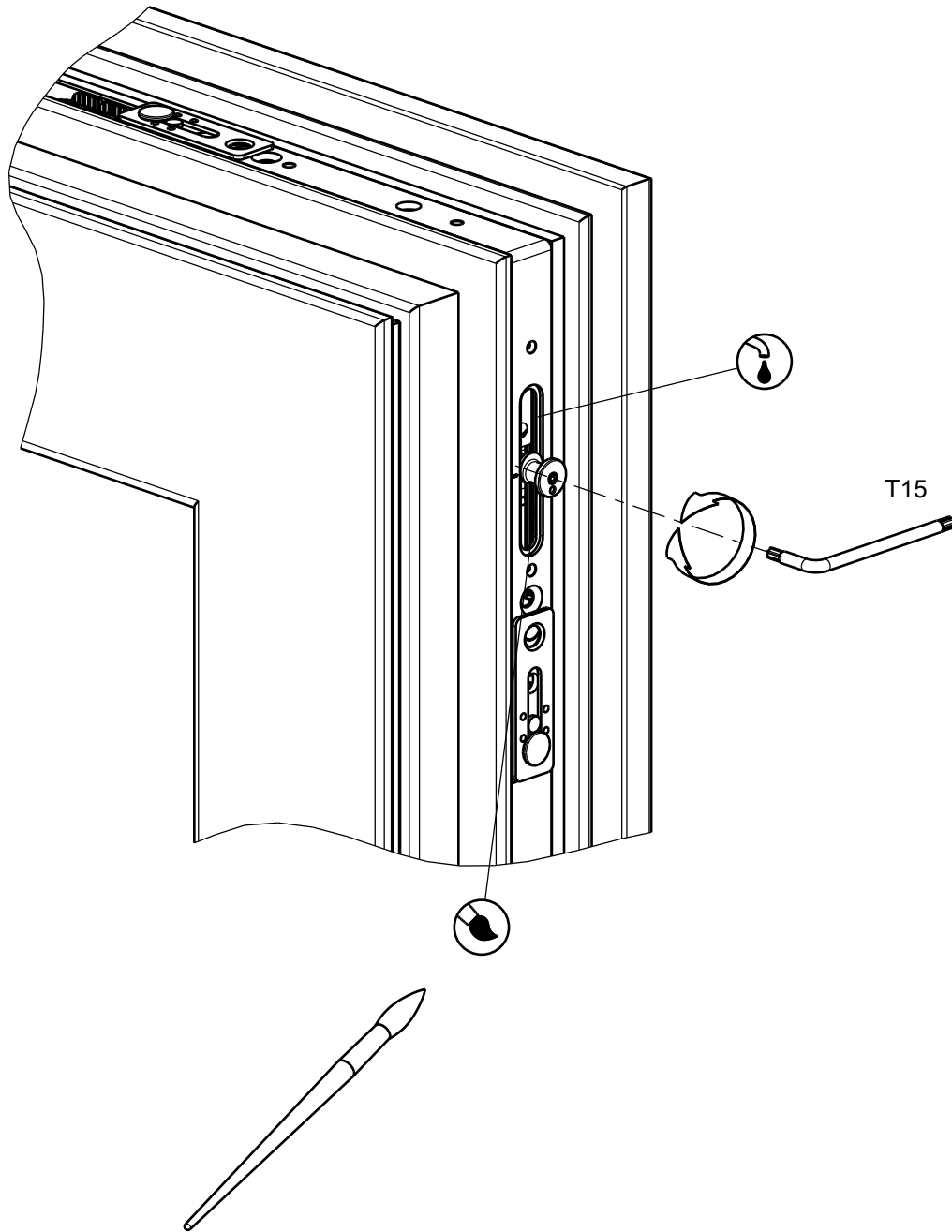
1 x annually
Lubricate all locking, sliding and bearing points with GU service grease H-01960.

Description:

Installation, operating and maintenance instructions
Tilt&Slide hardware GU-966 oZ Timber

--

GU	Date	Change No.	Sig	Ver.	Replacement for	Revision:	Iteration:	Level:	Scale	Drawing No.	Size	Sheet
	31.03.2022	G39780	Ja	De	--	2	2	Released	1:2	0-49309-BK-0-EN	A4	11/12



1 x annually
Spray sliding point with GU-BKS high-performance care spray B 9780 0001.



1 x annually
Lubricate all locking, sliding and bearing points with GU service grease H-01960.

Description:

Installation, operating and maintenance instructions
Tilt&Slide hardware GU-966 oZ Timber
--

GU	Date	Change No.	Sig	Ver.	Replacement for	Revision:	Iteration:	Level:	Scale	Drawing No.	Size	Sheet
	31.03.2022	G39780	Ja	De	--	2	2	Released	1:2	0-49309-BK-0-EN	A4	12/12