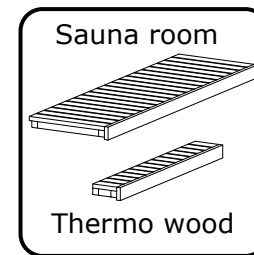
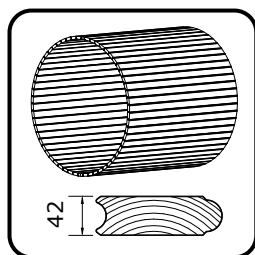
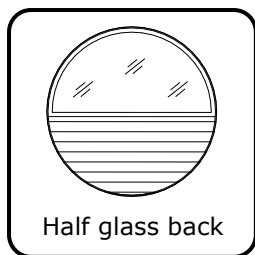
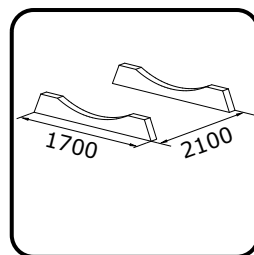
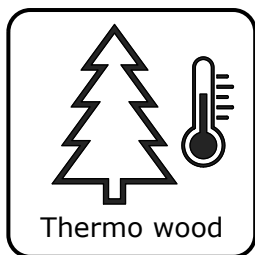
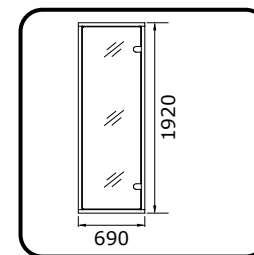
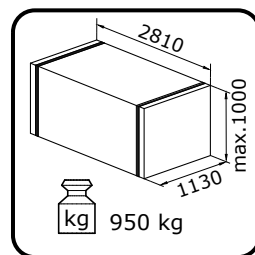
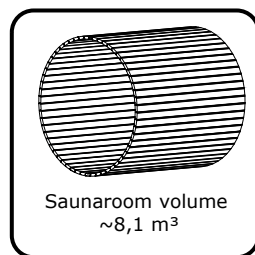
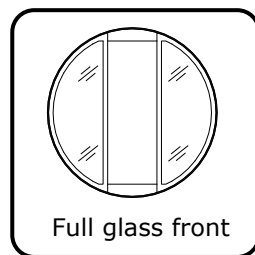
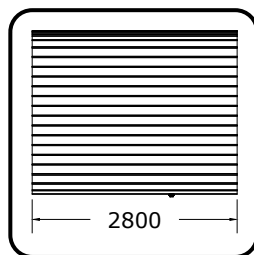
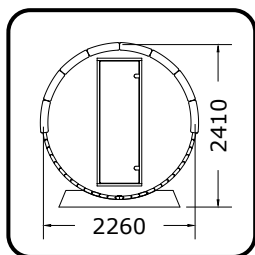
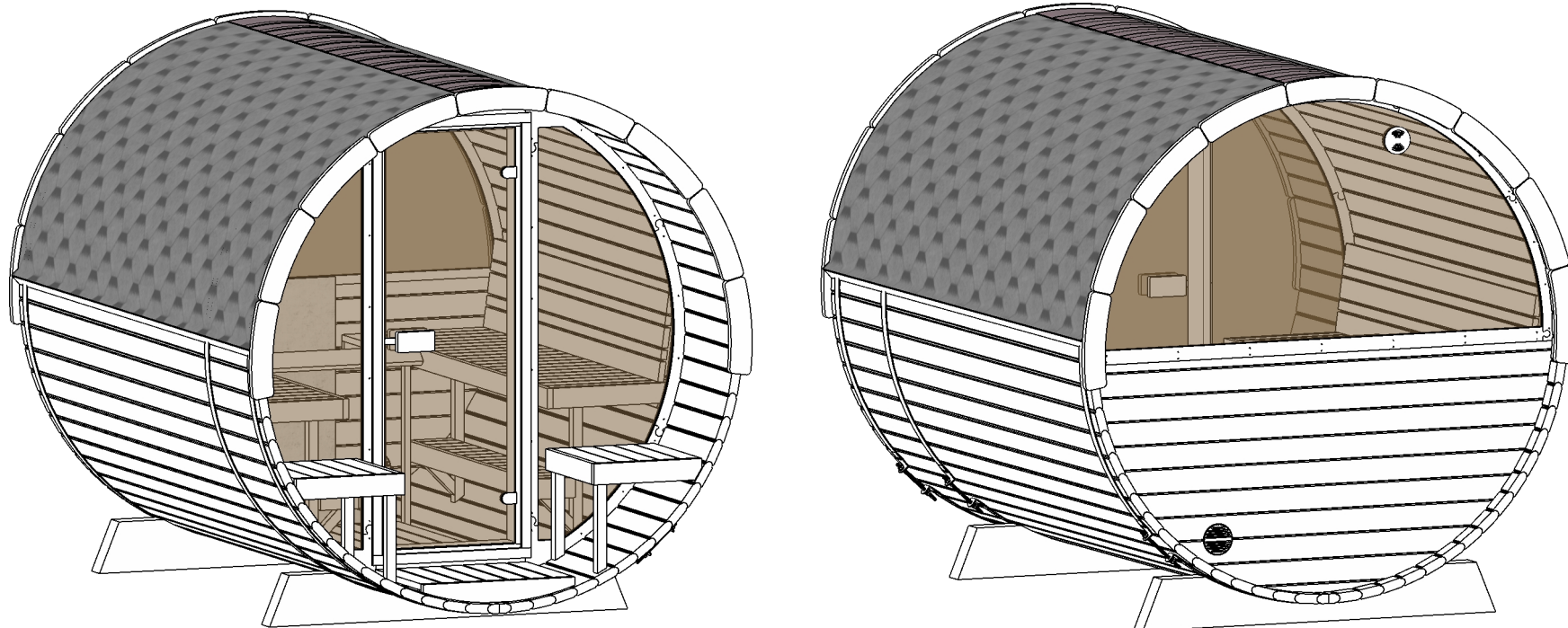


Sauna 280,Ø226

Front glass wall, back half glass wall

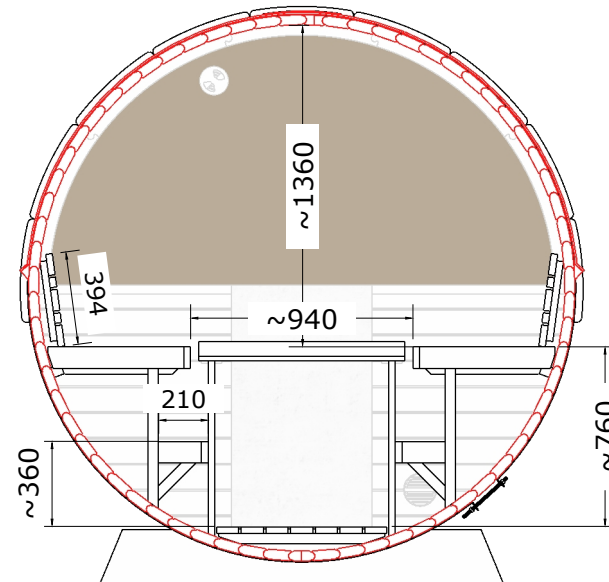
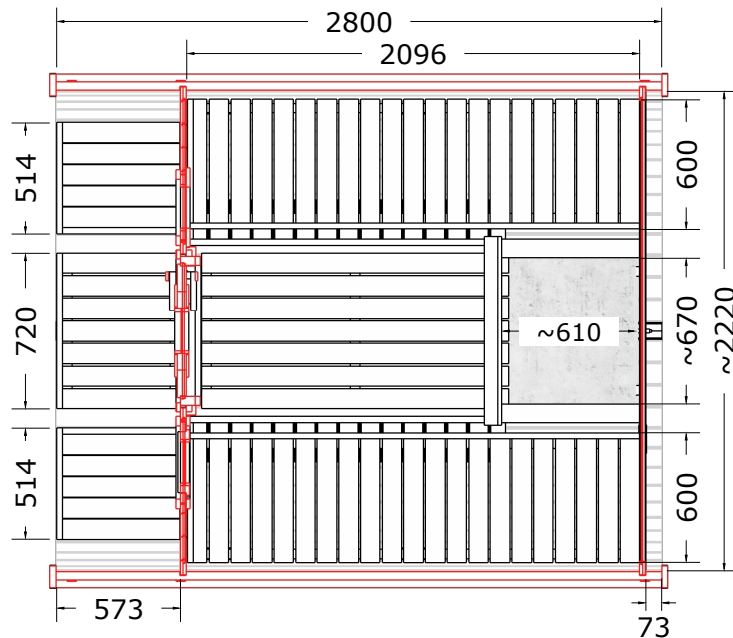
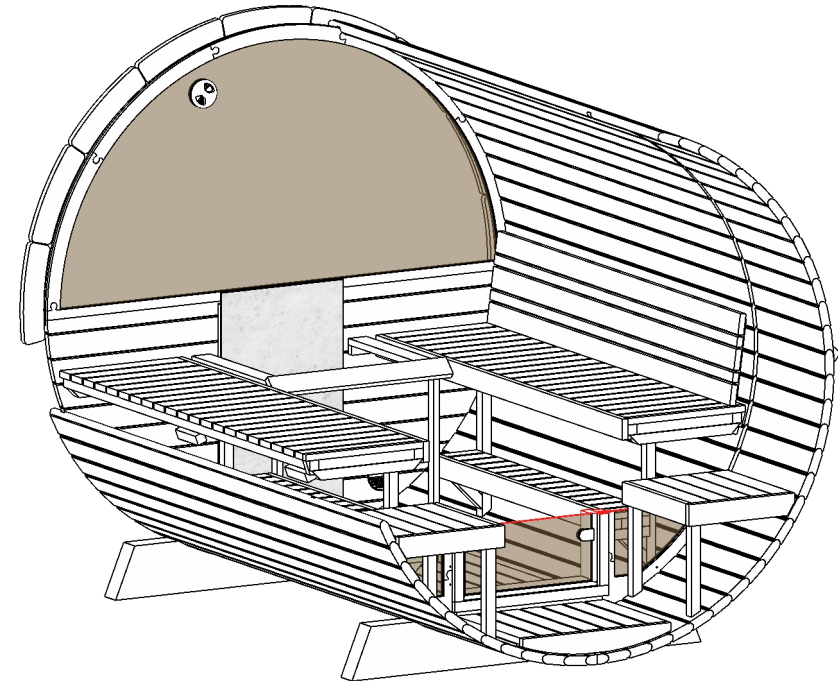
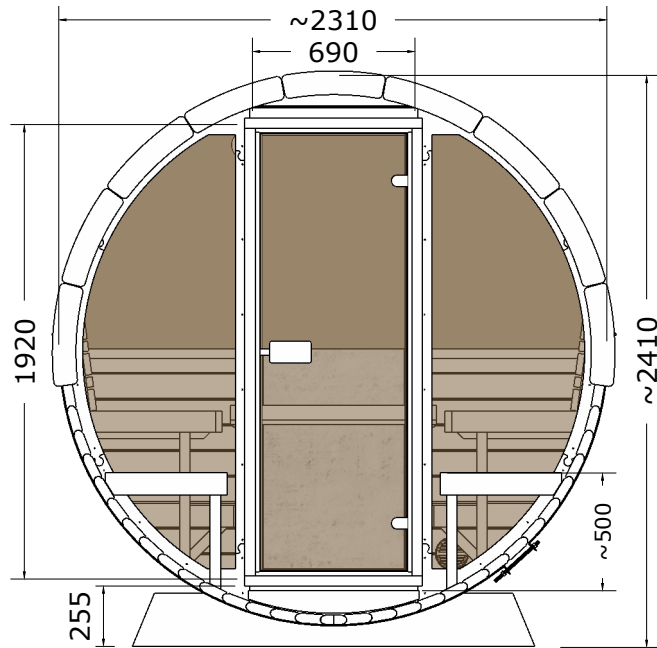
All dimensions given are in millimeters!



Sauna 280,Ø226

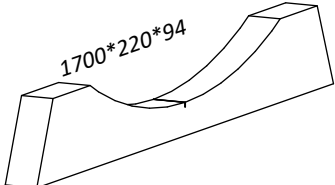
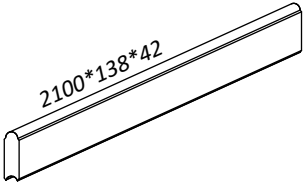
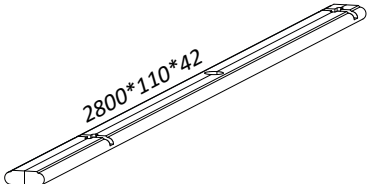
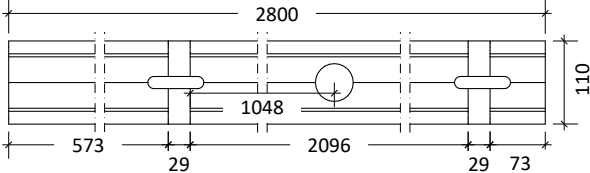
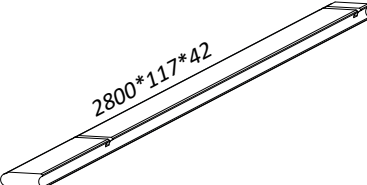
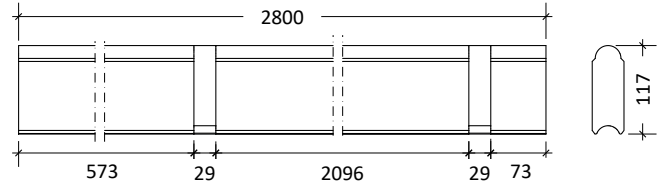
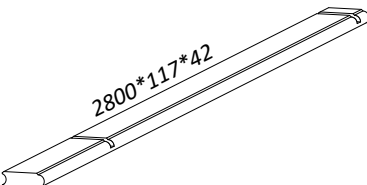
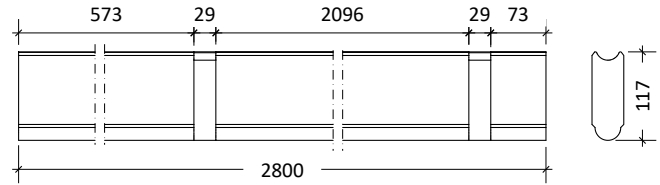
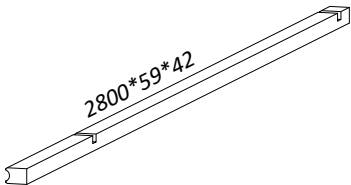
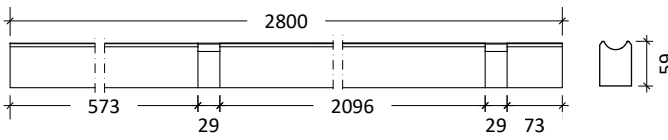
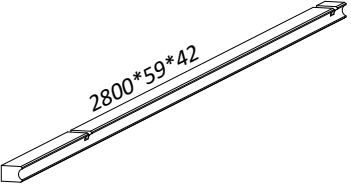
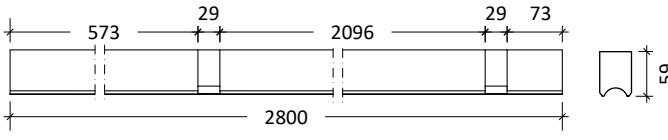
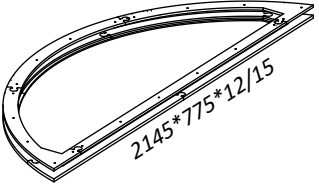
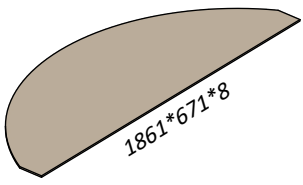
Front glass wall, back half glass wall

All dimensions given are in millimeters!



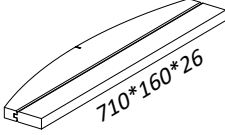
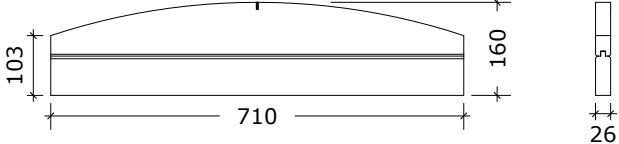
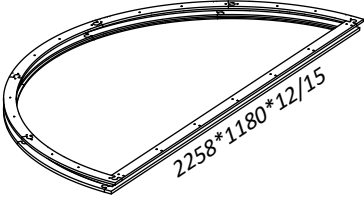
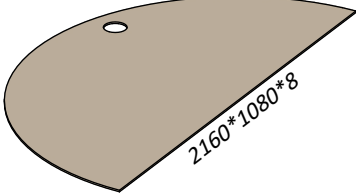
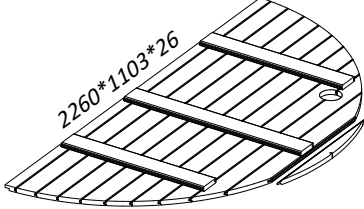

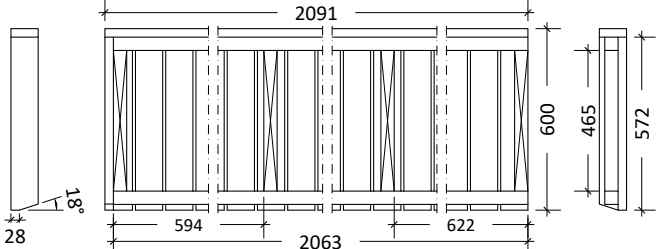
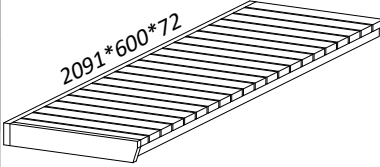
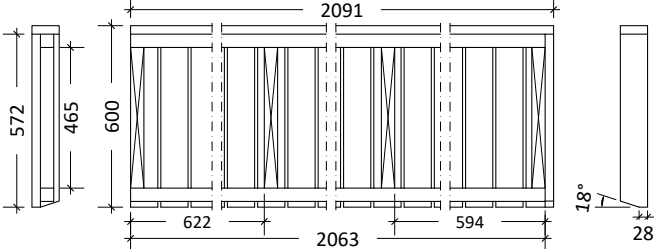
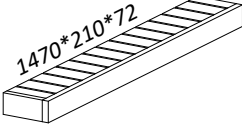
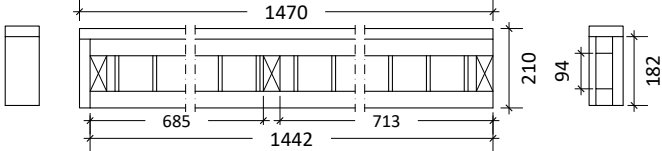
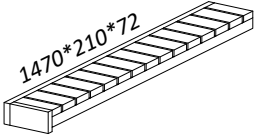
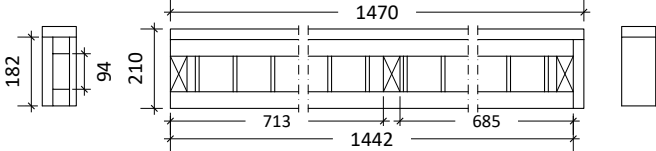
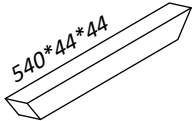
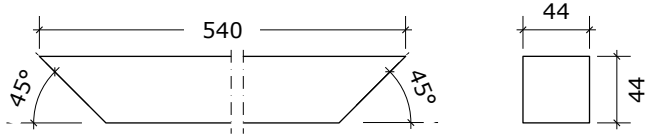
Sauna 280, Ø226

Details list 1/5

<p>DET 1</p> <p>Article. 2-KJAL-226</p>	<p>x2</p>	 <p>1700*220*94</p>	
<p>DET A</p> <p>Article. KSTL138/2100</p>	<p>x2</p>	 <p>2100*138*42</p>	
<p>DET 2</p> <p>Article. 2-TSTL110/2800</p>	<p>x1</p>	 <p>2800*110*42</p>	
<p>DET 3b</p> <p>Article. TSTL117/2800XV</p>	<p>x34</p>	 <p>2800*117*42</p>	
<p>DET 3a</p> <p>Article. TSTL117/2800XP</p>	<p>x34</p>	 <p>2800*117*42</p>	
<p>DET 6a DET 2 jääk</p> <p>Article. TSTL59/2800XLP</p>	<p>x1</p>	 <p>2800*59*42</p>	
<p>DET 6b DET 2 jääk</p> <p>Article. TSTL59/2800XLV</p>	<p>x1</p>	 <p>2800*59*42</p>	
<p>DET Frame (Front glass wall)</p> <p>Article. 2-26KE-12/15</p>	<p>x2</p>	 <p>2145*775*12/15</p>	
<p>DET Glass (Front glass wall)</p> <p>Article. 26-KE-PR8</p>	<p>x2</p>	 <p>1861*671*8</p>	

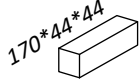
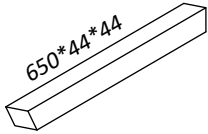
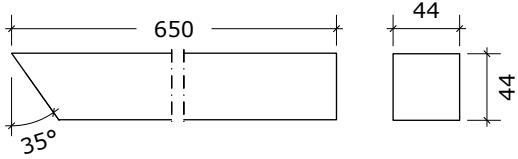

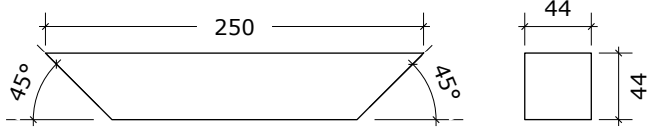

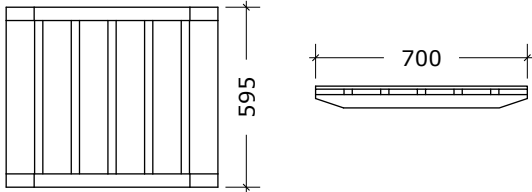
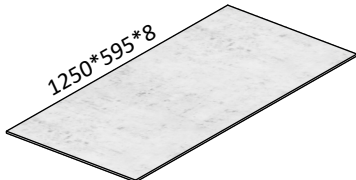
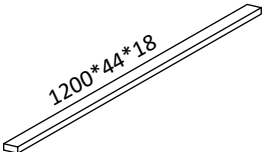
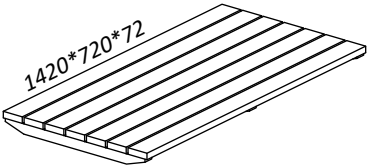
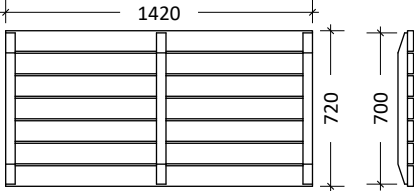
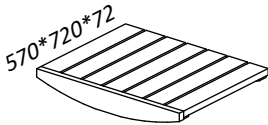
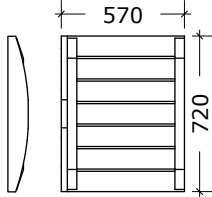
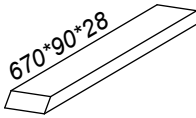
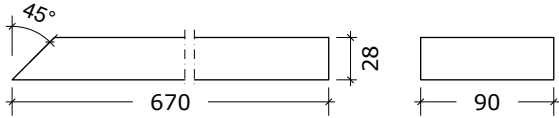

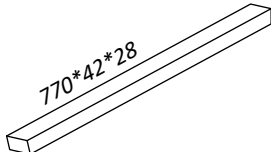
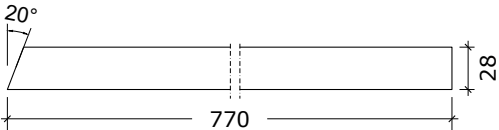
Sauna 280, Ø226

Details list 2/5

<p>DET T</p> <p>Article. 2-KSL26/160/710</p>	<p>x2</p>	 <p>710*160*26</p>	
<p>DET Frame (Half-moon)</p> <p>Article. 2-26PK-12/15</p>	<p>x1</p>	 <p>2258*1180*12/15</p>	
<p>DET Glass (Half-moon)</p> <p>Article. 26-PKV-PR8</p>	<p>x1</p>	 <p>2160*1080*8</p>	
<p>DET Y1</p> <p>Article. 2-T26PK/26</p>	<p>x1</p>	 <p>2260*1103*26</p>	
<p>DET 10/V</p> <p>Article. 2-TLA600/2091V</p>	<p>x1</p>	 <p>2091*600*72</p>	
<p>DET 10/P</p> <p>Article. 2-TLA600/2091P</p>	<p>x1</p>	 <p>2091*600*72</p>	
<p>DET 11/V</p> <p>Article. 2-TLA210/1470V</p>	<p>x1</p>	 <p>1470*210*72</p>	
<p>DET 11/P</p> <p>Article. 2-TLA210/1470P</p>	<p>x1</p>	 <p>1470*210*72</p>	
<p>DET 10a</p> <p>Article. KHP44/540XP</p>	<p>x2</p>	 <p>540*44*44</p>	

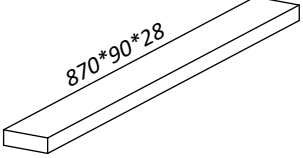
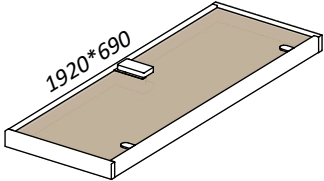
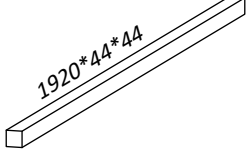
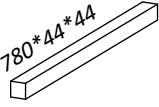
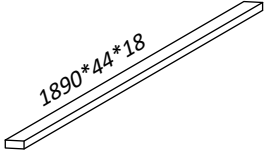
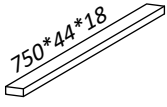
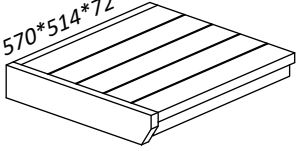
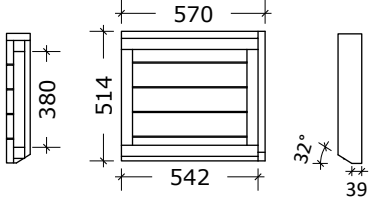
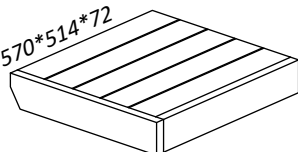
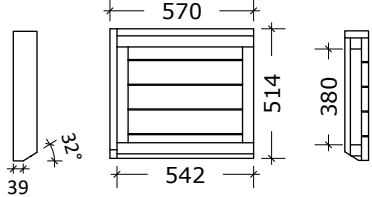
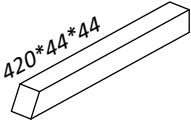
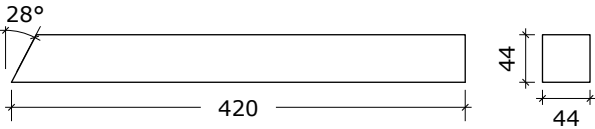
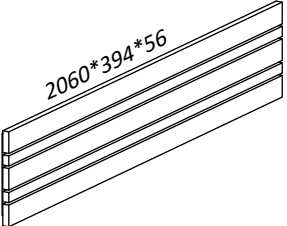
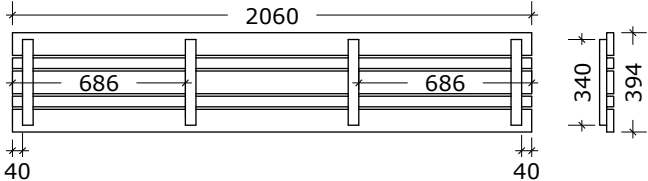
Sauna 280, Ø226

Details list 3/5

DET 10c Article. KHP44/170	x4		
DET 11a Article. KHP44/650XP	x4		
DET 11b Article. KHP44/250XP	x4		
DET 12a Article. 2-MI700/595	x1		
DET 12b Article. MIN1250/595-HAL	x1		
DET 12c Article. KHL44/1200	x2		
DET 14a Article. 2-TPO720/1420	x1		
DET 14b Article. 2-TPO720/570	x1		
DET 15a Article. TLAV90/670XP	x2		
DET 15b Article. TLAV42/90	x2		
DET 15c Article. TLAV42/770XP	x2		

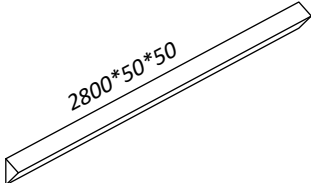
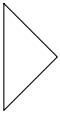
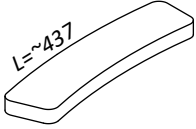

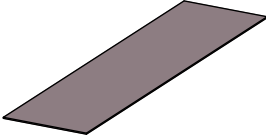

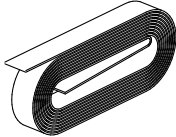
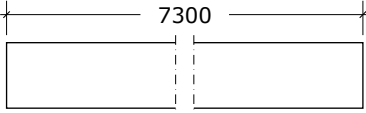
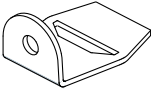
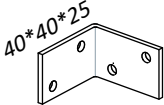
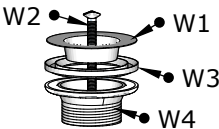
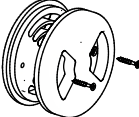
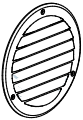
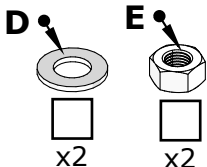
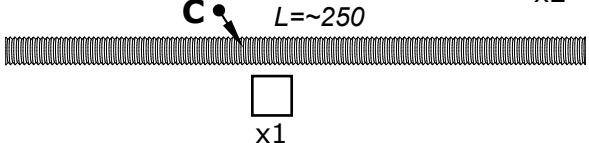
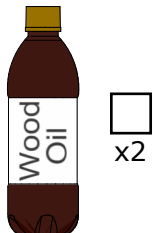
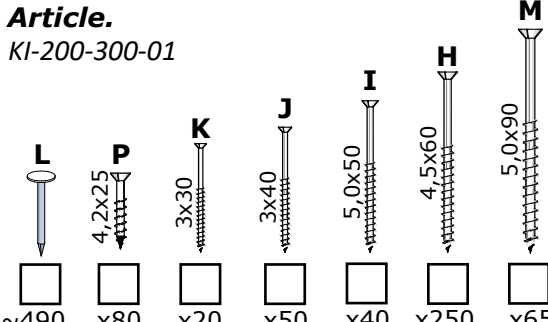
Sauna 280, Ø226

Details list 4/5

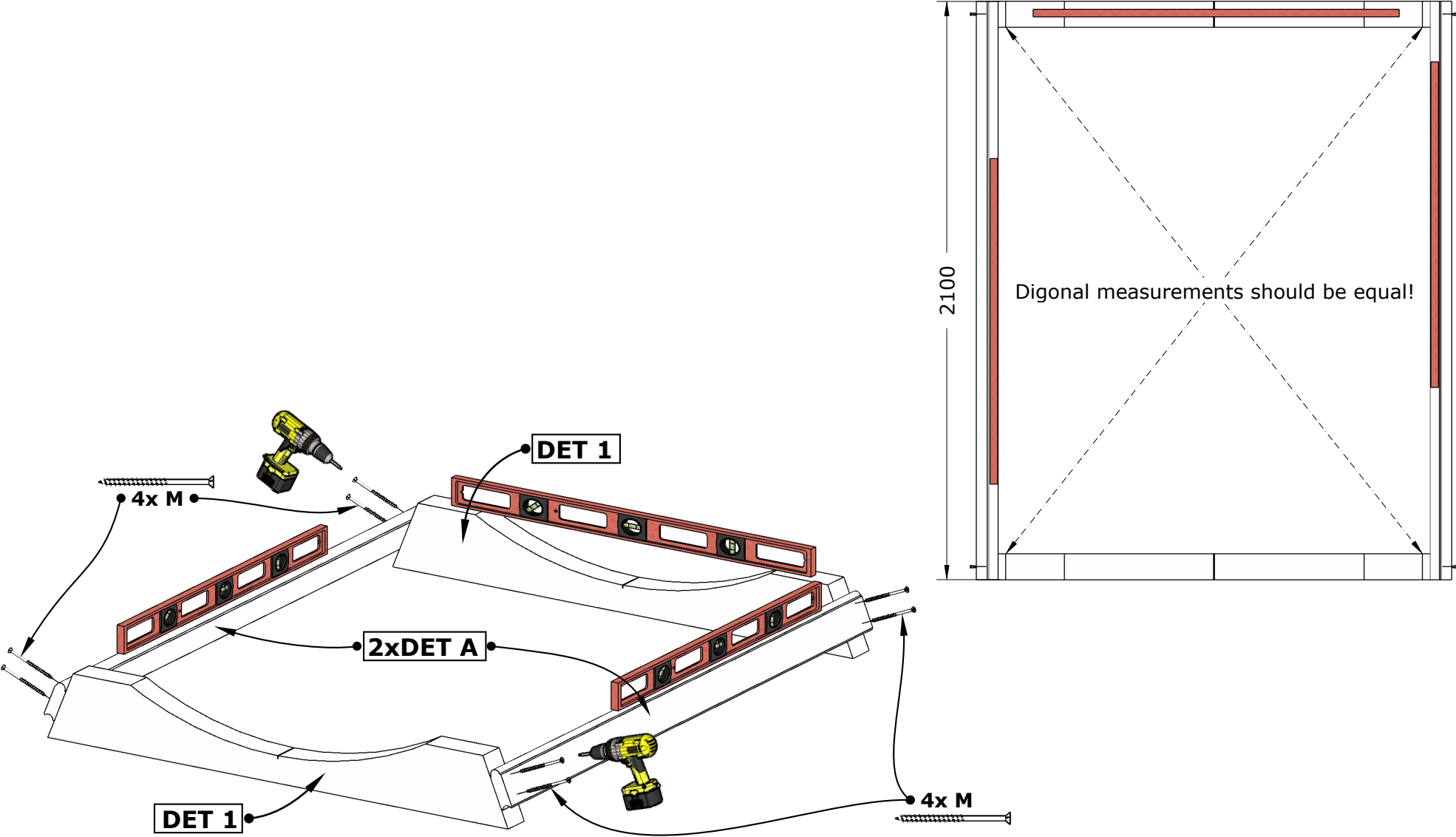
<p>DET 15d</p> <p>Article. TLAV90/870</p>	<p>x1</p>	 <p>870*90*28</p>	
<p>DET 21</p> <p>Article. D690/1920PR8</p>	<p>x1</p>	 <p>1920*690</p>	
<p>DET 21c</p> <p>Article. KHP44/1920</p>	<p>x2</p>	 <p>1920*44*44</p>	
<p>DET 21d</p> <p>Article. KHP44/780</p>	<p>x2</p>	 <p>780*44*44</p>	
<p>DET 21a</p> <p>Article. KHL44/1890</p>	<p>x2</p>	 <p>1890*44*18</p>	
<p>DET 21b</p> <p>Article. KHL44/750</p>	<p>x2</p>	 <p>750*44*18</p>	
<p>DET 24a</p> <p>Article. 2-TTE514/570P-02</p>	<p>x1</p>	 <p>570*514*72</p>	
<p>DET 24b</p> <p>Article. 2-TTE514/570V-02</p>	<p>x1</p>	 <p>570*514*72</p>	
<p>DET 24c</p> <p>Article. KHP44/420XP</p>	<p>x4</p>	 <p>420*44*44</p>	
<p>DET 26</p> <p>Article. 2-TST394/2060</p>	<p>x2</p>	 <p>2060*394*56</p>	

Sauna 280, Ø226

Details list 5/5

DET 22 Article. TSTL50/2800X	x2		
DET 25 Article. OL-20/437	x18		
DET N Article. KAT-HAR	x11		
DET O Article. KAT-SIN	x83		
DET B Article. VITS/7300	x3		
DET B1 Article. VITSKL-RV	x6		
DET V Article. KI-VIN-25/40/40-ZN	x4		
DET W Article. TRAPP	x1 kmpl		
DET Z Article. MU-VENT-VIN	x1		
DET F Article. MU-VENT-ZN	x2		
Article. KI-KERL-12-RV1	x3		Article. MU-VARVIL_TEAK
	x1		Article. KI-200-300-01
			

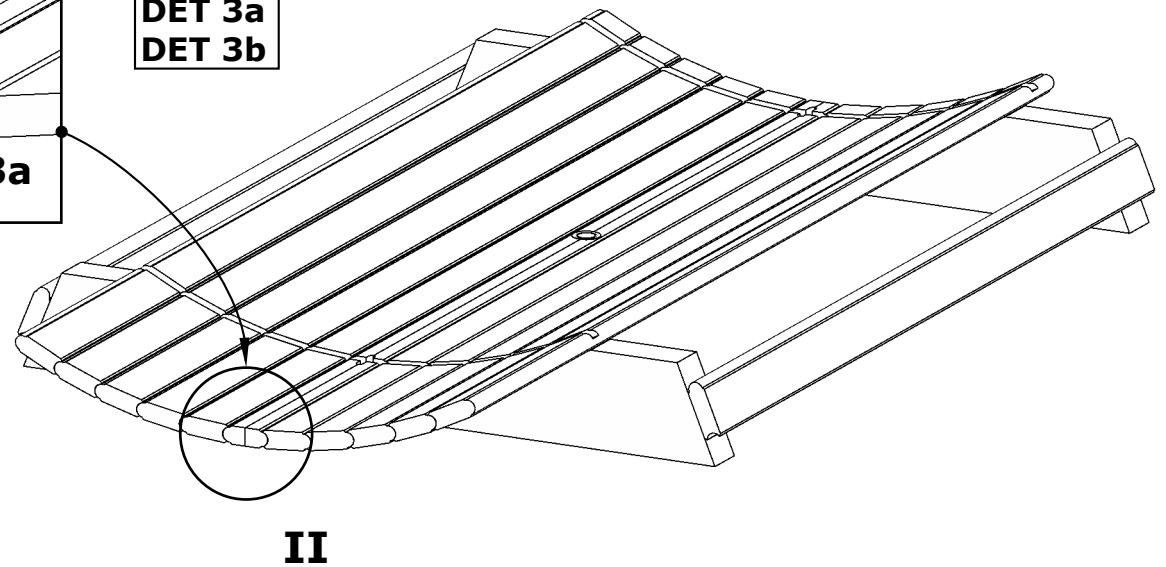
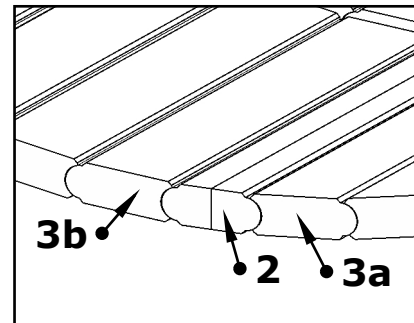
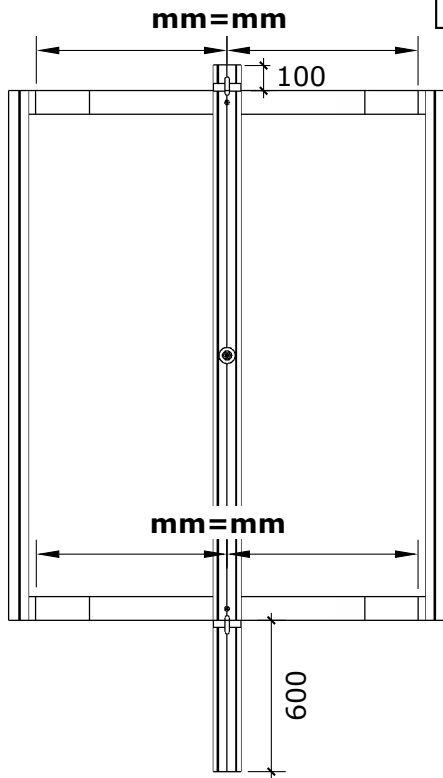
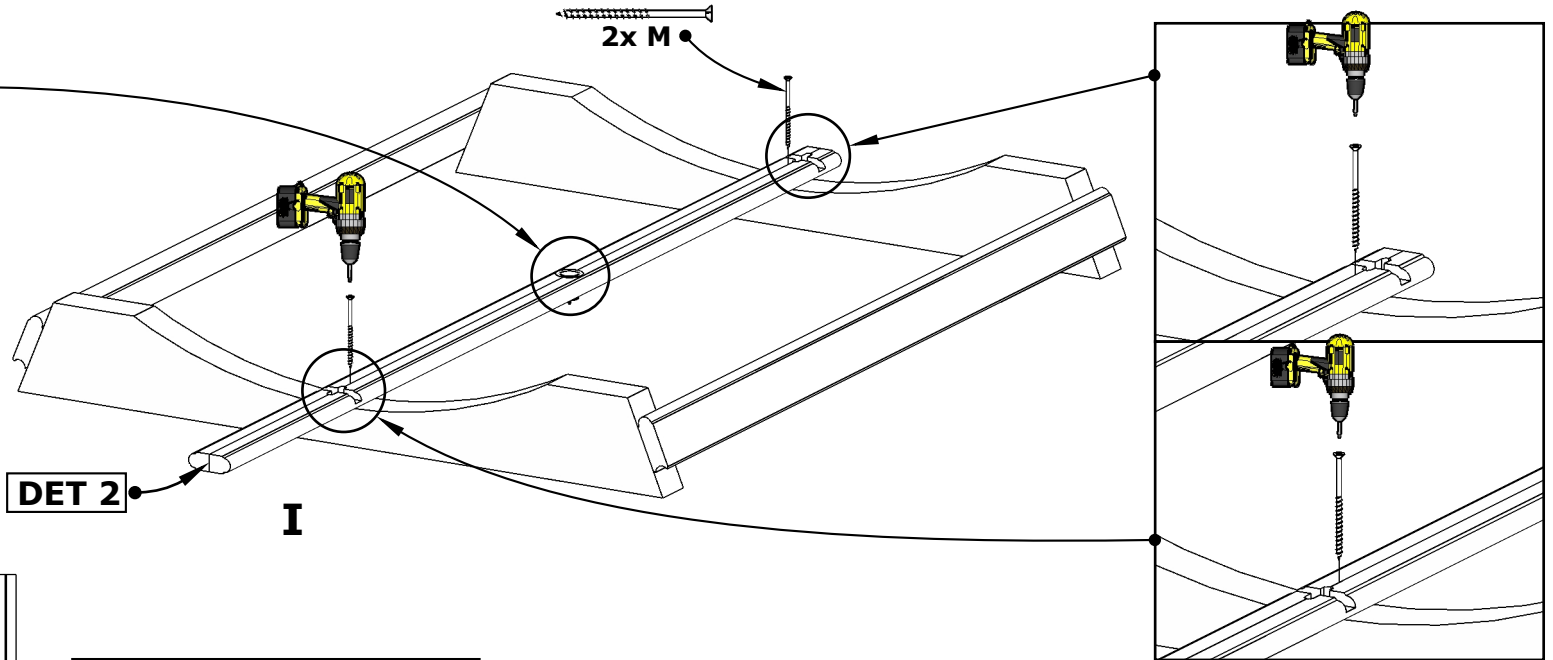
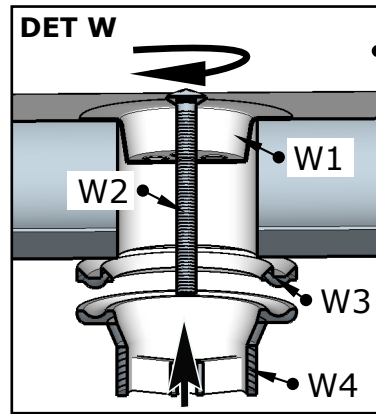
Sauna 280, Ø226



1.

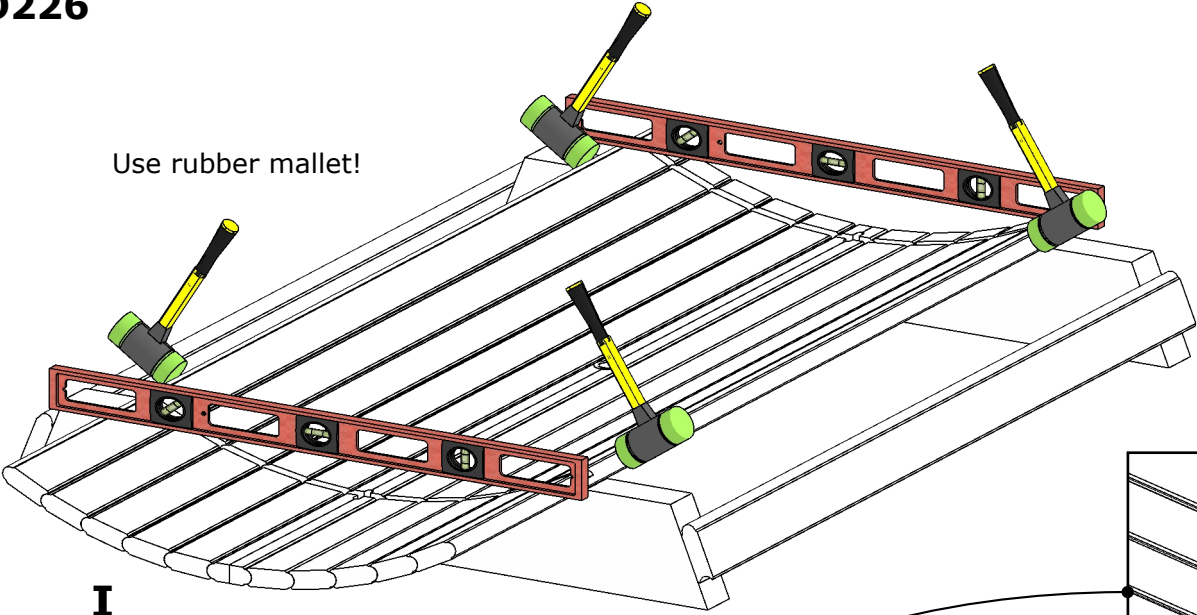
T26/280KE-PK12T

Sauna 280, Ø226

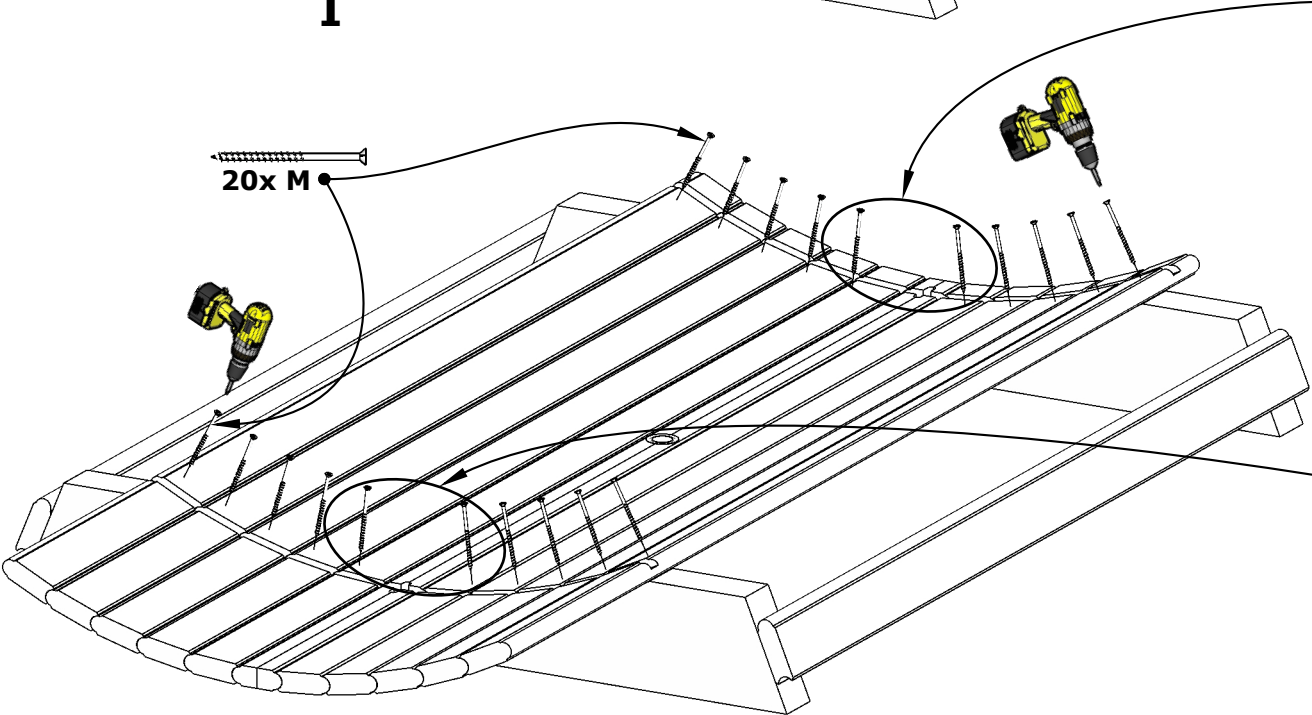


Sauna 280, Ø226

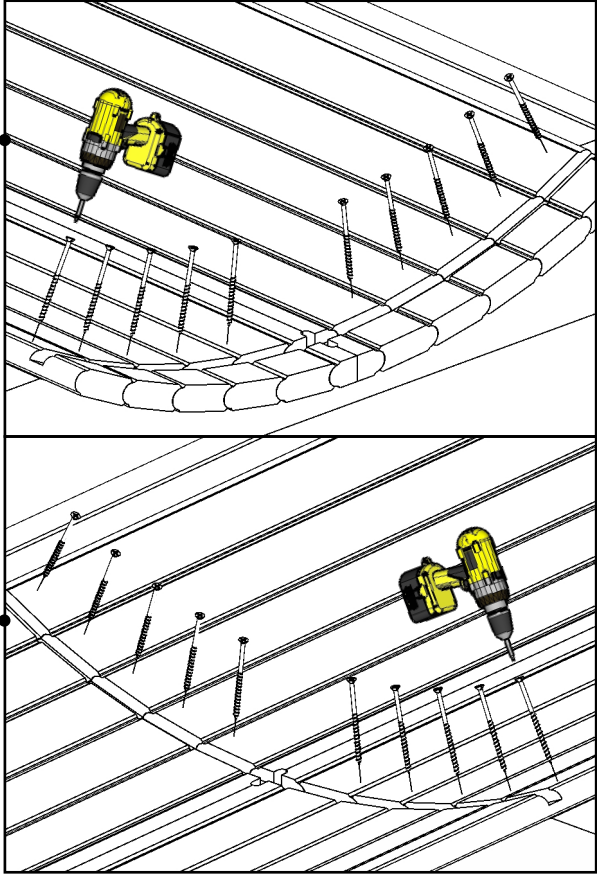
Use rubber mallet!



I

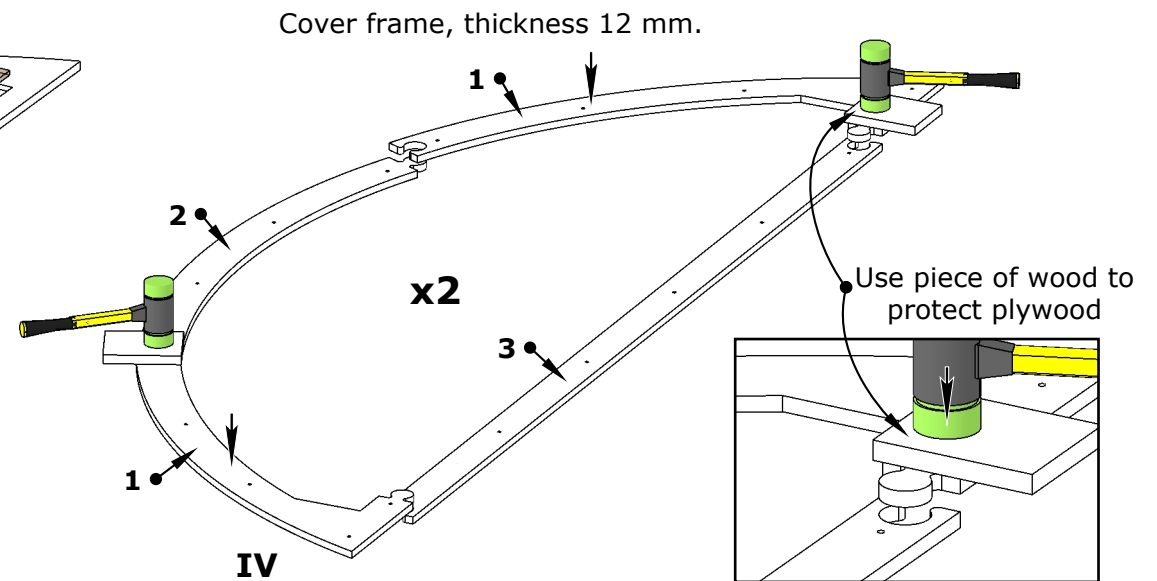
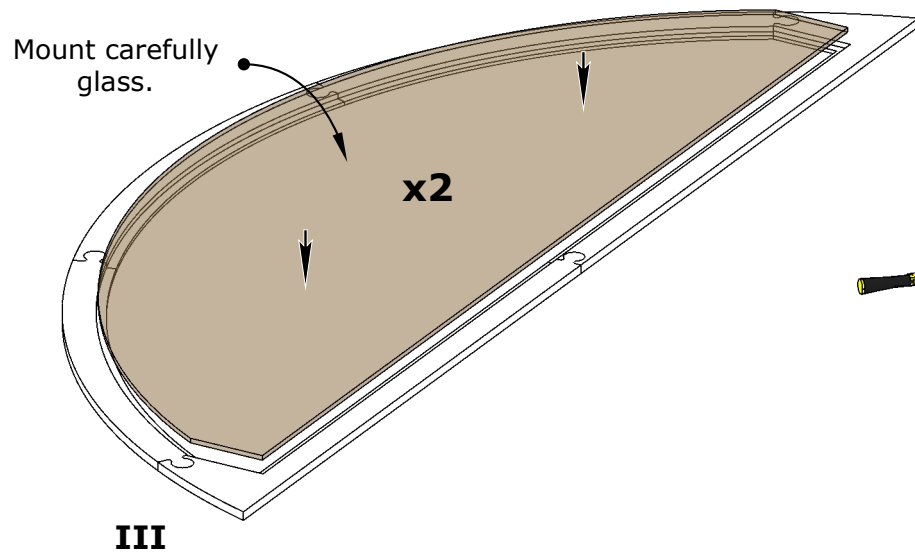
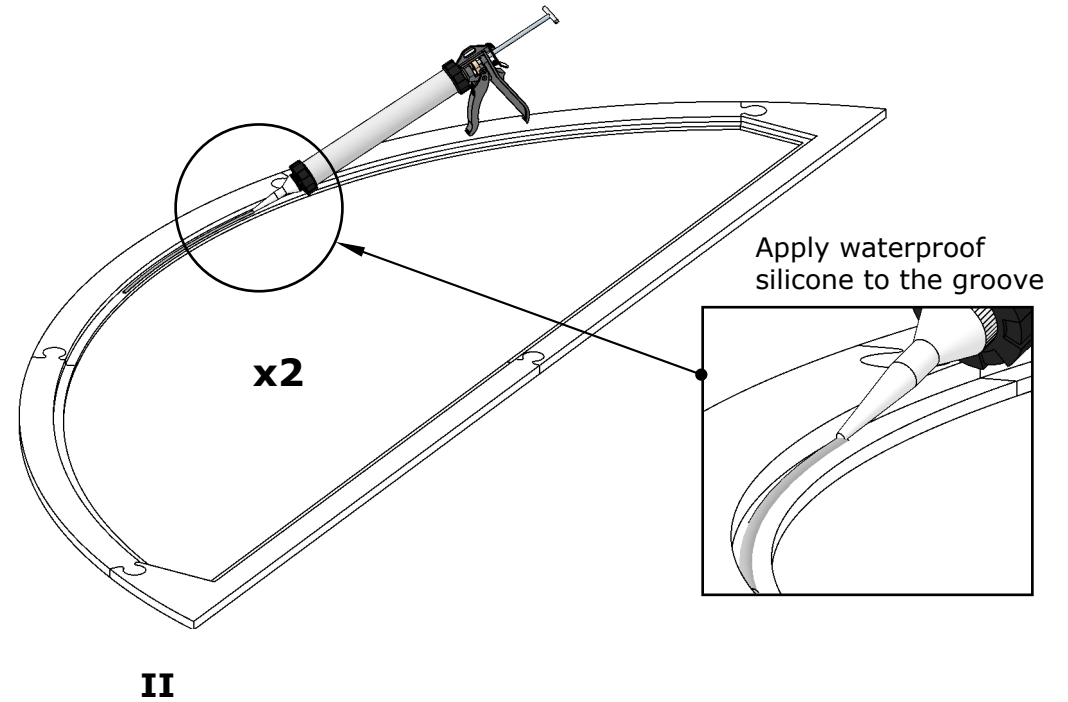
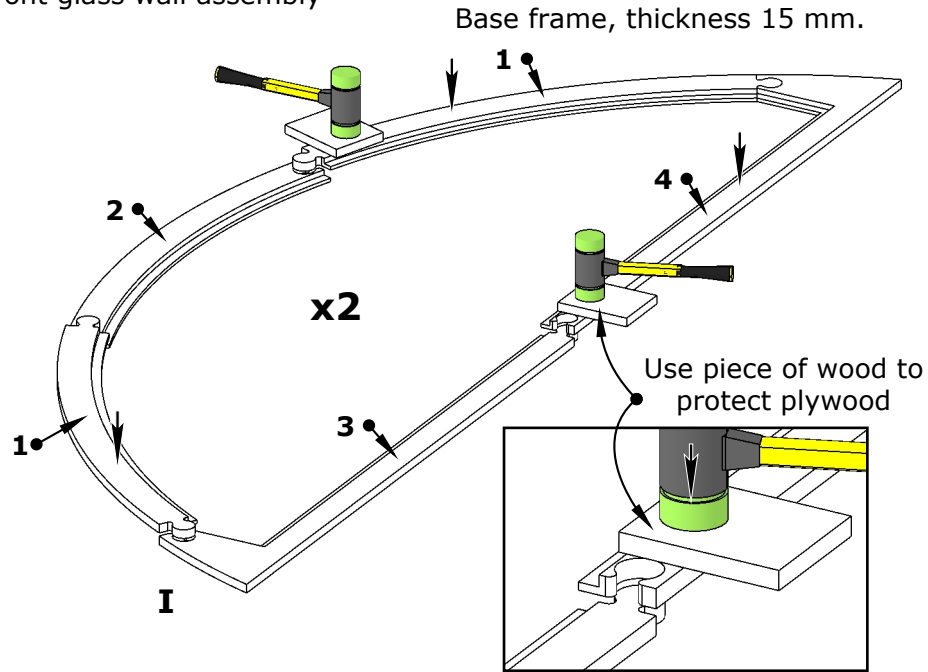


II



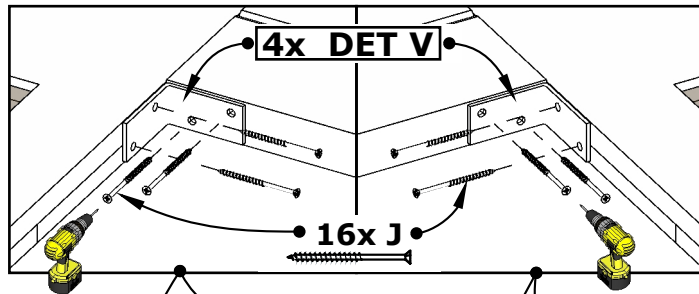
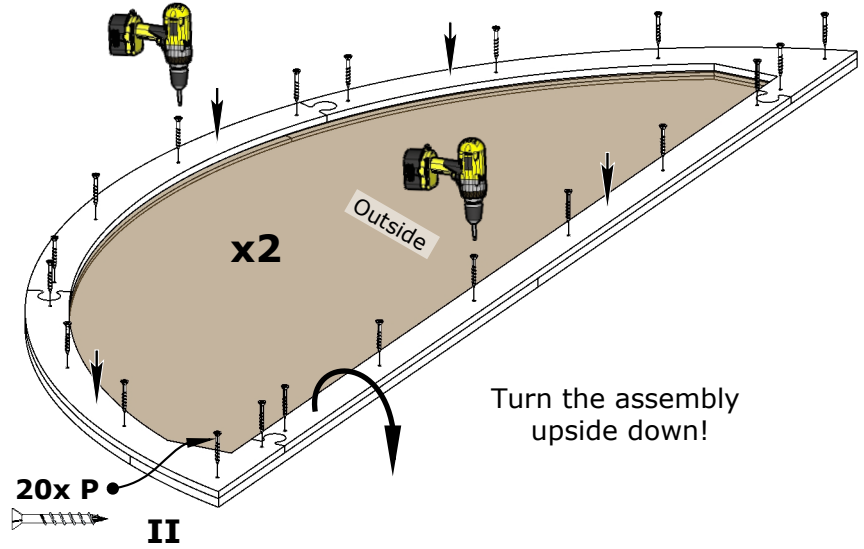
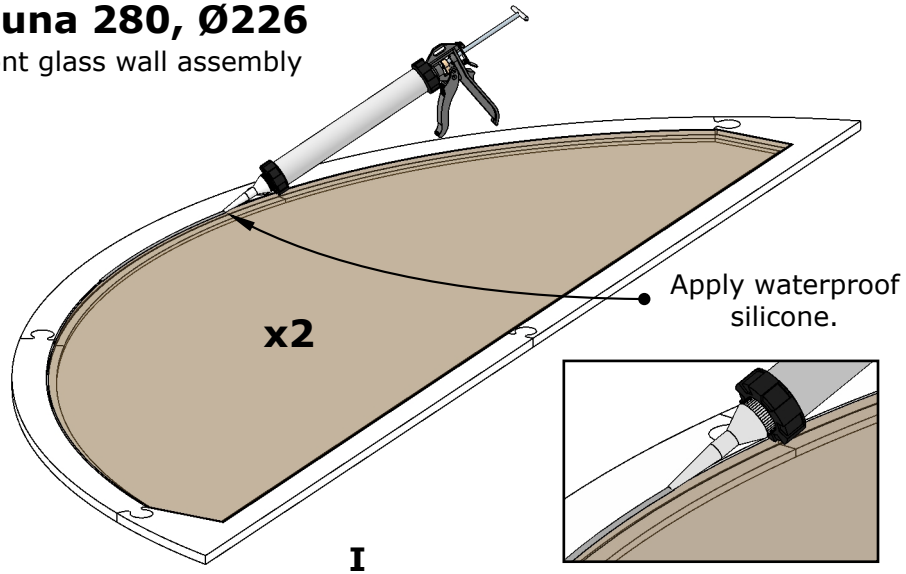
Sauna 280, Ø226

Front glass wall assembly

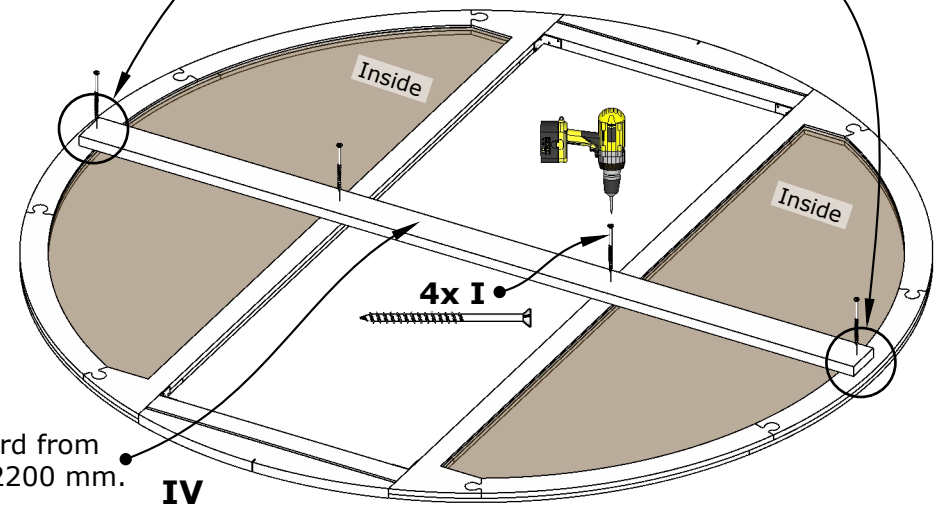
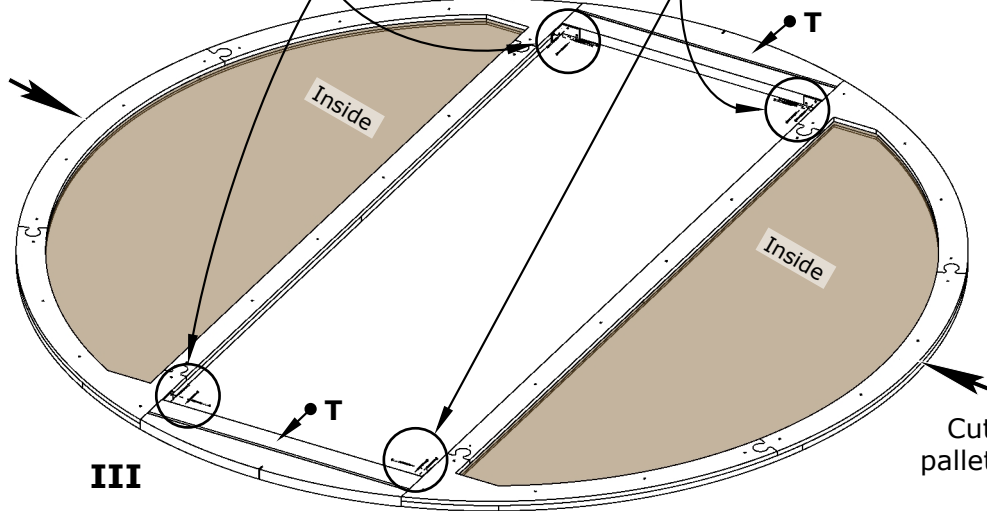
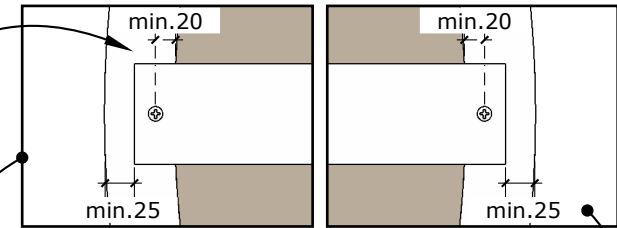


Sauna 280, Ø226

Front glass wall assembly

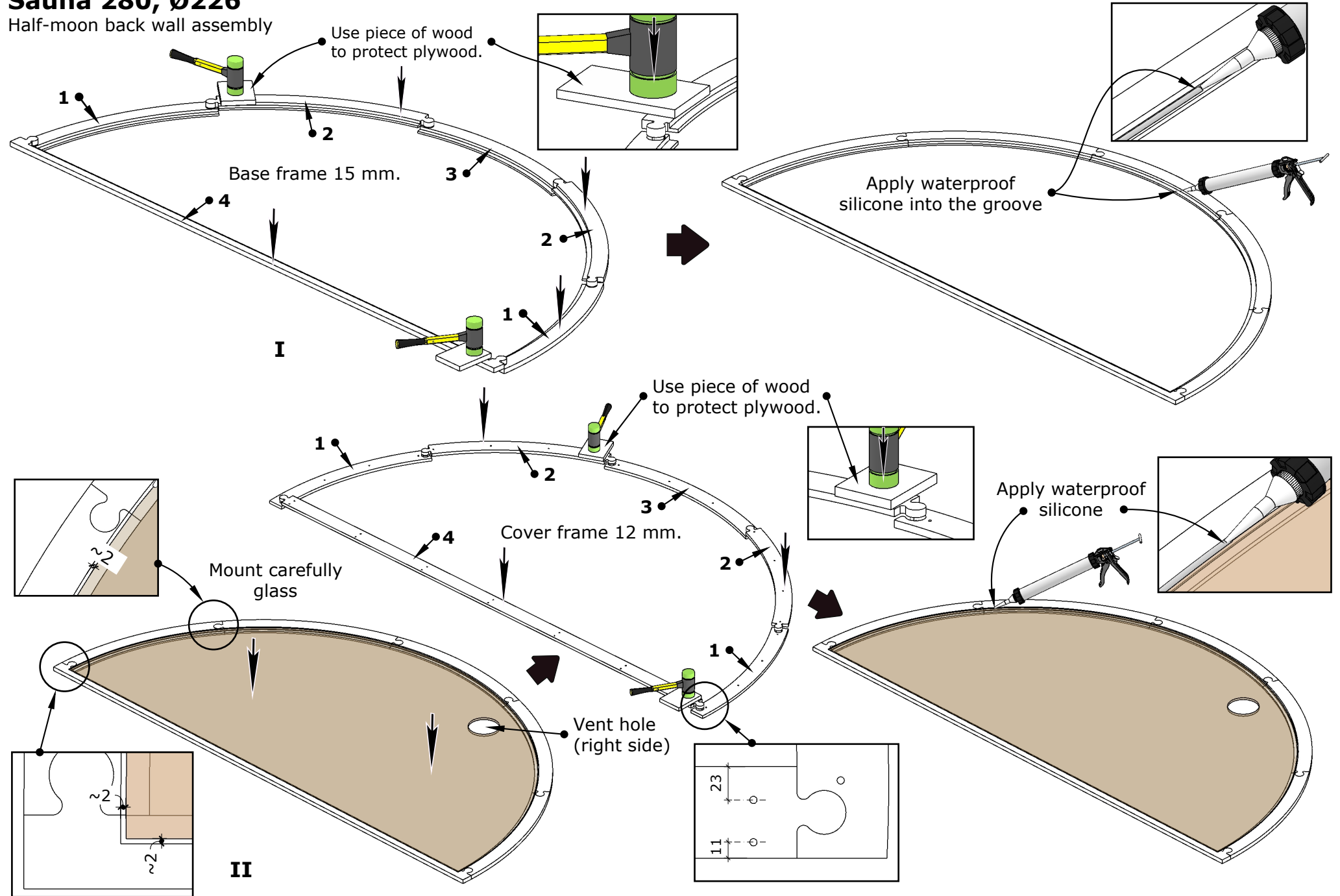


Attention!
Be extra careful
to not hit
the glass!!!



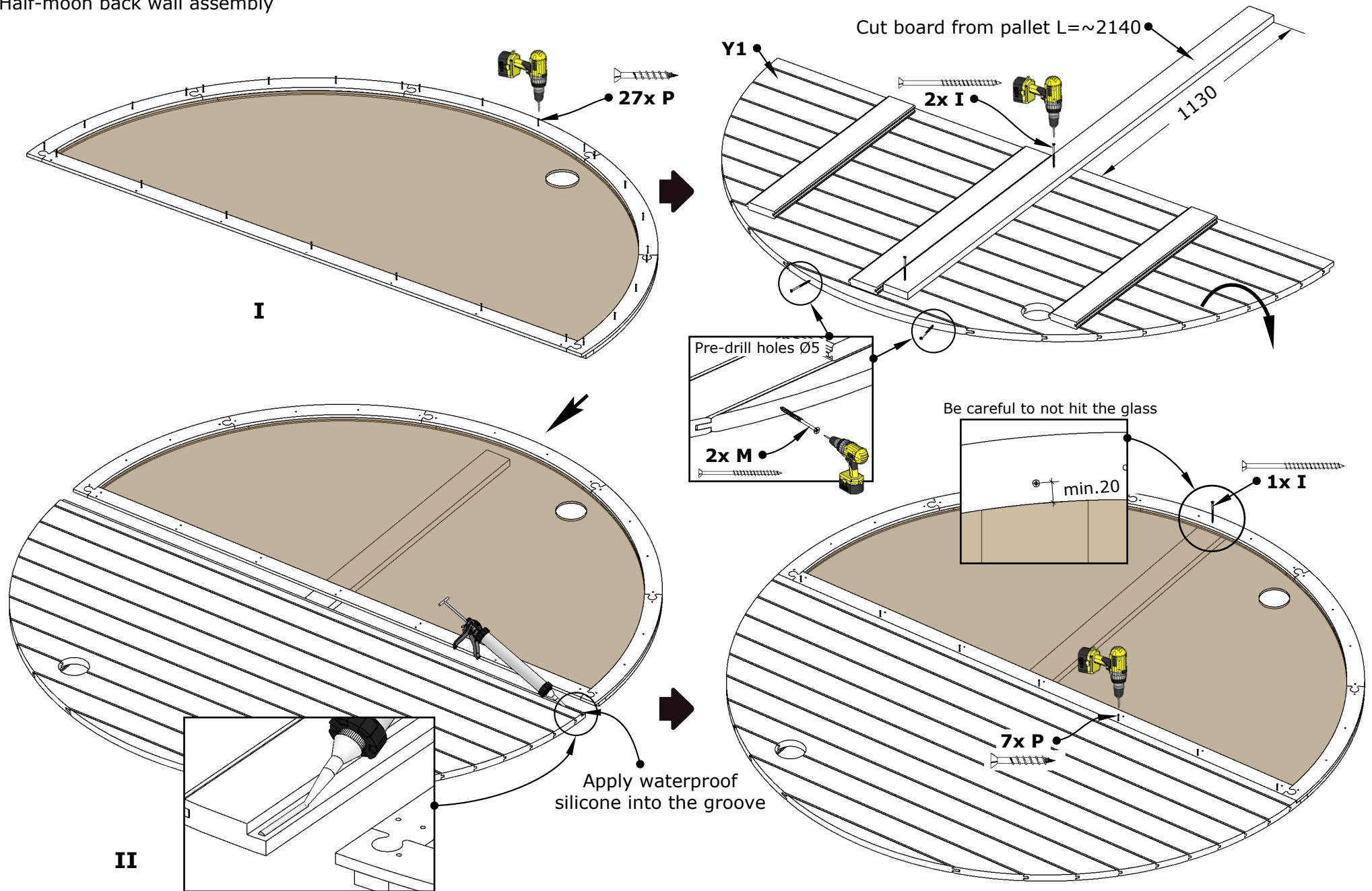
Sauna 280, Ø226

Half-moon back wall assembly



Sauna 280, Ø226

Half-moon back wall assembly



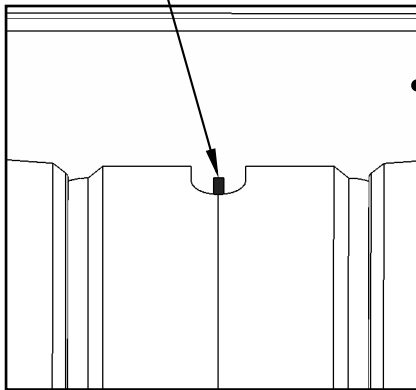
Sauna 280, Ø226



Use waterlevel

DET 3a
DET 3b
Fix temporarily to support walls.

Make sure the marking on all walls is centered in the notch.

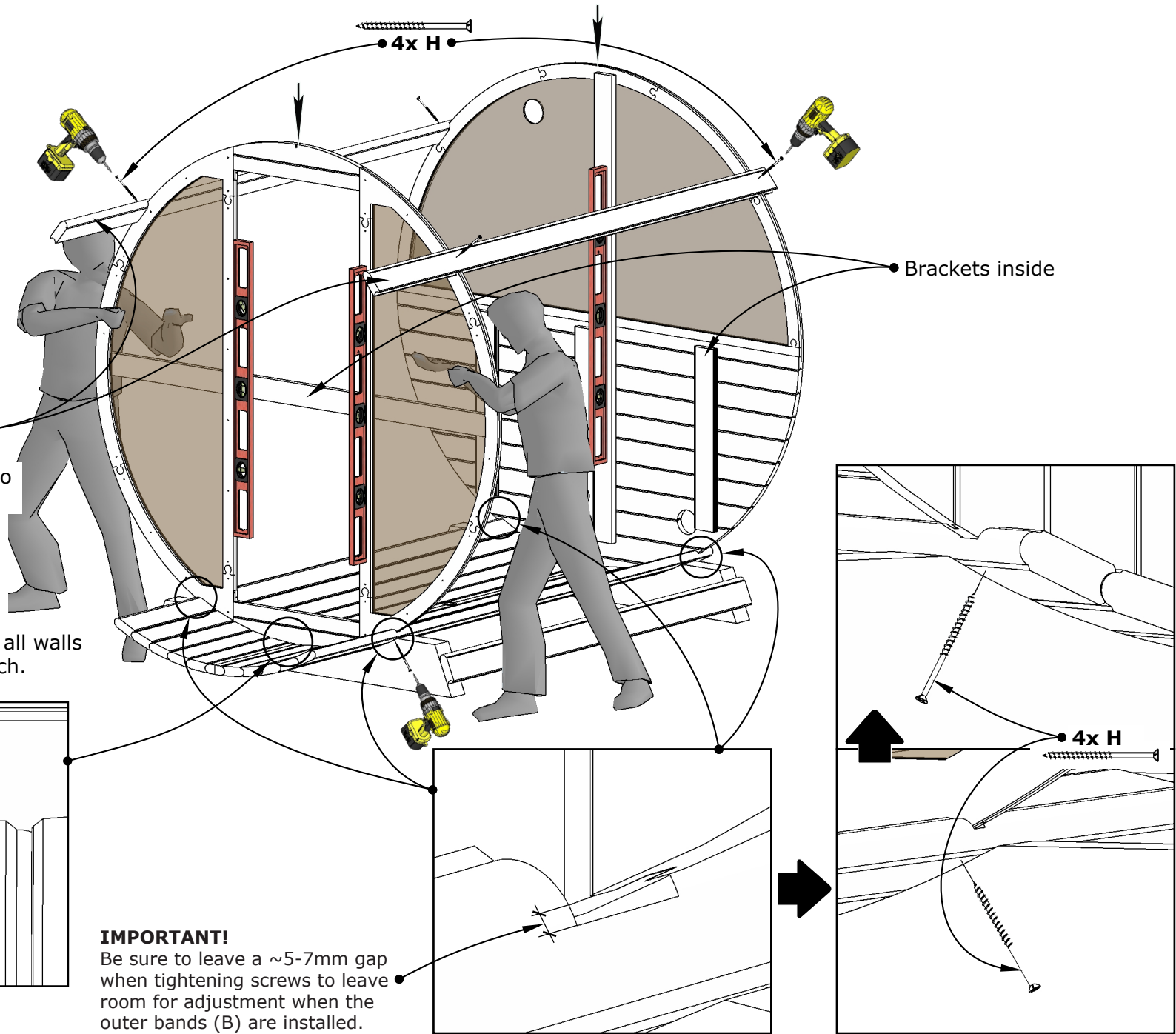


IMPORTANT!

Be sure to leave a ~5-7mm gap when tightening screws to leave room for adjustment when the outer bands (B) are installed.

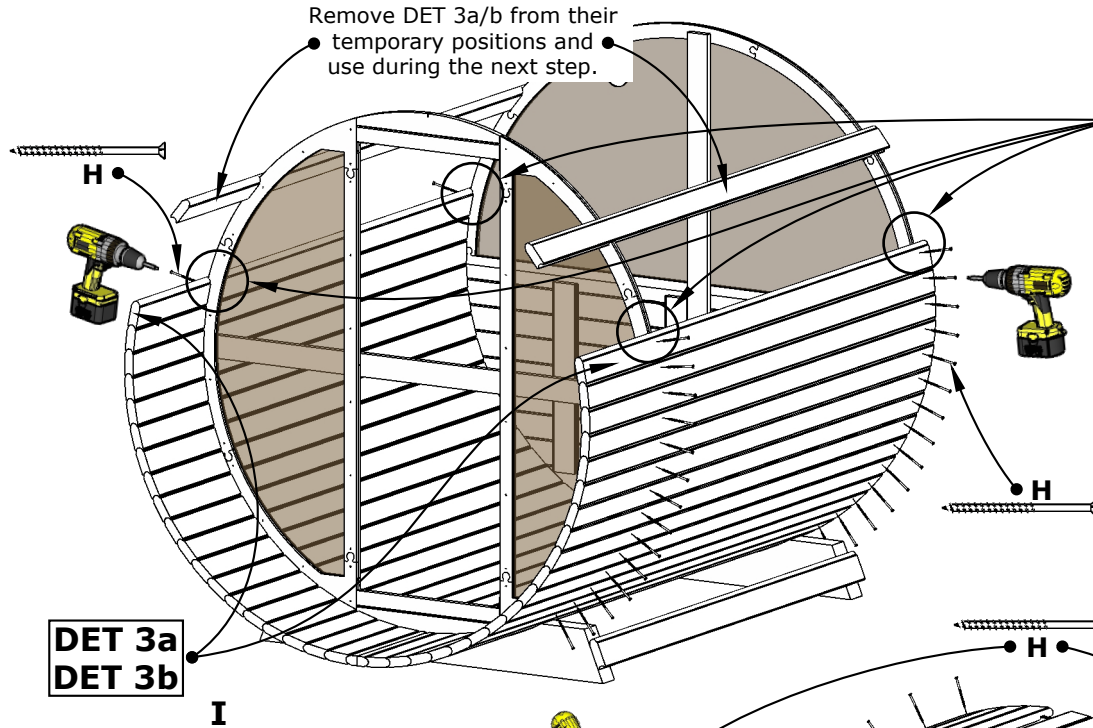
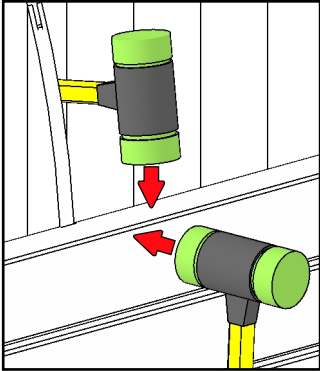
T26/280KE-PK12T

8.



Sauna 280, Ø226

Use rubber mallet!



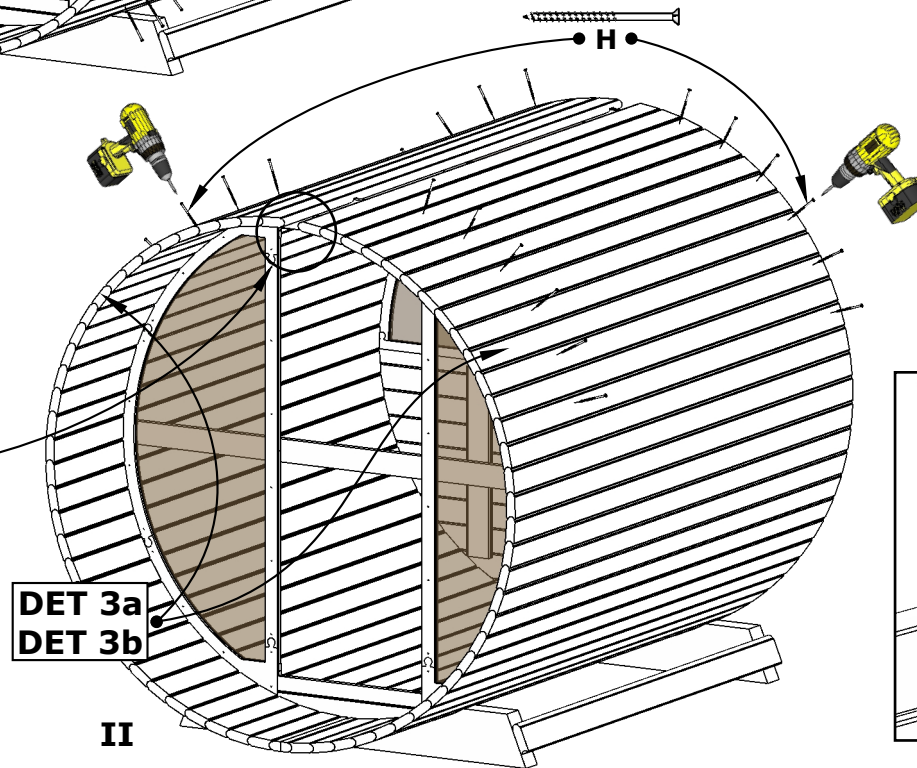
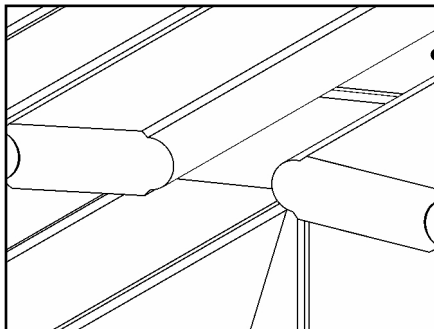
Important!
Leave space

IMPORTANT! Be sure to leave a ~5-7 mm. gap when tightening screws to leave room for adjustment when the outer bands (B) are installed.

DET 3a
DET 3b

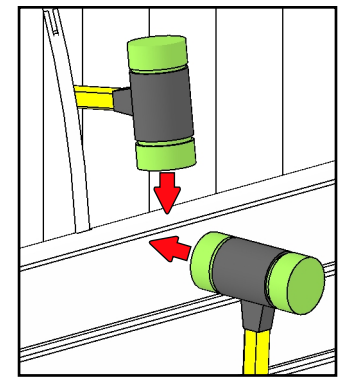
I

See the next page.



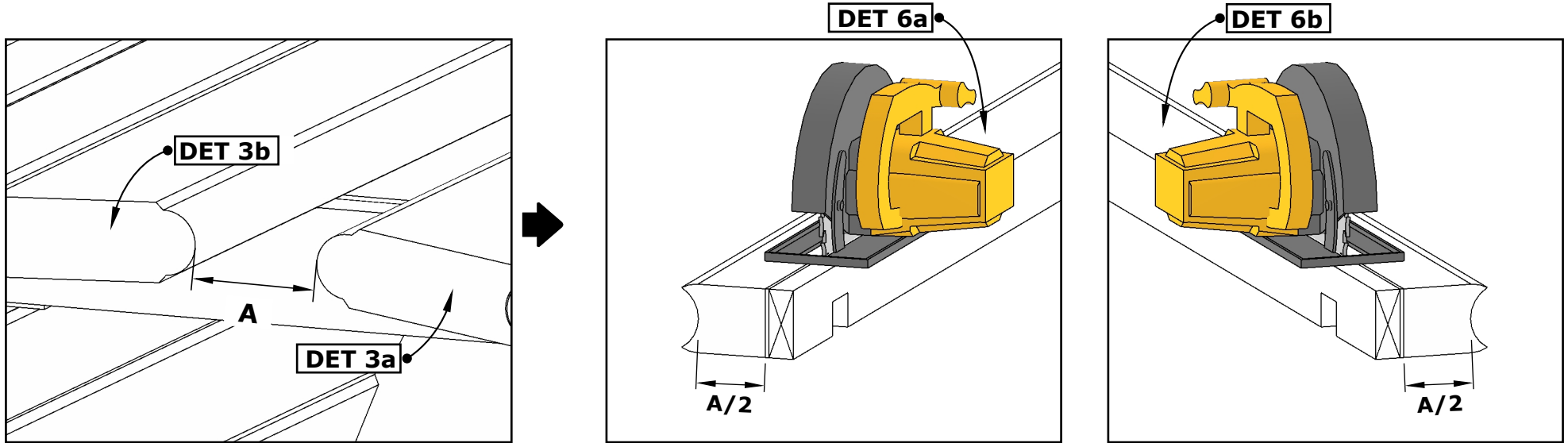
DET 3a
DET 3b

II

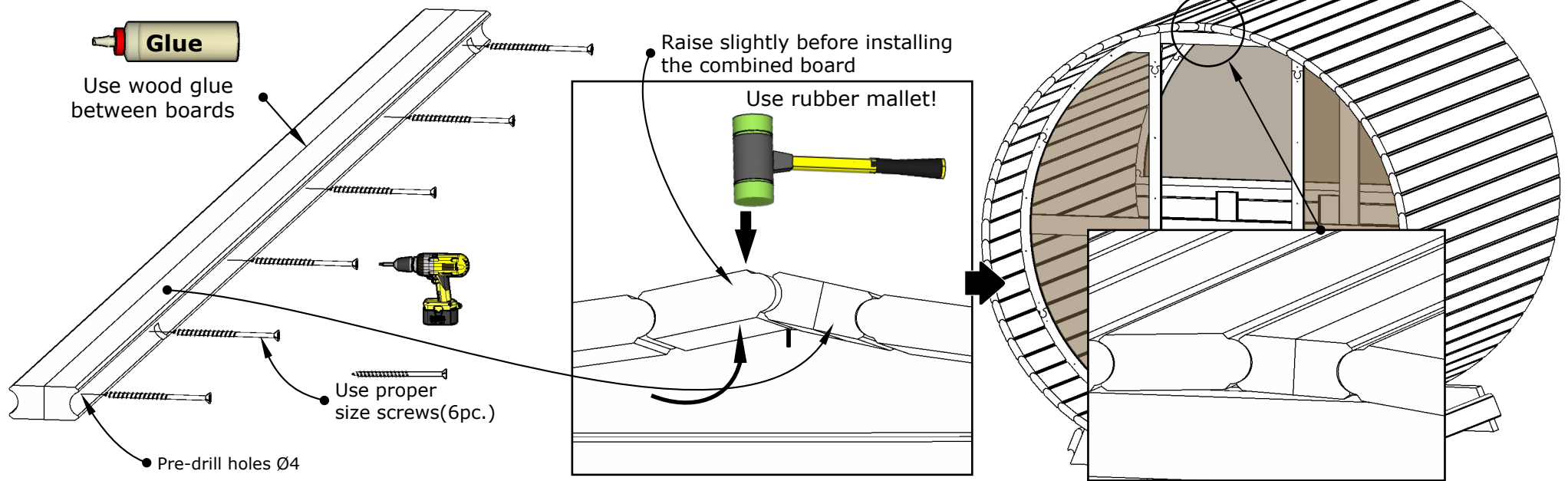


Use rubber mallet!

Sauna 280, Ø226

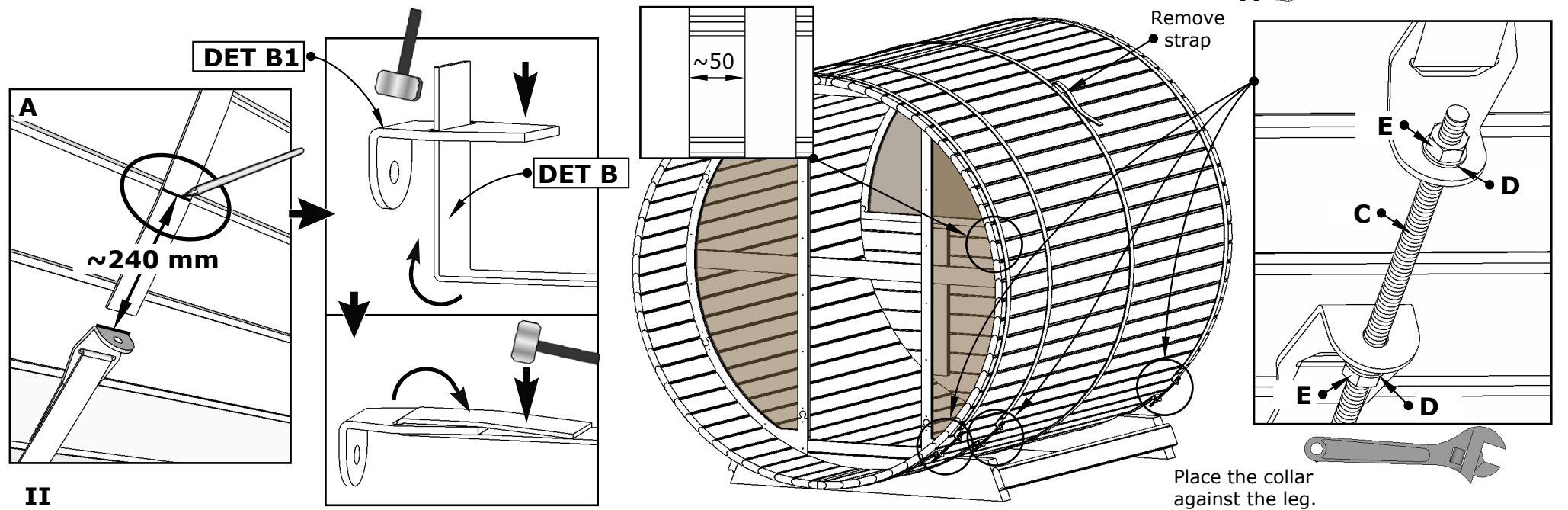
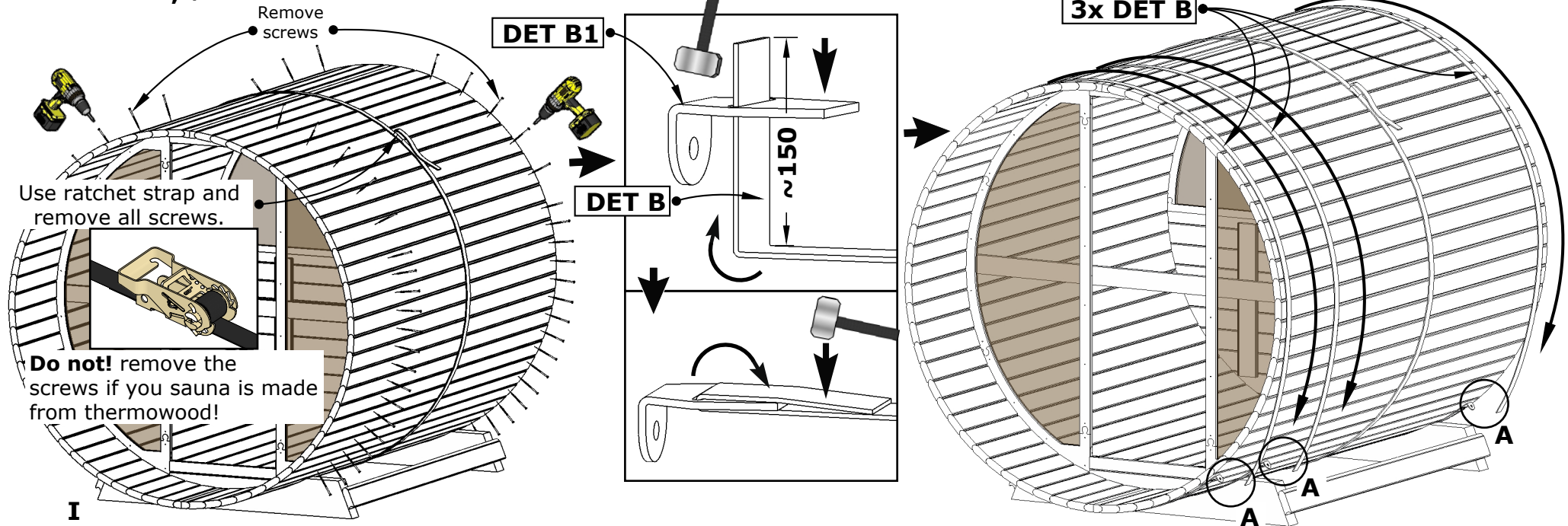


I

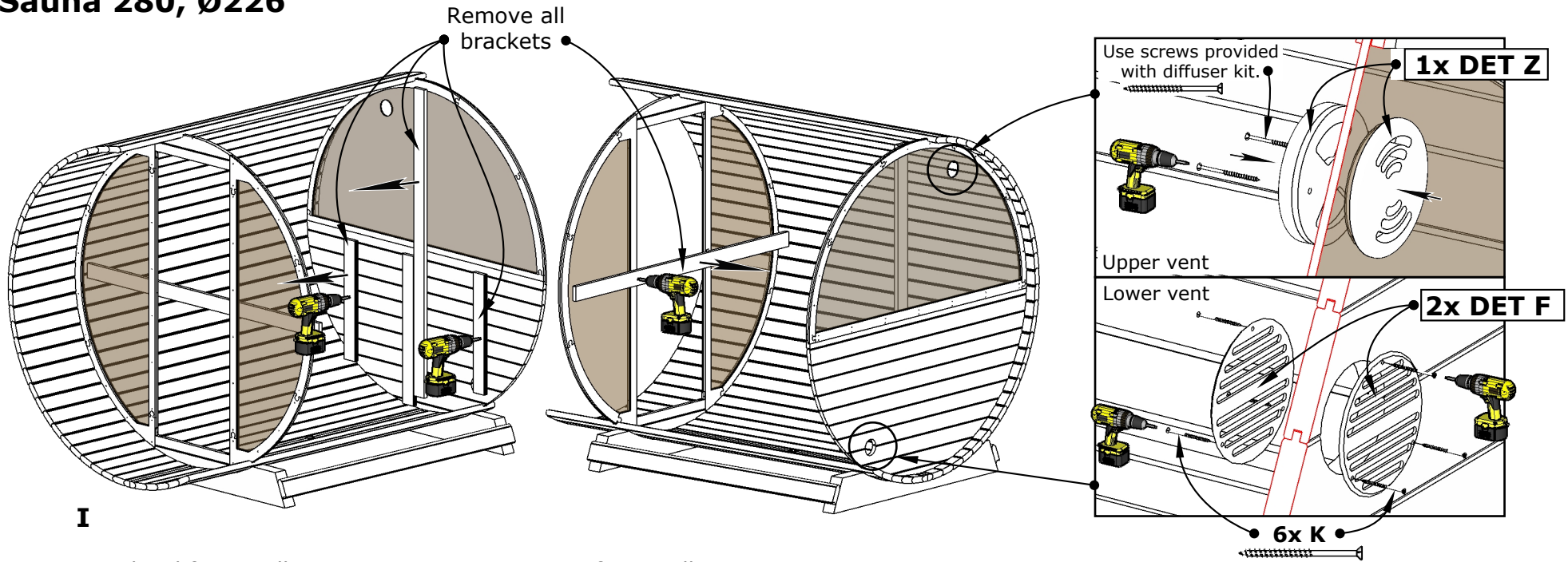


II

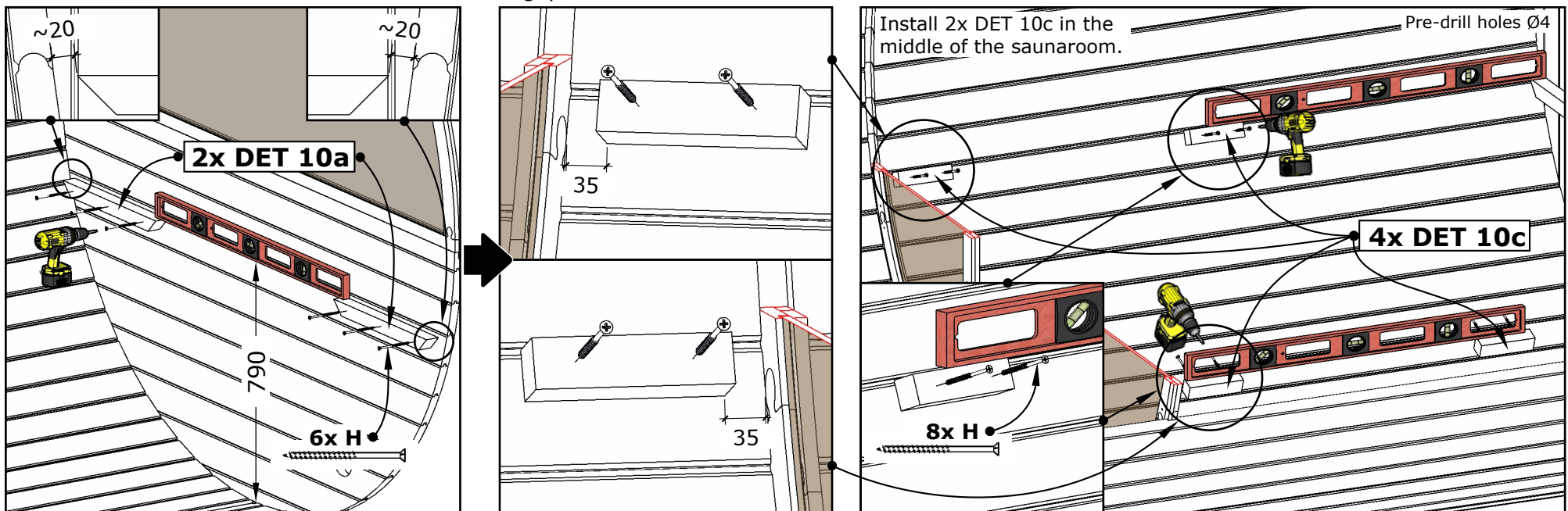
Sauna 280, Ø226



Sauna 280, Ø226

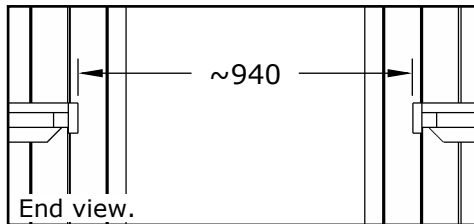
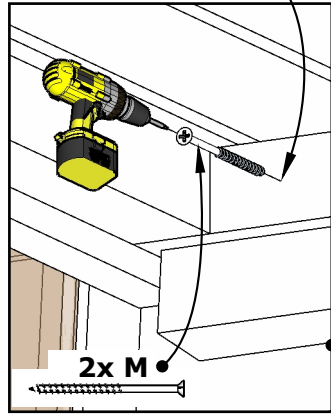


Use waterlevel for installation! Leave ~20 mm gap from wall staves.

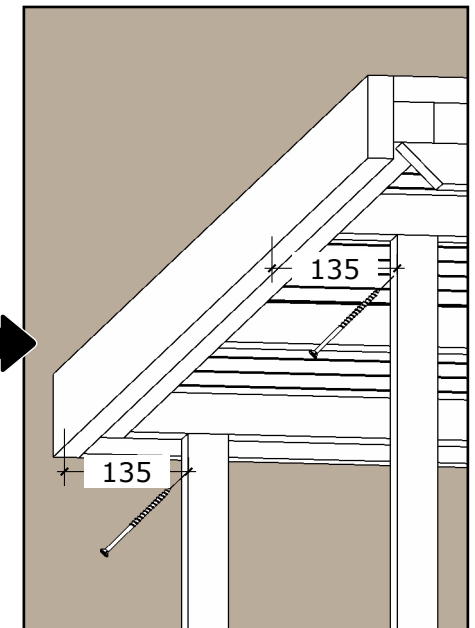
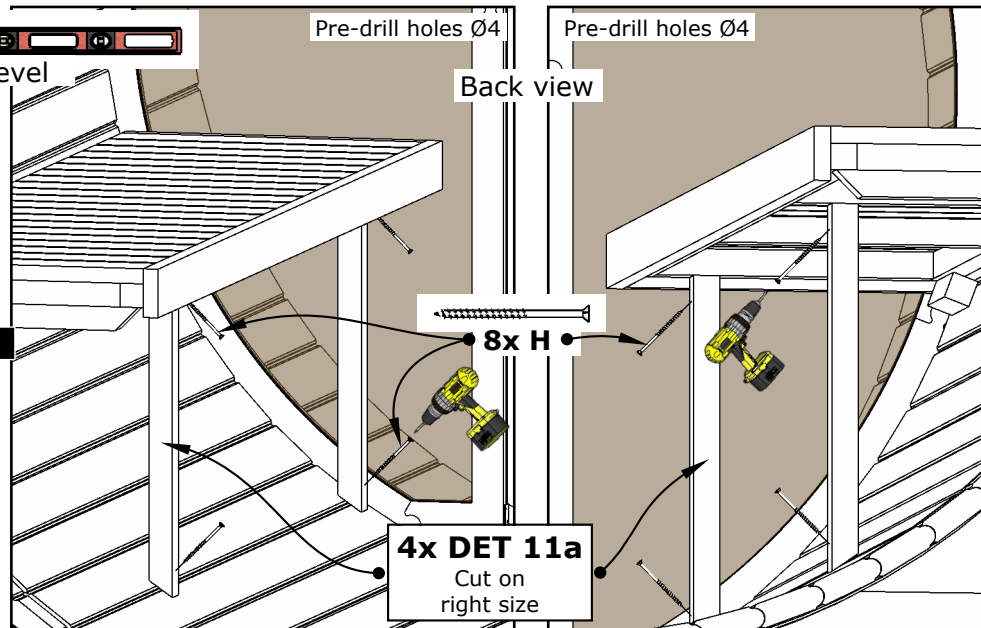
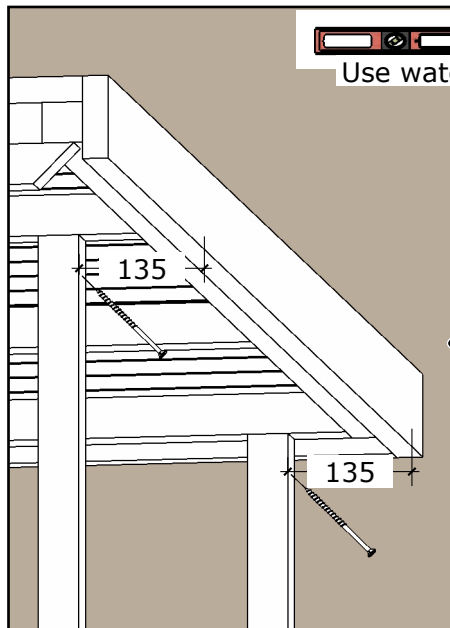
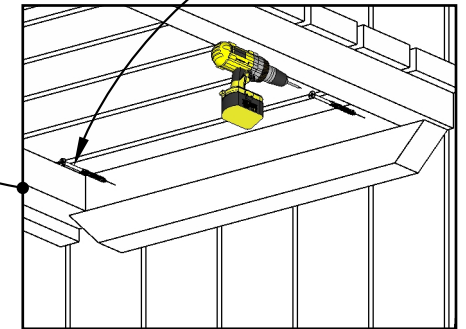
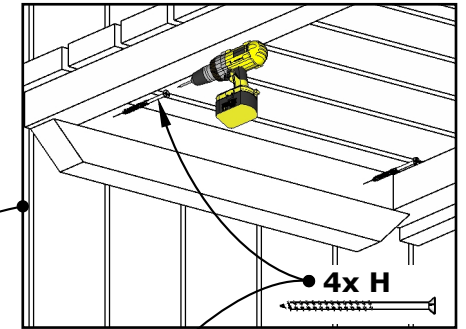
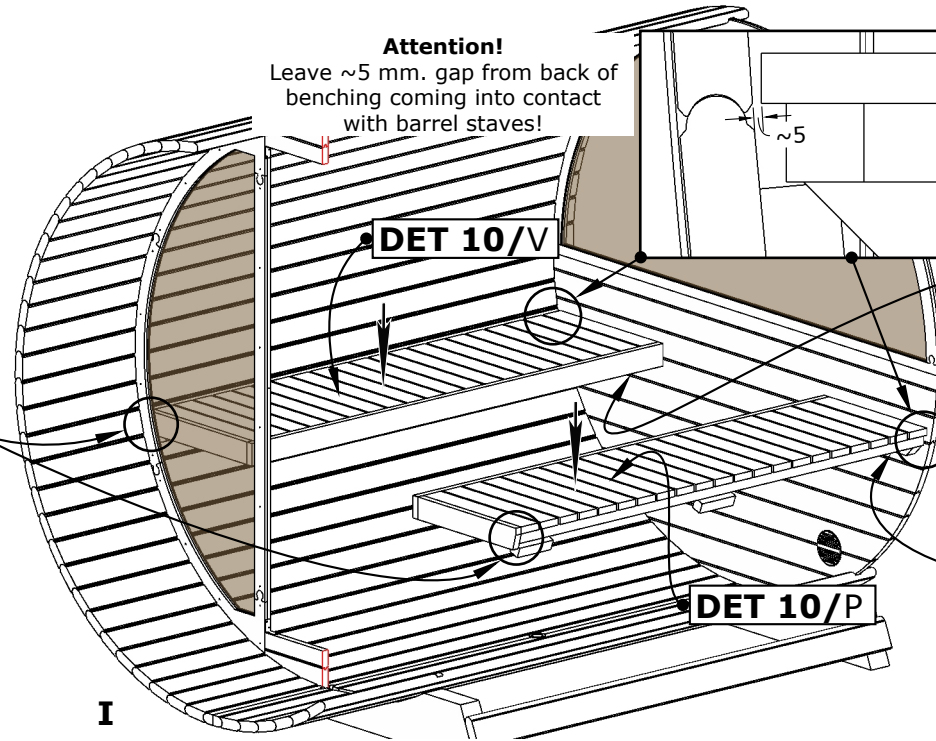


Sauna 280, Ø226

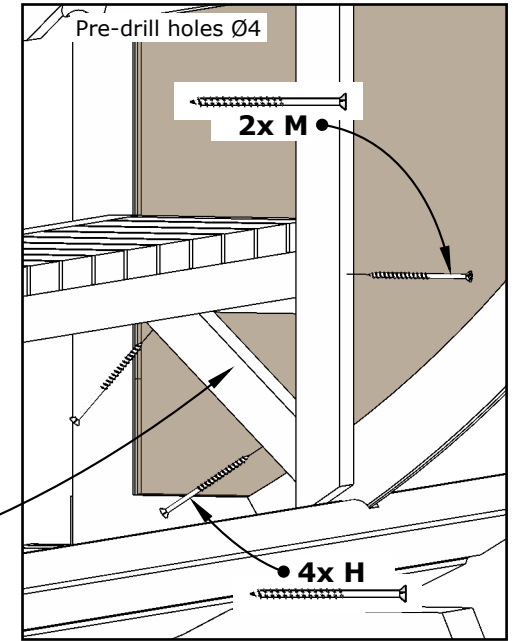
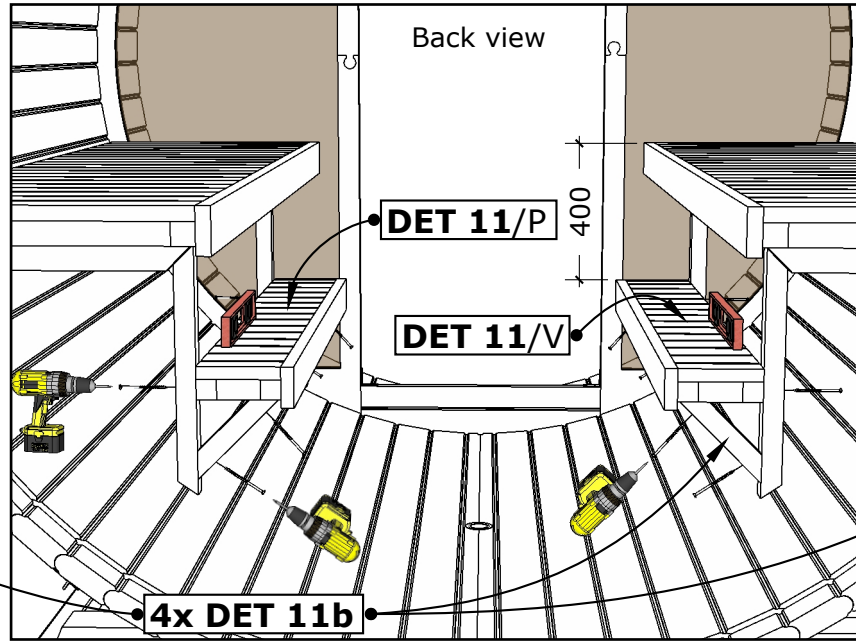
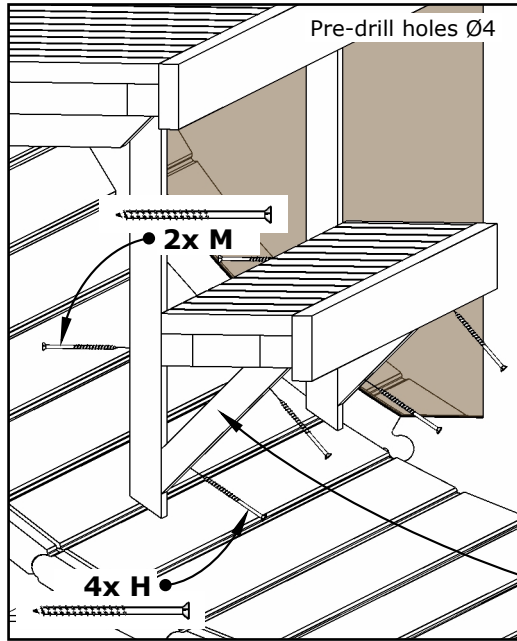
Do not over tighten!



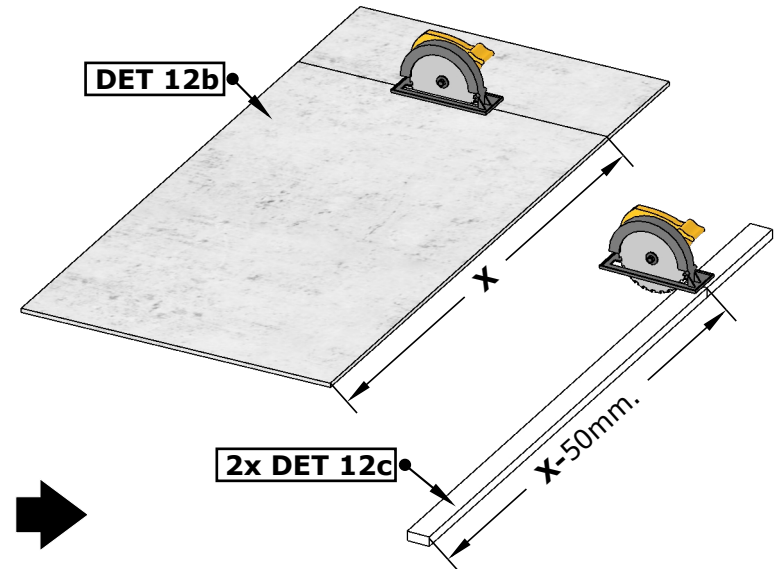
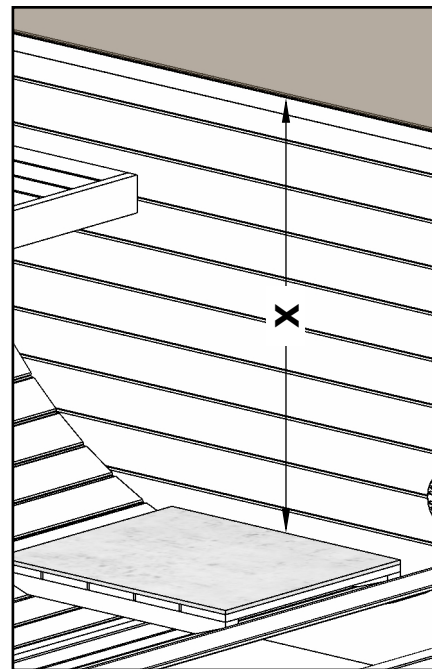
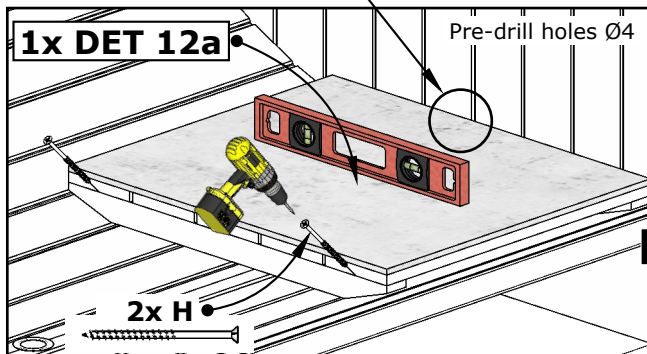
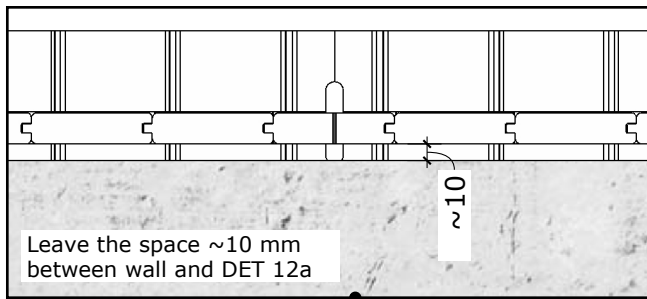
Attention!
Leave ~5 mm. gap from back of
benching coming into contact
with barrel staves!



Sauna 280, Ø226



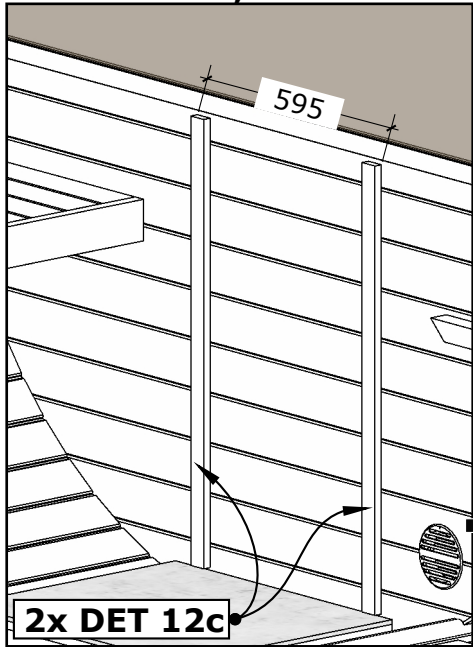
I



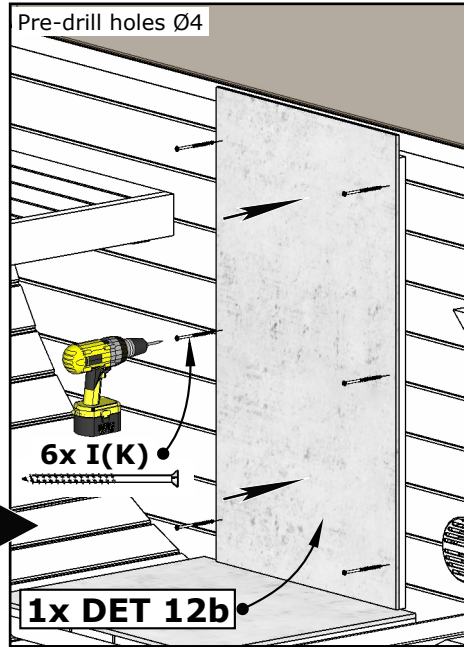
14. II

T26/280KE-PK12T

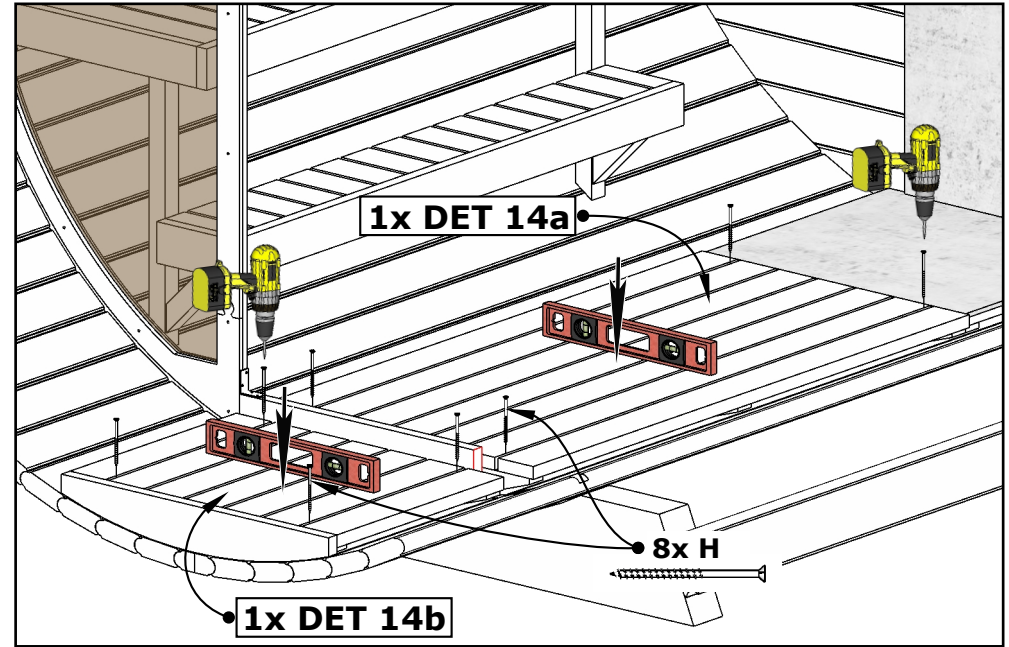
Sauna 280, Ø226



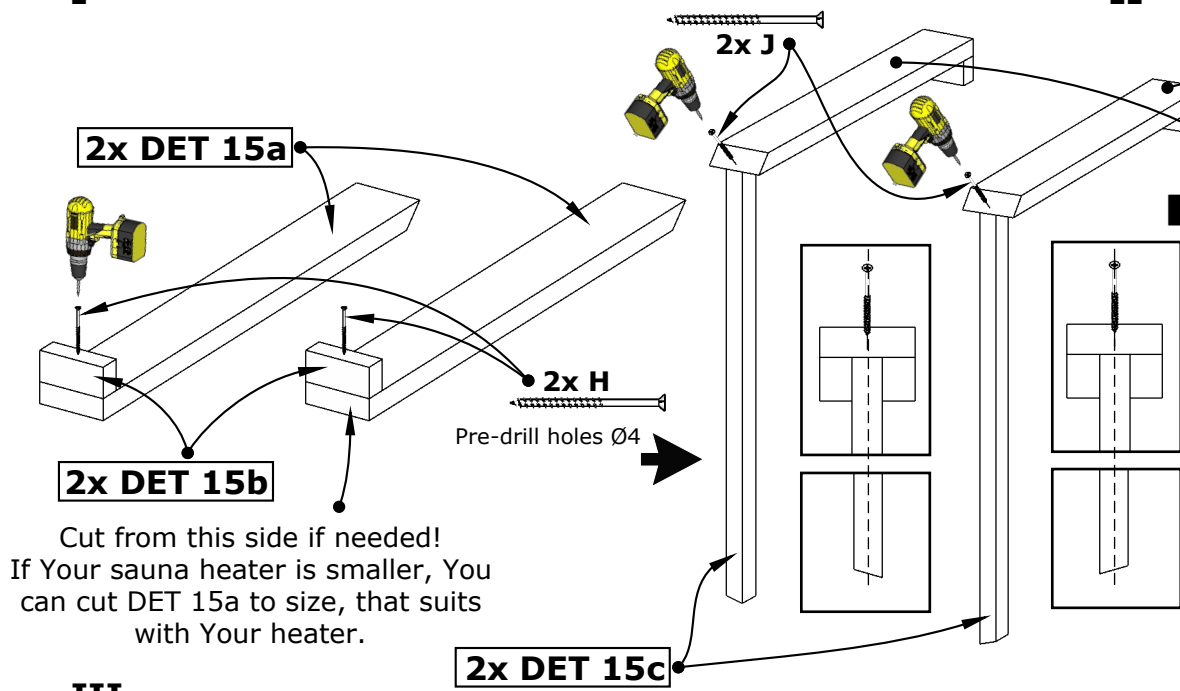
I



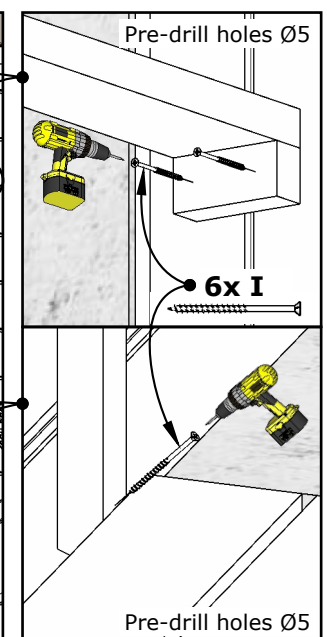
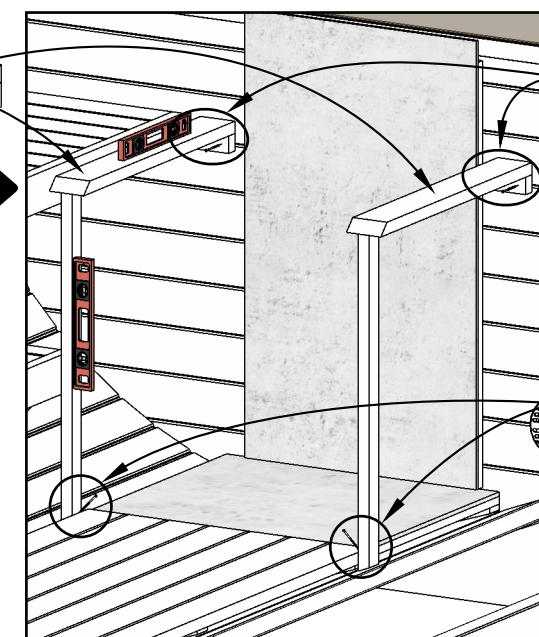
If Your sauna equipped with electrical heater, fix DET 12b directly to the wall without DET 12c. Then use screws K.



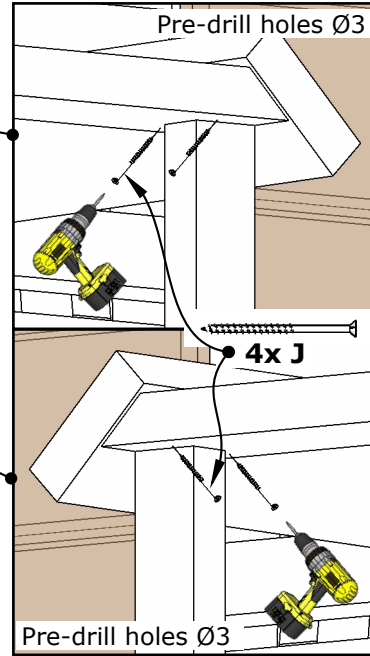
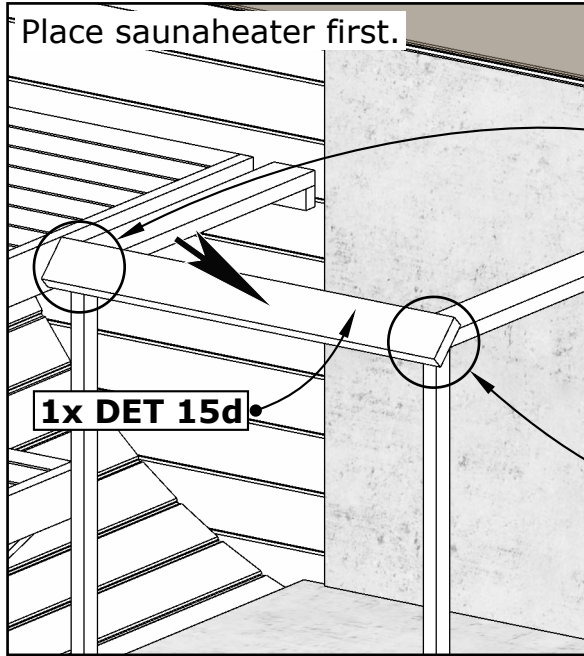
II



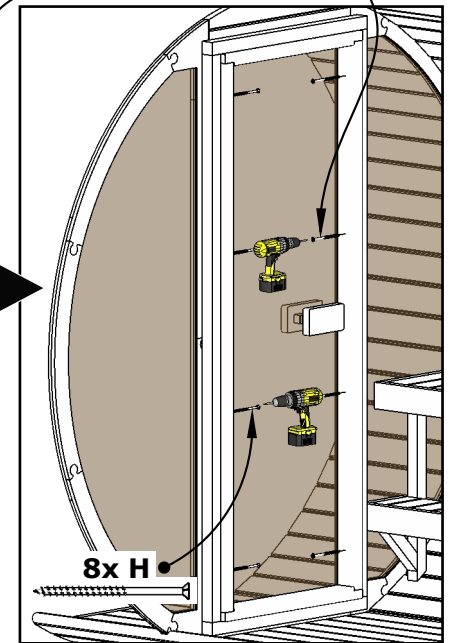
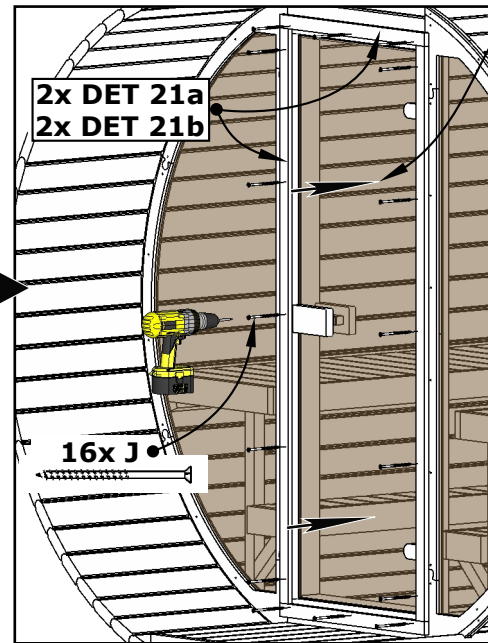
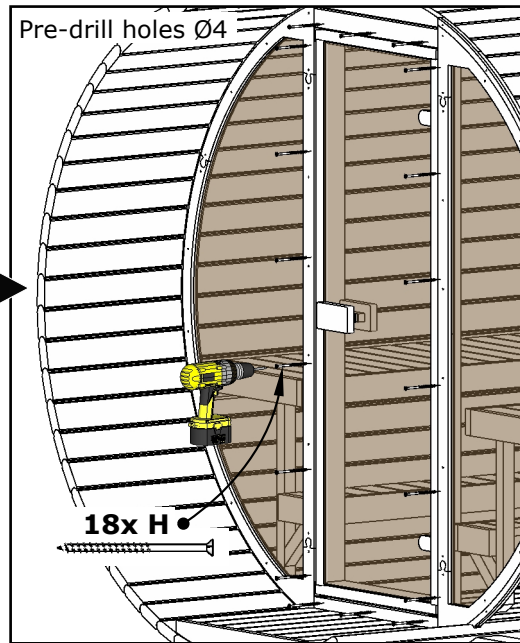
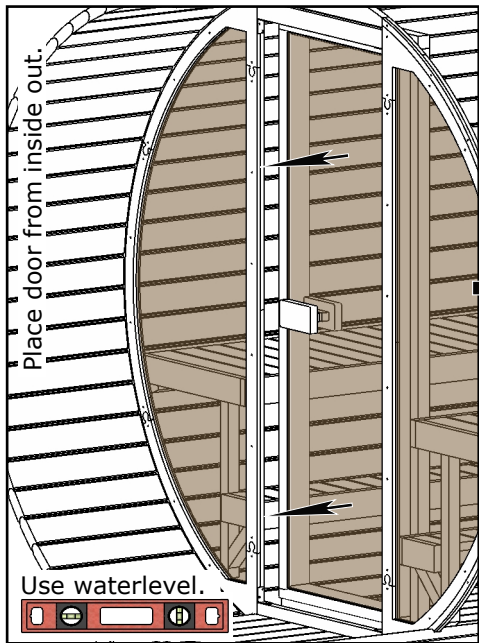
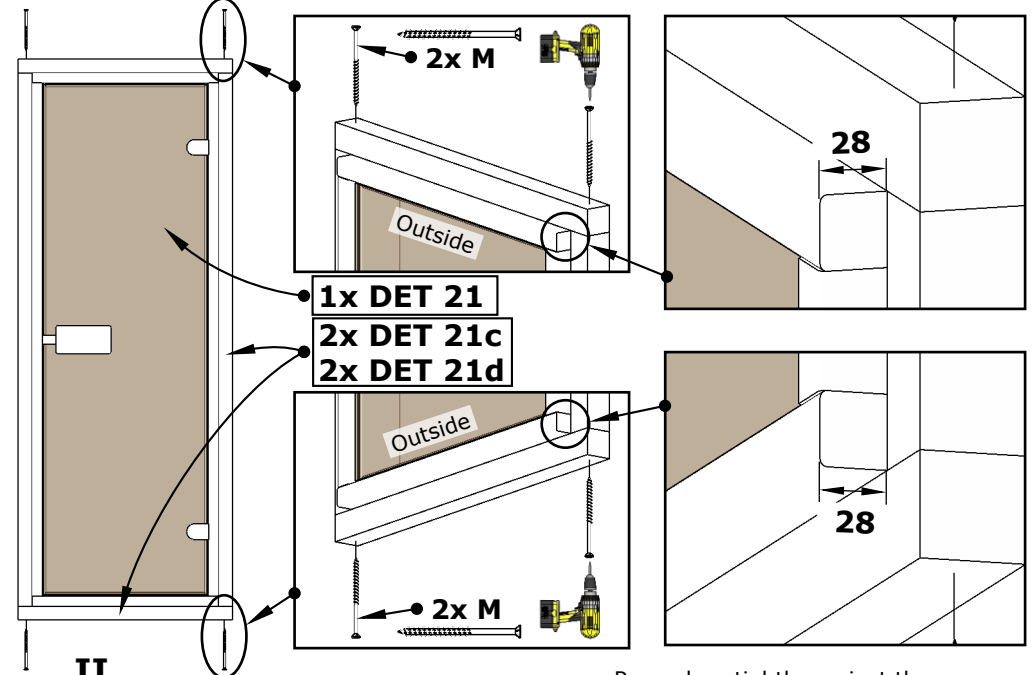
III



Sauna 280, Ø226

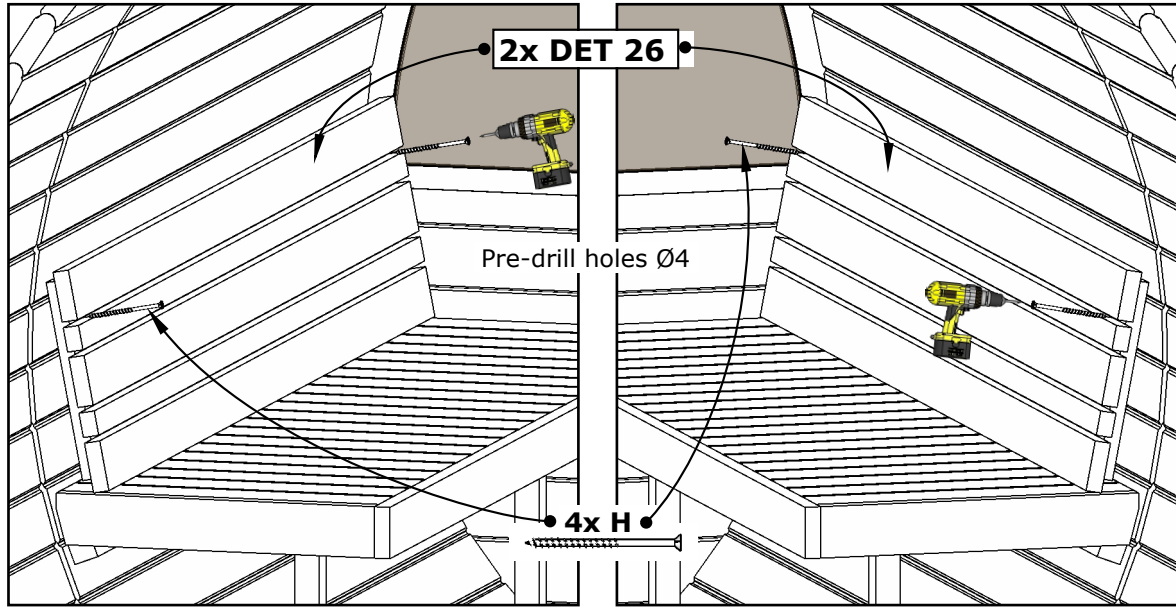


Pre-drill holes Ø5

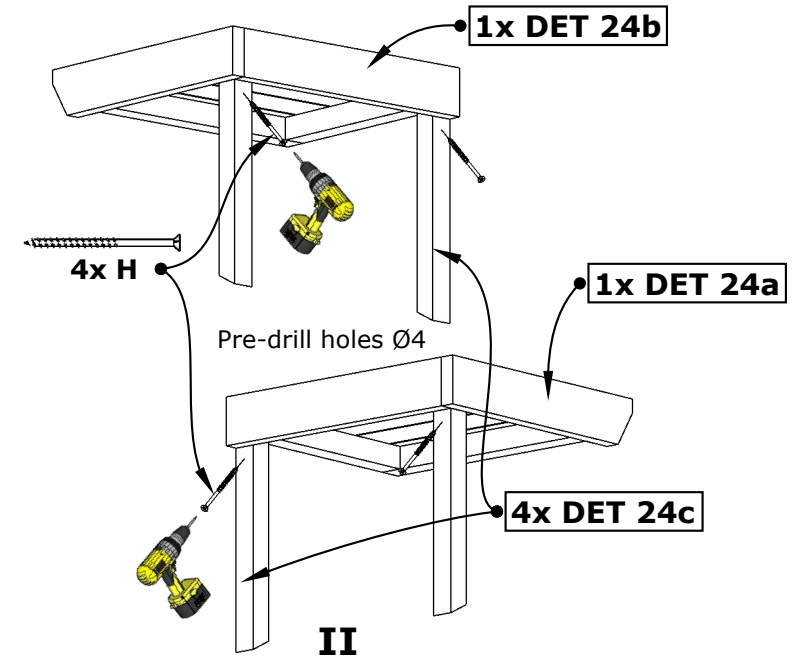


Press door tightly against the wall and fasten from inside

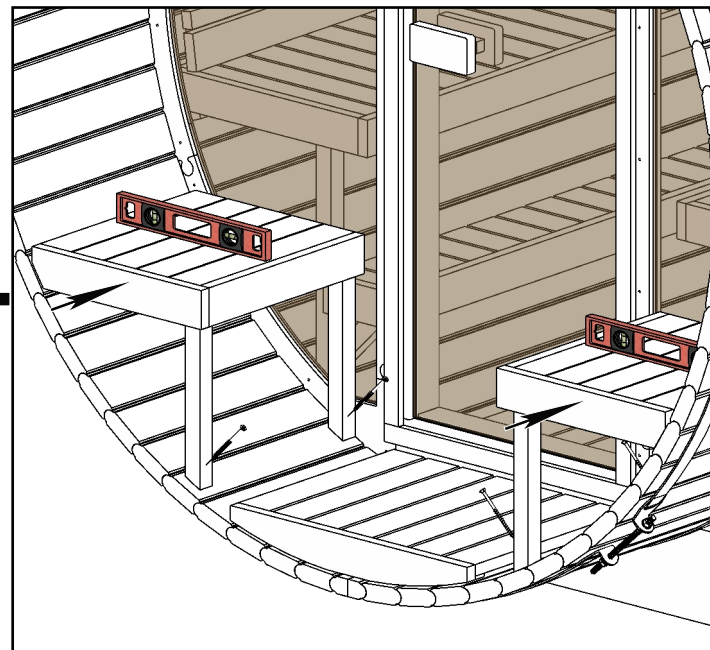
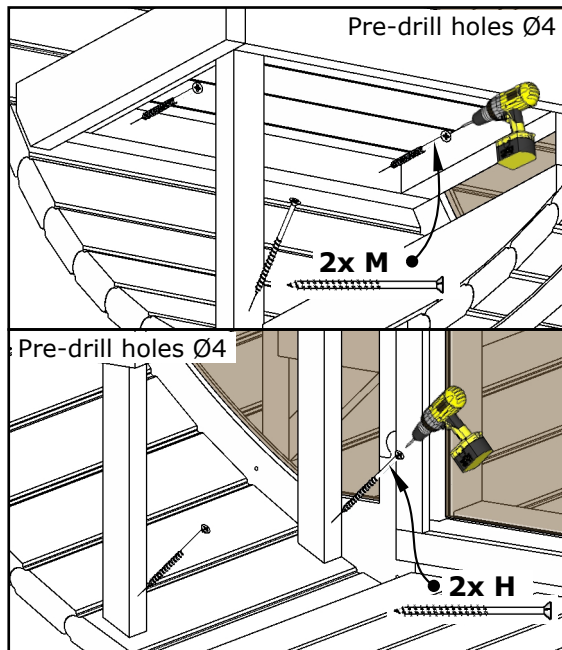
Sauna 280, Ø226



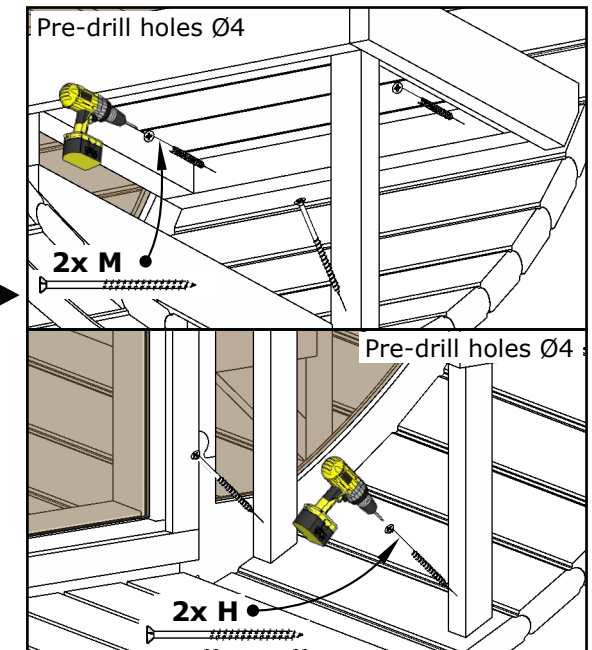
I



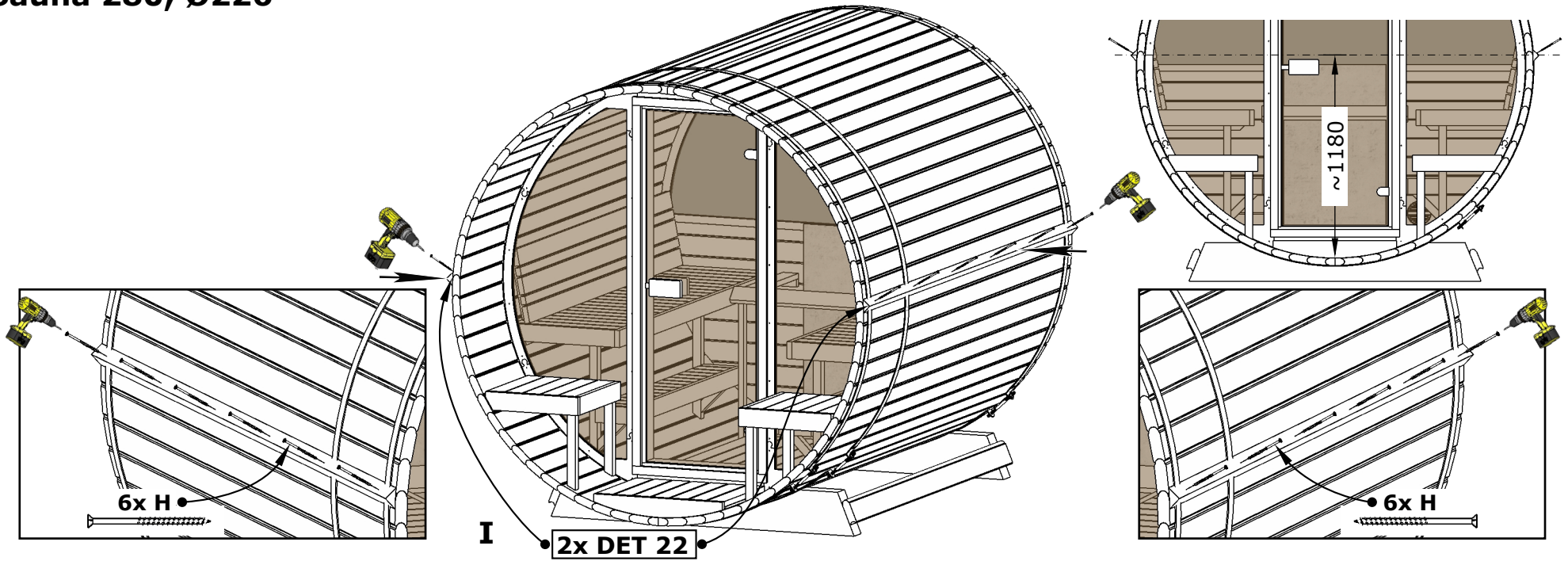
II



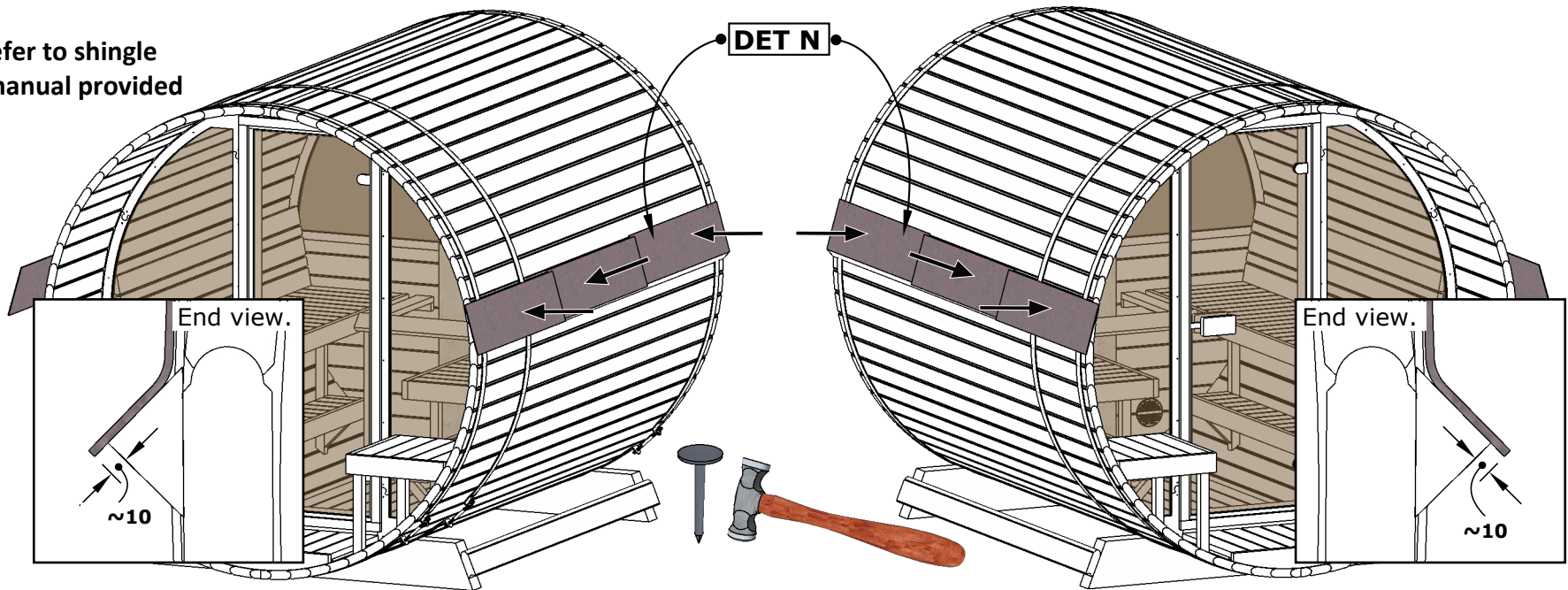
III



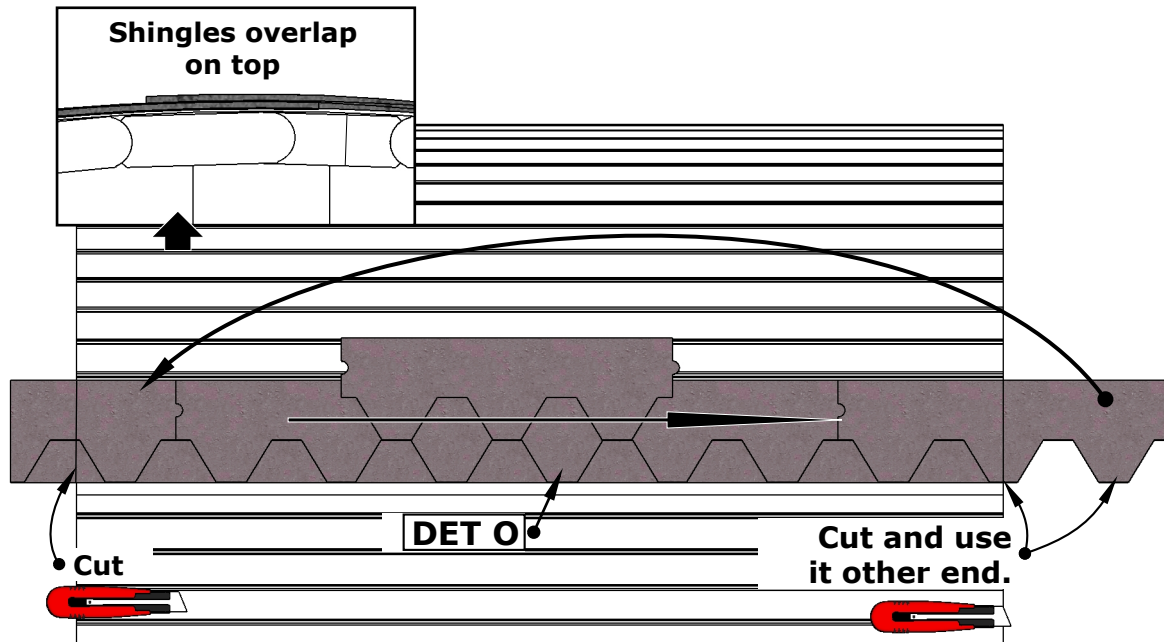
Sauna 280, Ø226



Attention! Refer to shingle installation manual provided in package.

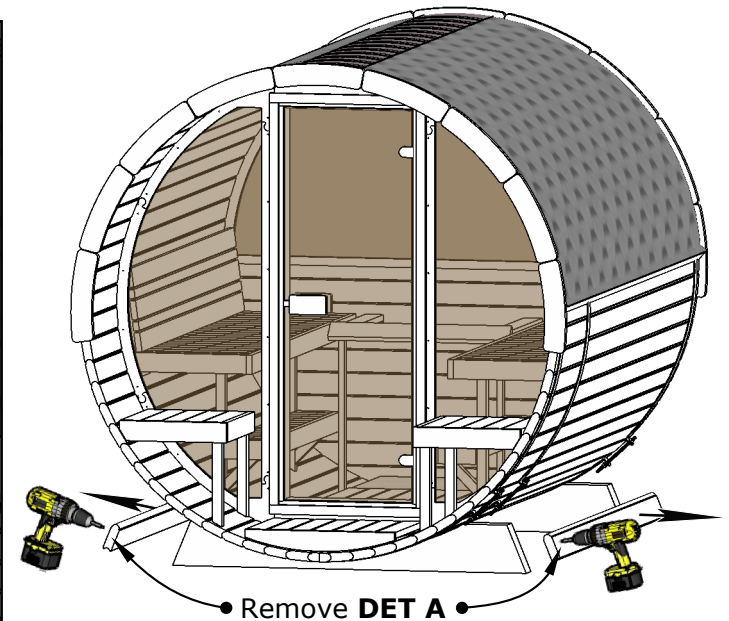
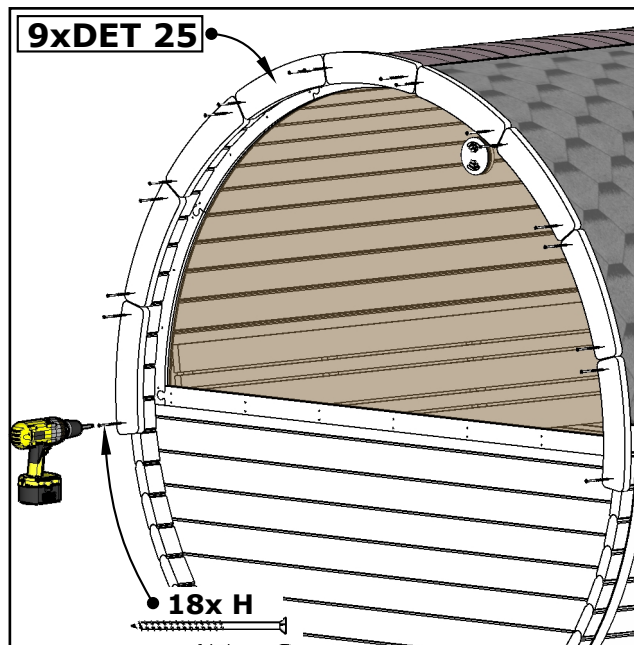
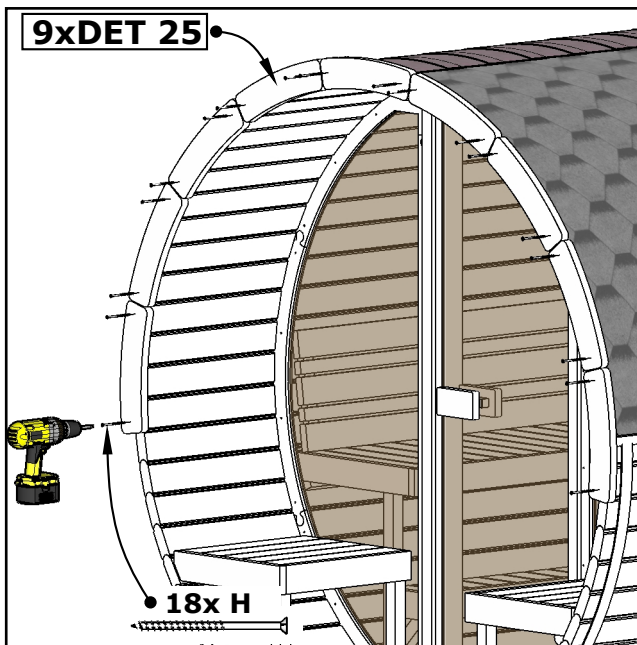
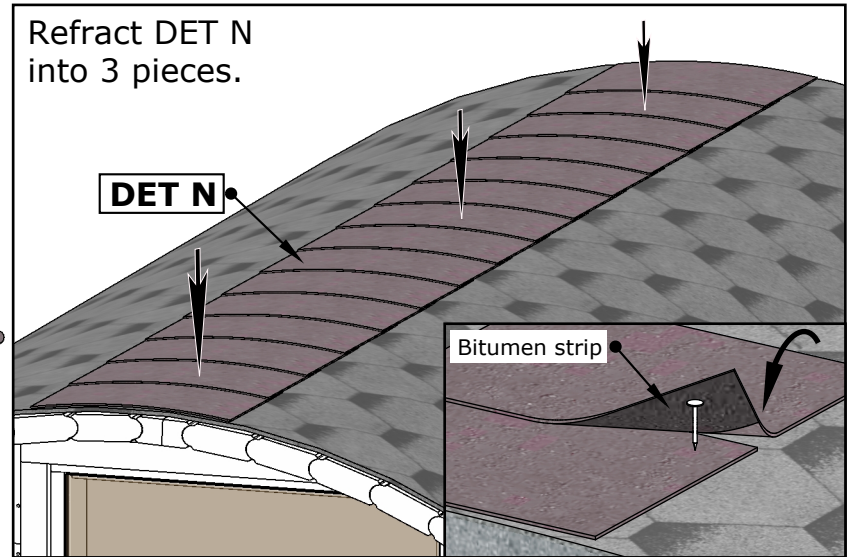


Sauna 280, Ø226



I

Attention! Refer to shingle installation manual provided in package.



19. II

T26/280KE-PK12T