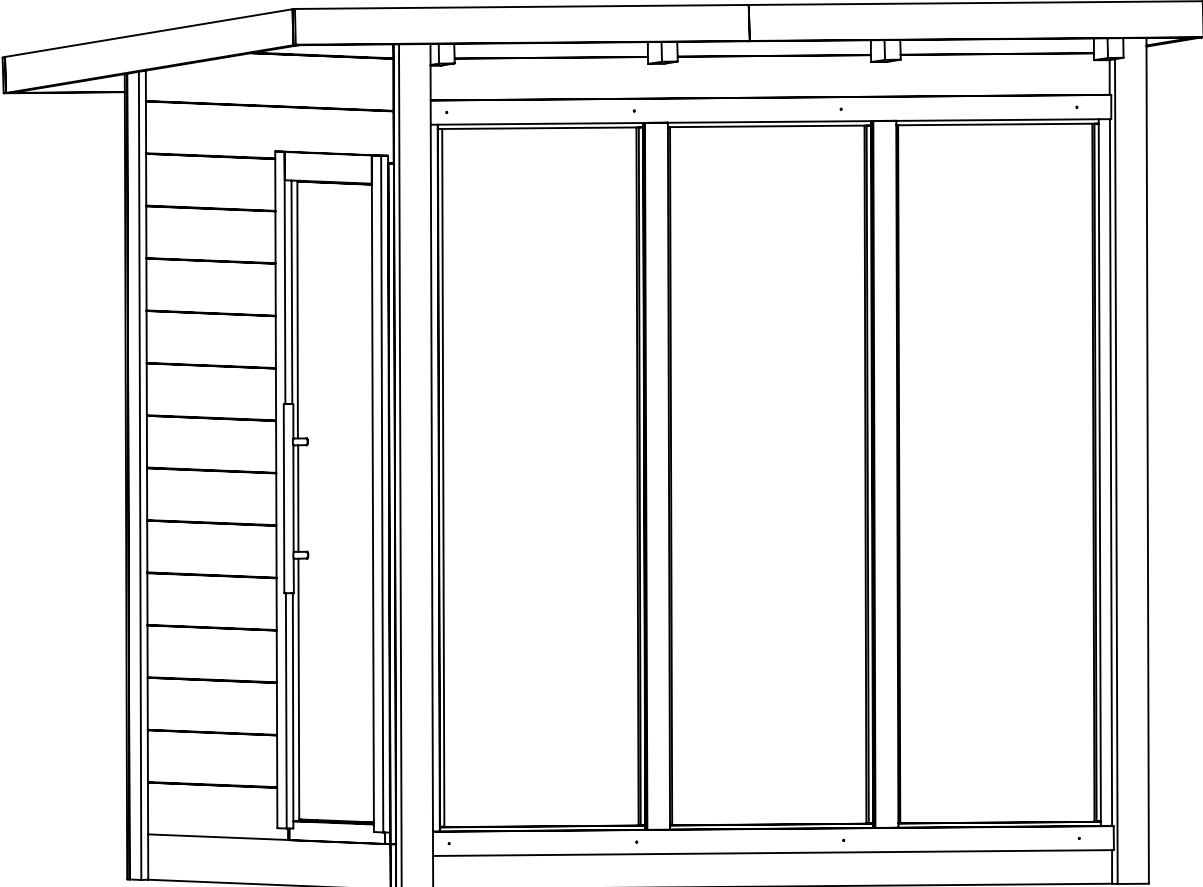


IRJA

 **POLHUS**

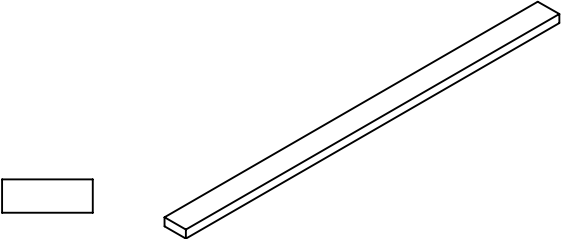
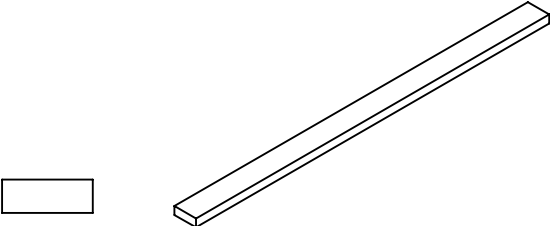
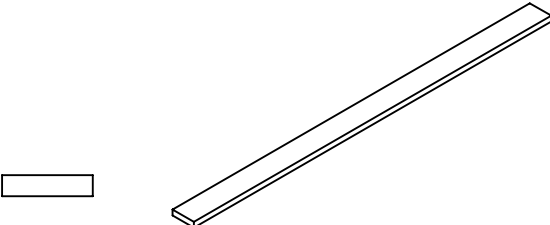
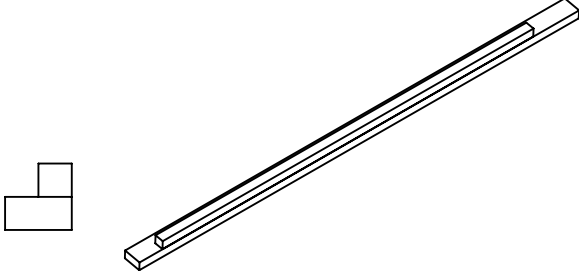
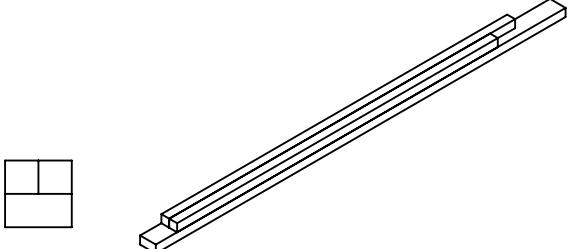
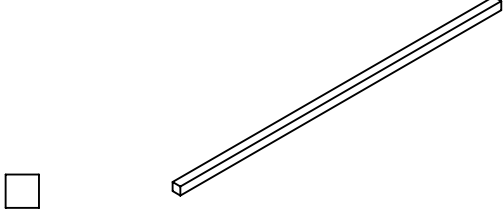
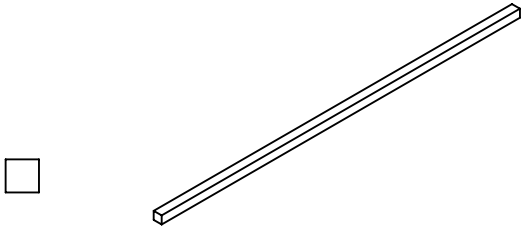
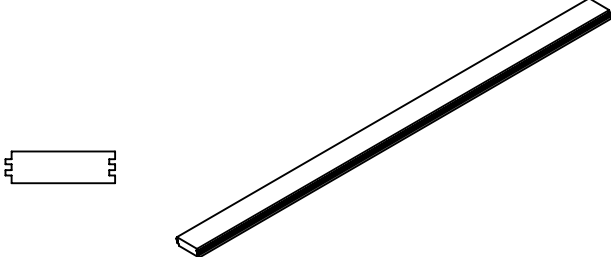


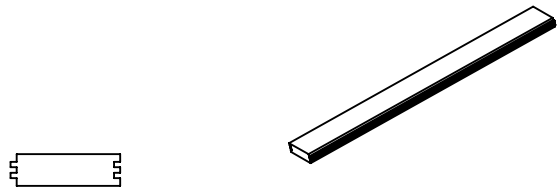
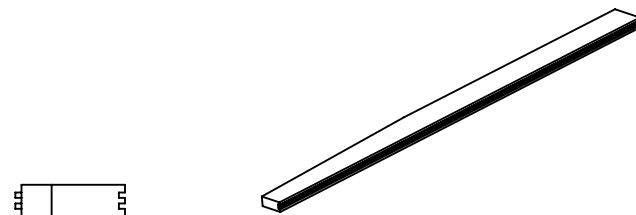

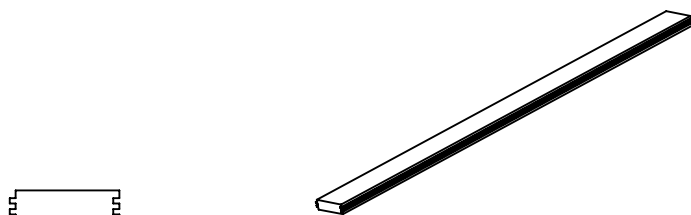

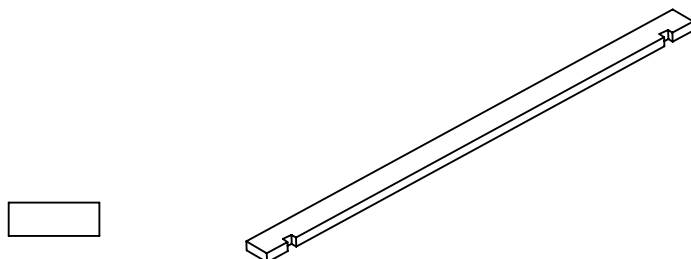
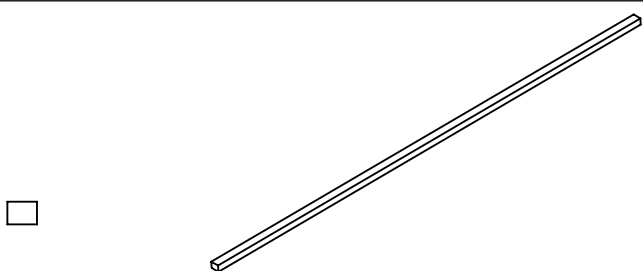
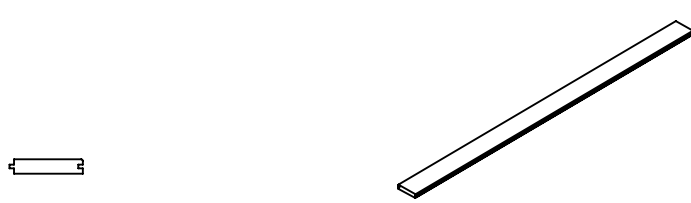
BEFORE ASSEMBLY



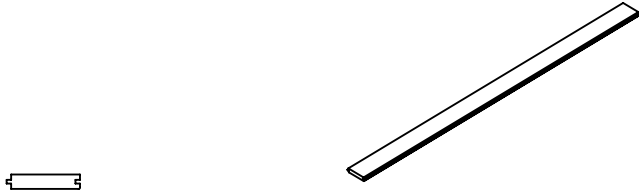
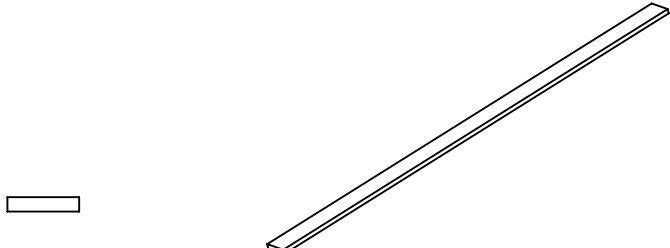
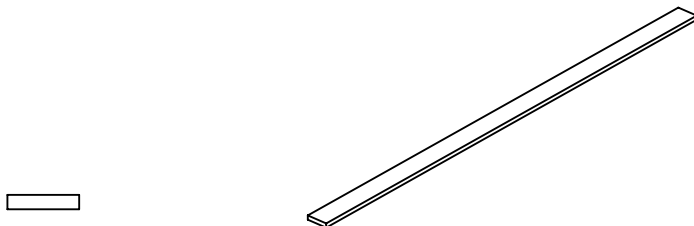



- We recommend that time is taken to read the instructions before starting assembly, then follow the easy step by step guide. The instruction sheet is only a guide to the assembly. Certain items may not be shown to scale.
- Check all components prior to assembly.
- Drill all screw locations where indicated.
- This product should be assembled by no fewer than two people.
- Never attempt to erect the assembly in high winds.




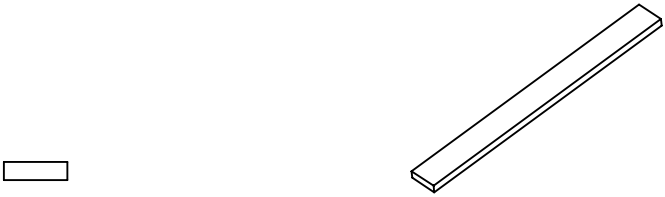
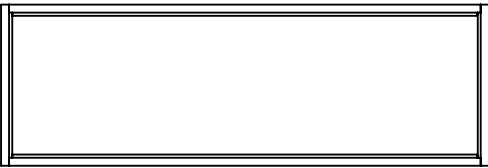
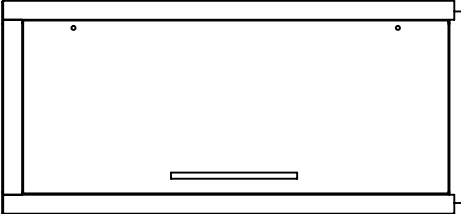


RECOMMENDED TOOLS FOR ASSEMBLY:




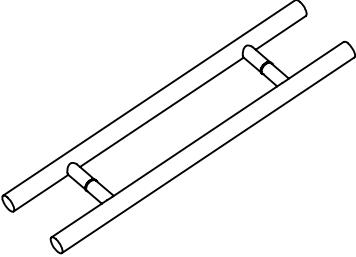
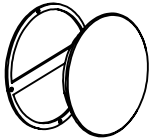
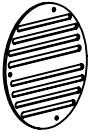


| | | | |
|-----|-------------------------------------------------------------------------------------|-------------|----|
| 1.1 |  | 44x120x2095 | 2 |
| 1.2 |  | 44x120x1982 | 7 |
| 1.3 |  | 28x120x2005 | 17 |
| 1.2 |  | 88x88x2300 | 1 |
| 2.2 |  | 88x88x2300 | 1 |
| 3.1 |  | 44x44x1800 | 1 |
| 3.2 |  | 44x44x2010 | 2 |
| 4.1 |  | 42x145x2070 | 15 |

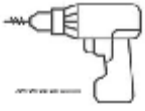
| | | | |
|-----|-------------------------------------------------------------------------------------|-------------|----|
| 4.2 |  | 42x145x1212 | 13 |
| 4.3 |  | 42x145x2070 | 2 |
| 4.4 |  | 42x101x1212 | 2 |
| 5.1 |  | 42x145x2010 | 15 |
| 5.2 |  | 42x97x580 | 6 |
| 6.1 |  | 44x120x2300 | 4 |
| 6.2 |  | 30x39x2300 | 2 |
| 7.1 |  | 19x97x1660 | 13 |

| | | | |
|-----|-------------------------------------------------------------------------------------|------------|----|
| 7.2 |  | 19x97x1037 | 13 |
| 7.3 |  | 19x97x847 | 13 |
| 7.4 |  | 19x97x1470 | 13 |
| 8.1 |  | 19x95x2140 | 4 |
| 8.2 |  | 19x95x2300 | 2 |
| 8.3 |  | 19x95x1273 | 4 |
| 8.4 |  | 19x60x150 | 2 |
| 9.1 |  | 44x44x515 | 2 |

| | | | |
|--------|-------------------------------------------------------------------------------------|-------------|---|
| 9.2 |  | 44x44x320 | 2 |
| 9.3 |  | 44x44x200 | 2 |
| 9.4 |  | 44x44x348 | 1 |
| 10 |  | 12x42x420 | 3 |
| Window |  | 44X639X1935 | 3 |
| Door |  | 82X843X1821 | 1 |
| Bench1 |  | 90X543X200 | 1 |
| Bench2 |  | 90X348X200 | 1 |

| | | | |
|--------------------------|-------------------------------------------------------------------------------------|-------------|---|
| Backrest1 |  | 56*260*2000 | 1 |
| Backrest2 |  | 24*260*2000 | 1 |
| Distance block |  | | 2 |
| Hitting block |  | | 1 |
| Door handle |  | | 1 |
| Woodin vent cover |  | | 1 |
| Metal vent cover |  | | 1 |
| | | | |

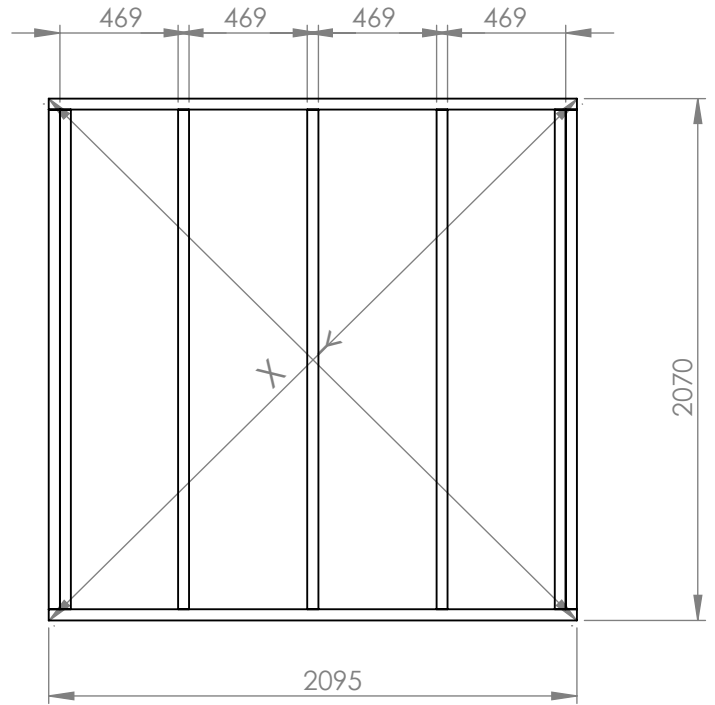
| | |
|--------------|-----|
| 180mm screws | 10 |
| 140mm screws | 20 |
| 120mm screws | 10 |
| 80mm screws | 28 |
| 70mm screws | 245 |
| 65mm screws | 165 |
| 40mm screws | 122 |
| 35mm screws | 32 |
| 25mm screws | 9 |
| 50mm Nails | 392 |



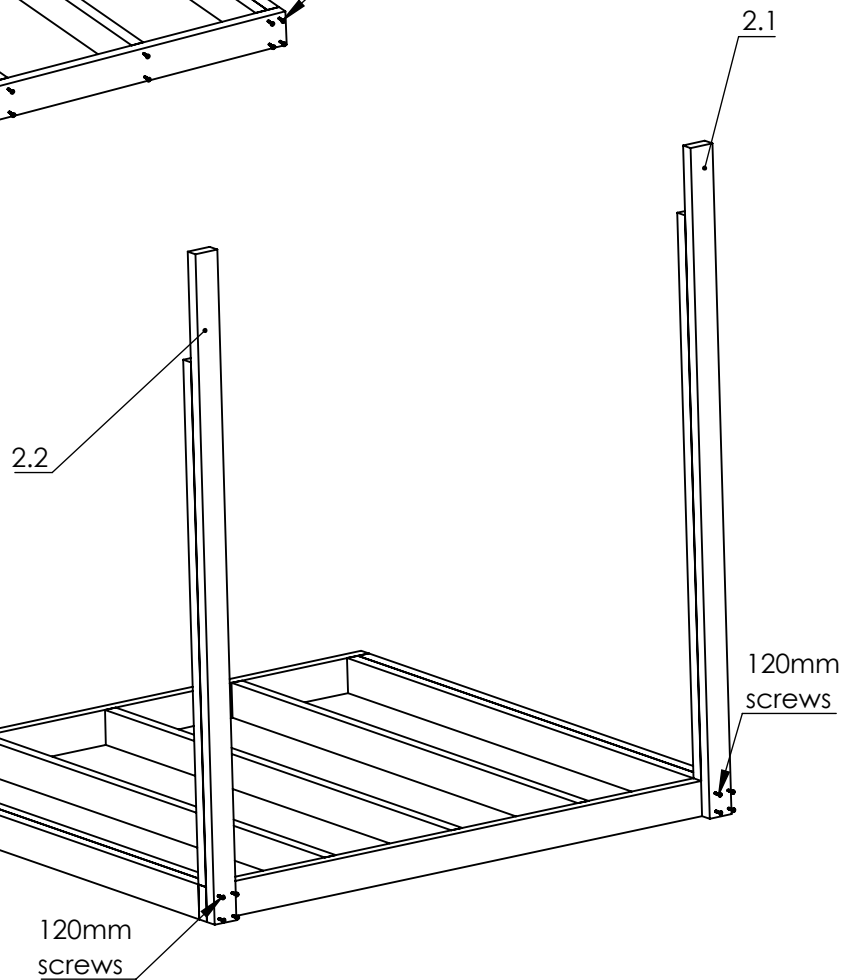
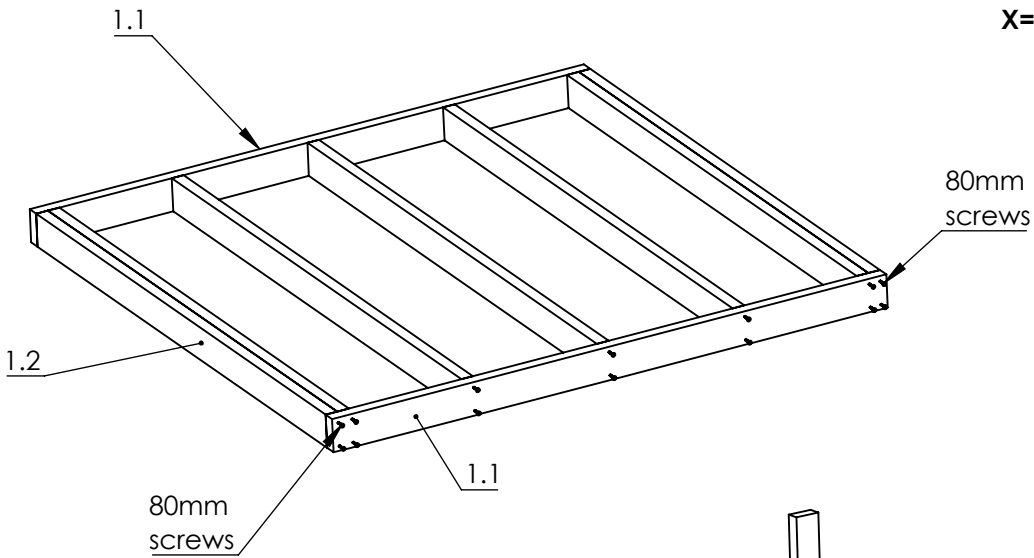
Ø5mm

© 2014 Ikea. All rights reserved.

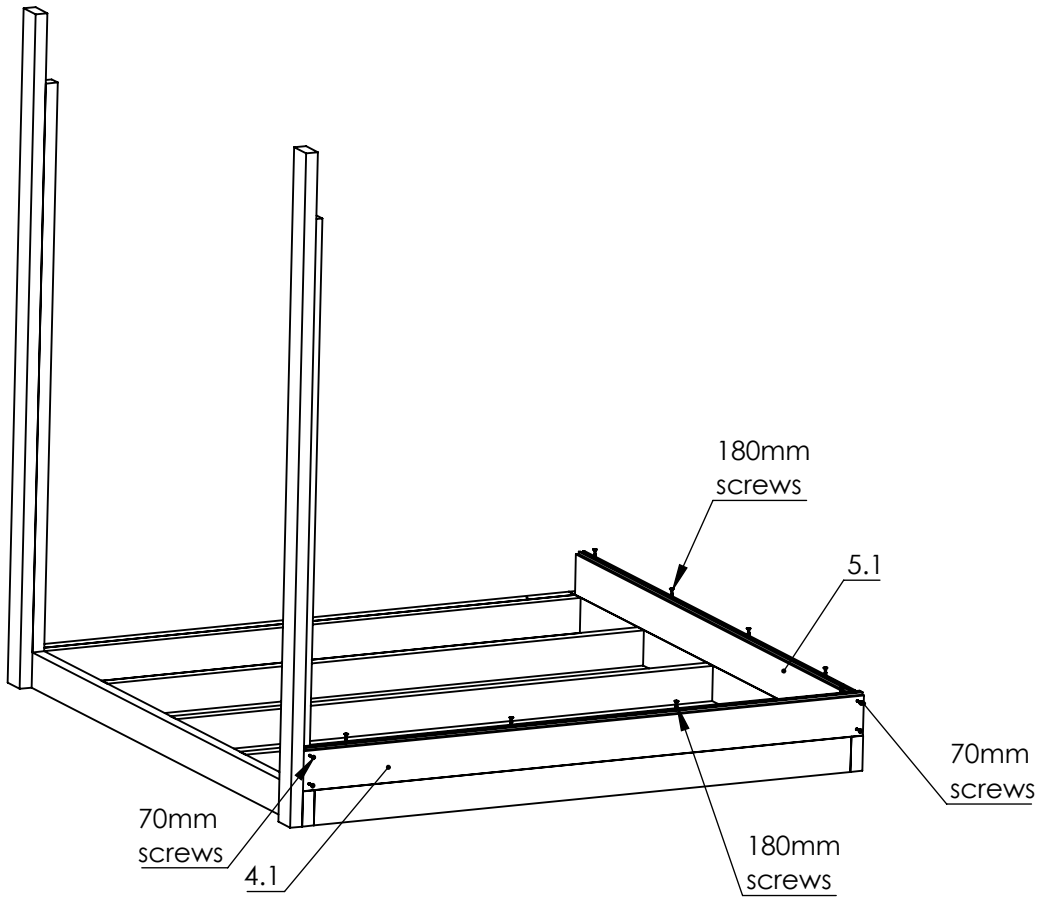
| | |
|--------------|----|
| 1.1 | 2 |
| 1.2 | 7 |
| 80mm screws | 28 |
| 2.1 | 1 |
| 2.2 | 1 |
| 120mm screws | 8 |



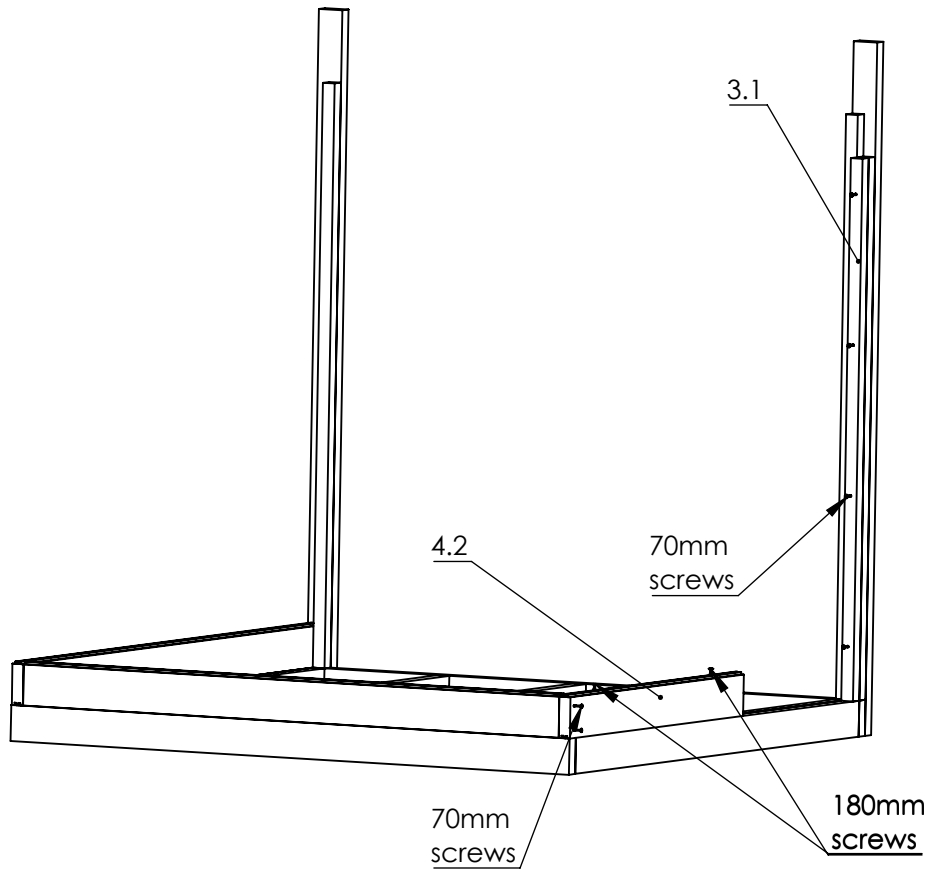
X=Y



ATTENTION. Pay attention to the post numbers written on the posts

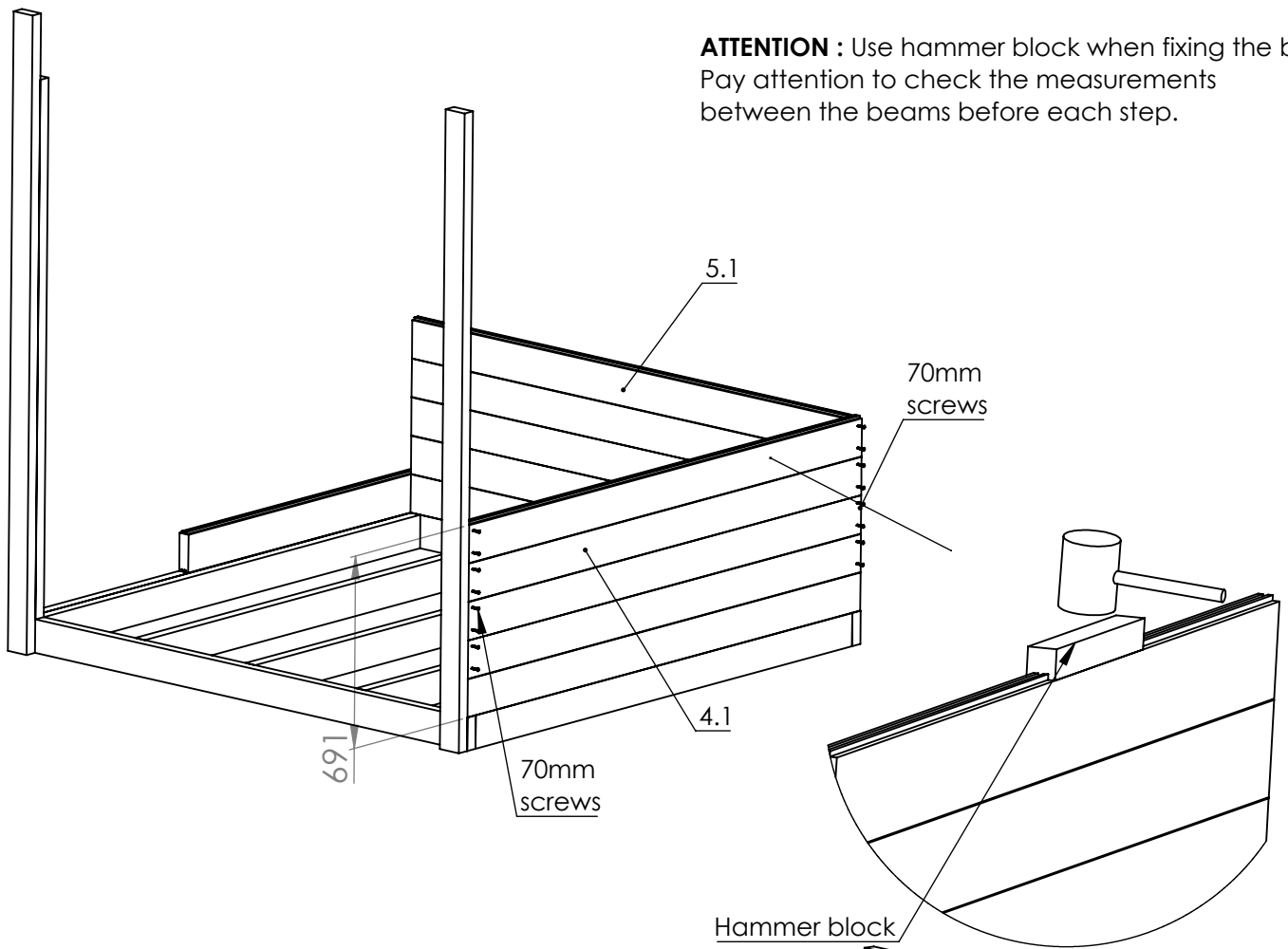


| | |
|--------------|----|
| 3.1 | 1 |
| 4.1 | 1 |
| 4.2 | 1 |
| 5.1 | 1 |
| 180mm screws | 10 |
| 70mm screws | 10 |

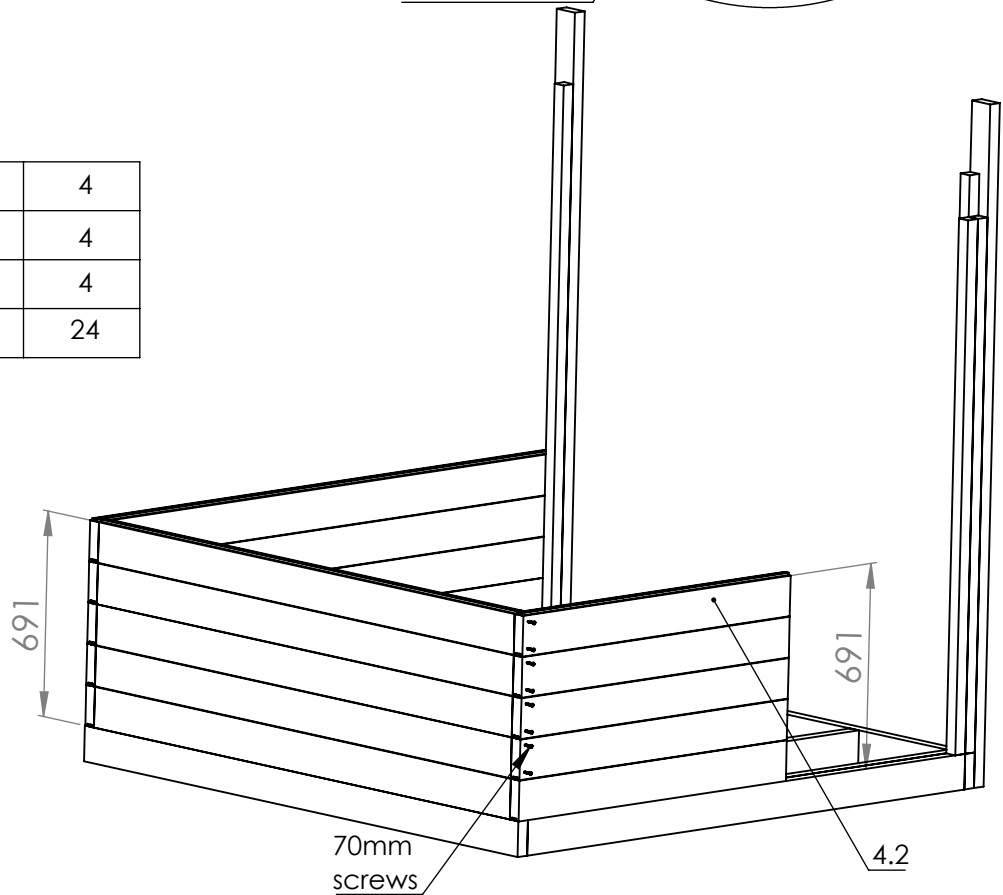


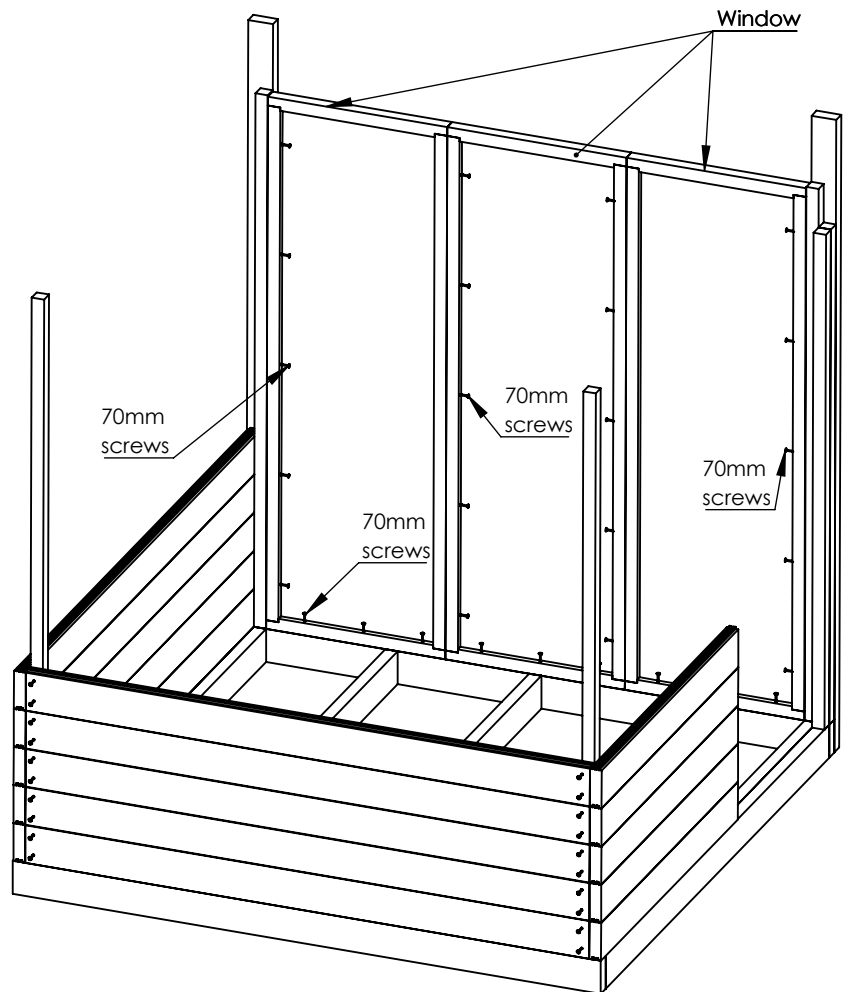
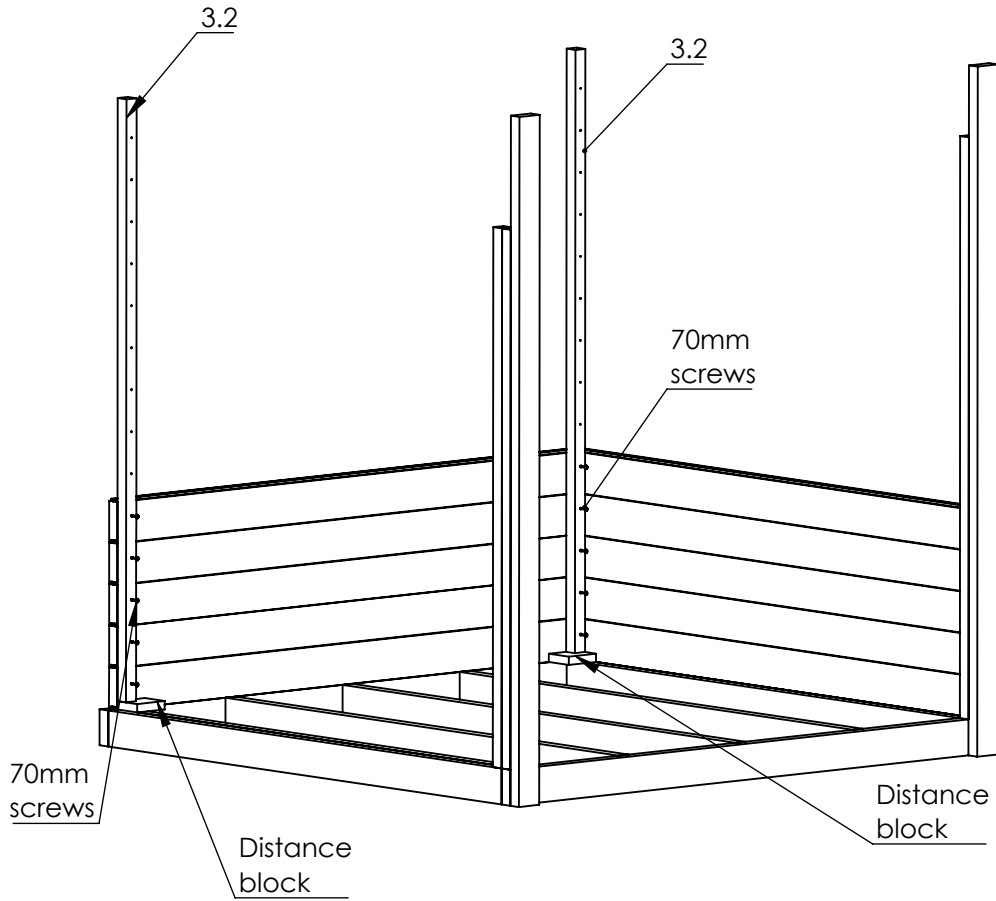
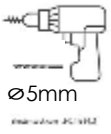


ATTENTION : Use hammer block when fixing the beams.
Pay attention to check the measurements between the beams before each step.

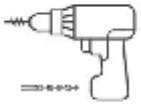


| | |
|-------------|----|
| 4.1 | 4 |
| 4.2 | 4 |
| 5.1 | 4 |
| 70mm screws | 24 |

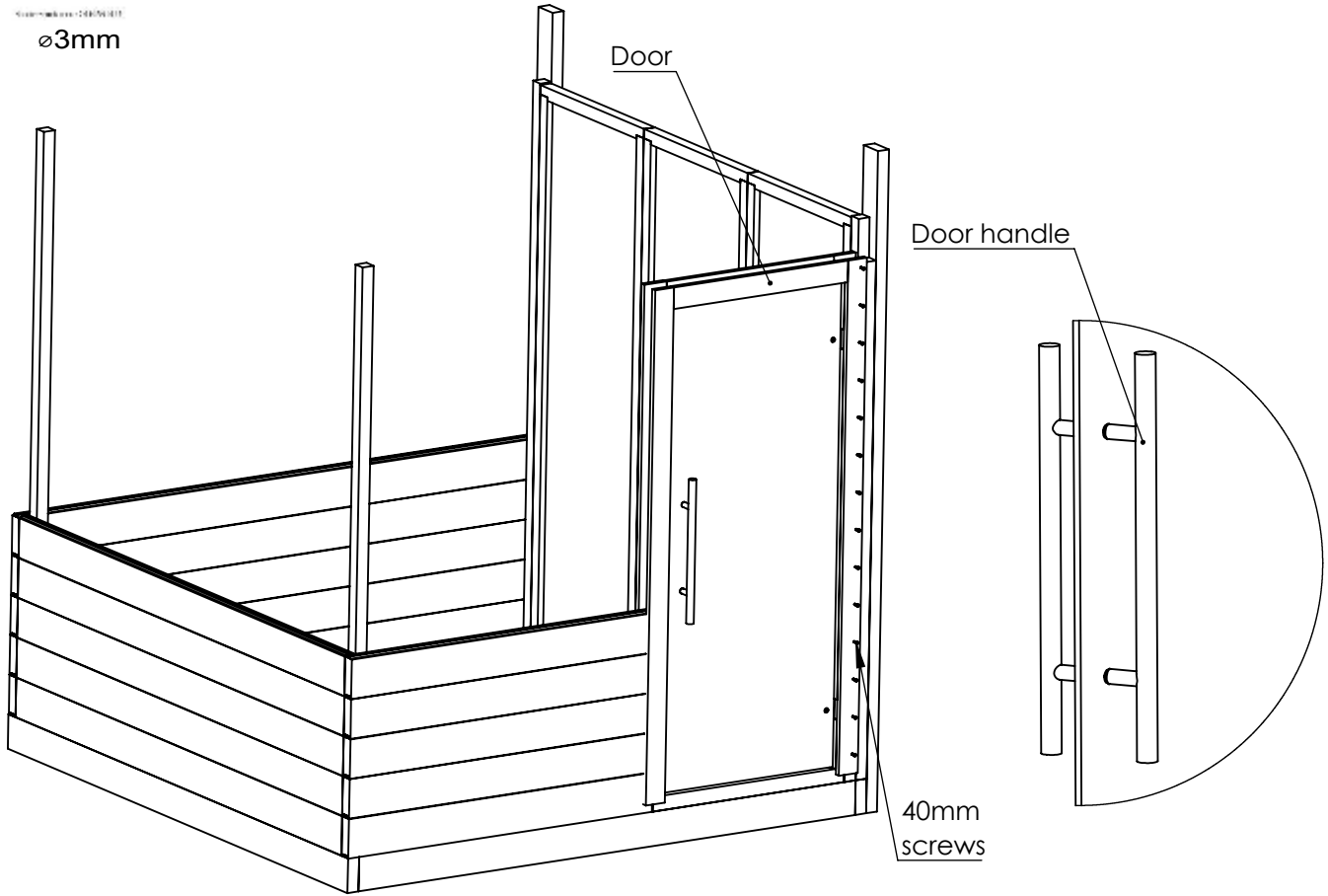




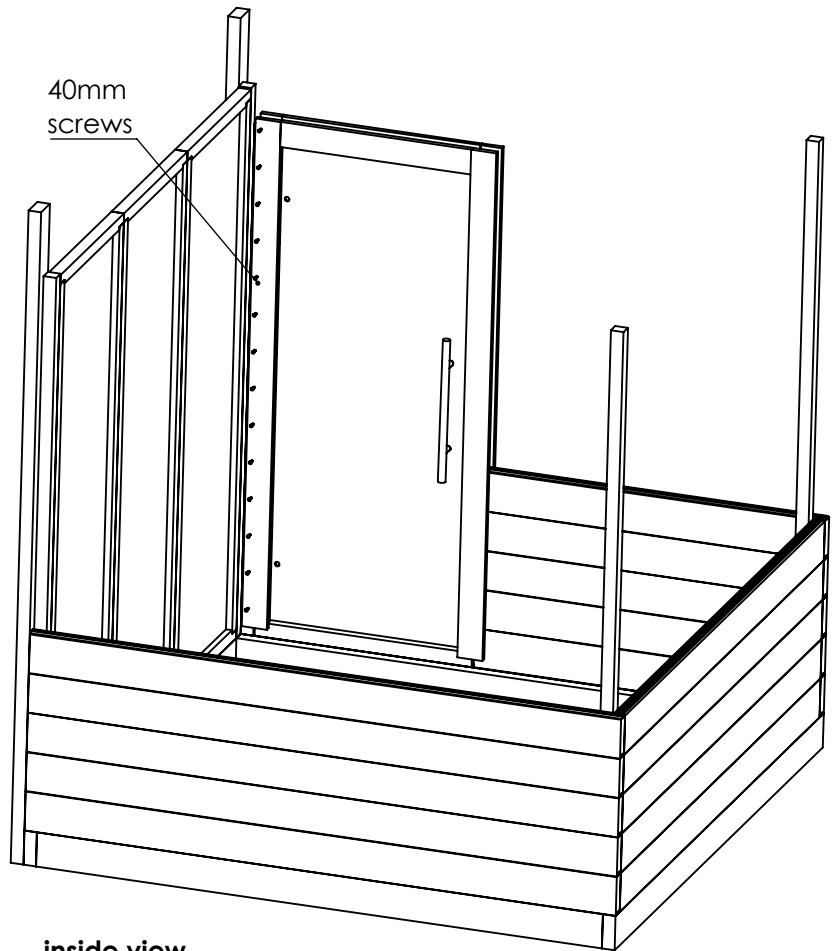
| | |
|----------------|----|
| 3.2 | 2 |
| Distance block | 2 |
| Window | 3 |
| 70mm screws | 77 |



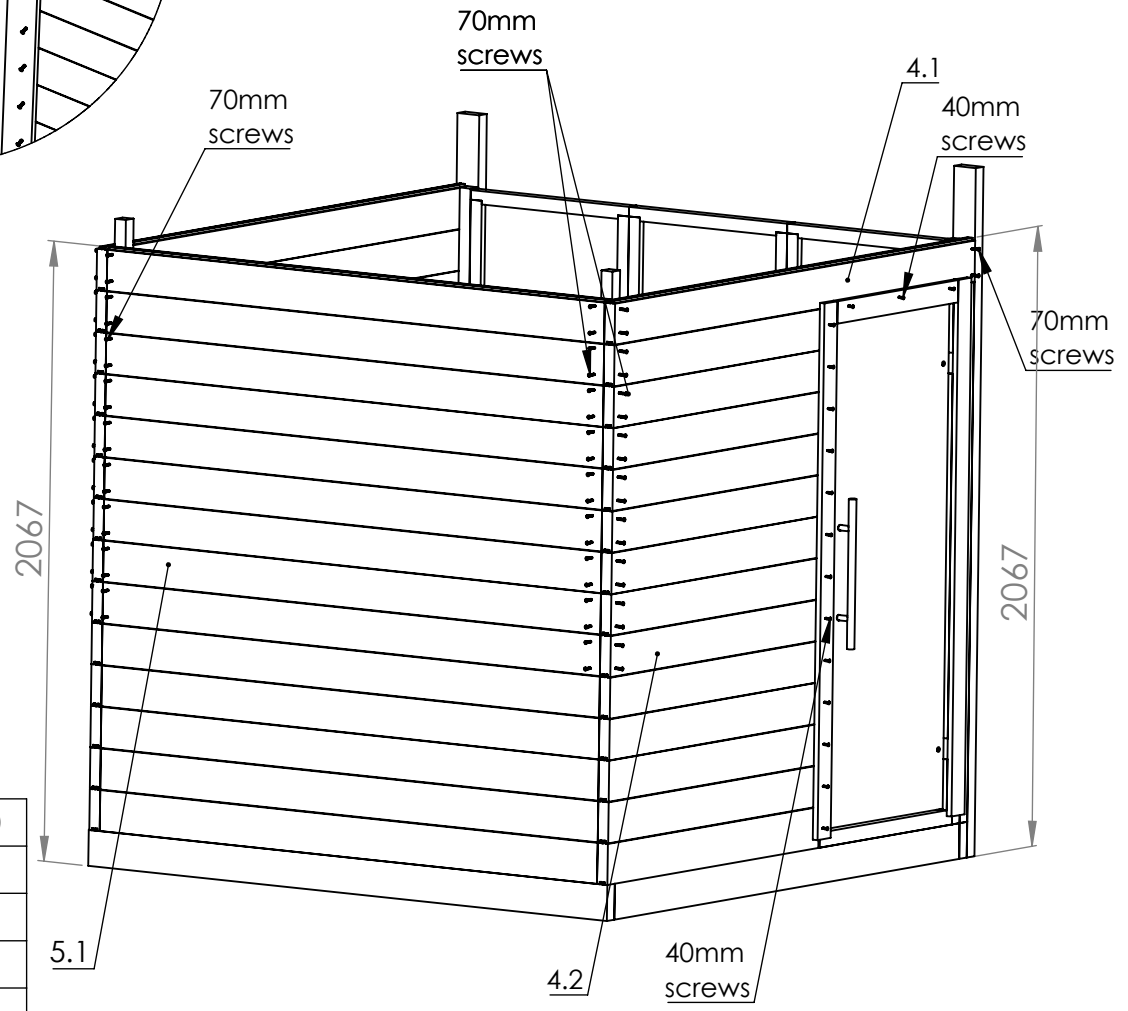
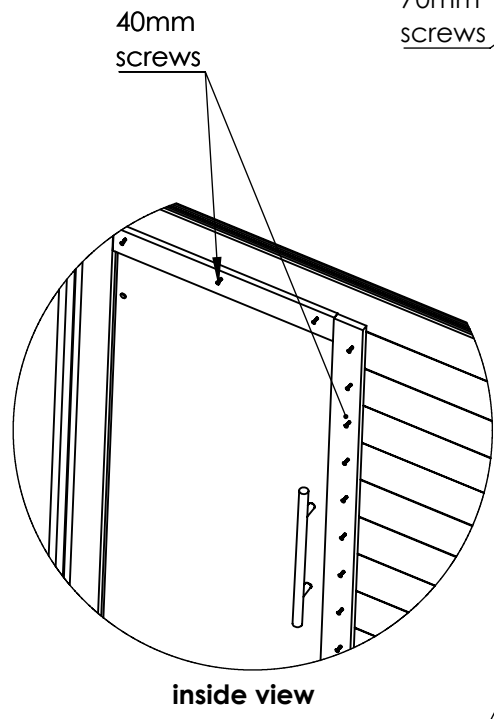
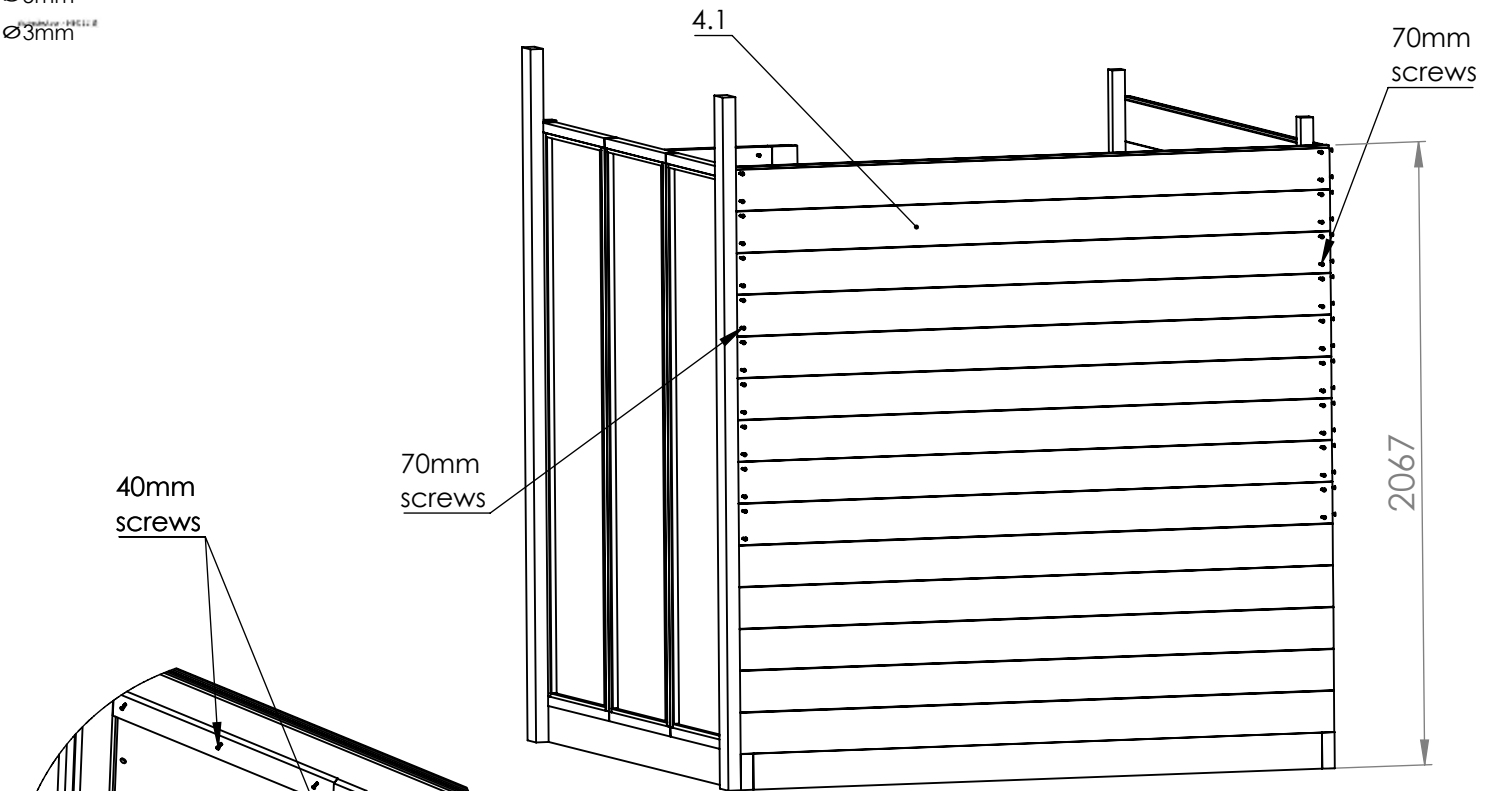
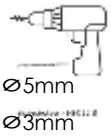
ø3mm



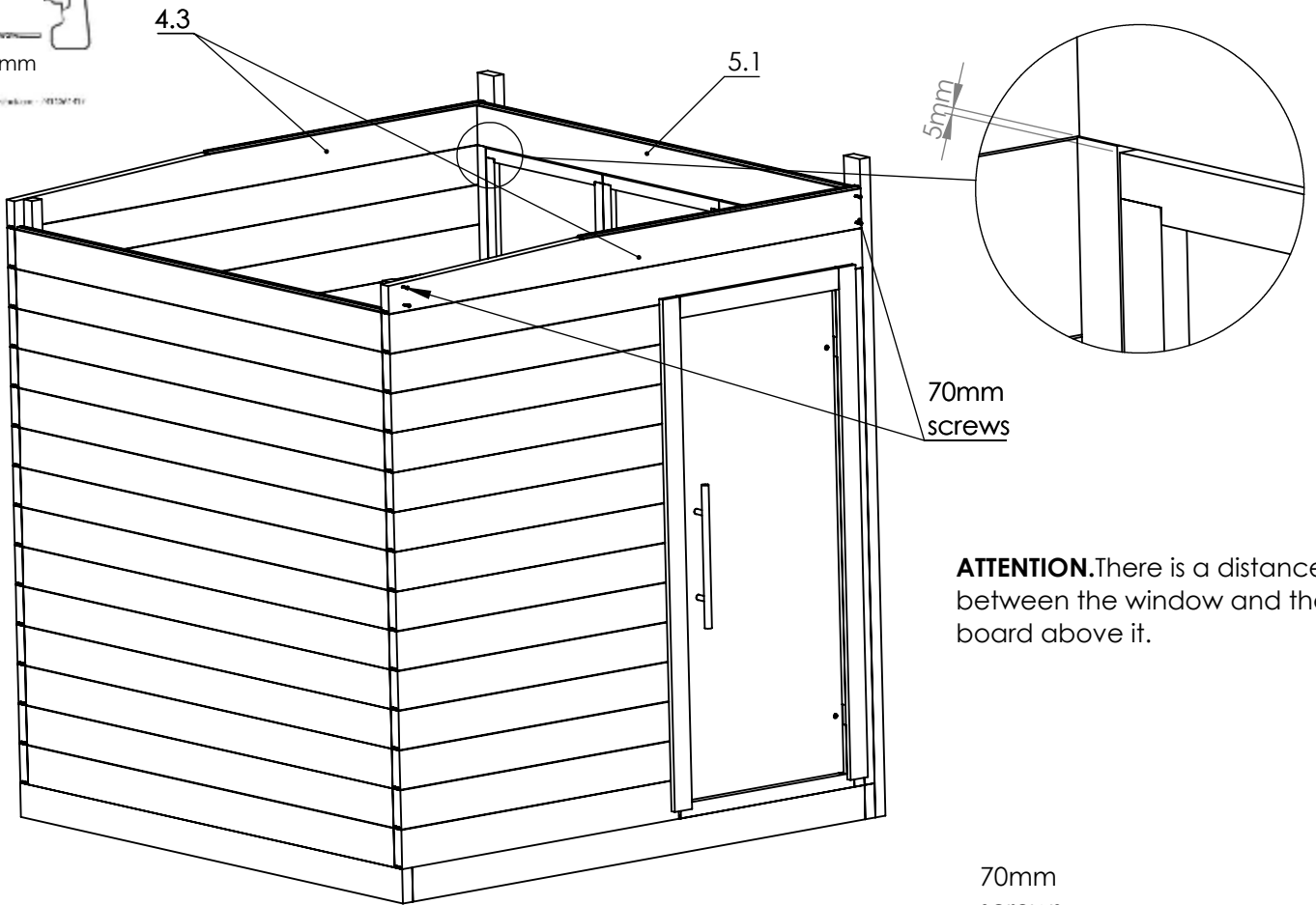
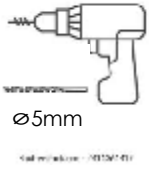
| | |
|-------------|----|
| Door | 1 |
| Door handle | 1 |
| 40mm screws | 26 |



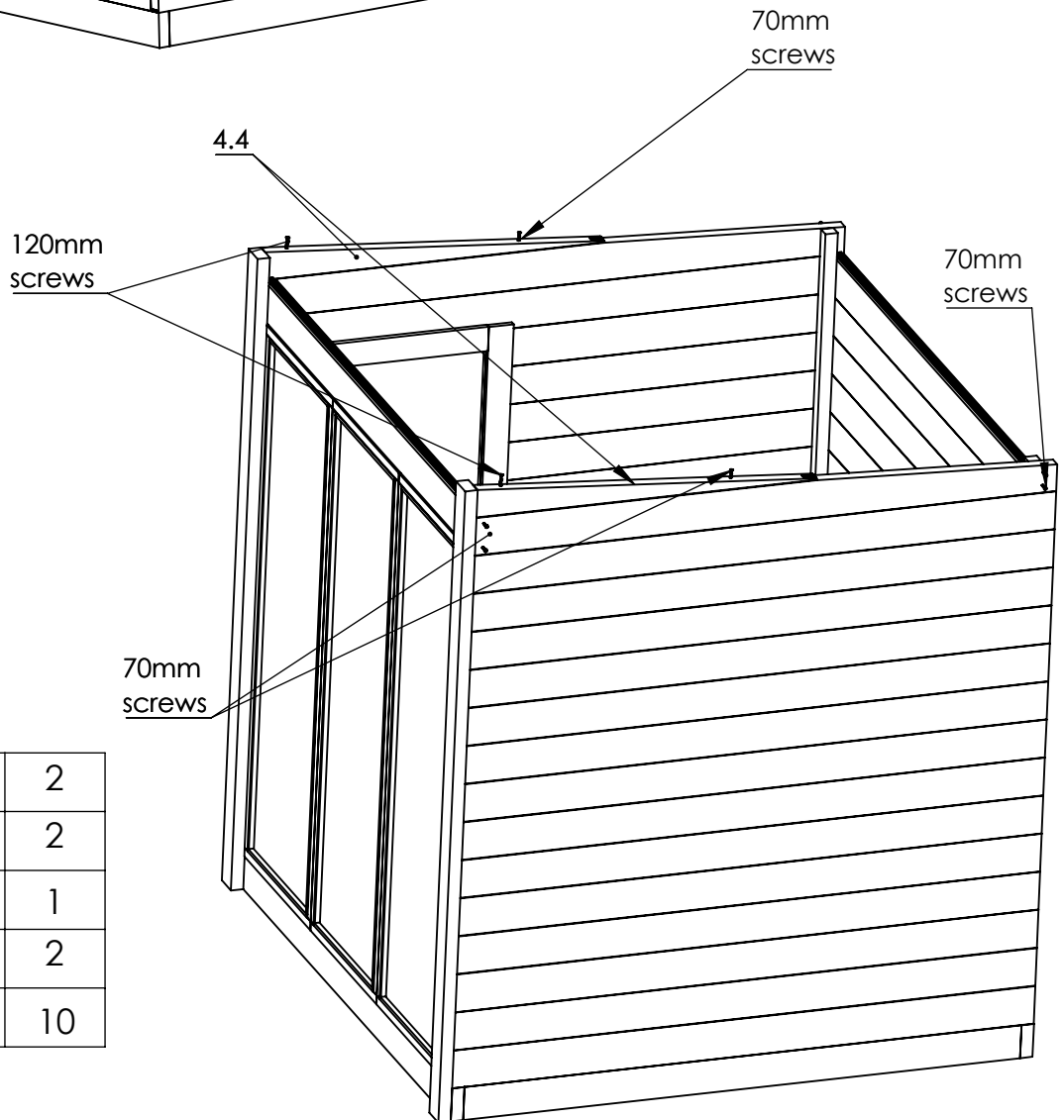
inside view



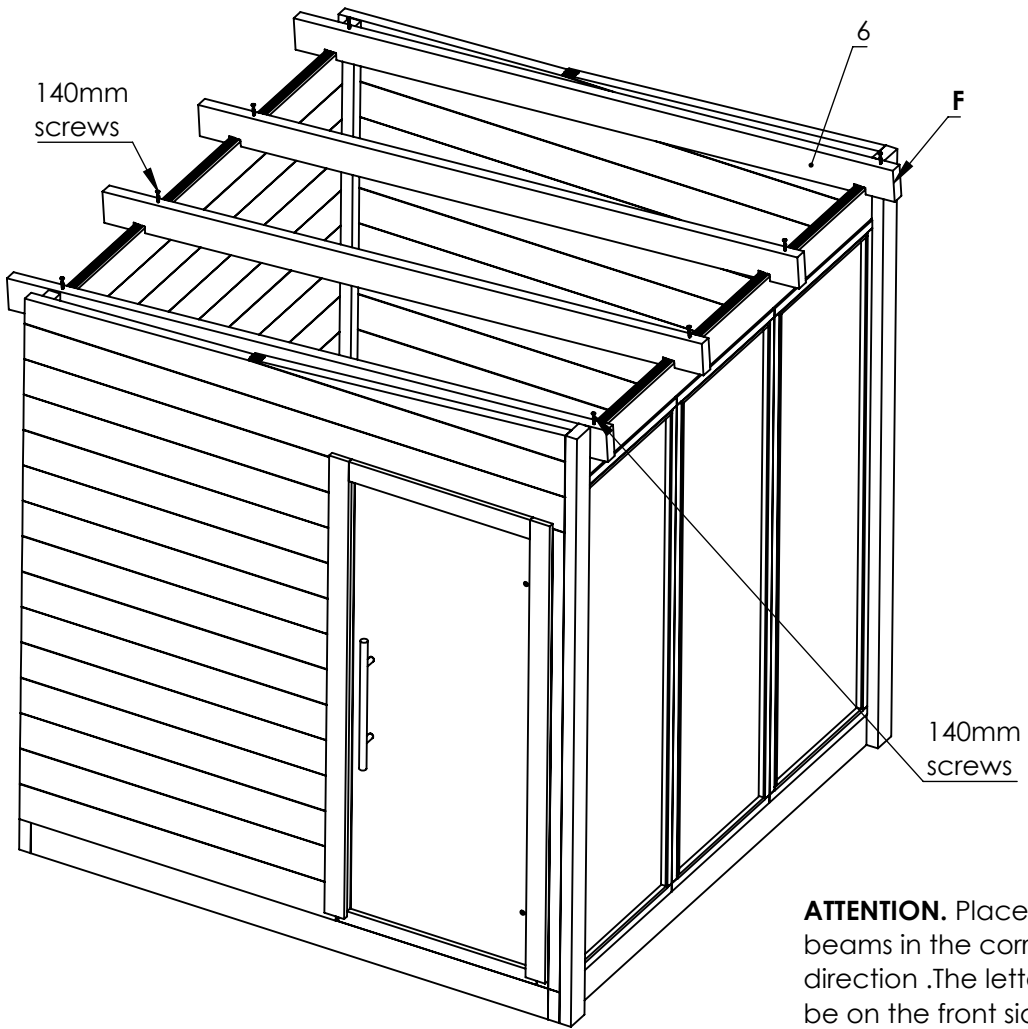
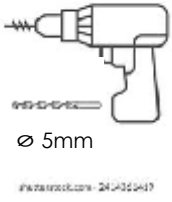
| | |
|-------------|----|
| 4.1 | 10 |
| 4.2 | 8 |
| 5.1 | 9 |
| 70mm screws | 92 |
| 40mm screws | 32 |



ATTENTION. There is a distance between the window and the board above it.

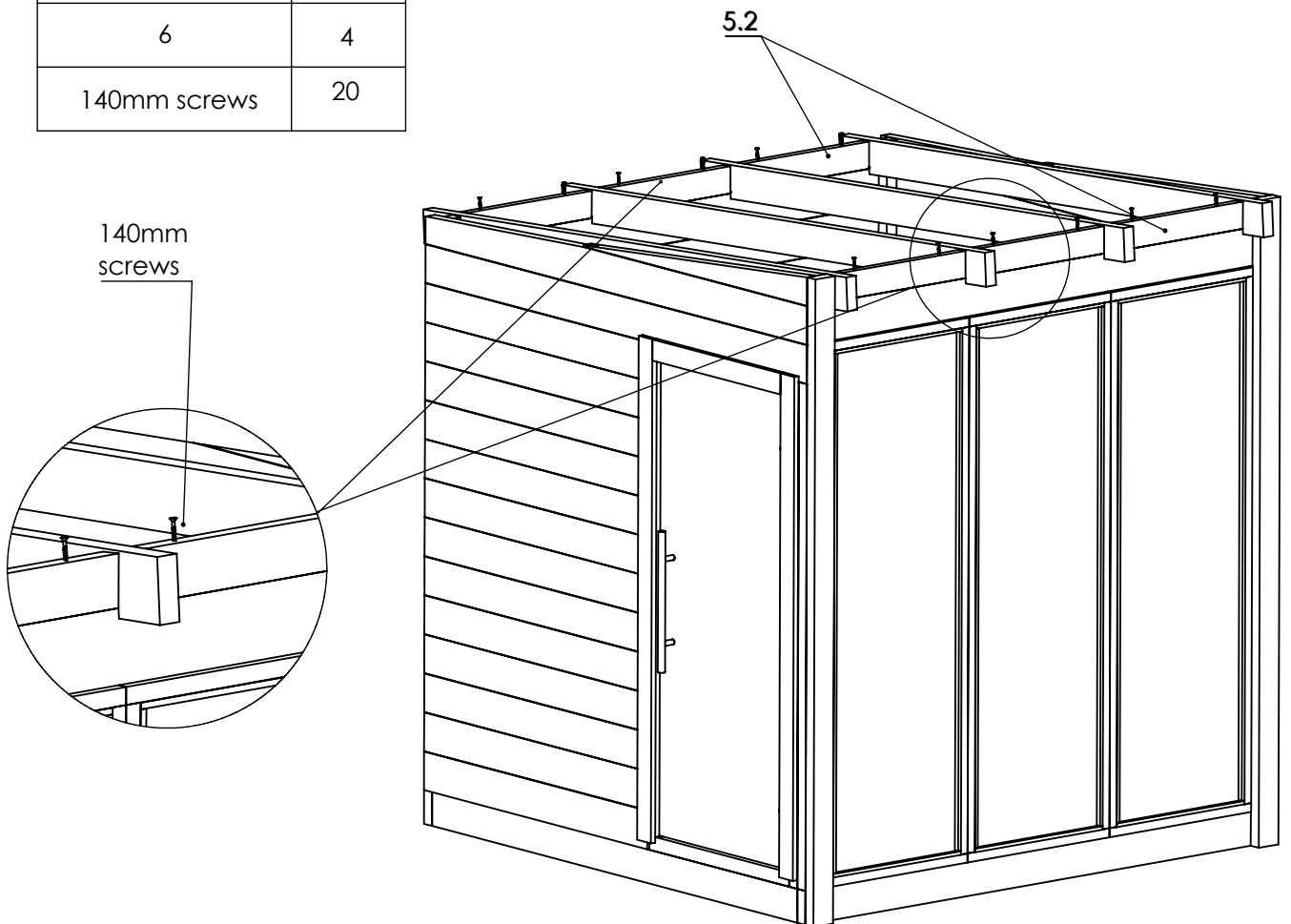


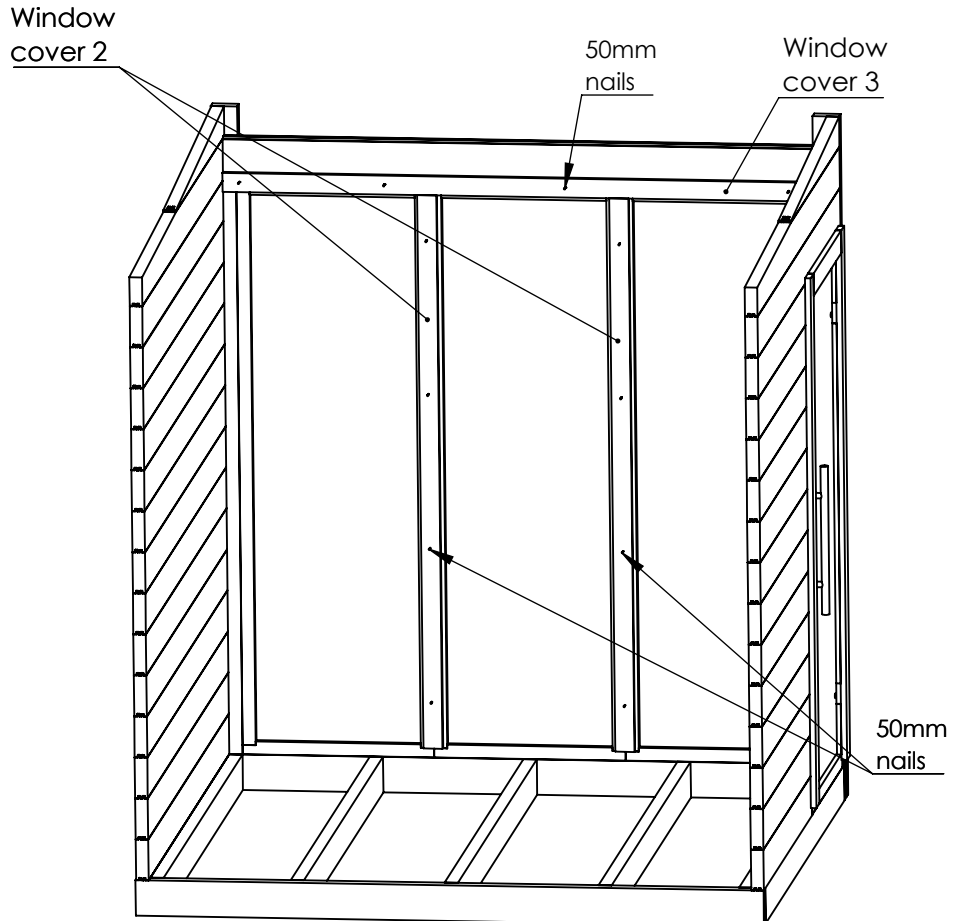
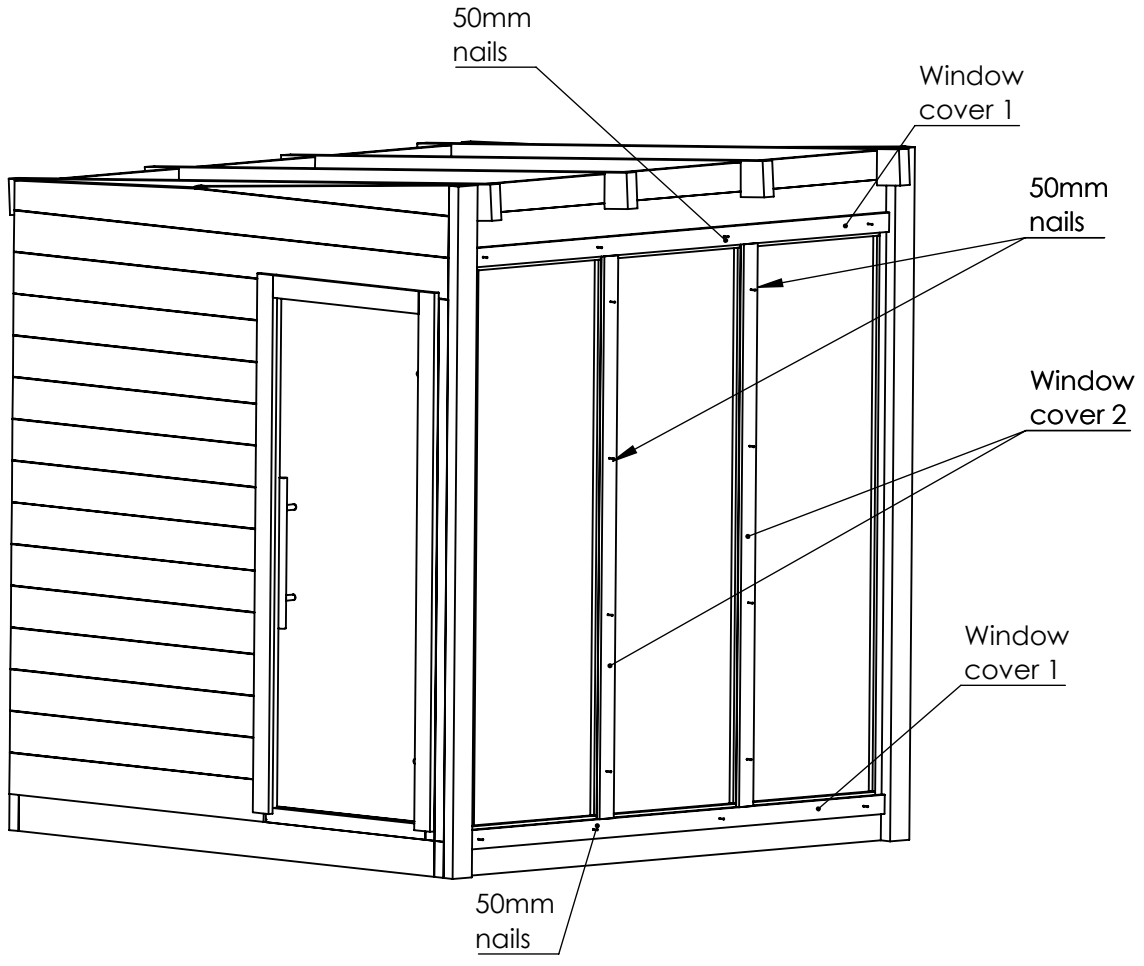
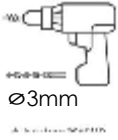
| | |
|--------------|----|
| 4.3 | 2 |
| 4.4 | 2 |
| 5.1 | 1 |
| 120mm screws | 2 |
| 70mm screws | 10 |



ATTENTION. Place the beams in the correct direction. The letter **F** must be on the front side.

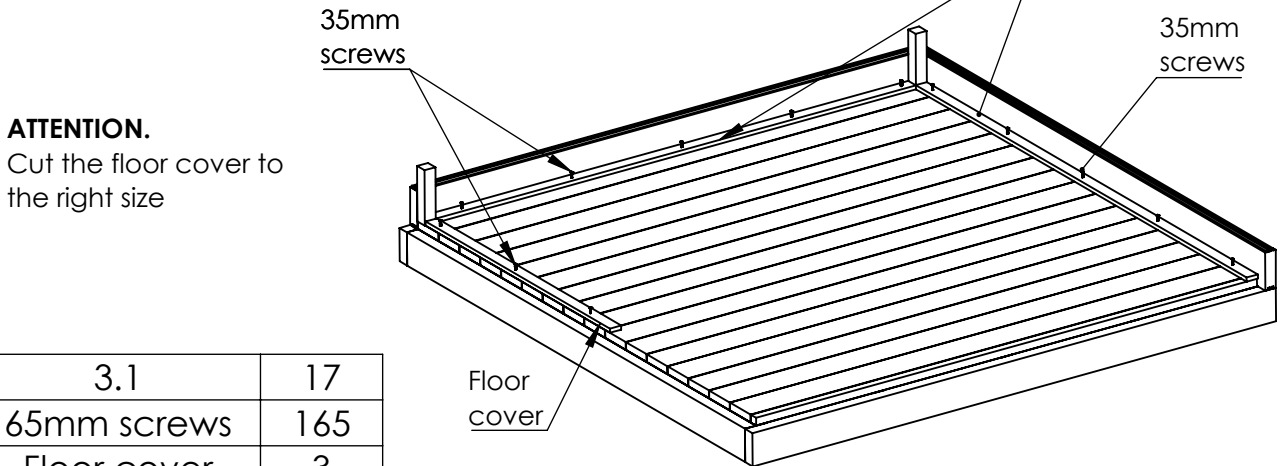
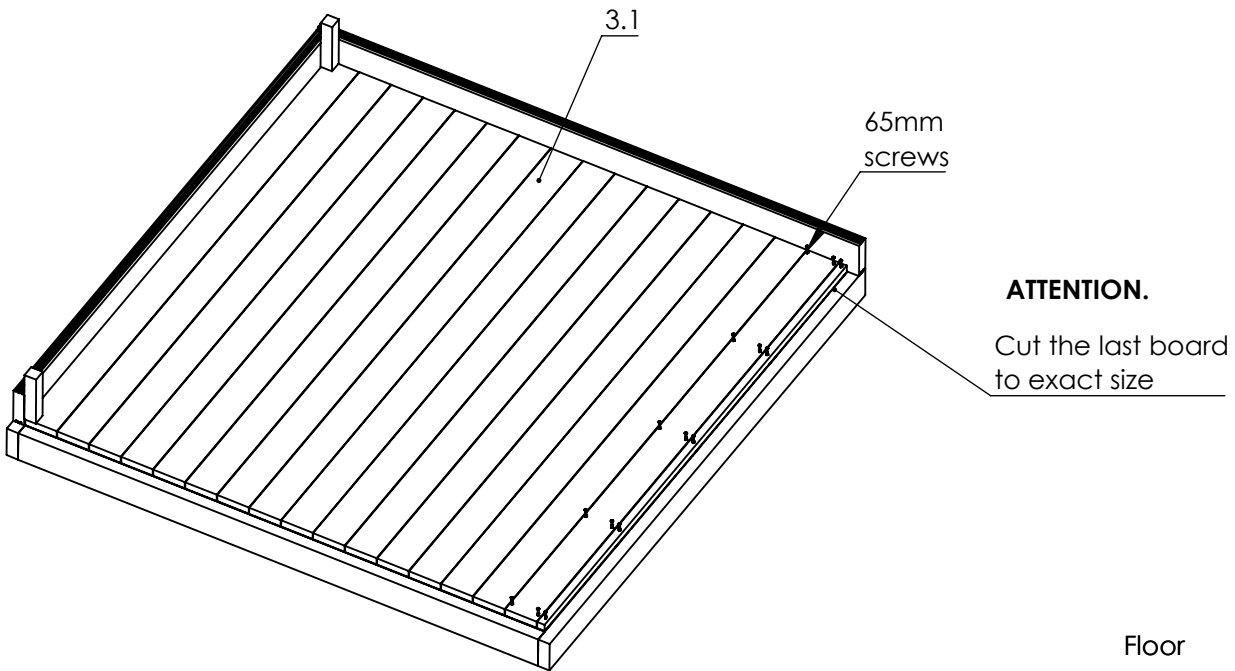
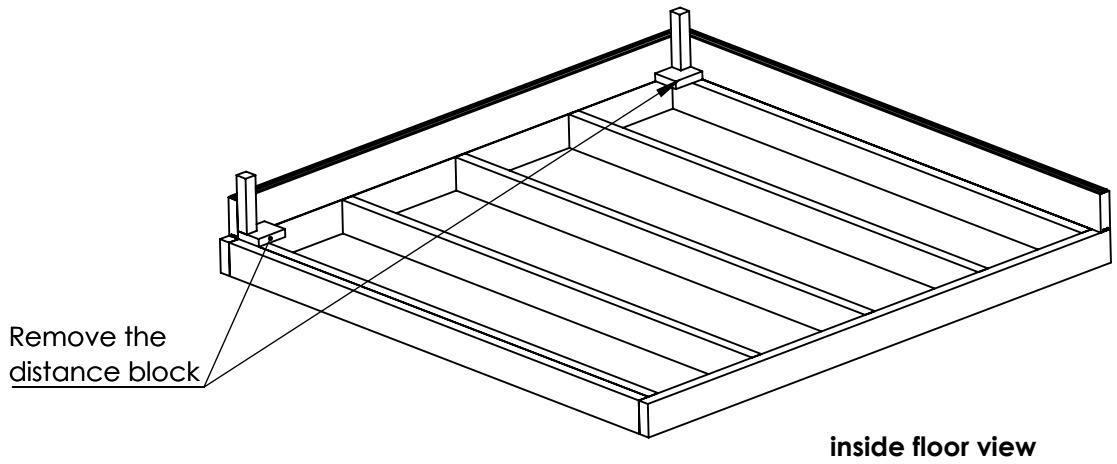
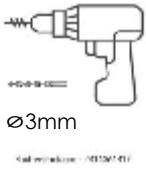
| | |
|--------------|----|
| 5.2 | 6 |
| 6 | 4 |
| 140mm screws | 20 |



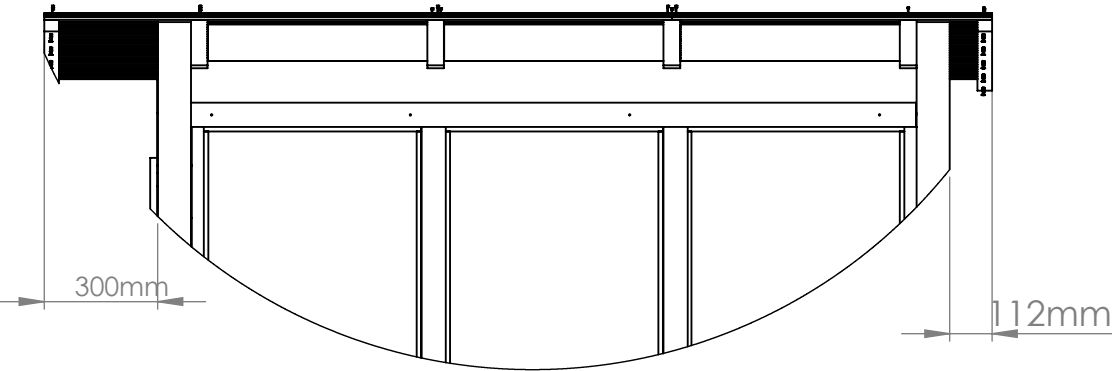


| | |
|----------------|----|
| Window cover 1 | 2 |
| Window cover 2 | 4 |
| Window cover 3 | 1 |
| 50mm nails | 28 |

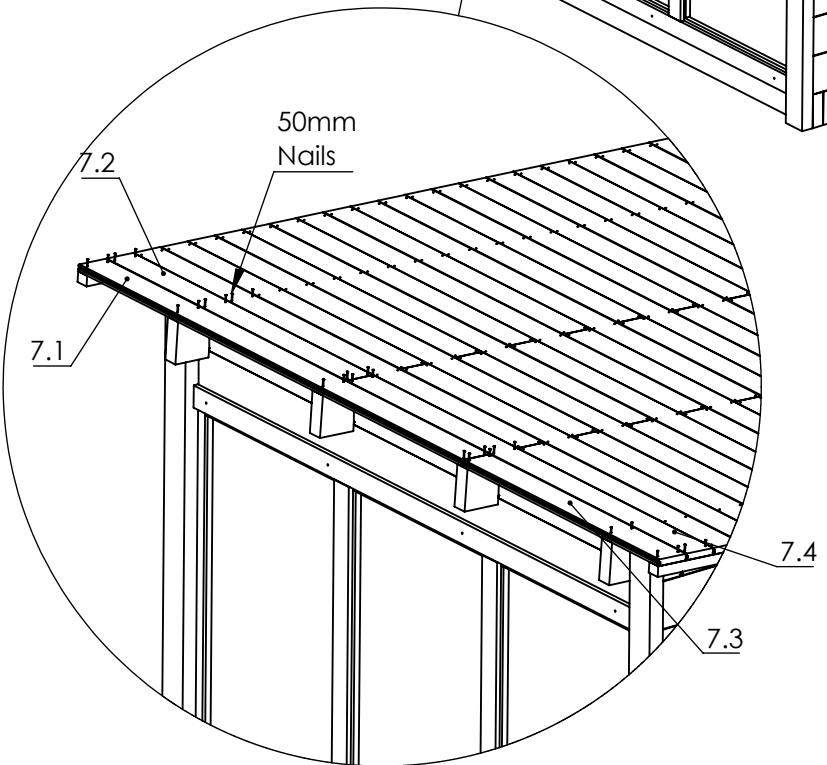
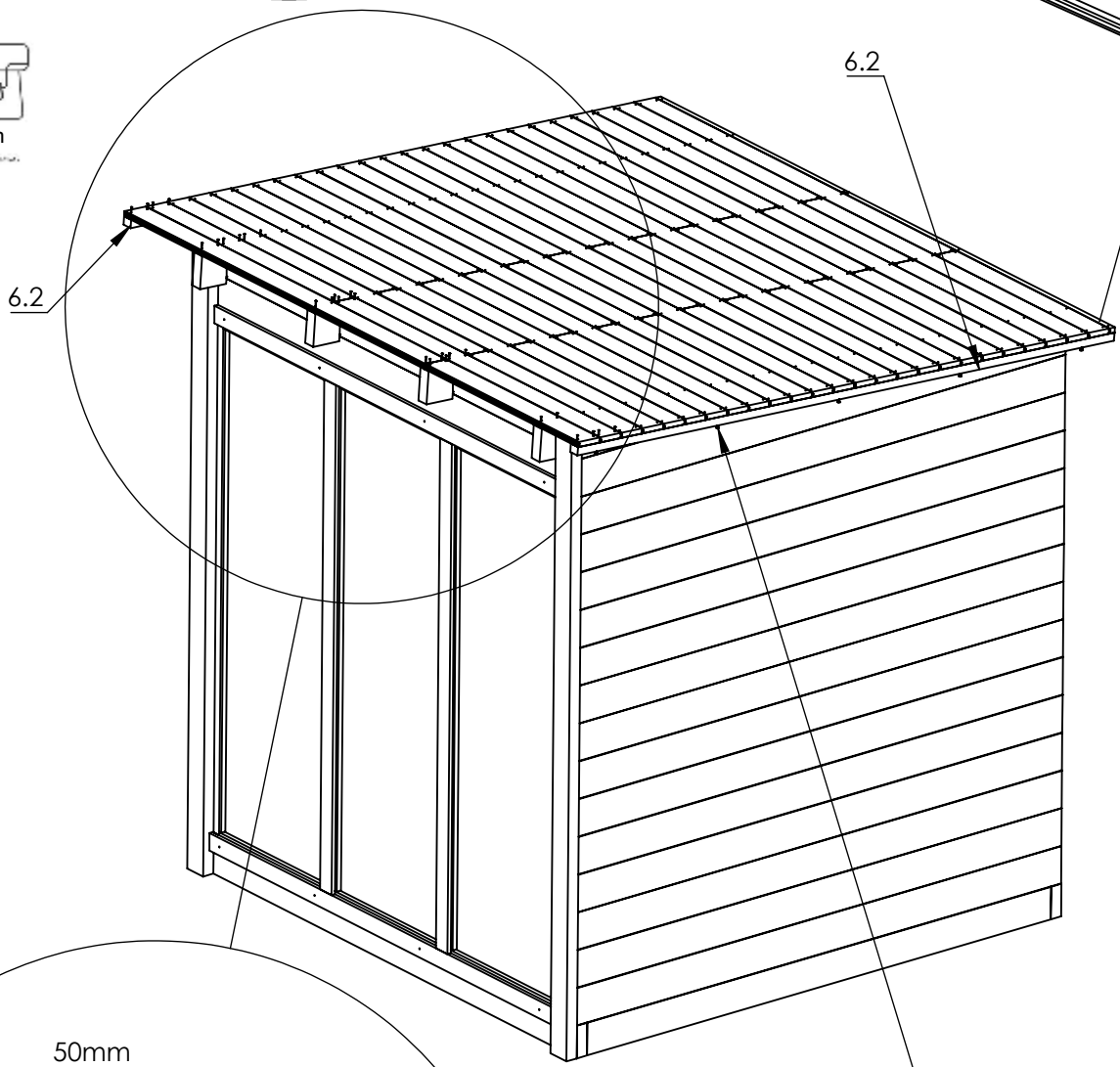
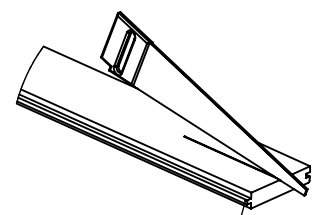
Inside view



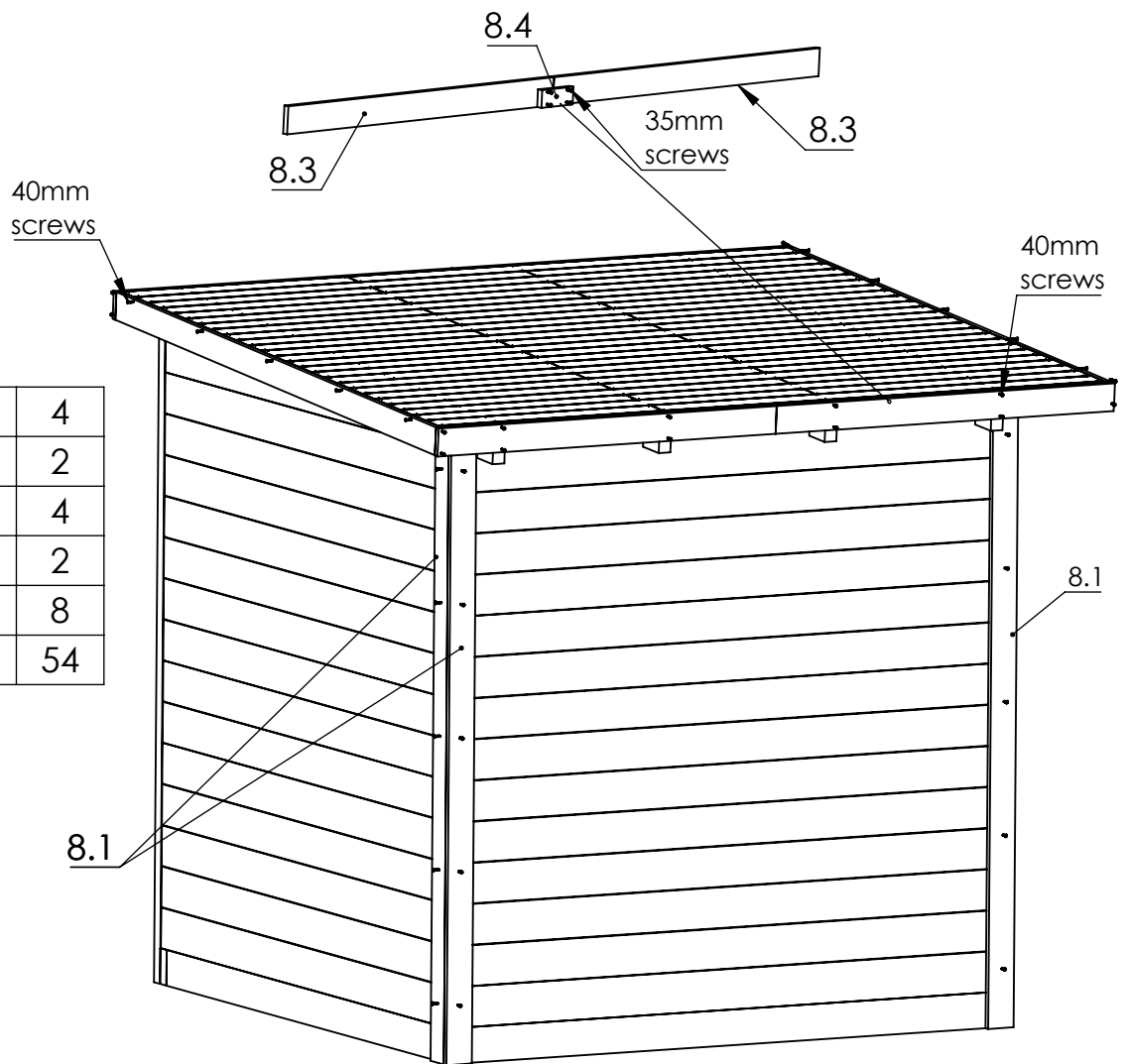
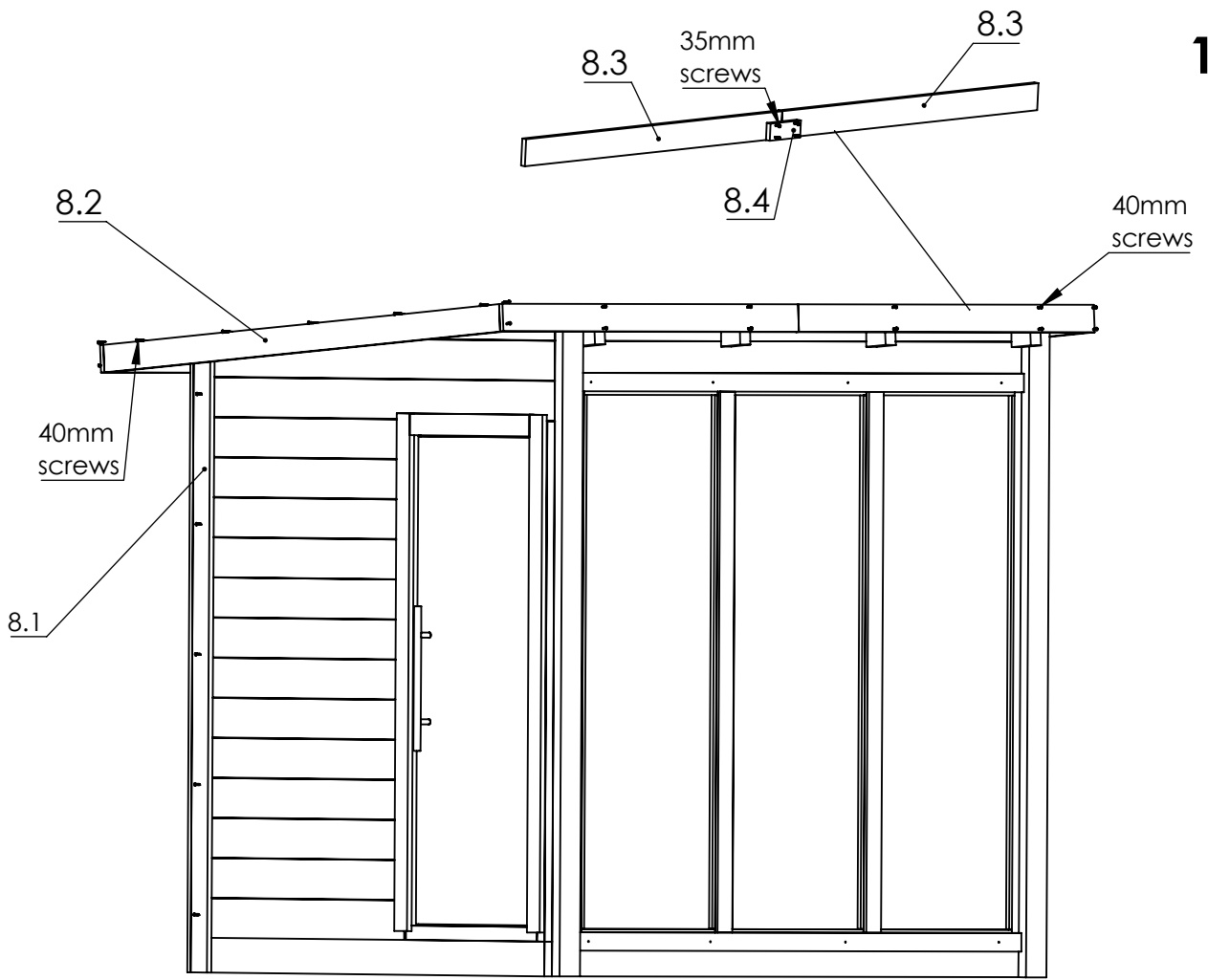
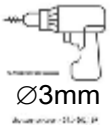
| | |
|-------------|-----|
| 3.1 | 17 |
| 65mm screws | 165 |
| Floor cover | 3 |
| 35mm screws | 18 |



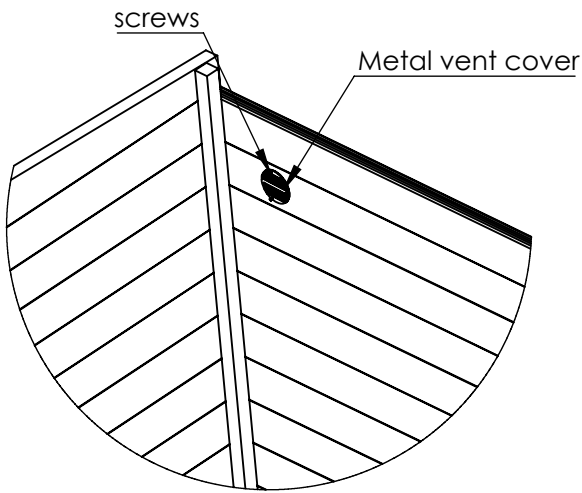
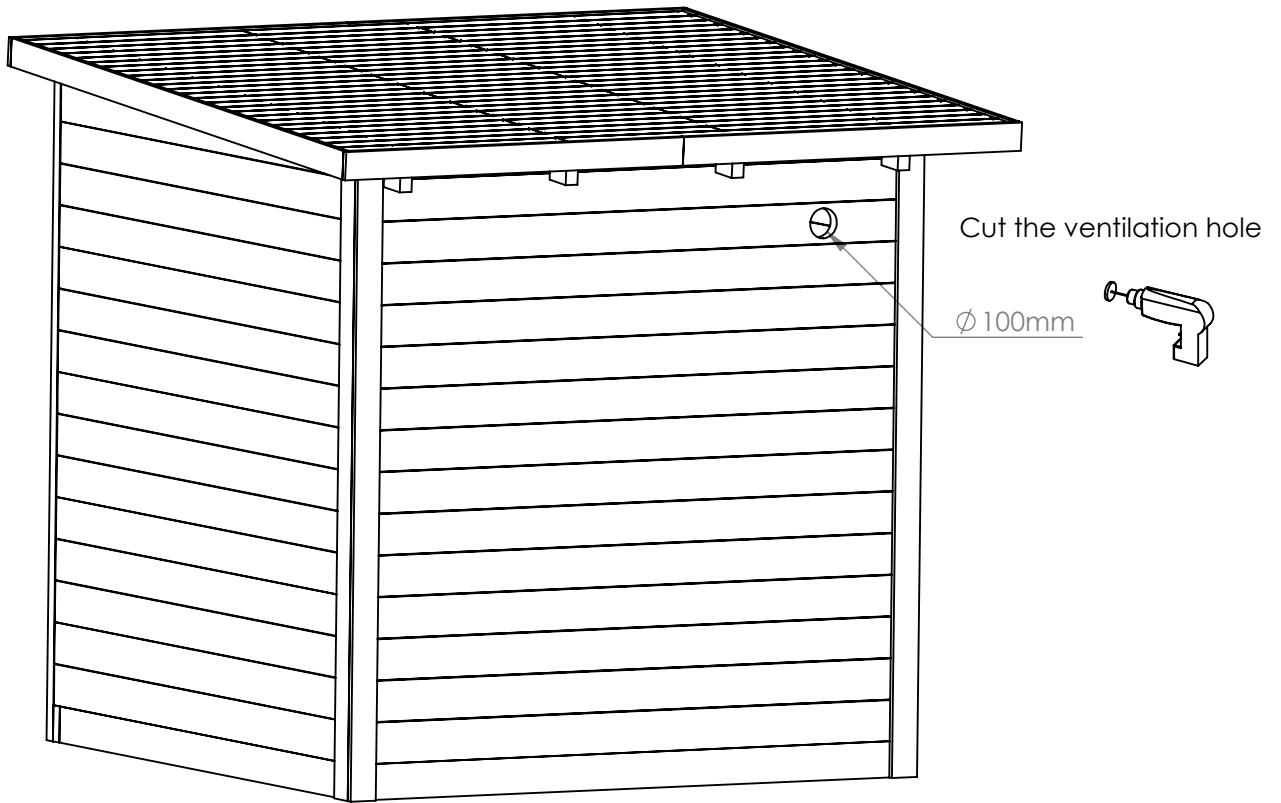
ATTENTION.
Cut the last board



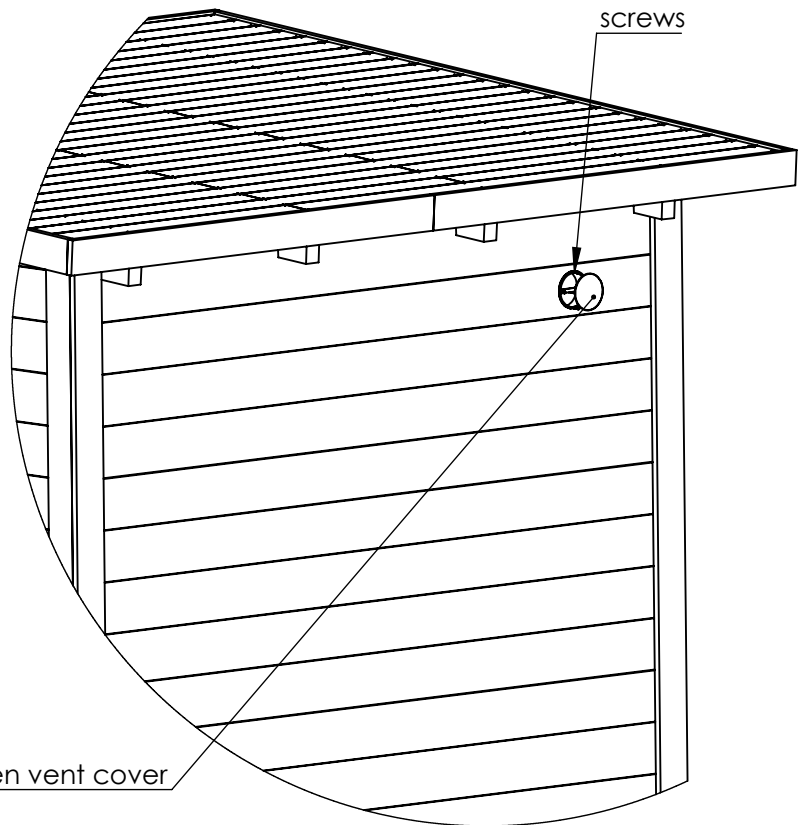
| | |
|-------------|-----|
| 6.2 | 2 |
| 40mm screws | 10 |
| 7.1 | 13 |
| 7.2 | 13 |
| 7.3 | 13 |
| 7.4 | 13 |
| 50mm Nails | 364 |



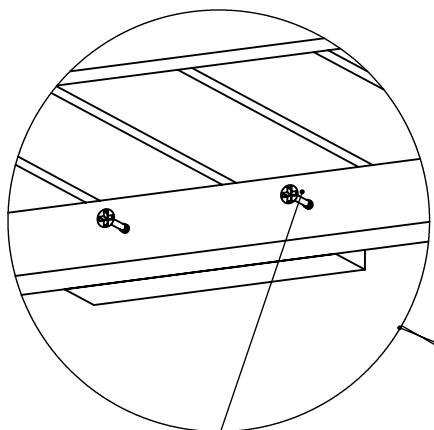
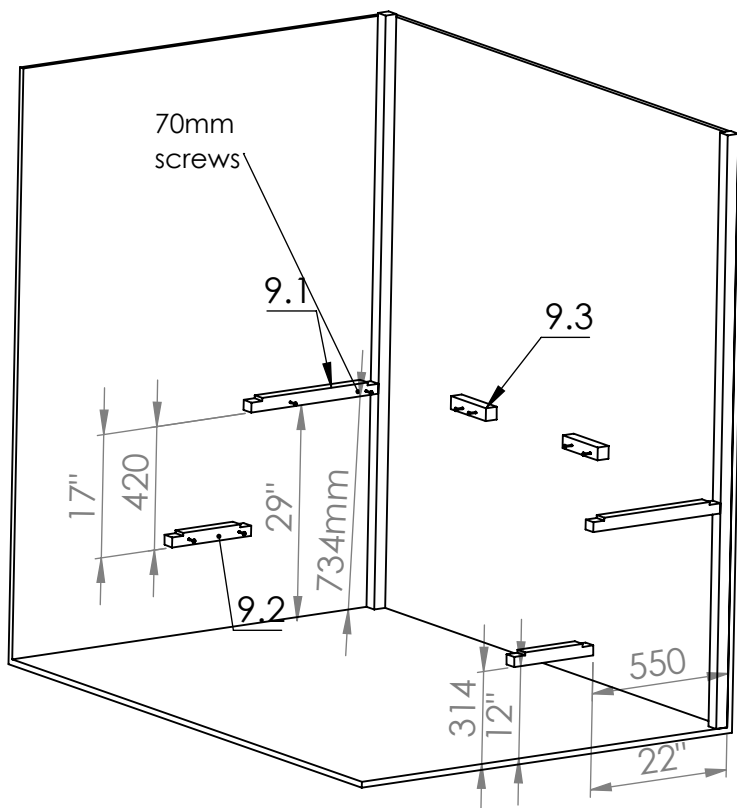
| | |
|-------------|----|
| 8.1 | 4 |
| 8.2 | 2 |
| 8.3 | 4 |
| 8.4 | 2 |
| 35mm screws | 8 |
| 40mm screws | 54 |



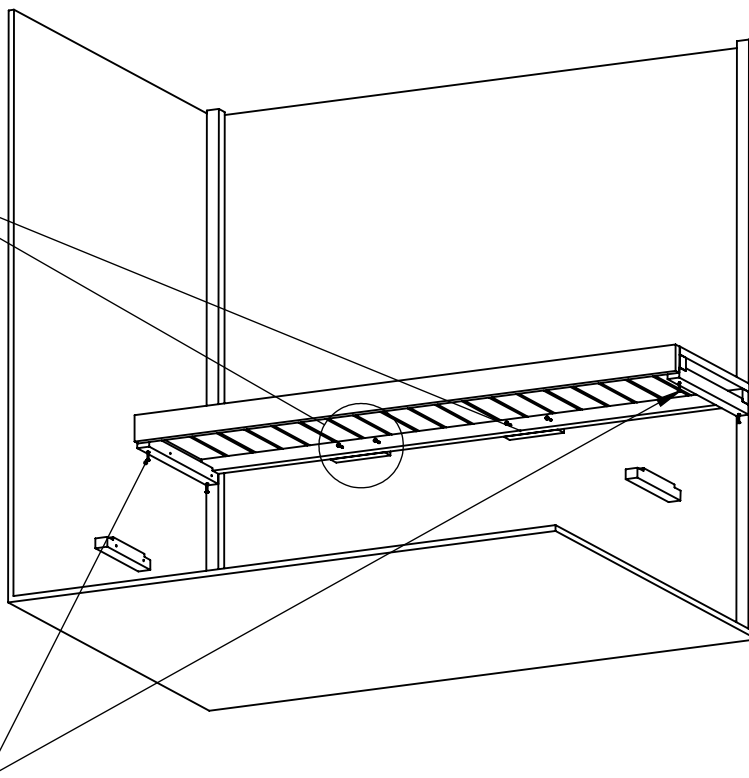
inside view



| | |
|-------------|---|
| Metal vent | 1 |
| Wooden vent | 1 |
| screws | 6 |



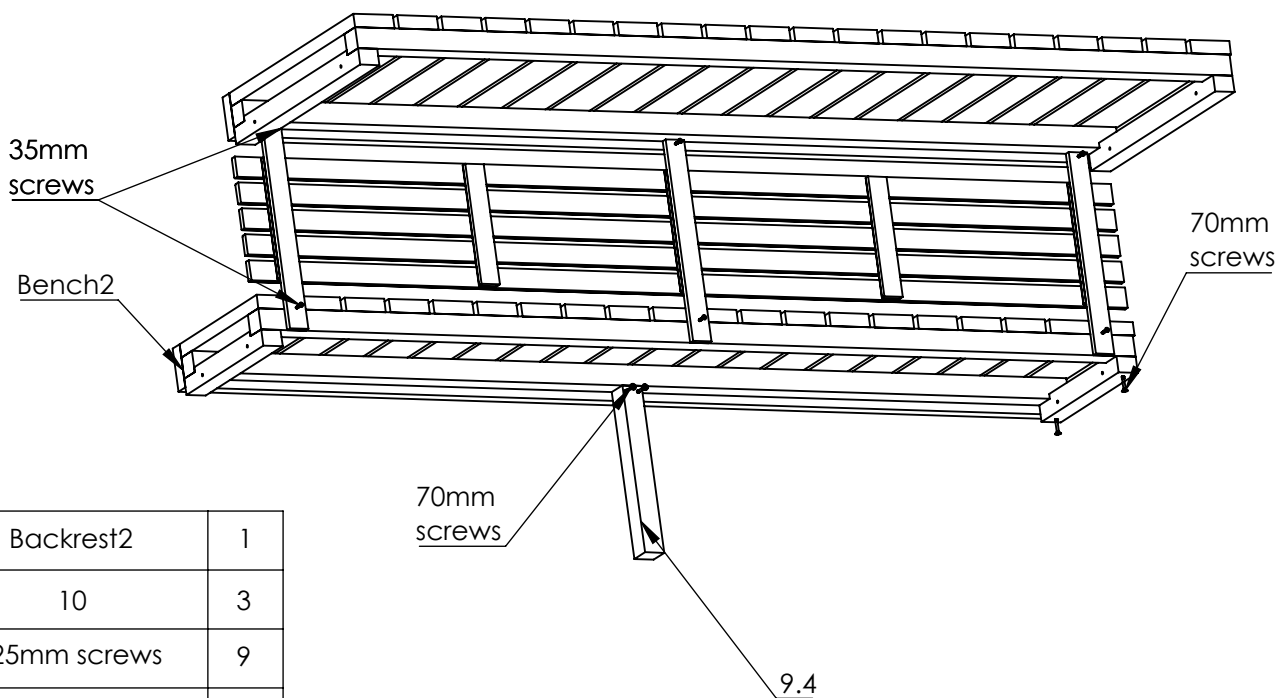
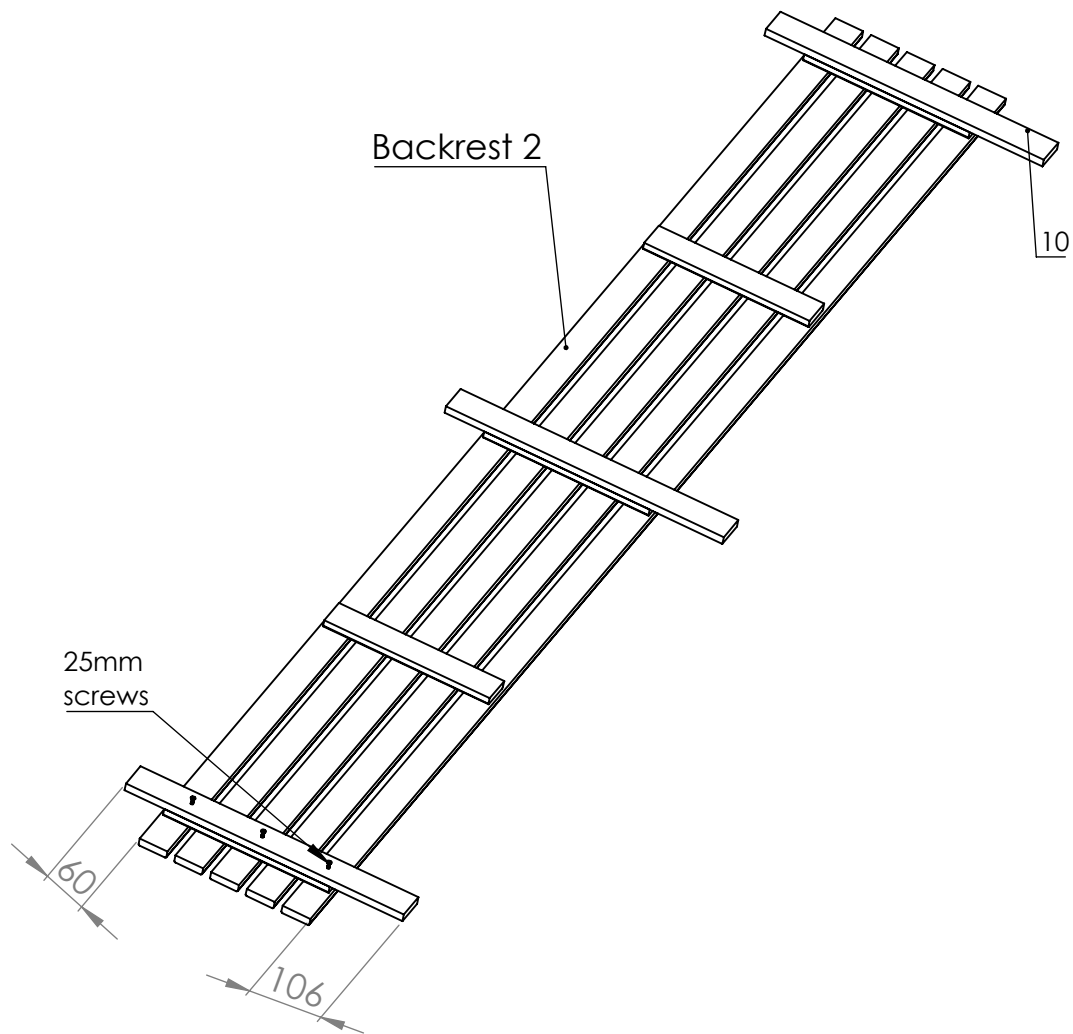
70mm screws



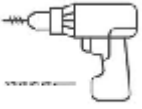
| | |
|-------------|----|
| 9.1 | 2 |
| 9.2 | 2 |
| 9.3 | 2 |
| Bench1 | 1 |
| 70mm screws | 20 |



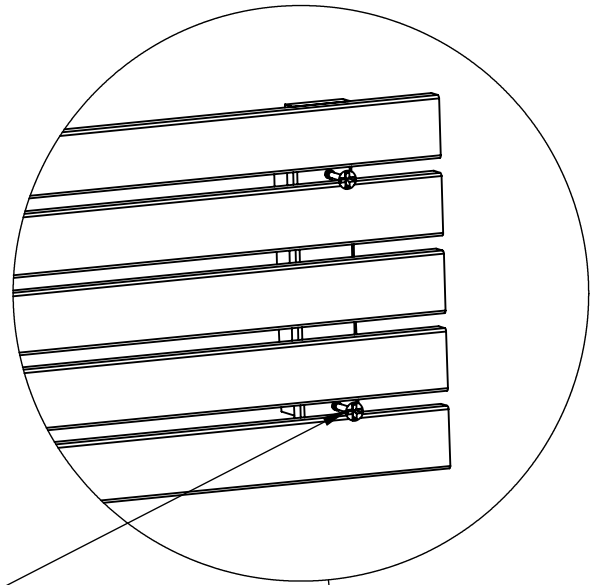
© 2010/11/12



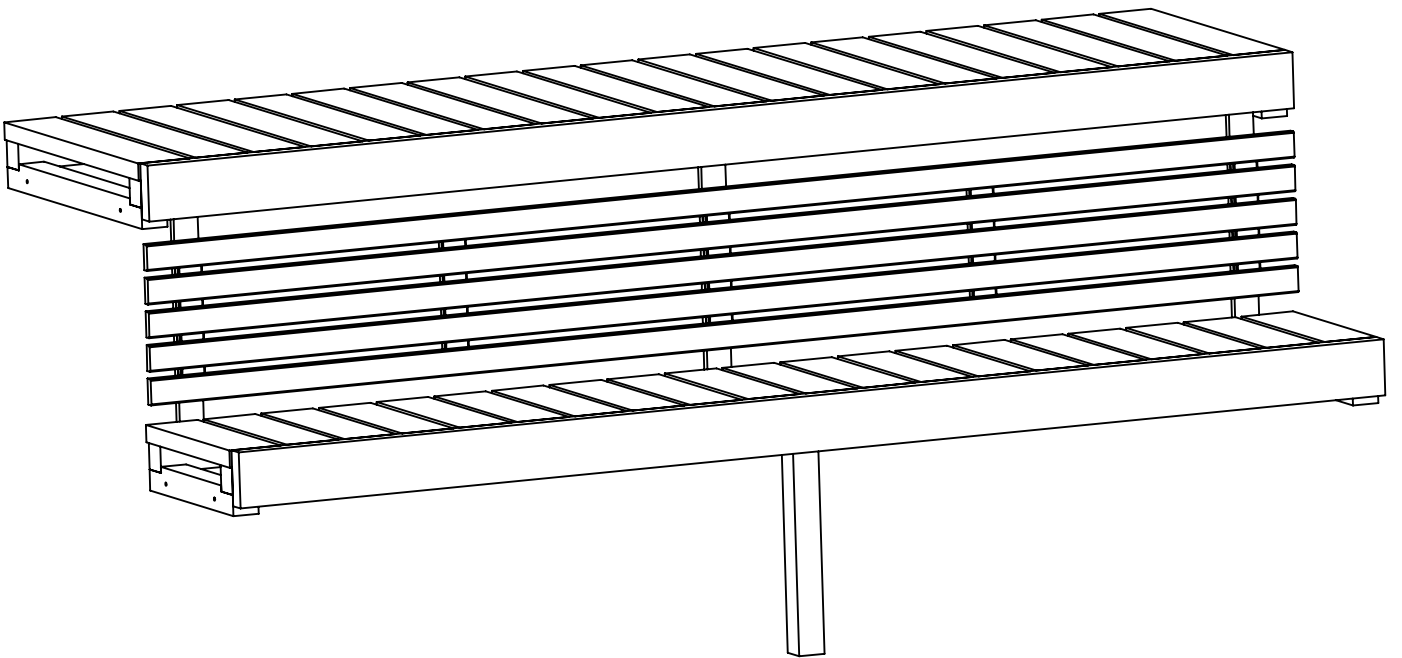
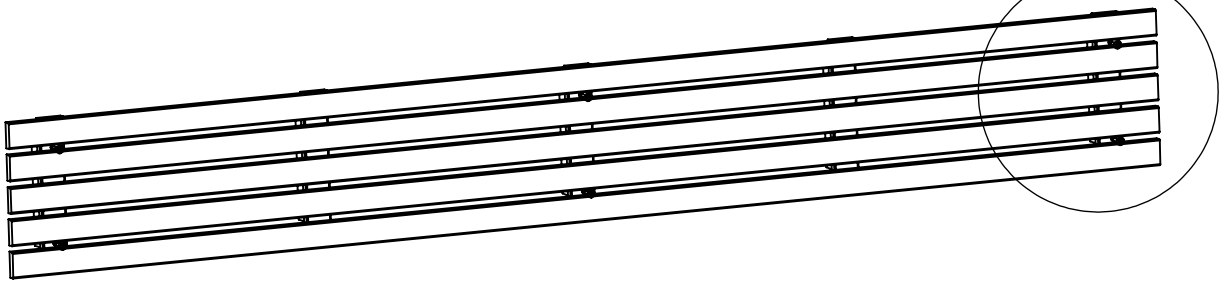
| | |
|-------------|---|
| Backrest2 | 1 |
| 10 | 3 |
| 25mm screws | 9 |
| Bench2 | 1 |
| 9.4 | 1 |
| 70mm screws | 6 |
| 35mm screws | 6 |



skilbreed.com 07 546 32 24



70mm
screws



| | |
|-------------|---|
| Backrest1 | 1 |
| 70mm screws | 6 |