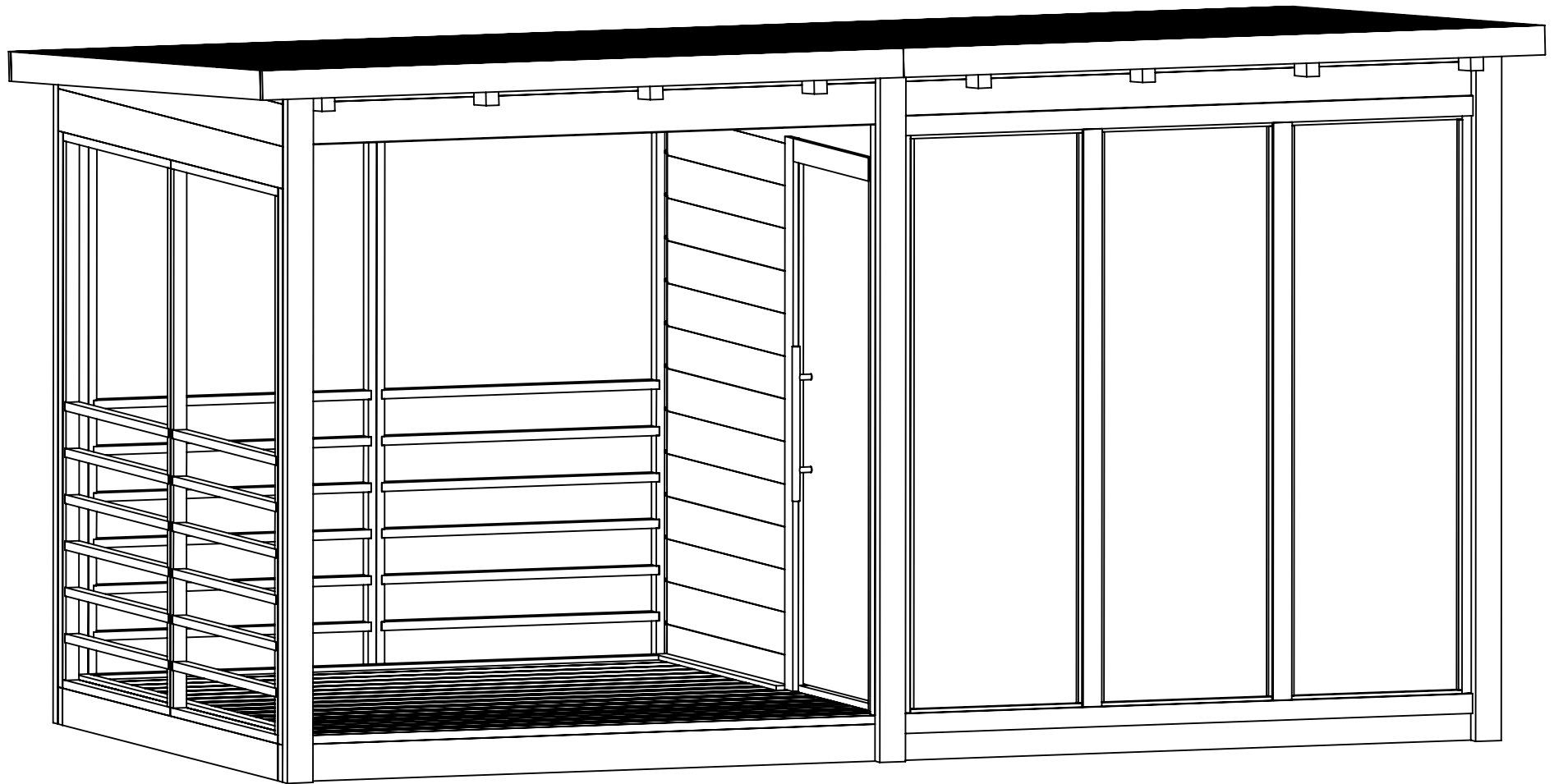
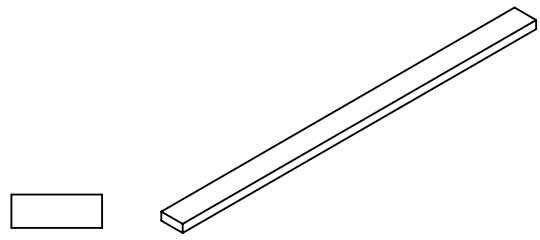
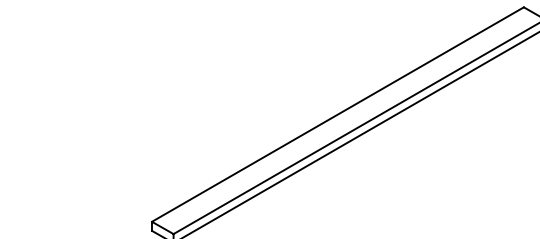
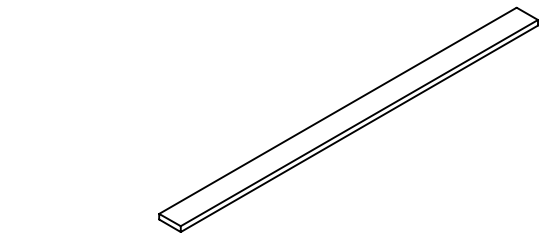


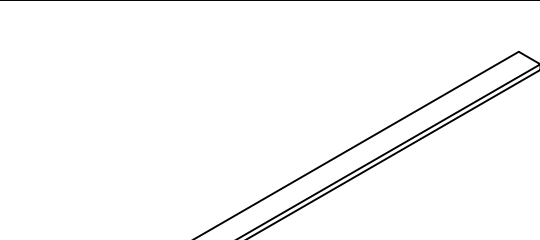
TUULI

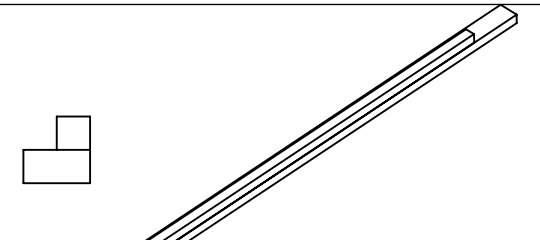


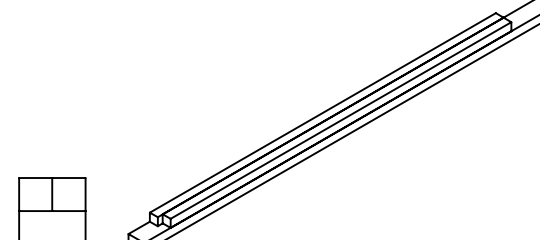
1.1		44x120x1982	13
-----	--	-------------	----

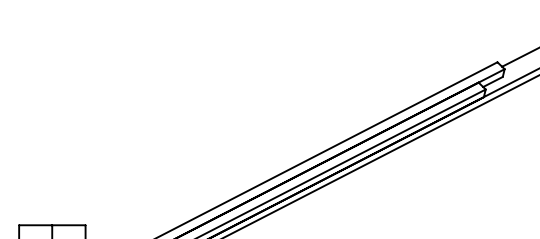
1.2		44x120x2086	4
-----	---	-------------	---

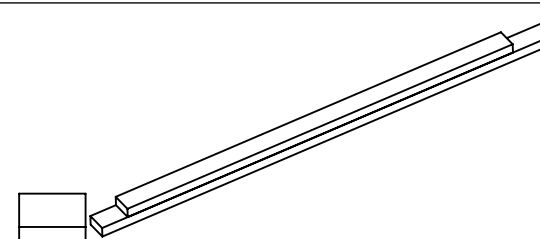
1.3		28x120x2005	17
-----	---	-------------	----

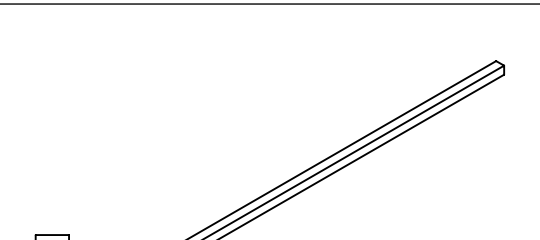
1.4		28x120x2030	17
-----	--	-------------	----

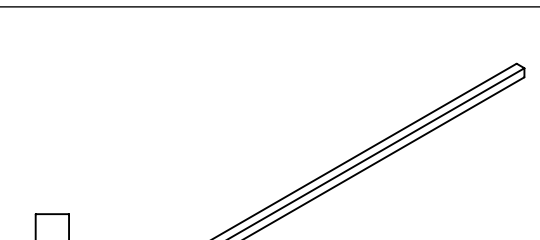
2.1		88x88x2300	1
-----	---	------------	---

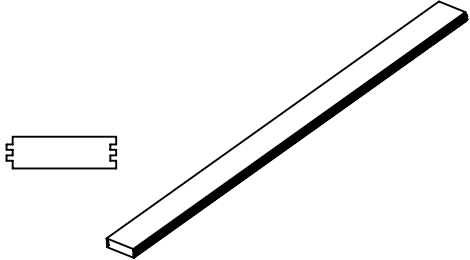
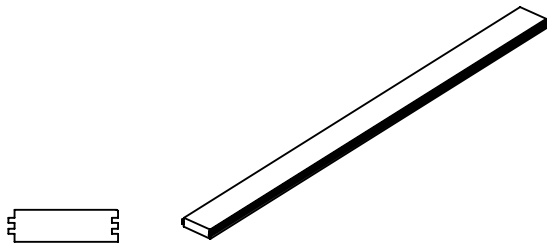
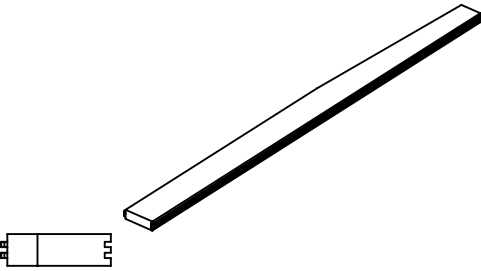
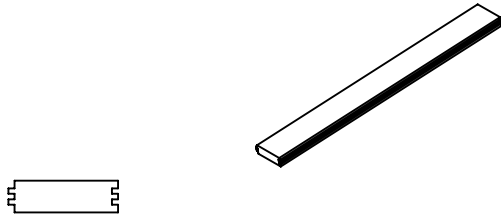
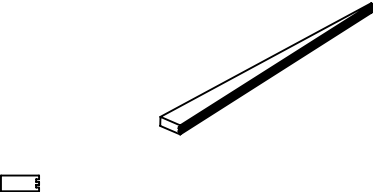
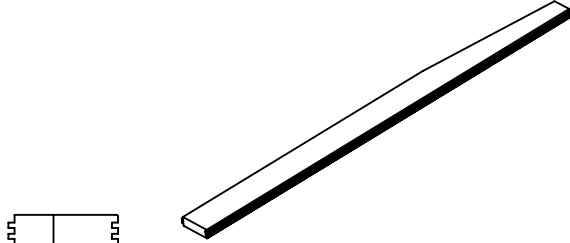
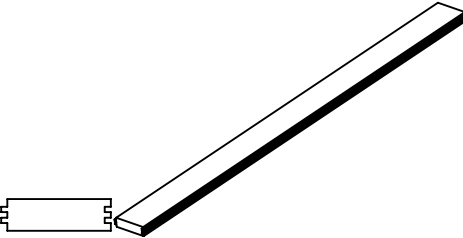
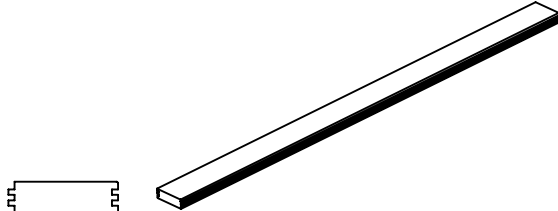
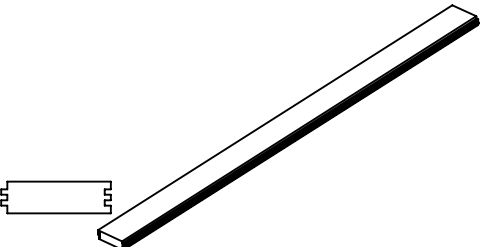

2.2		88x88x2300	1
-----	--	------------	---

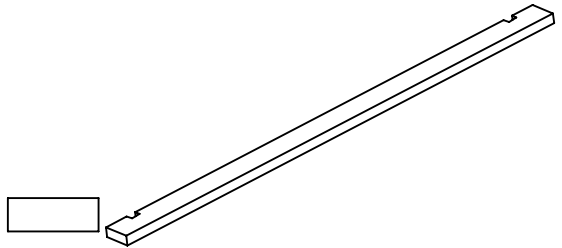
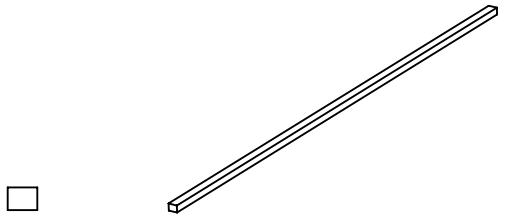
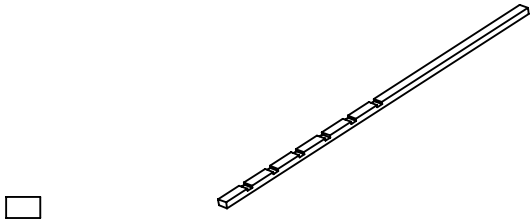
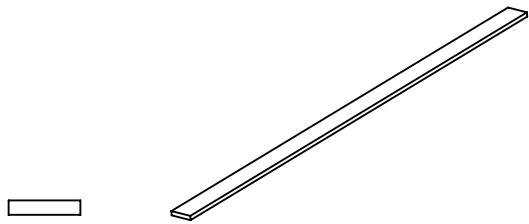
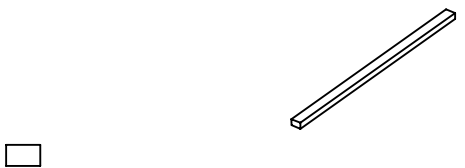
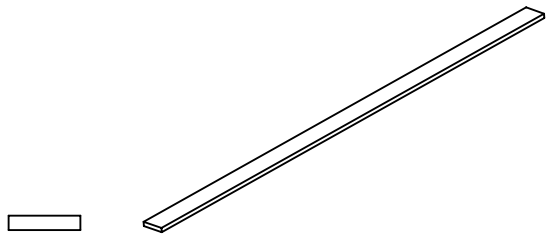


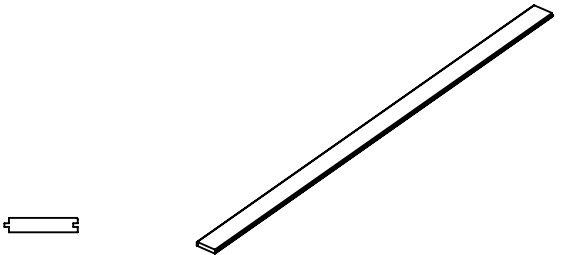
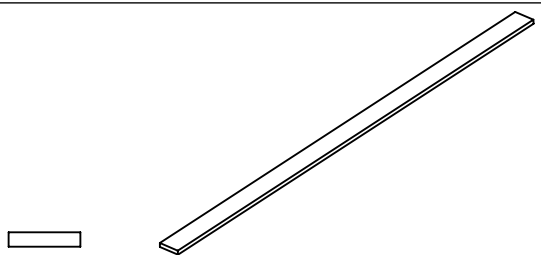
2.3		88x88x2300	1
-----	---	------------	---


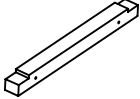
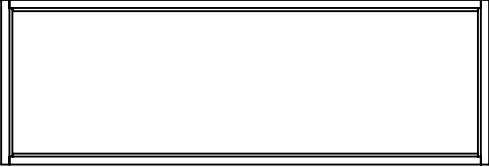

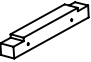
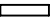
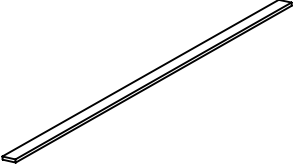

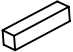

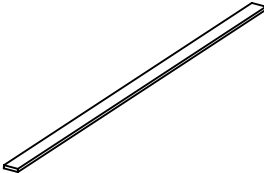

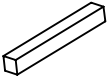

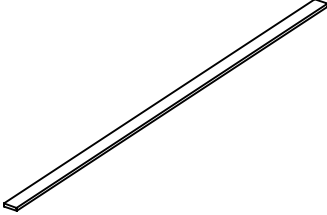
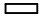

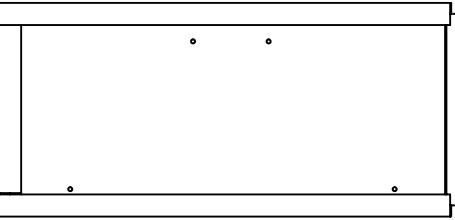
2.4		88x88x2300	1
-----	---	------------	---





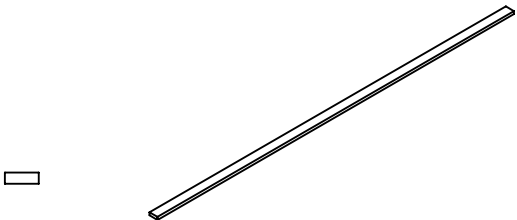
3.1		44x44x1781	1
-----	--	------------	---


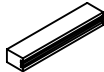
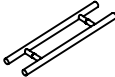


3.2		44x44x2010	2
-----	---	------------	---

4.1		42X145X2070	15	5.3		42X145X2102	1
4.2		42X145X2070	2	6.1		42X145X1170	13
4.3		42X101X1212	3	6.2		42X145X1986	1
5.1		42X145X2053	13	7.1		42X145X2045	2
5.2		42X145X1986	2	7.2		42X97X520	14

8		44x120x2300	8	10.2		30x39x2300	2
9.1		28x45x1744	8	11.1		19x95x2204	4
9.2		28x45x990	8	11.2		19x95x2300	2
9.3		28x45x954	24	11.3		19x60x150	2
10.1		19x97x2185	52	11.4		19x95x2140	3

12.1	 	44X44X515	2	Window		44X653X1935	3
12.2	 	44X44X320	2	Window cover1	 	14X64X1870	4
12.3	 	44X44X200	2	Window cover2	 	14X64X1960	2
12.4	 	44X44X348	1	Window cover3	 	14X64X1988	1
12.5	 	12X42X420	3	Door		82X843X1825	1

Bench1		90x543x2000	1
Bench2		90x348x200	1
Backrest 1		56x260x2000	1
Backrest 2		24x260x2000	1
Floor cover		15x45x200	3

Distance block		2
Hitting block		1
Door handle		1
Inside vent cover (wood)		1
outside vent cover (metal)		1

180mm screws	10
140mm screws	44
120mm screws	23
80mm screws	52
70mm screws	239
65mm screws	340
50mmscrews	128
40mm screws	131
35mm screws	25
25mm screws	9
50mm Nails	548

FI

ENNEN KOKOONPANOAO

- Suosittelemme lukemaan ohjeet huolellisesti ennen kokoamisen aloittamista ja sen jälkeen noudattamaan helppoa vaiheittaista ohjetta. Ohjekirja on vain kokoonpano-ohje. Tietyt tuotteet eivät välttämättä ole mittakaavassa.
- Tarkista kaikki osat ennen kokoonpanoa.
- Poraa kaikki ruuvien paikat merkittyihin kohtiin.
- Tämän tuotteen kokoonpanoon tarvitaan vähintään kaksi henkilöä.
- Älä koskaan yritä pystyttää kokoonpanoa kovassa tuulessa.

SUOSITELTAVAT KOKOONPANOYÖKALUT:



Ø 5 mm
Ø 3 mm



PZ2



Ø 100 mm

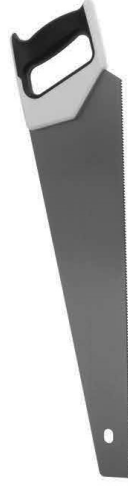


SV

FÖRE MONTERING

- Vi rekommenderar att du tar dig tid att läsa instruktionerna innan du påbörjar monteringen och sedan följa den enkla steg-för-steg-guiden. Instruktionsbladet är endast en vägledning för monteringen. Vissa föremål kanske inte visas i rätt skala.
- Kontrollera alla komponenter före montering.
- Borra alla skruvpositioner där det anges.
- Denna produkt bör monteras av minst två personer.
- Försök aldrig montera konstruktionen i hård vind.

REKOMMENDERADE VERKTYG FÖR MONTERING:

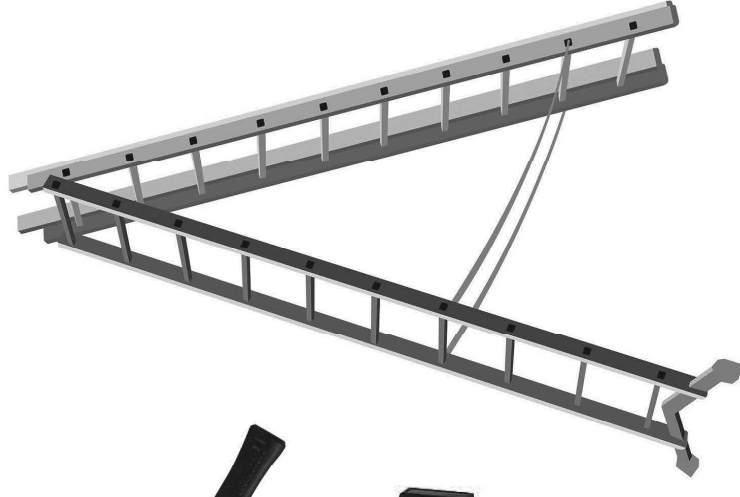


EN

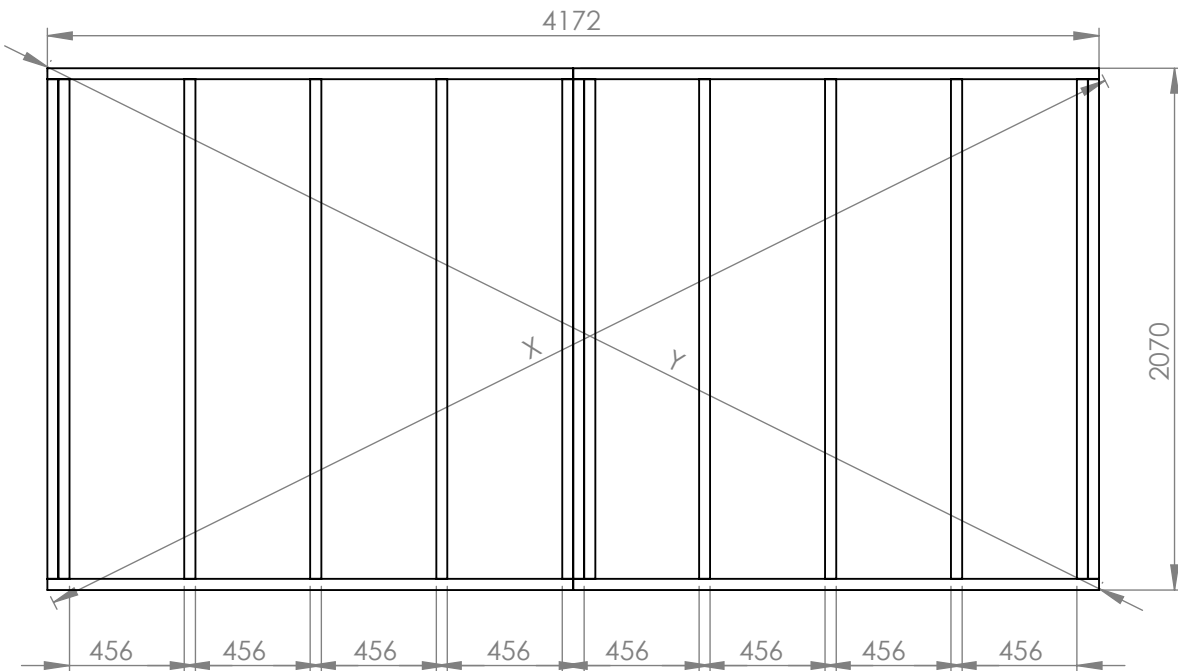
BEFORE ASSEMBLY

- We recommend that time is taken to read the instructions before starting assembly, then follow the easy step by step guide. The instruction sheet is only a guide to the assembly. Certain items may not be shown to scale.
- Check all components prior to assembly.
- Drill all screw locations where indicated.
- This product should be assembled by no fewer than two people.
- Never attempt to erect the assembly in high winds.

RECOMMENDED TOOLS FOR ASSEMBLY:

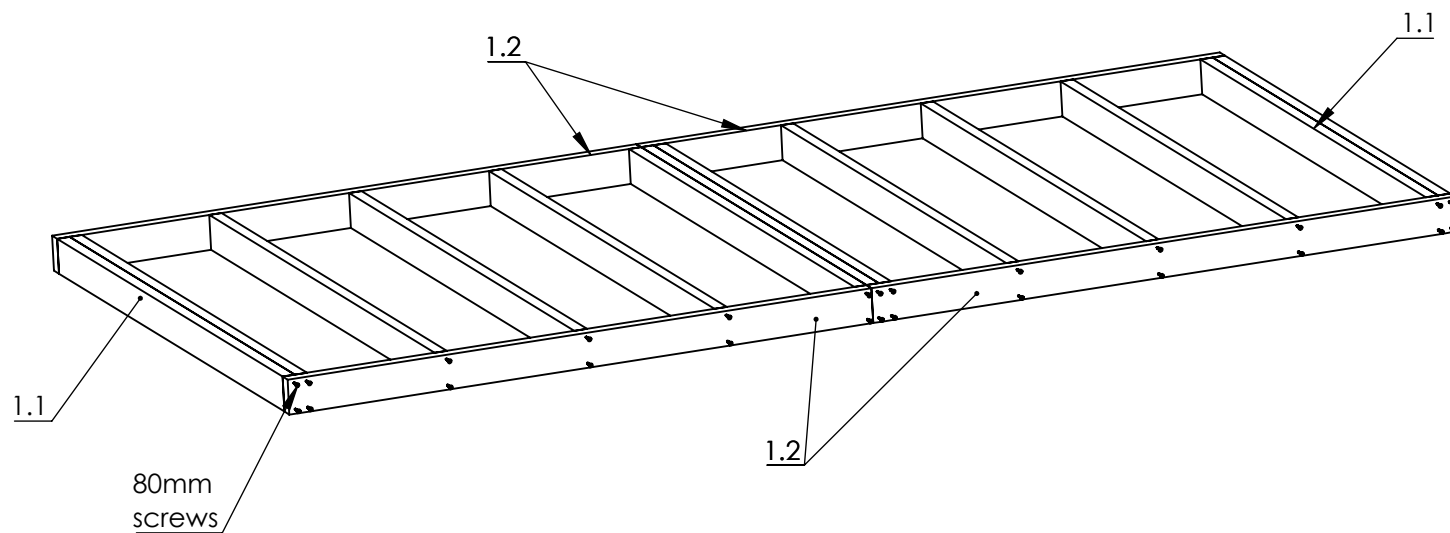


Min

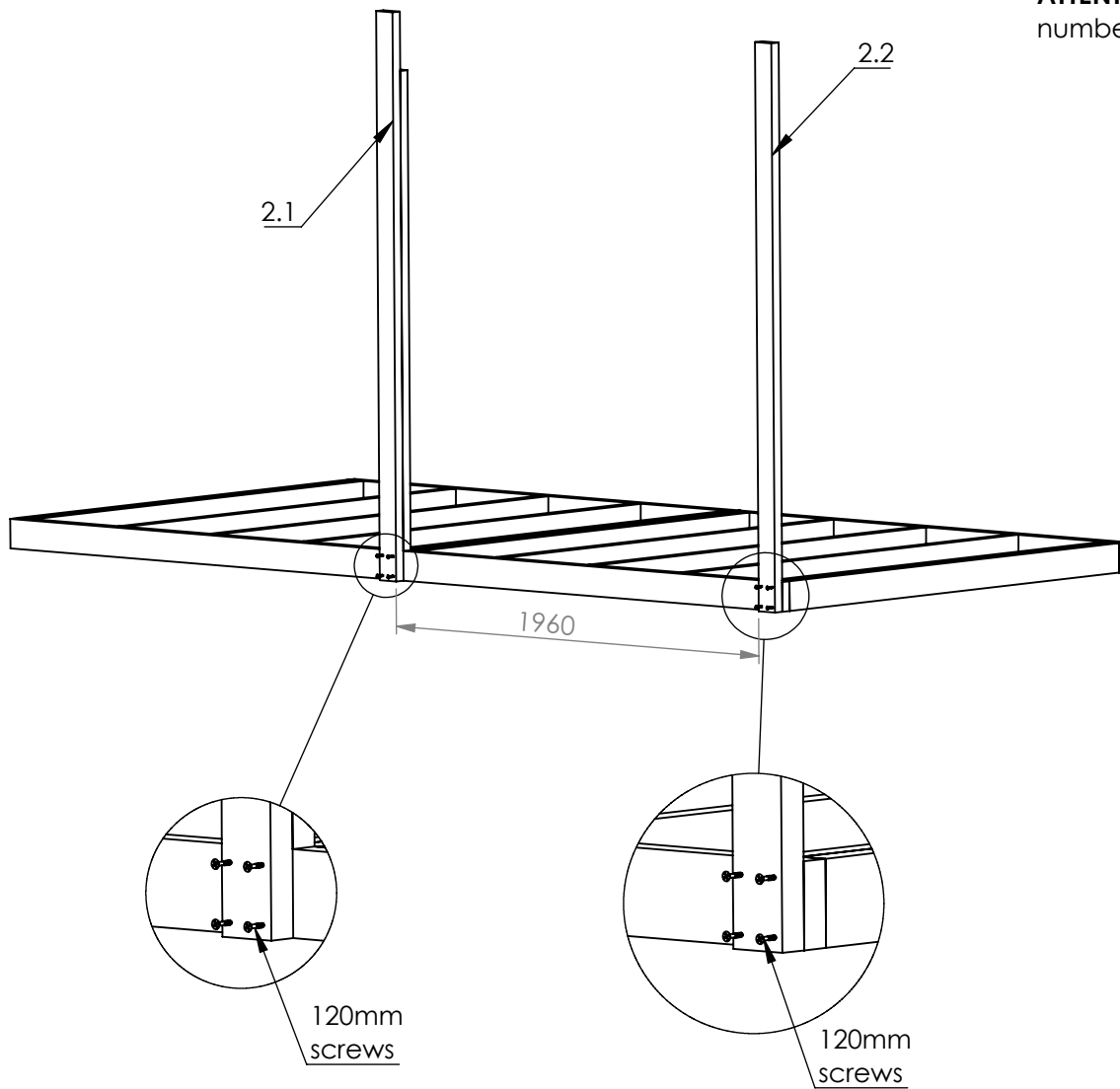
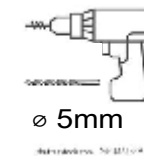


X=Y

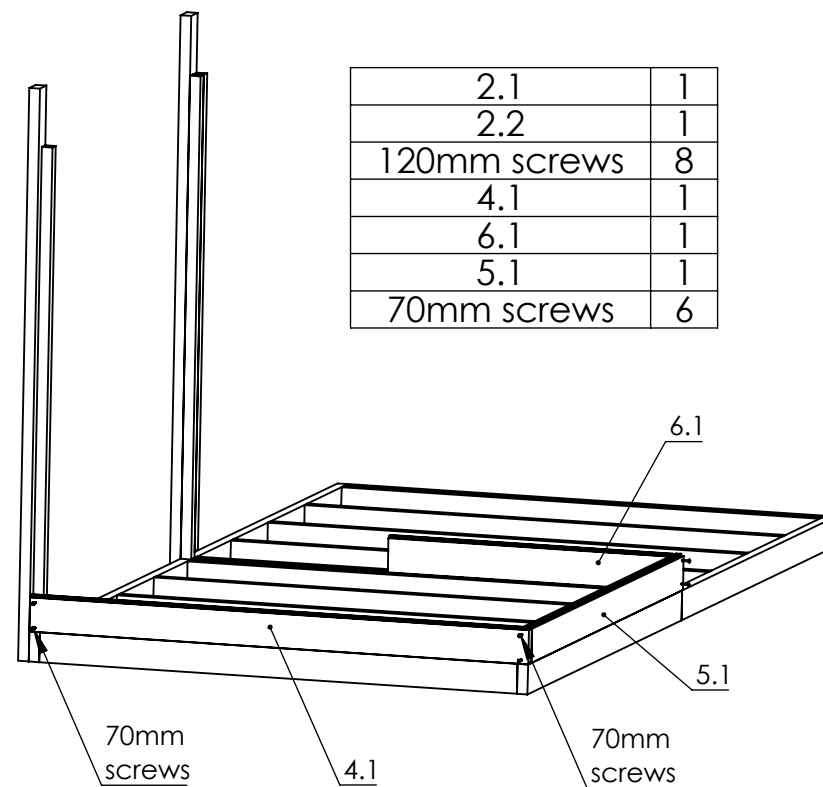
1.1	13
1.2	4
80mm screws	52



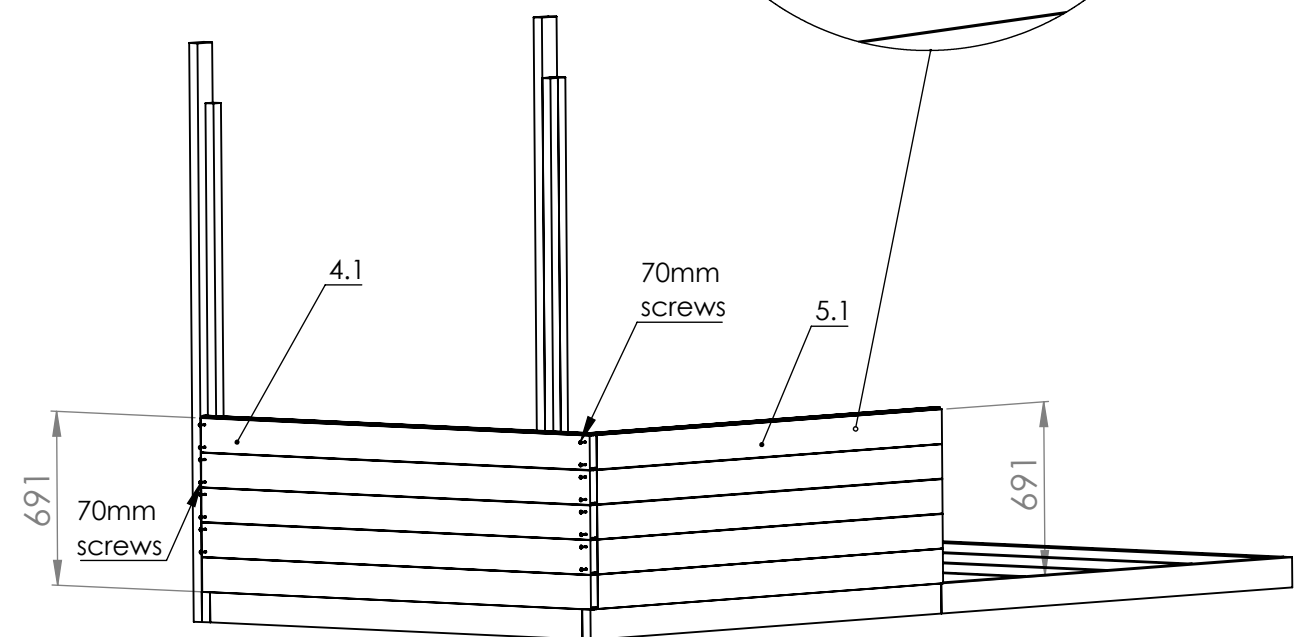
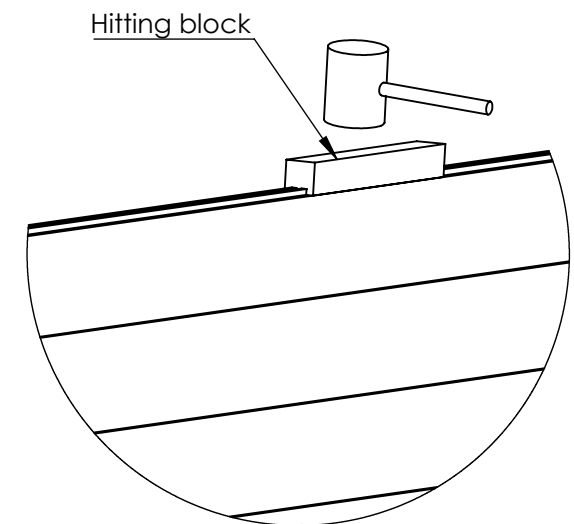
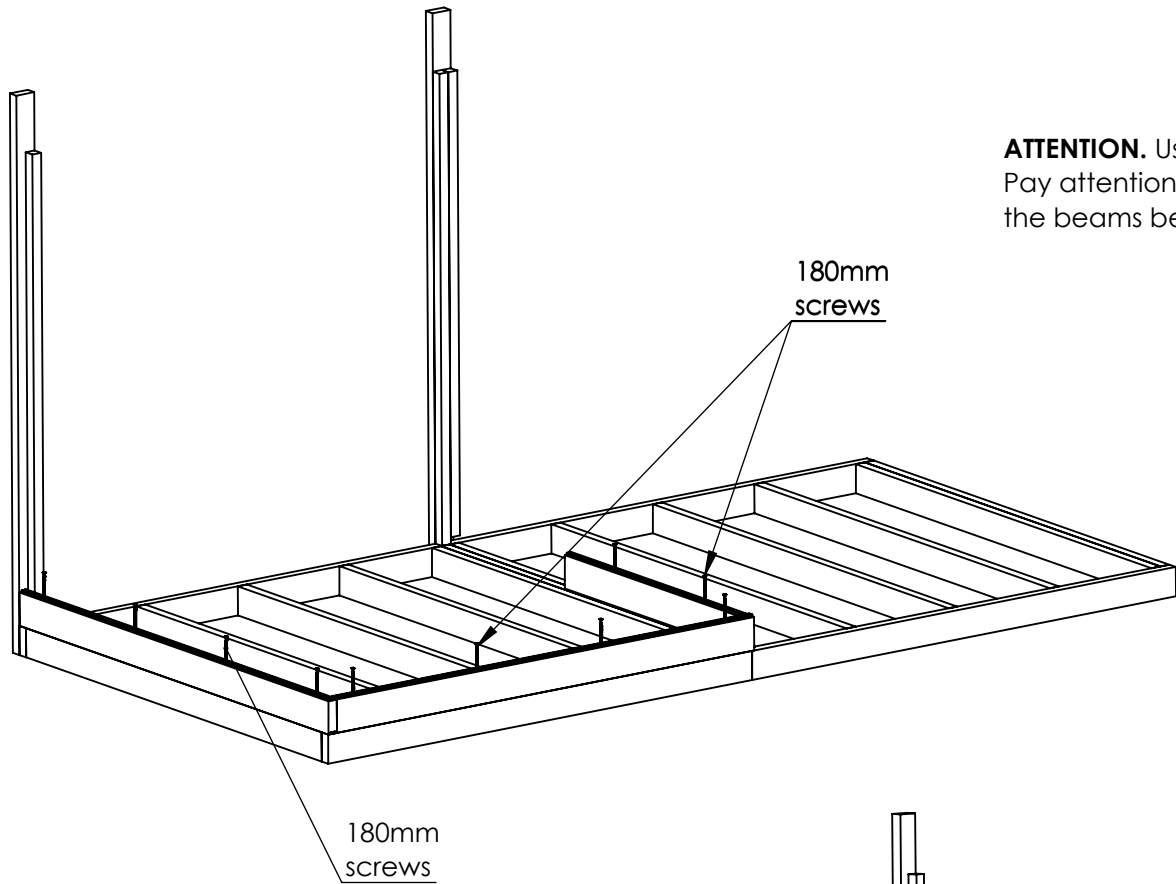
ATTENTION. Pay attention to the post numbers written on the posts



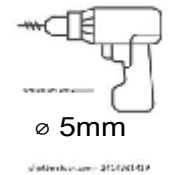
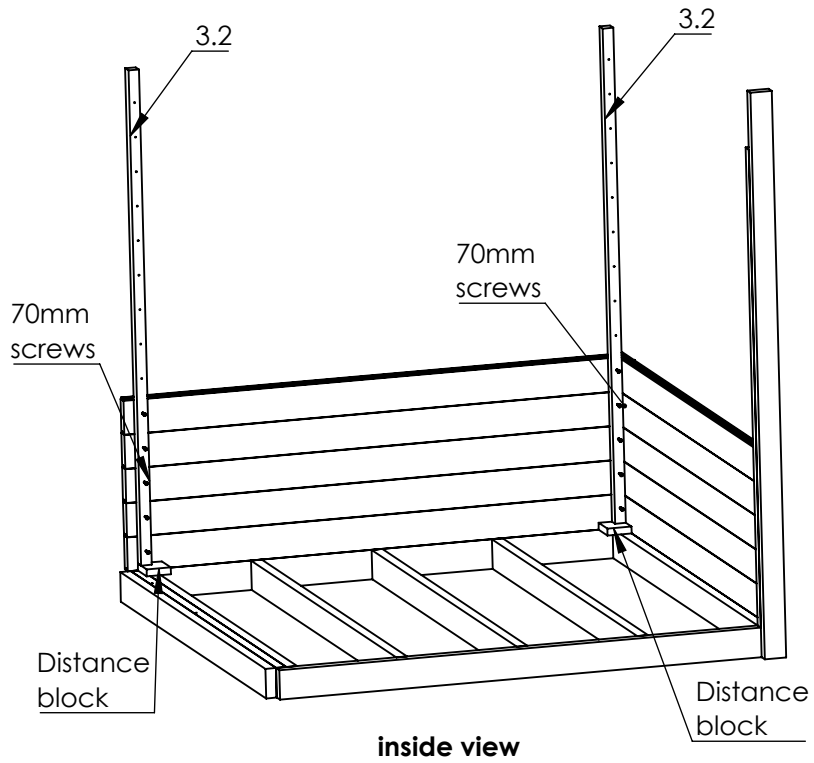
2.1	1
2.2	1
120mm screws	8
4.1	1
6.1	1
5.1	1
70mm screws	6



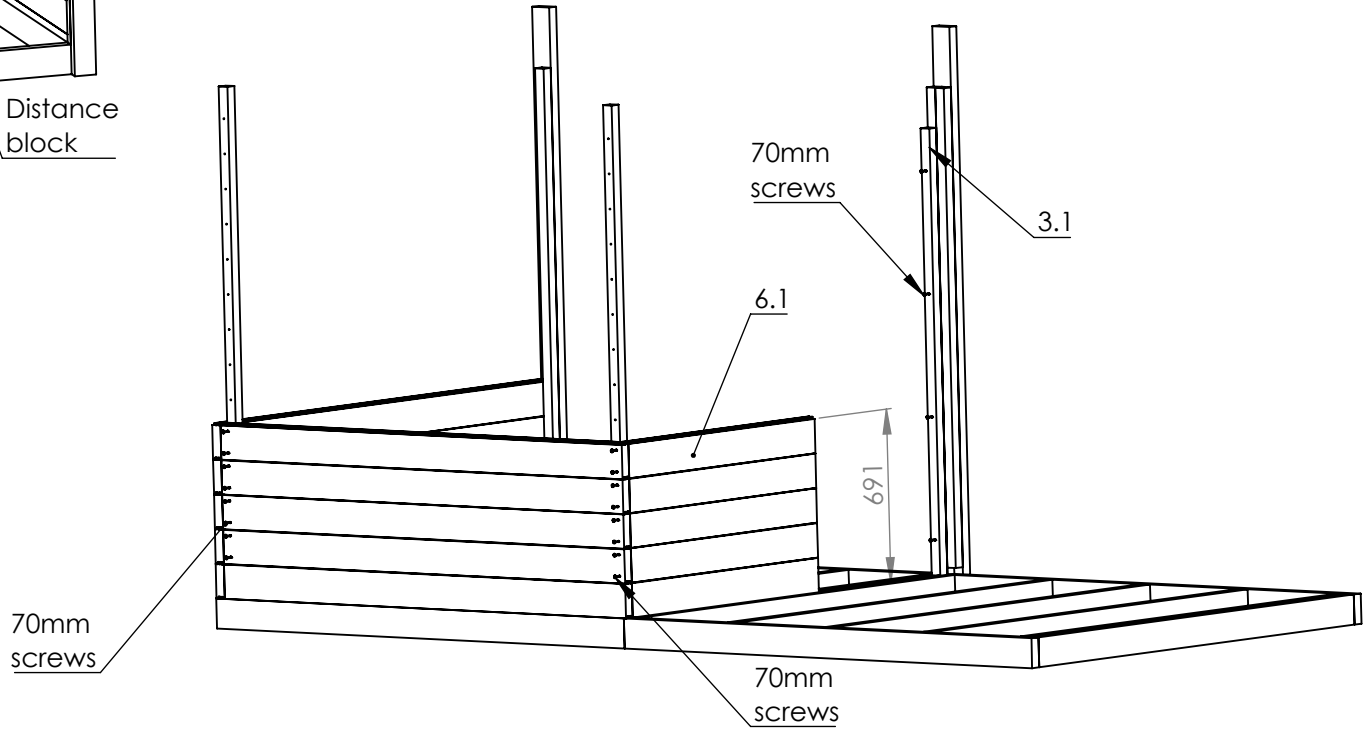
ATTENTION. Use hitting block when fixing the beams .
Pay attention to check the measurements between
the beams before each step.

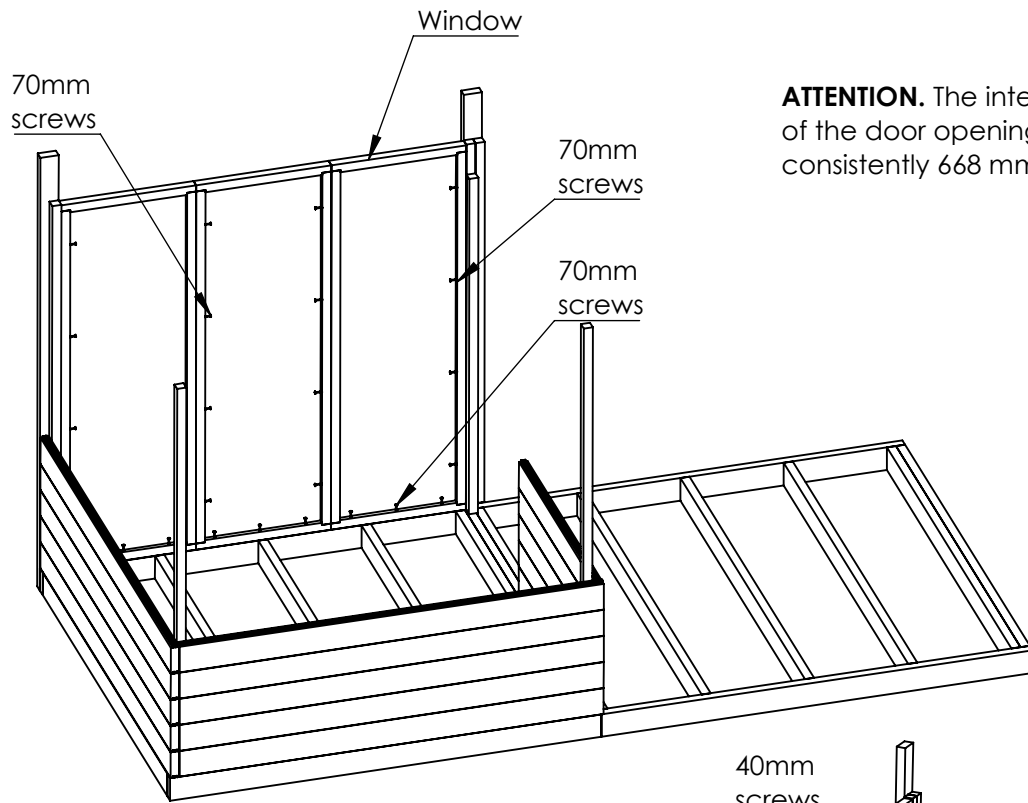


180mm screws	10
4.1	4
5.1	4
70mm screws	16

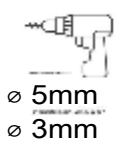
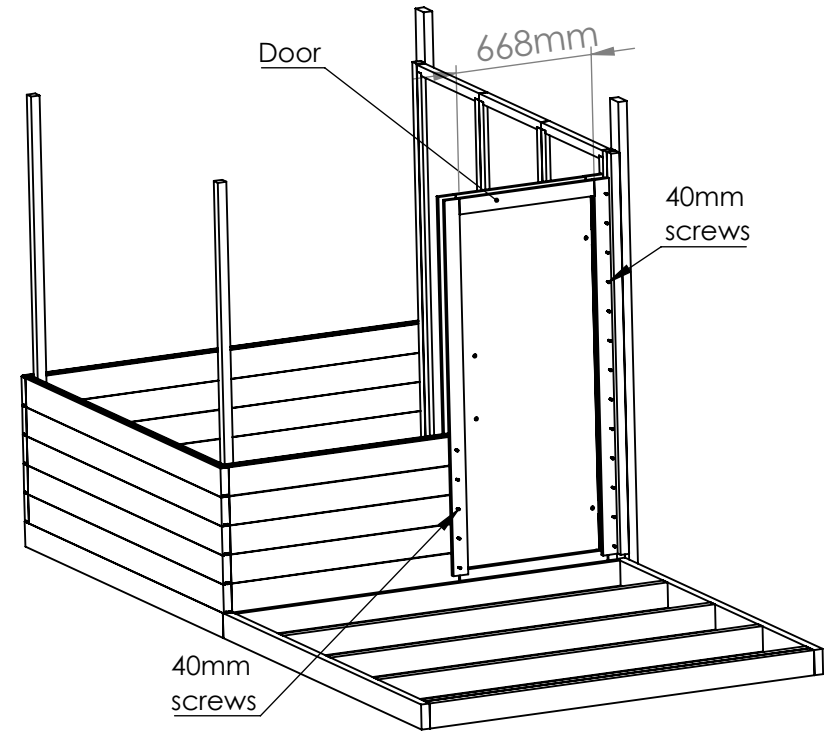


Distance block	2
3.1	1
3.2	2
6.1	4
70mm screws	48

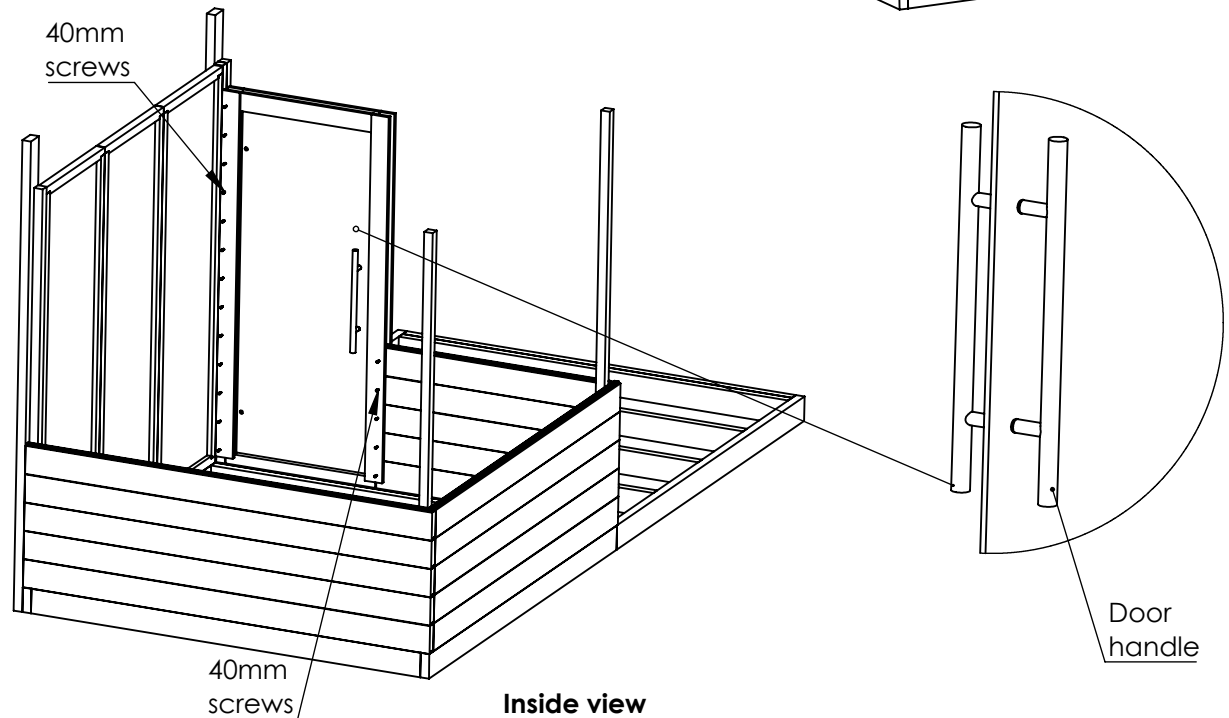




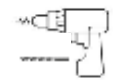
ATTENTION. The interior width of the door opening must be consistently 668 mm



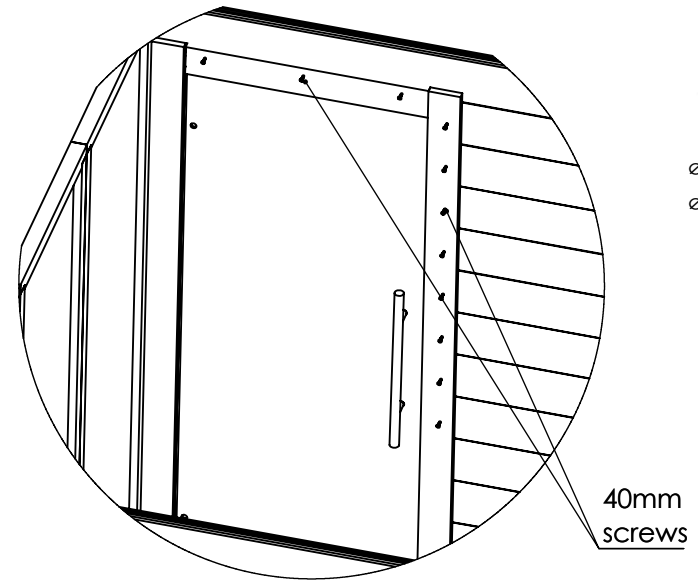
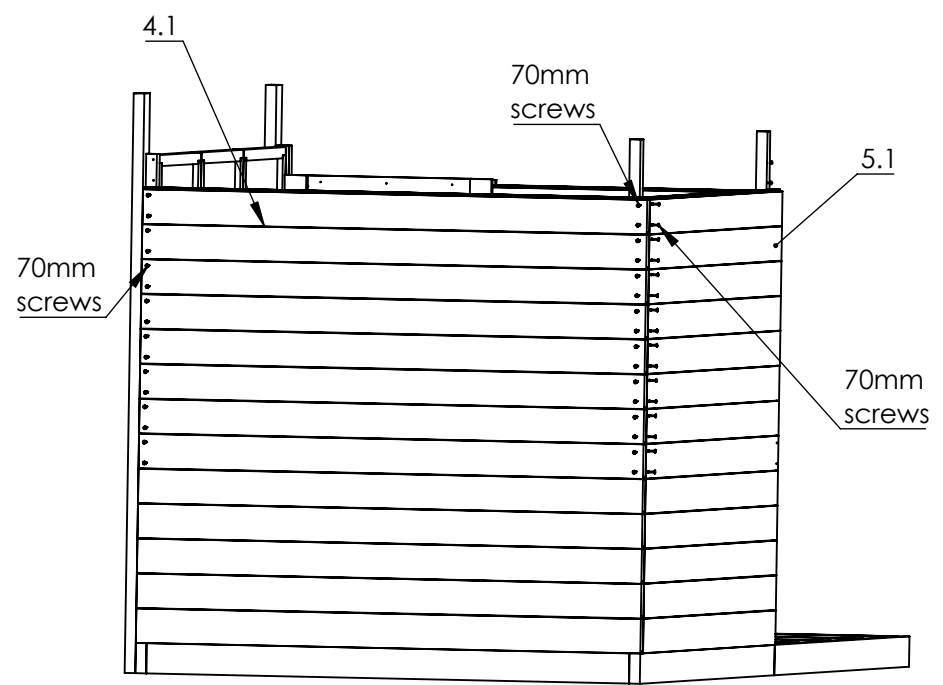
Window	3
70mm screws	25
Door	1
Door handle	1
40mm screws	36



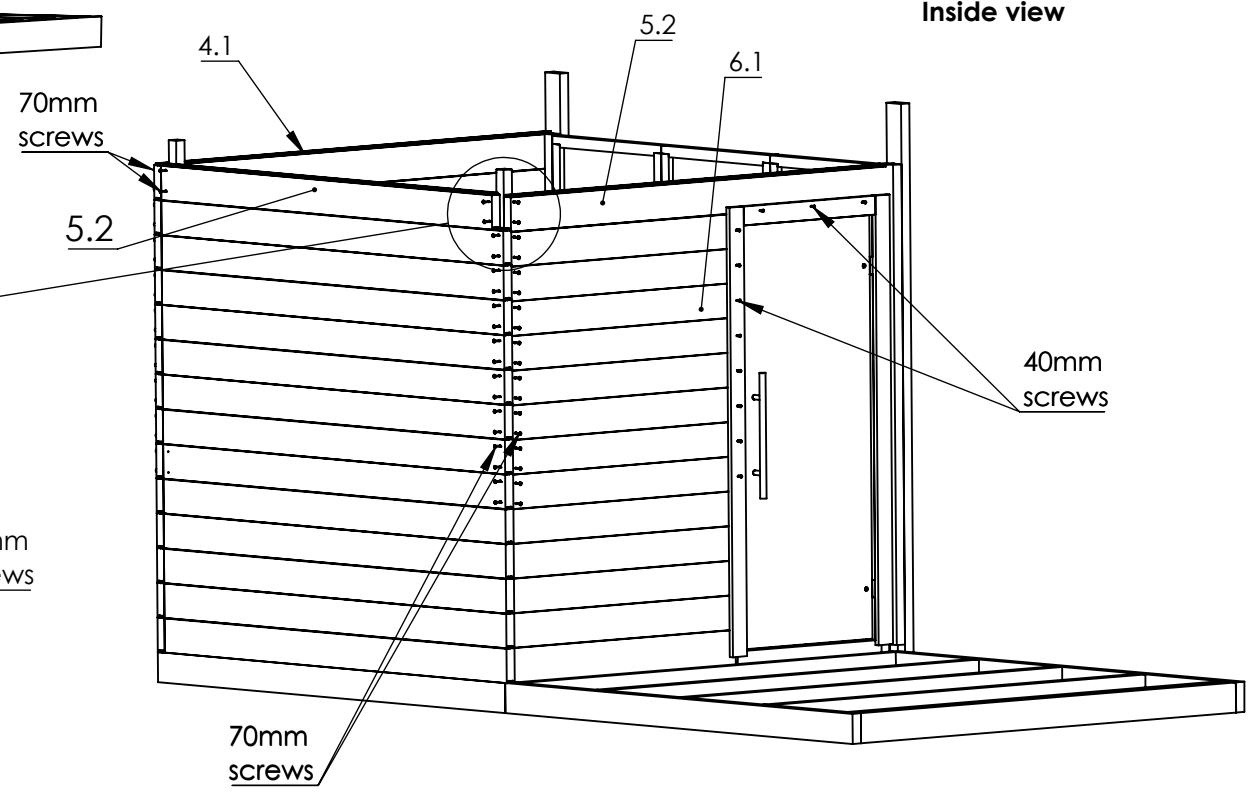
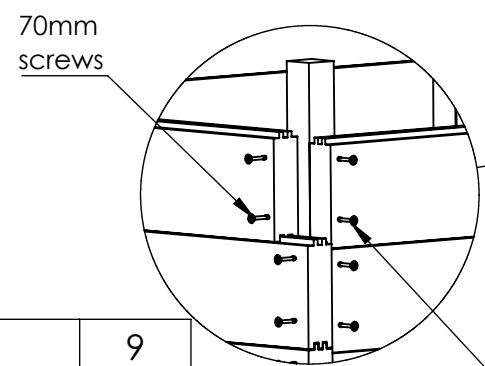
Inside view



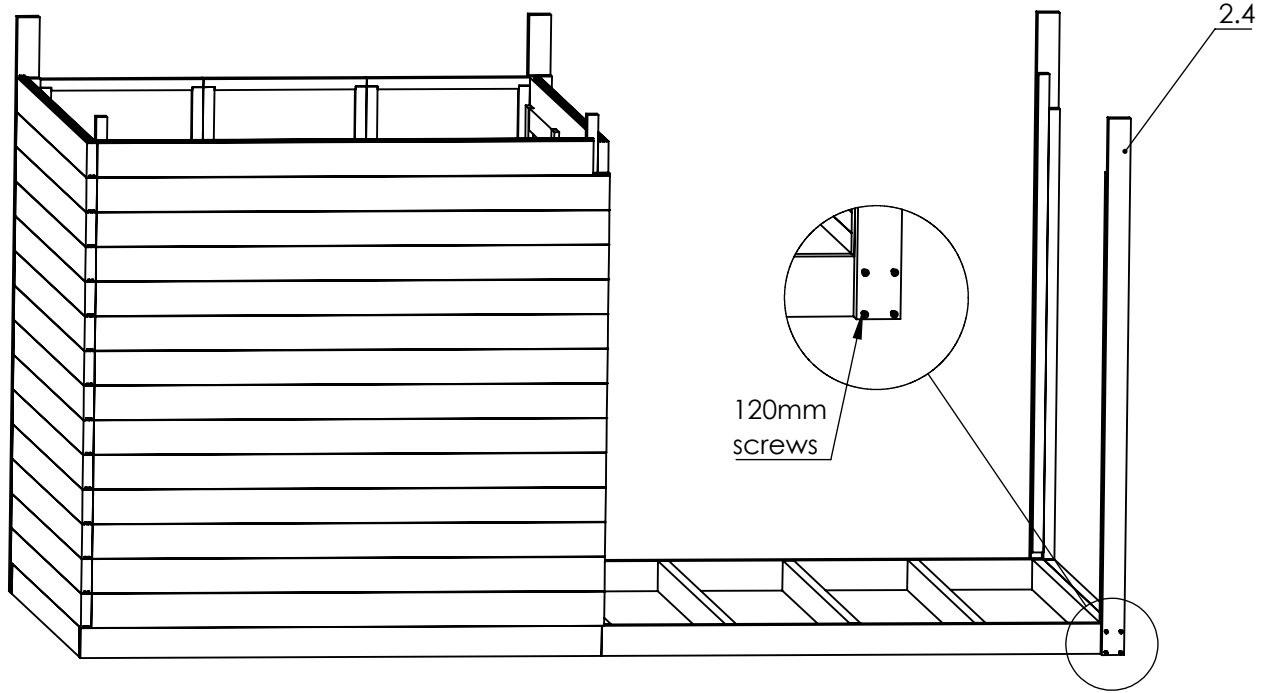
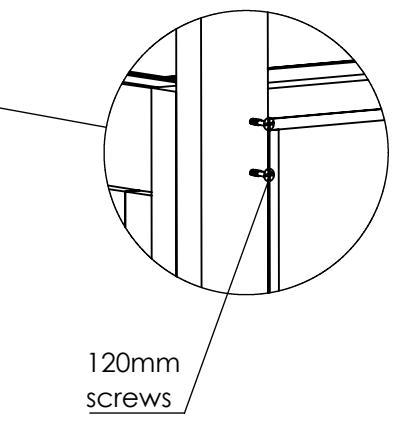
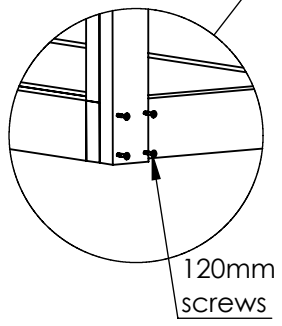
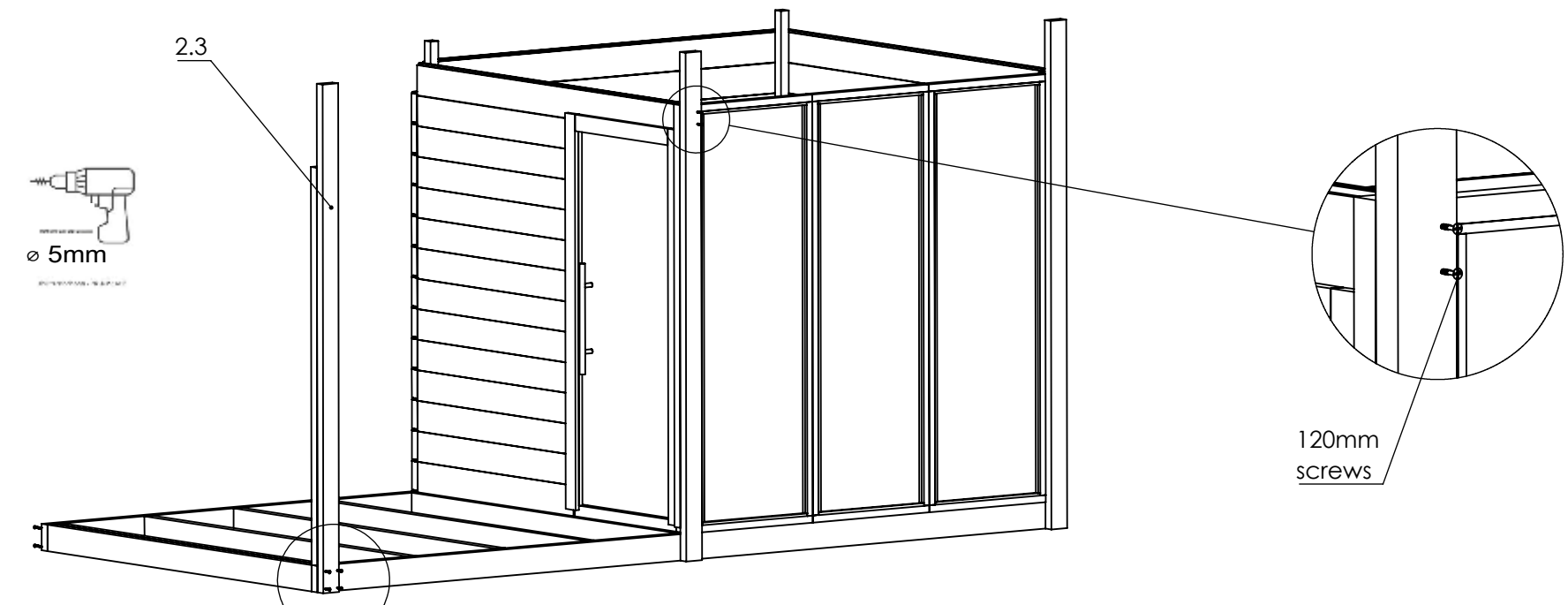
∅ 5mm
∅ 3mm



Inside view

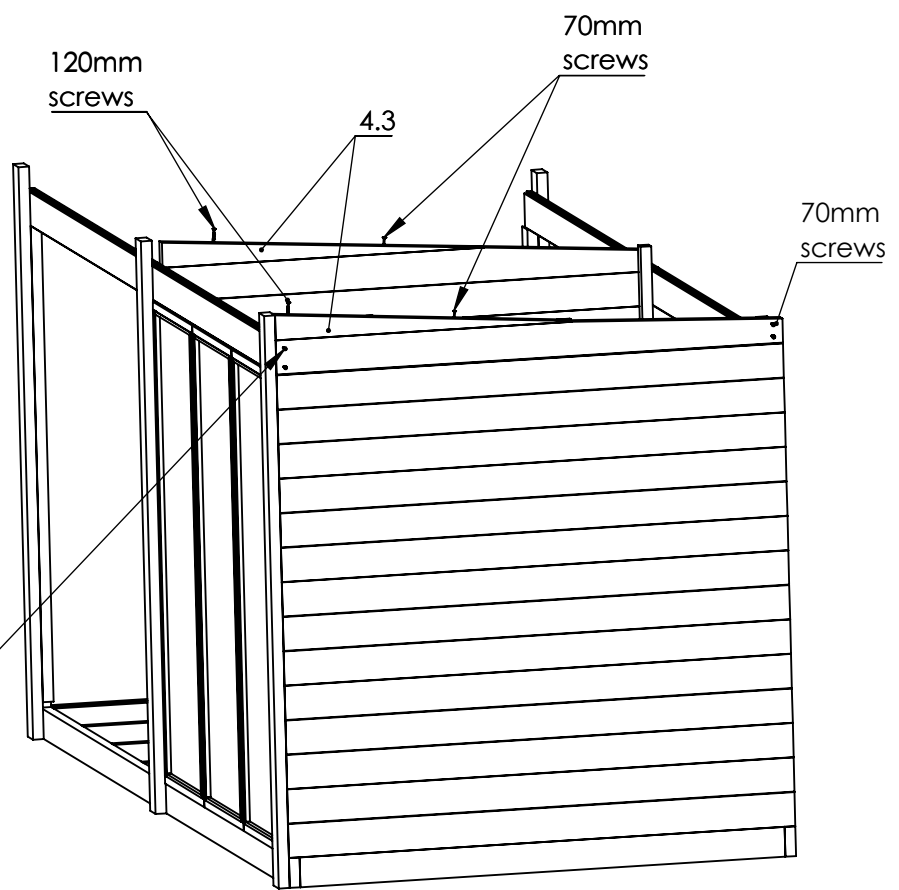
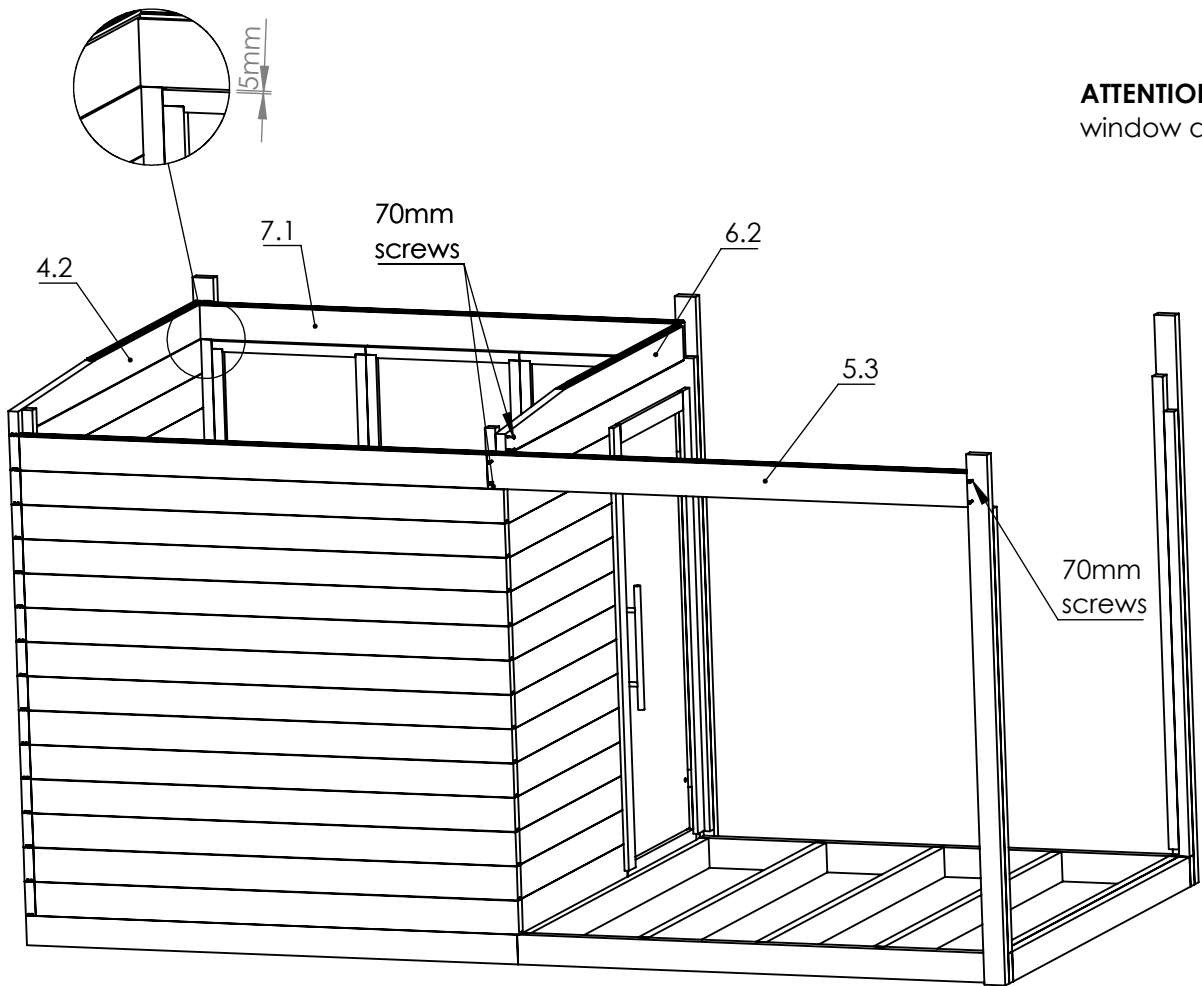


4.1	9
6.1	8
5.1	8
5.2	2
70mm screws	90
40mm screws	22



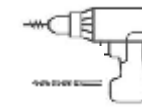
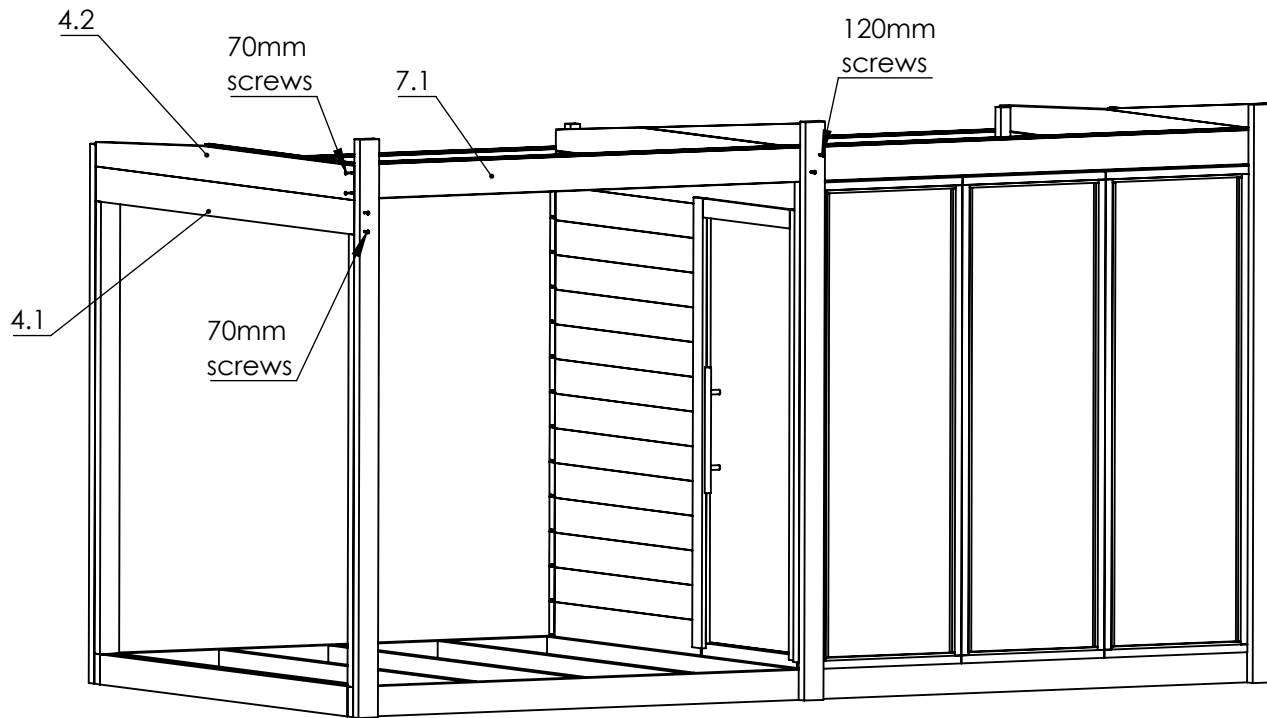
2.3	1
2.4	1
120mm screws	10

ATTENTION. There is a distance between the window and the board above it.



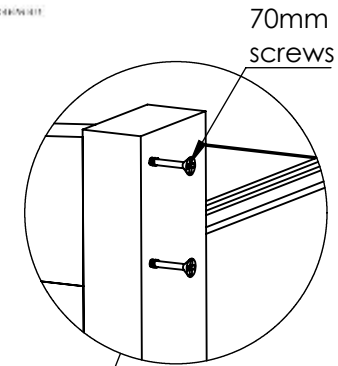
4.2	1
4.3	2
5.3	1
6.2	1
7.1	1
120mm screws	2
70mm screws	12

70mm screws

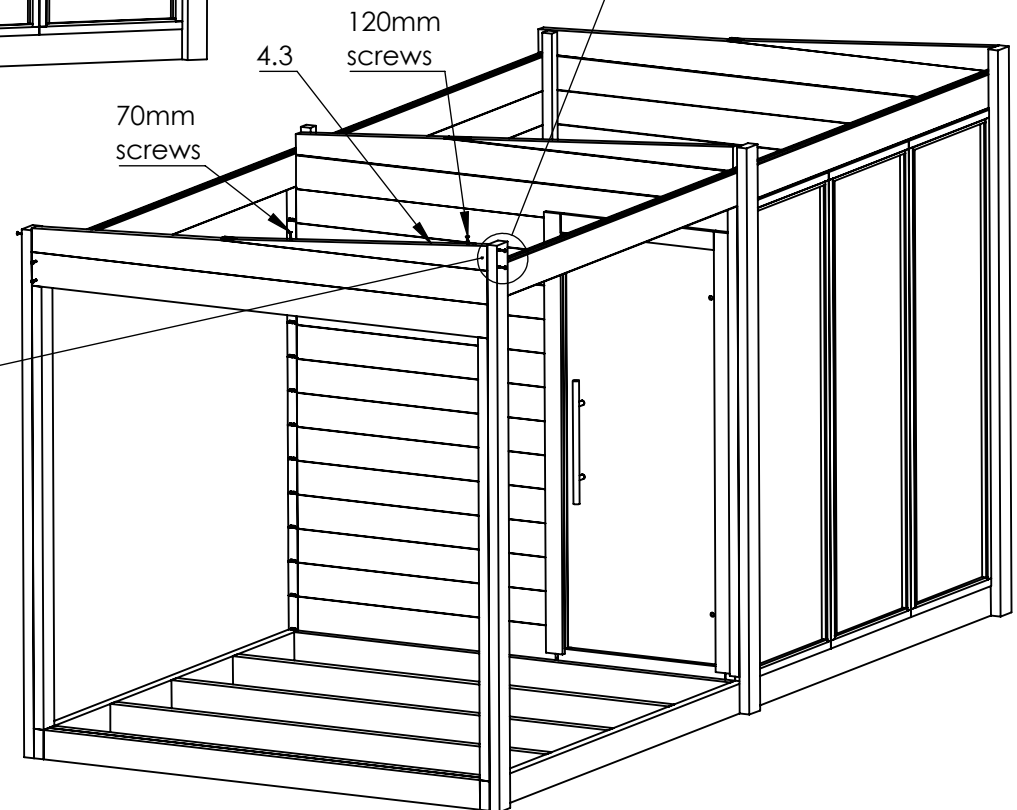
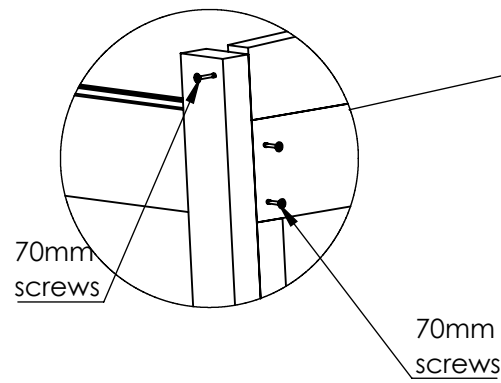


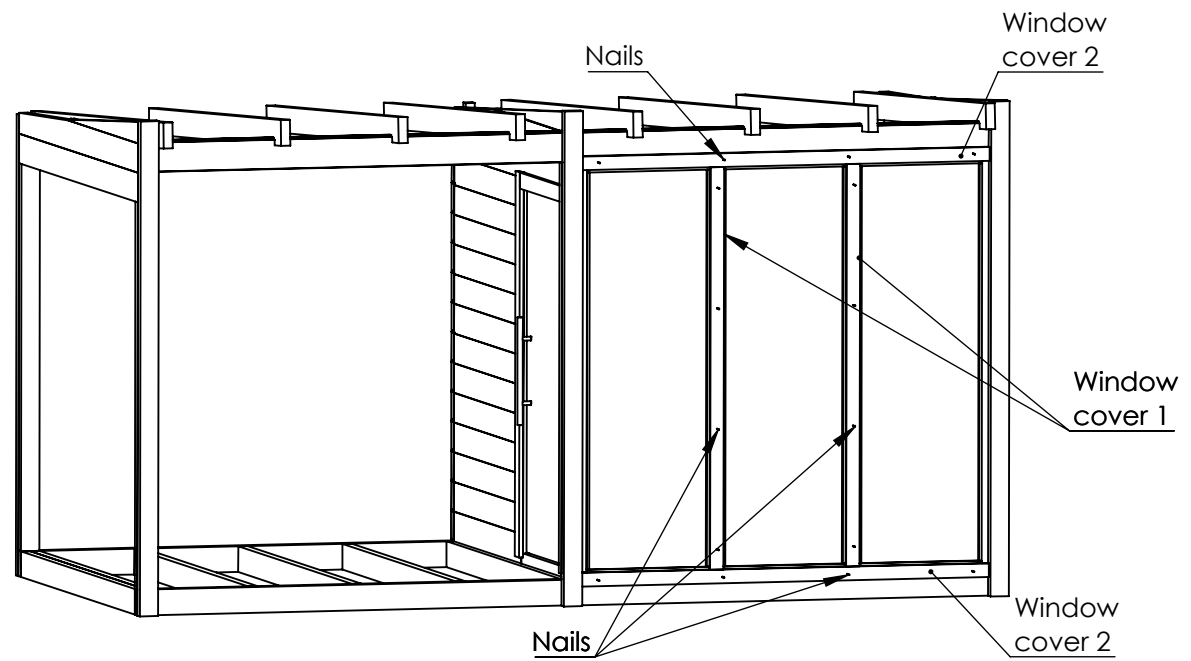
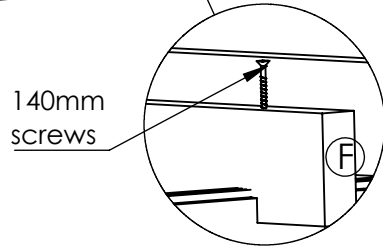
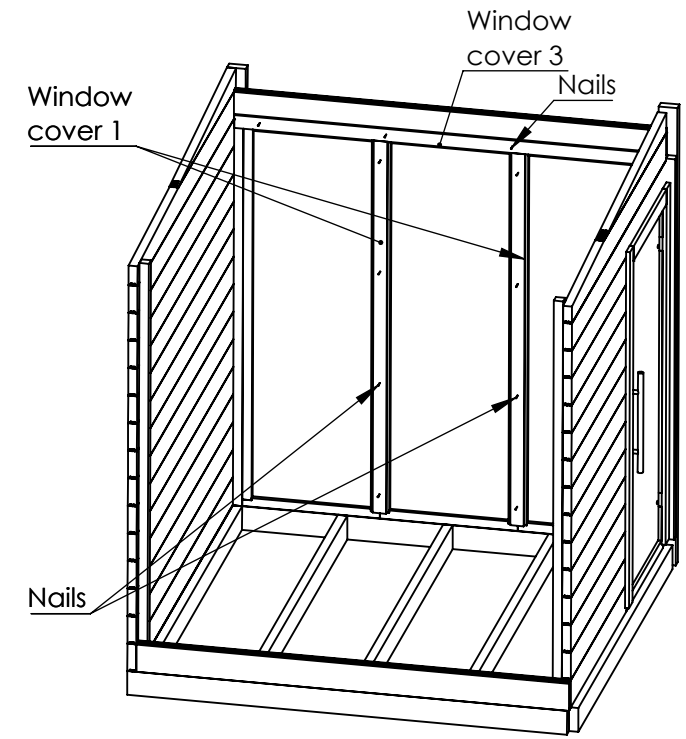
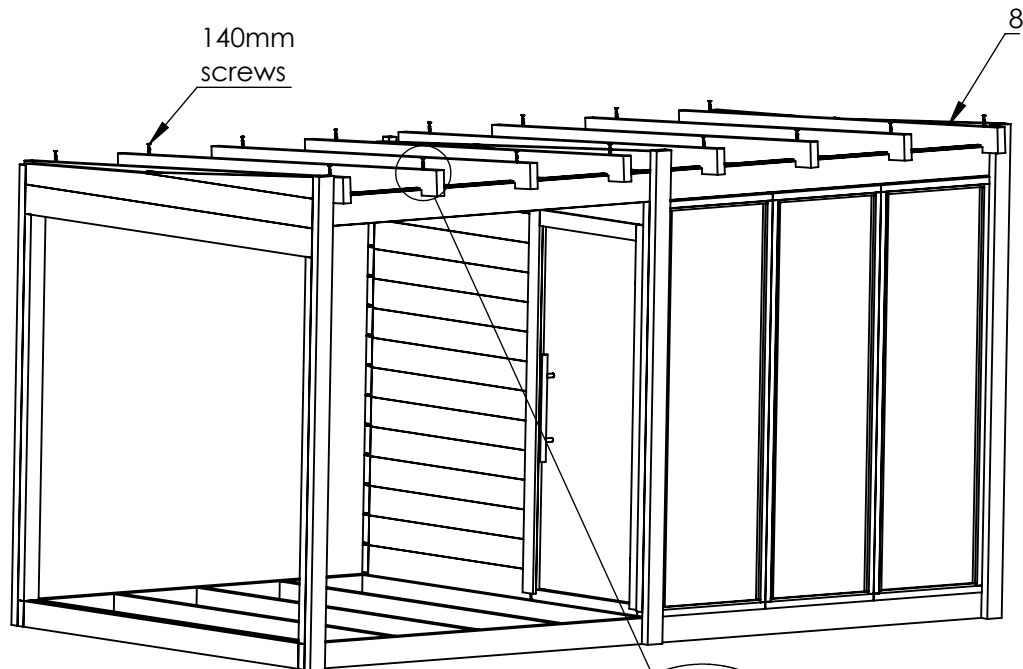
ø 5mm

4x20x100-100-1011



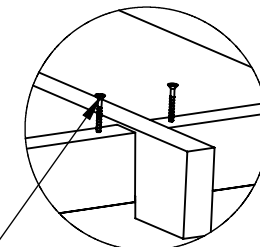
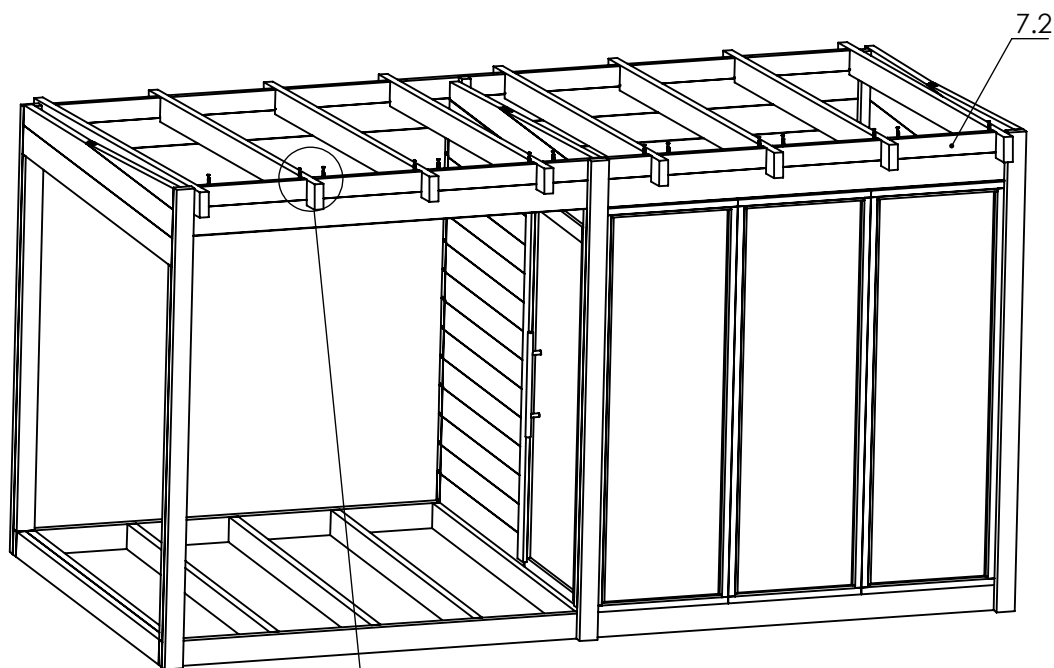
4.1	1
4.2	1
4.3	1
7.1	1
120mm screws	3
70mm screws	10



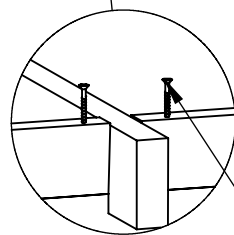


ATTENTION.
Place the beams in the correct direction.
The letter **F** must be on the front side

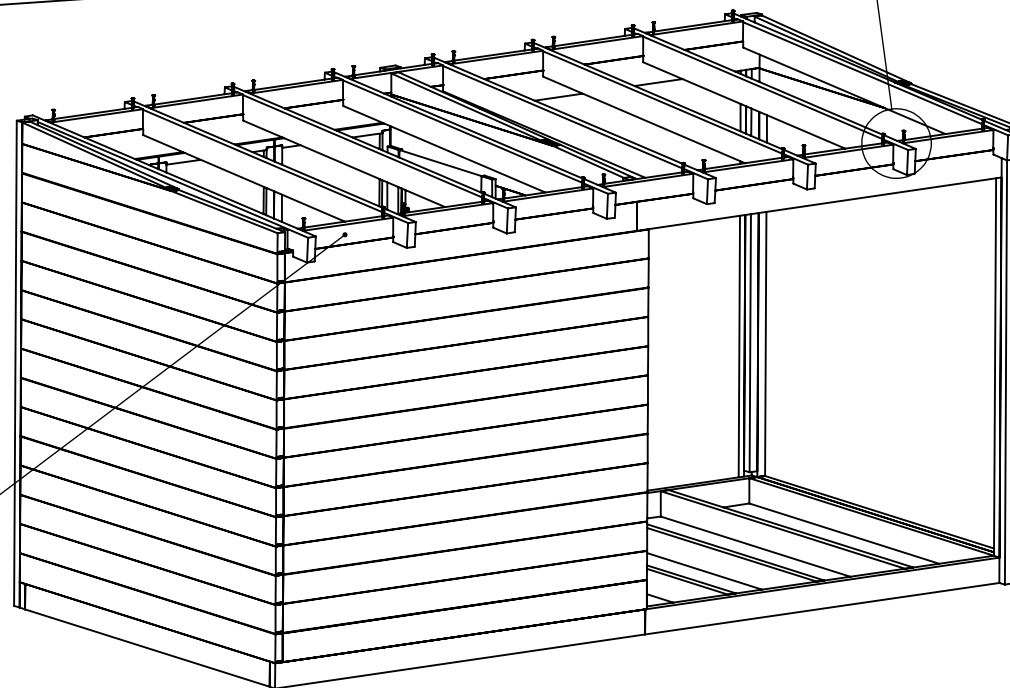
8	8
140mm screws	16
Window cover 1	4
Window cover 2	2
Window cover 3	1
50mm Nails	28



140mm
screws

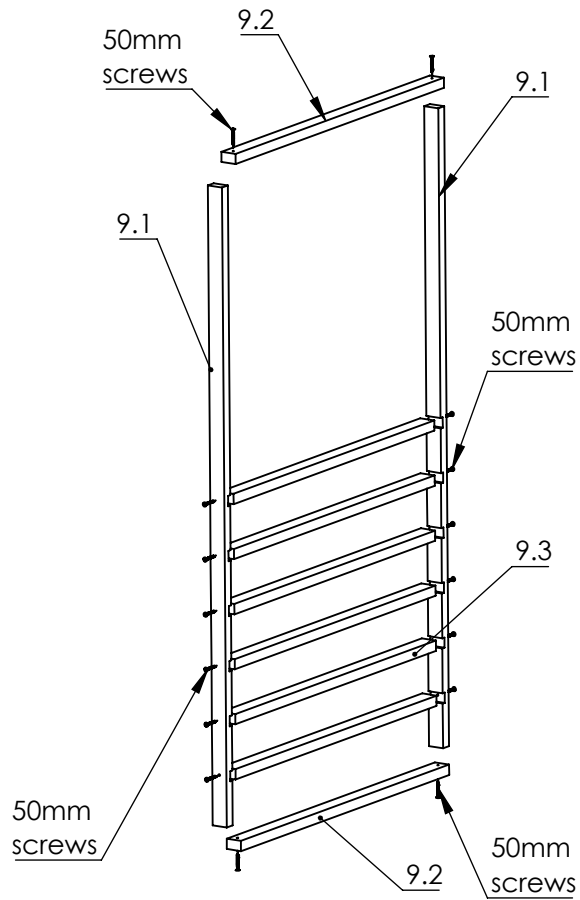


140mm
screws



7.2

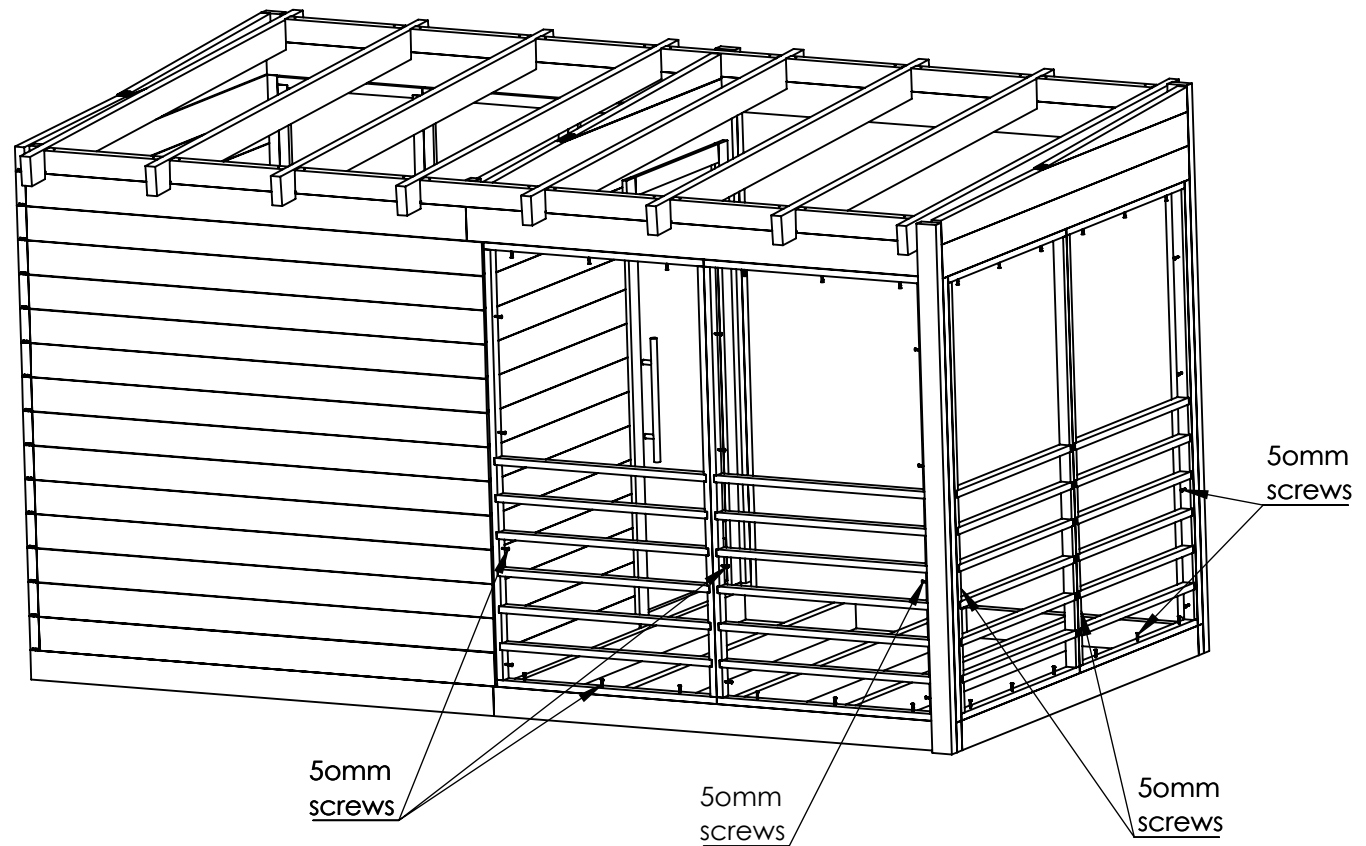
7.2	14
140mm screws	28

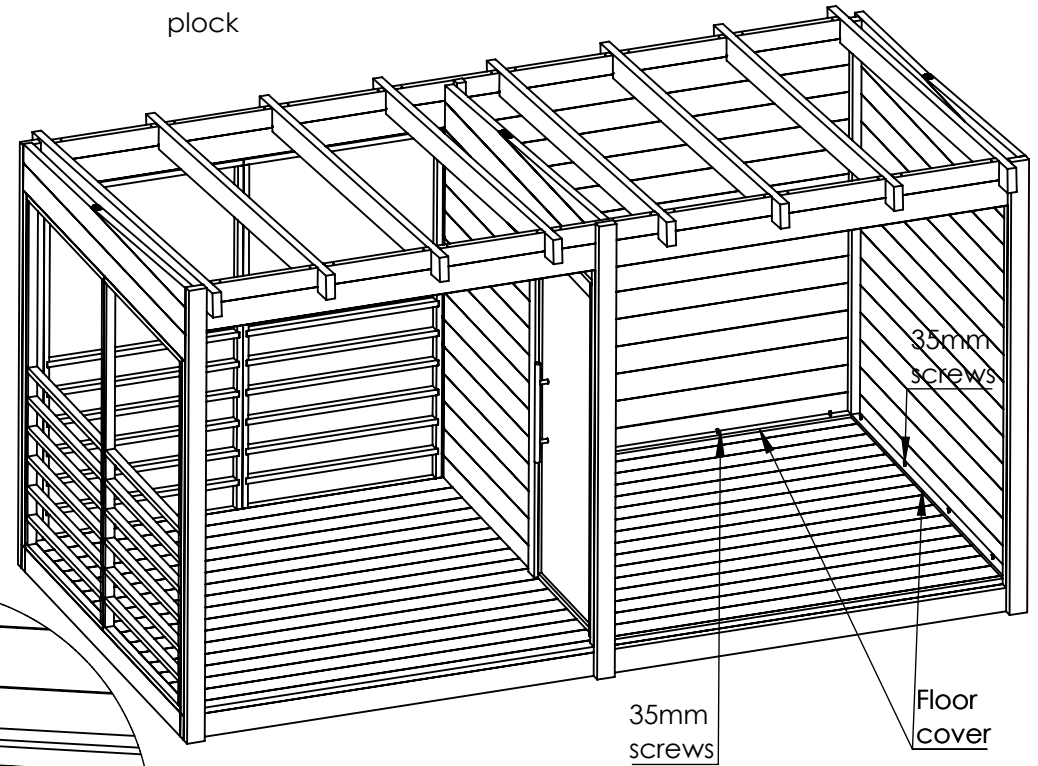
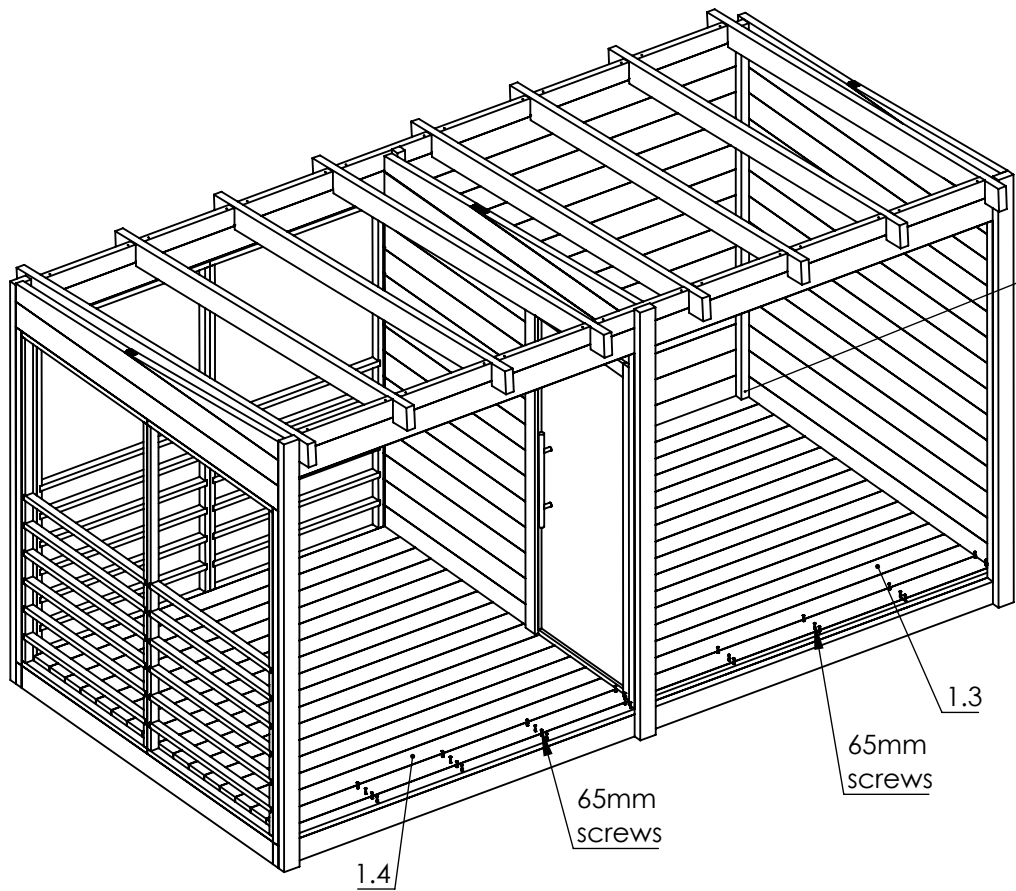
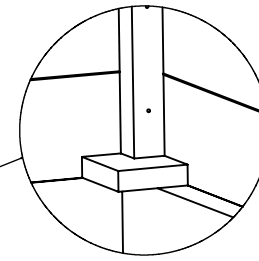


x 4

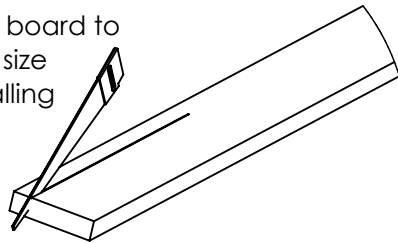
9.1	8
9.2	8
9.3	24
50mm screws	128

ATTENTION. Each one needs **18** screws.

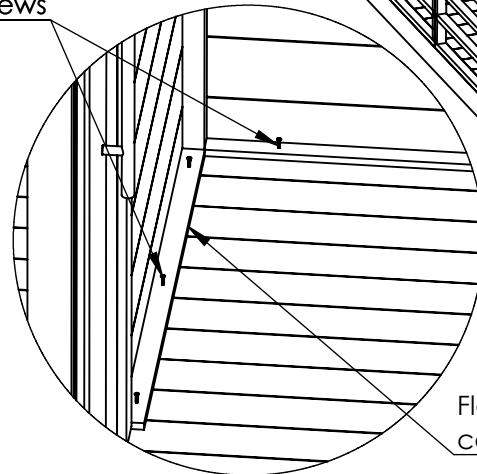




Cut the last board to the correct size before installing



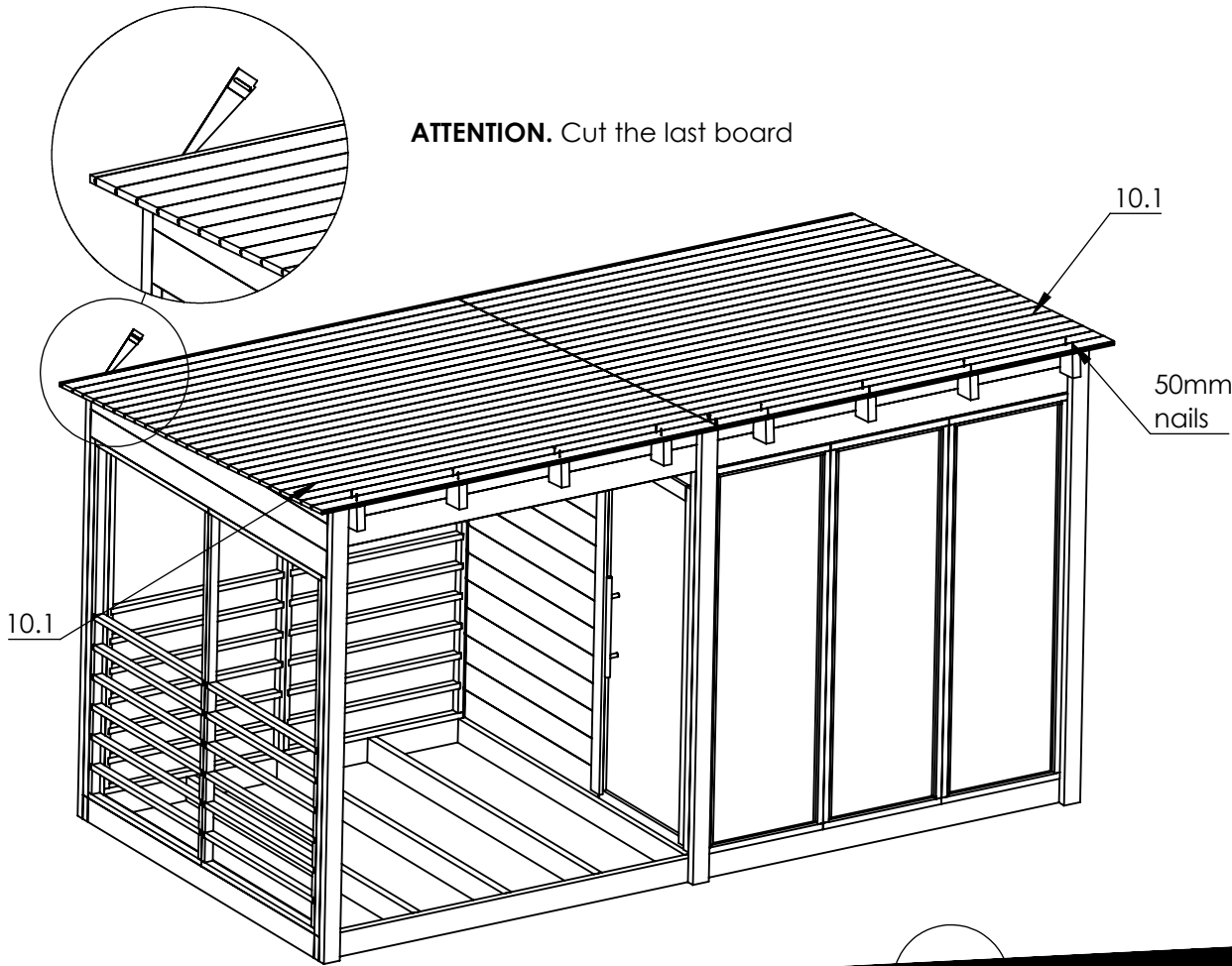
35mm screws



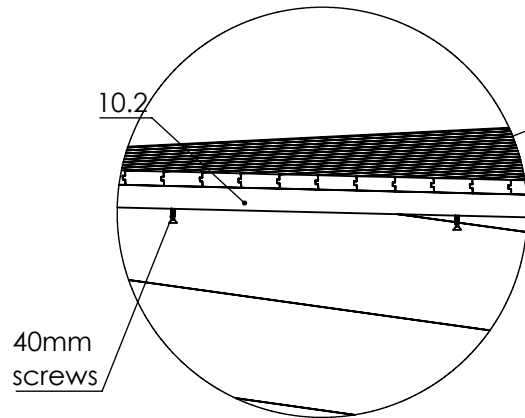
Cut the floor cover to the correct size before installing them

1.3	17
1.4	17
65mm screws	340
Floor cover	3
35mm screws	11

ATTENTION. Cut the last board

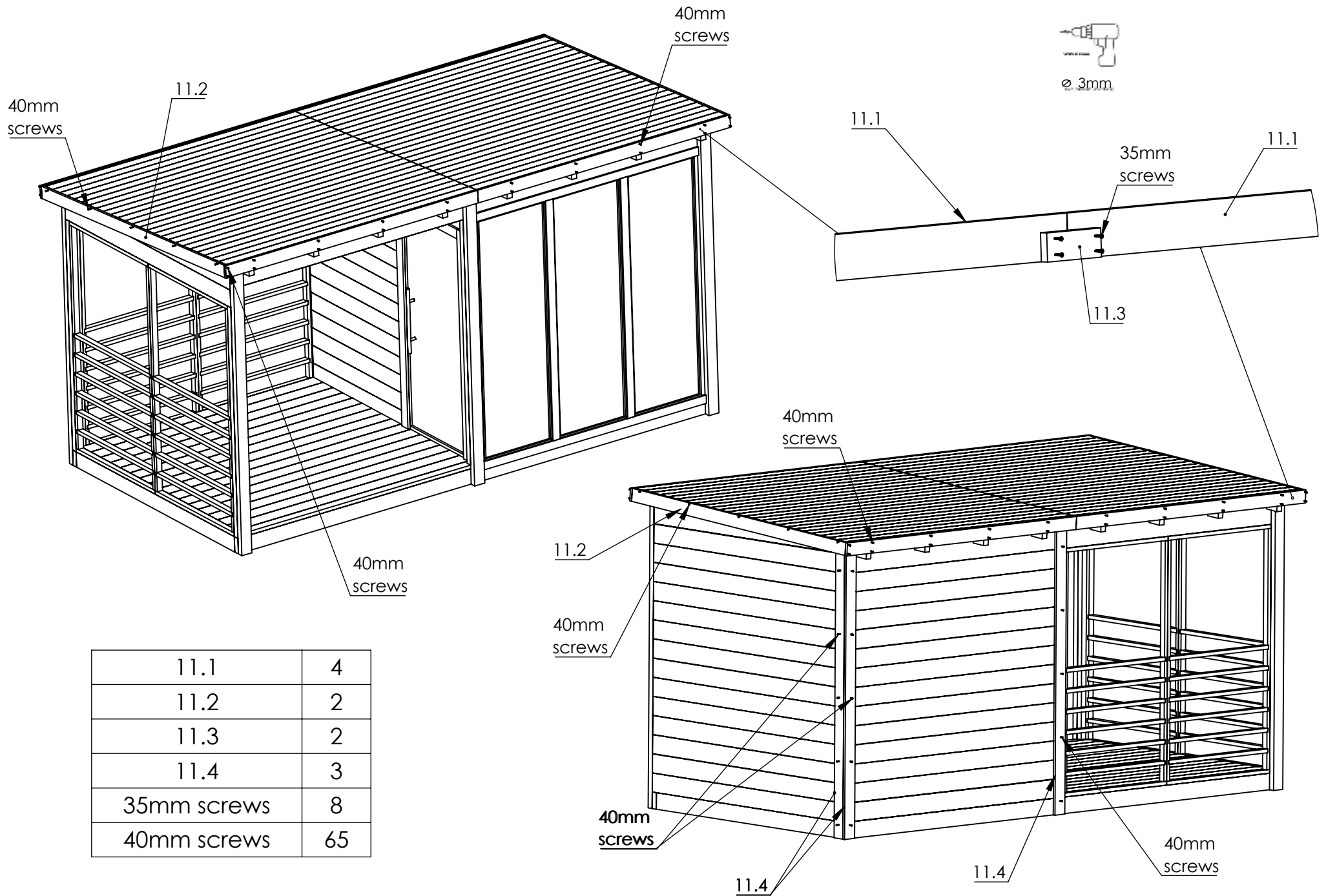


10.1	52
Nails	520
10.2	2
40mm screws	8

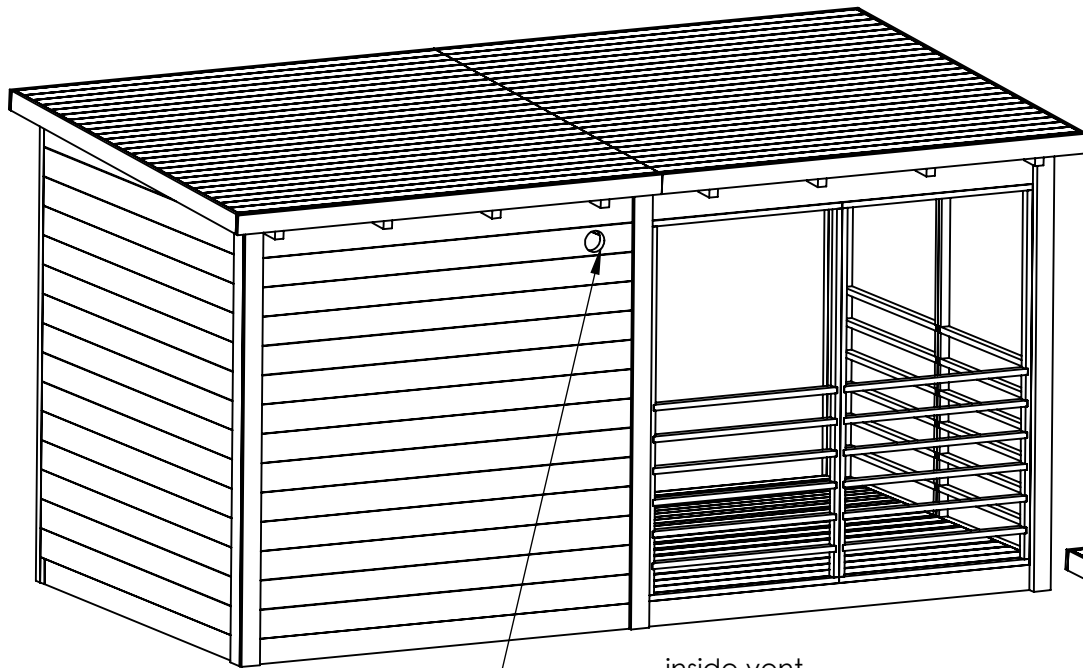


x ②

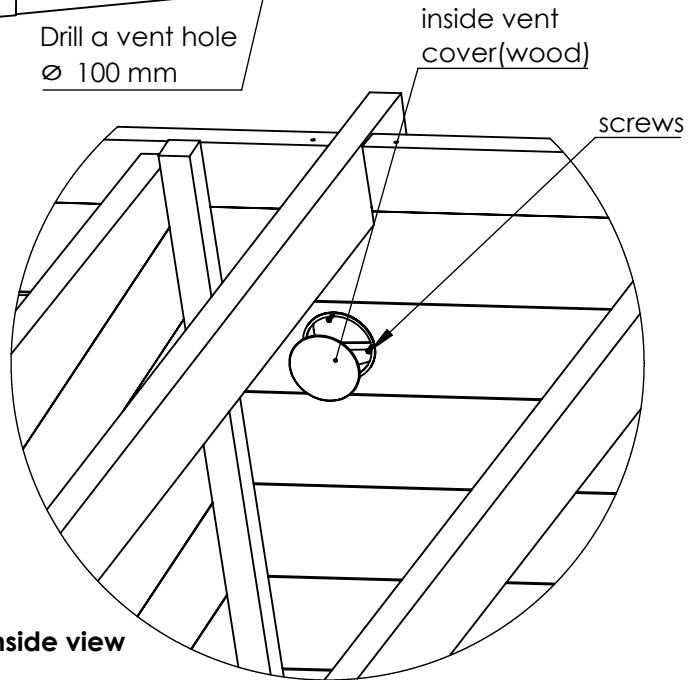




11.1	4
11.2	2
11.3	2
11.4	3
35mm screws	8
40mm screws	65



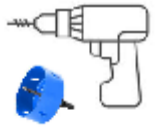
Drill a vent hole
 \varnothing 100 mm



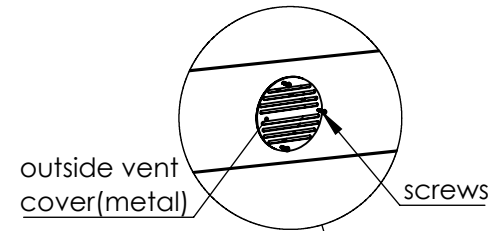
inside vent
 cover(wood)

screws

inside view

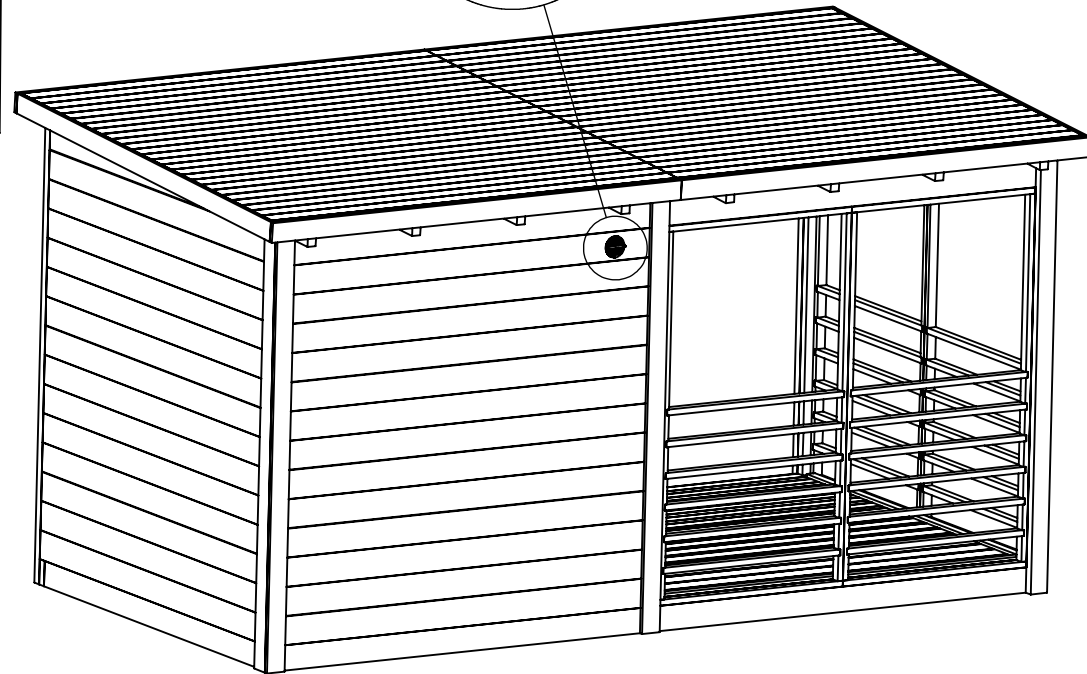


skid-holzk.com 247630075

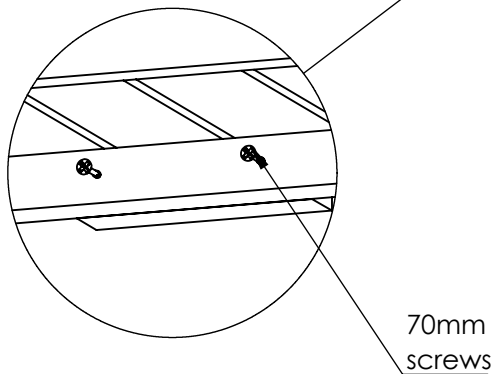
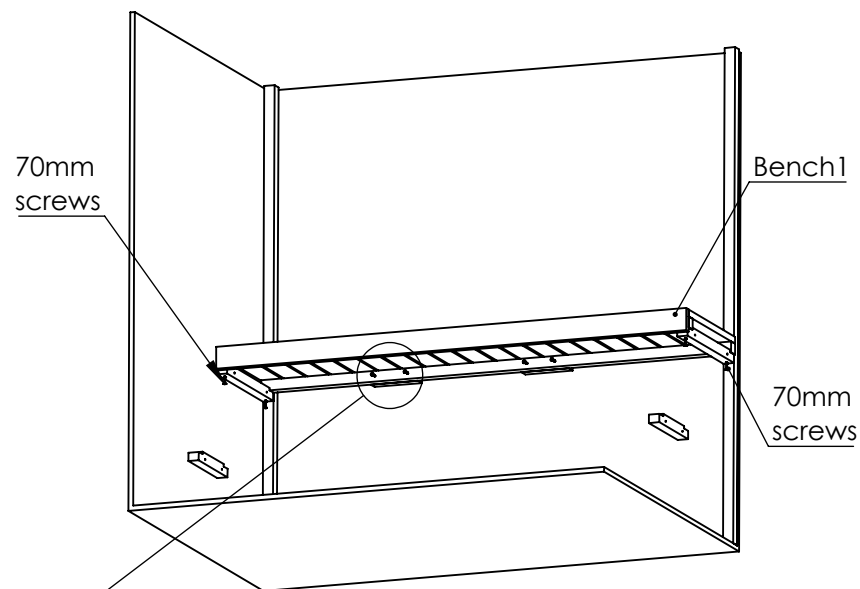
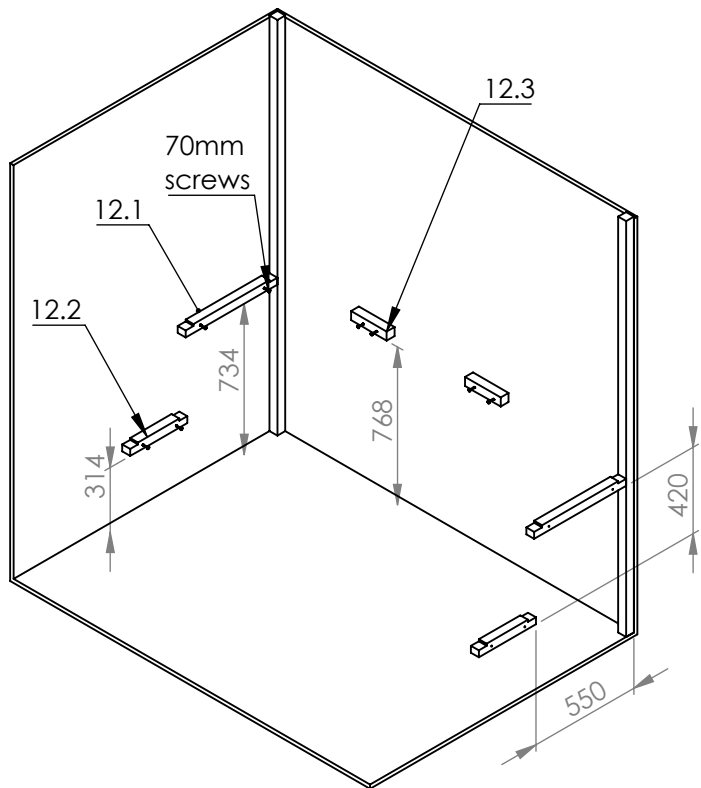
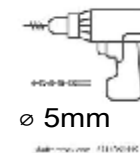


outside vent
 cover(metal)

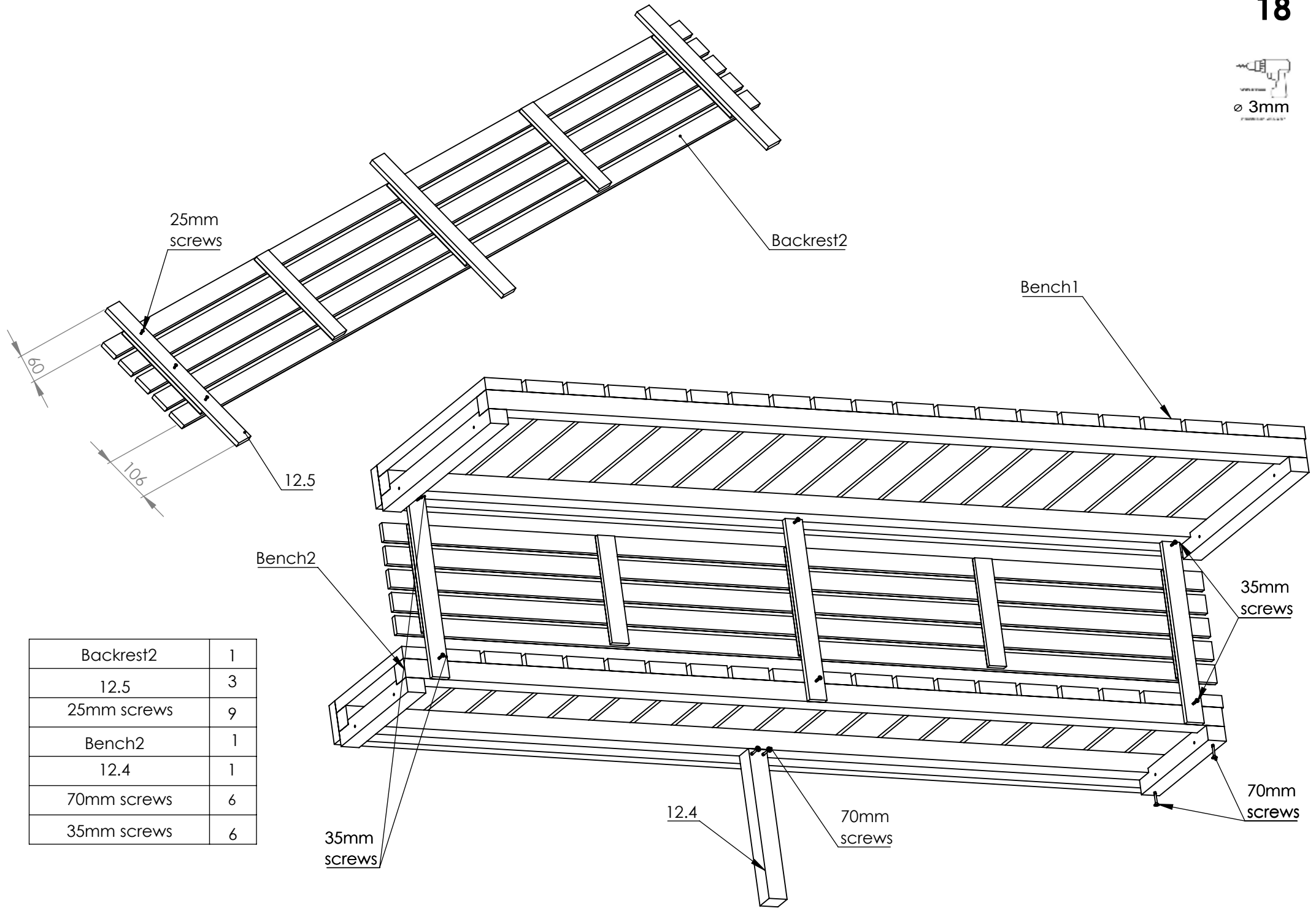
screws



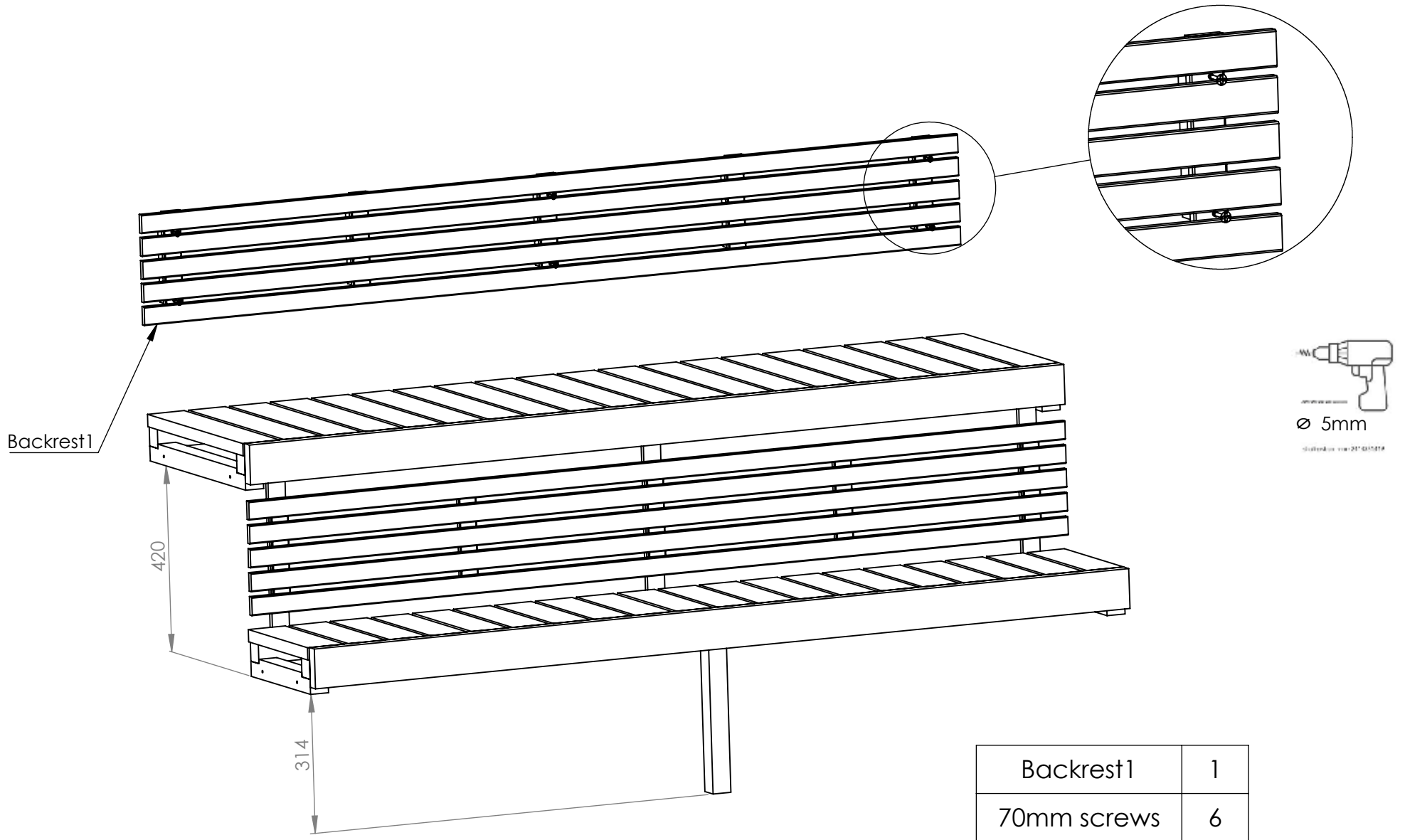
inside vent cover(wood)	1
outside vent cover(metal)	1
screws	6



12.1	2
12.2	2
12.3	2
Bench1	1
70mm screws	20



Backrest2	1
12.5	3
25mm screws	9
Bench2	1
12.4	1
70mm screws	6
35mm screws	6



Backrest1	1
70mm screws	6