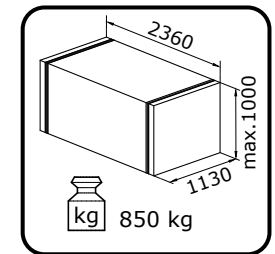
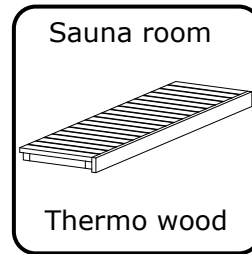
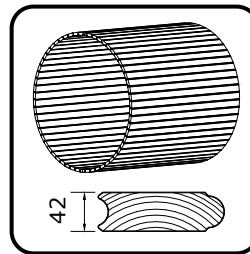
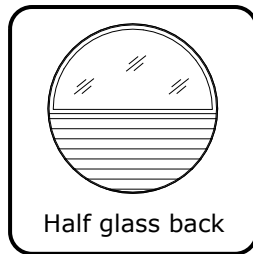
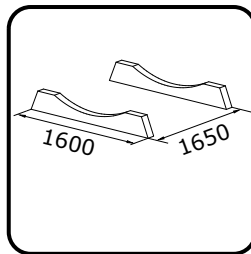
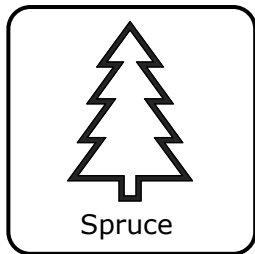
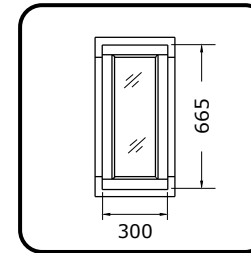
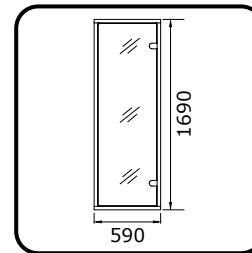
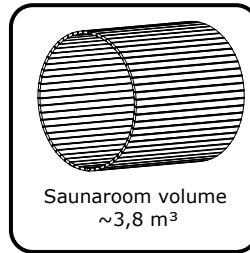
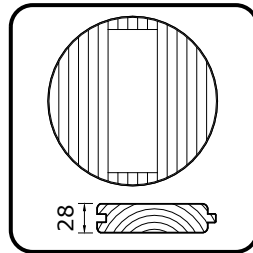
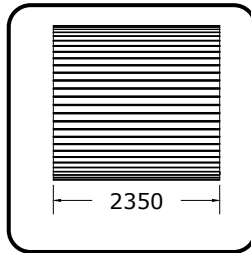
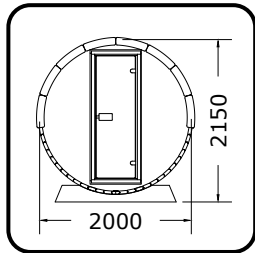
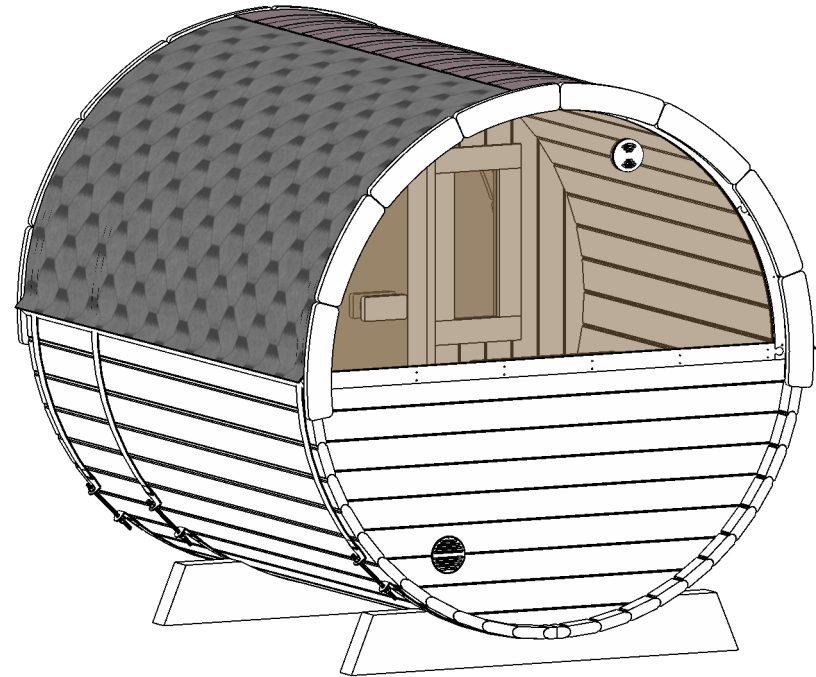
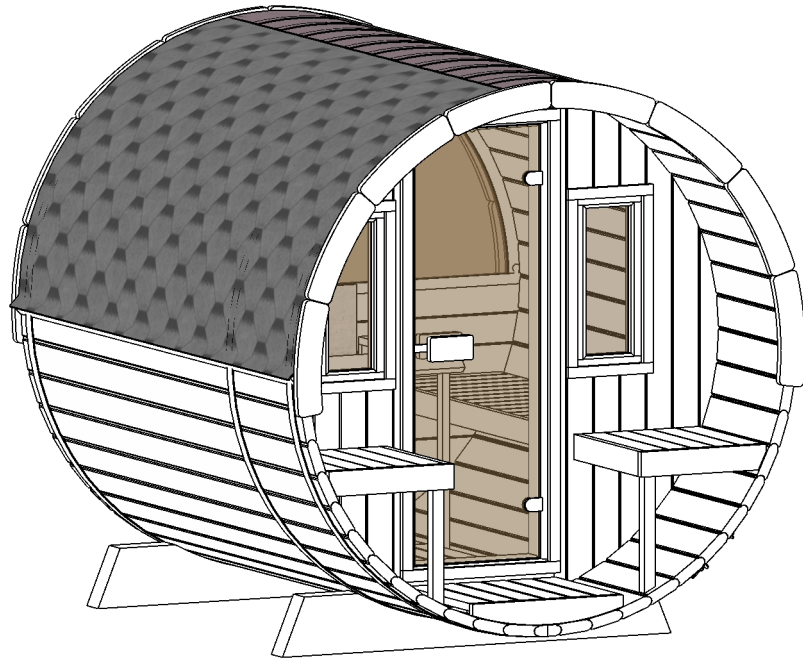


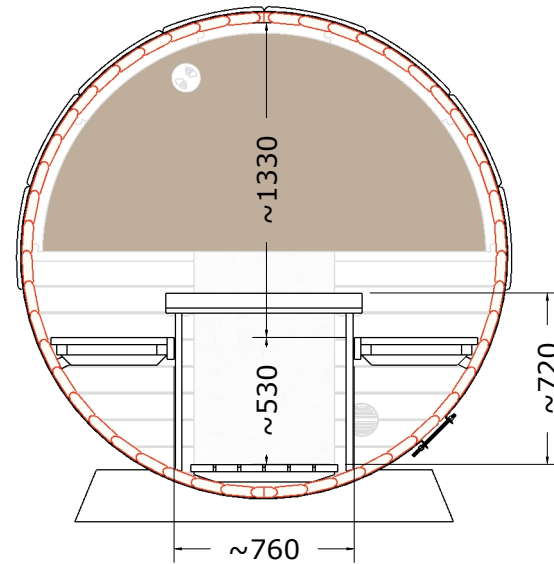
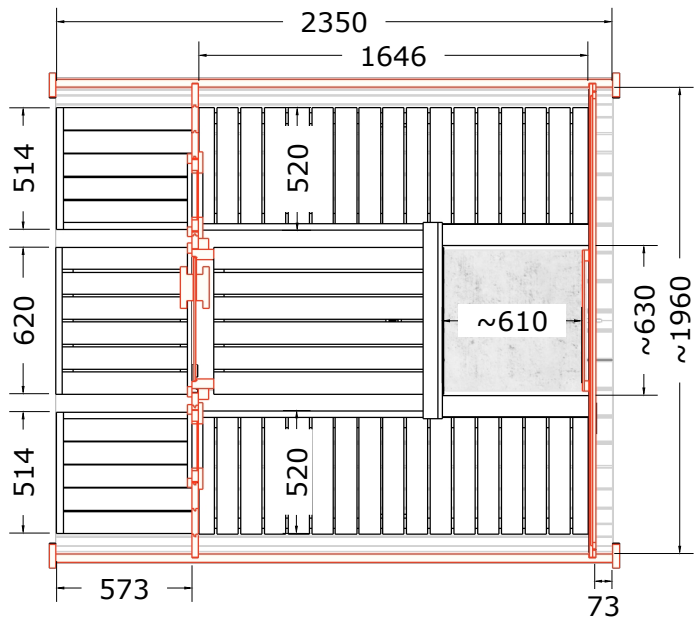
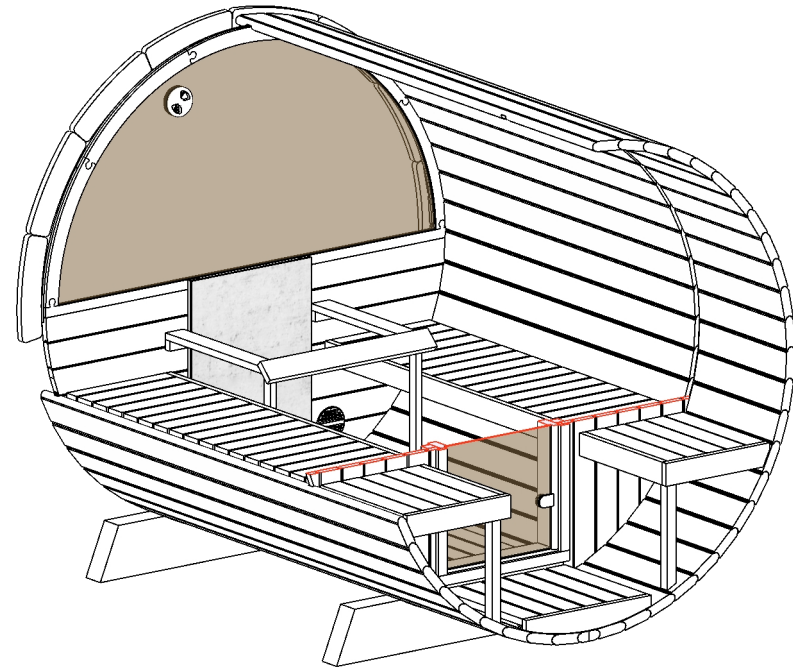
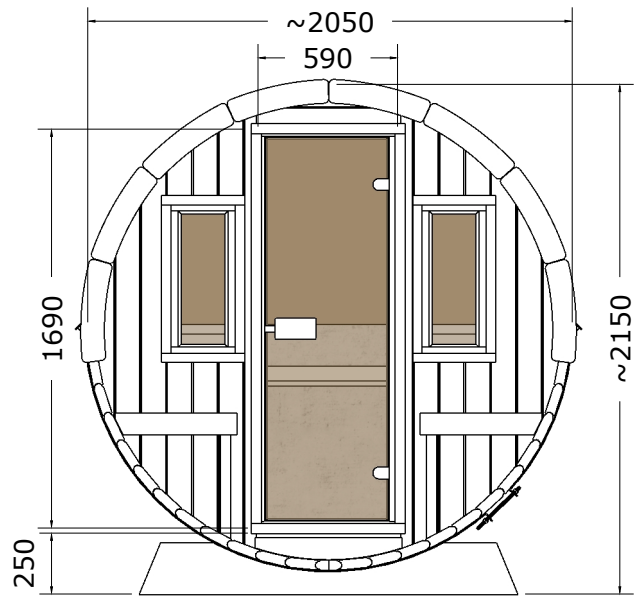
SAUNA ARVID



1.

K20/235PE-PK12T

All dimensions given are in millimeters!

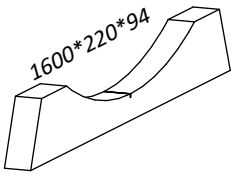
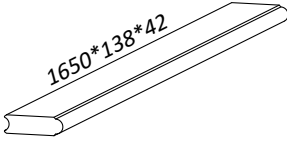
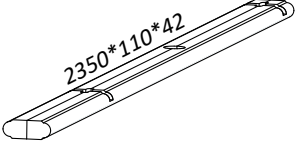
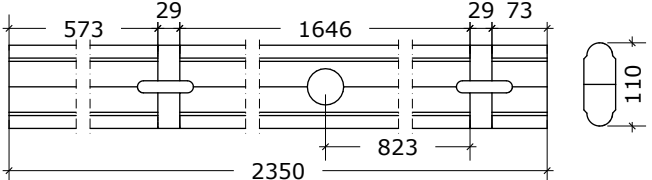
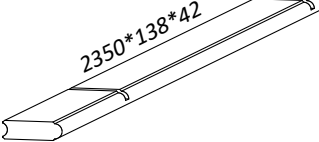
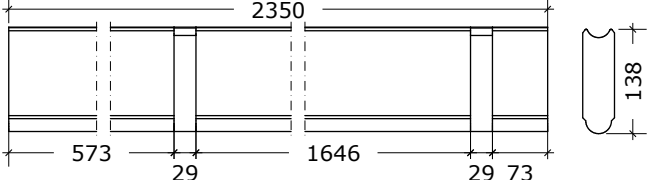
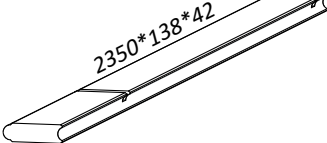
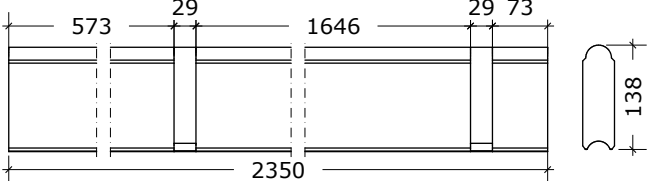
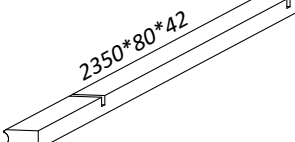
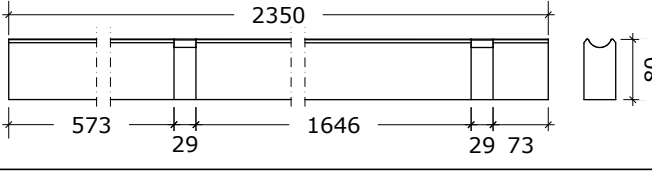
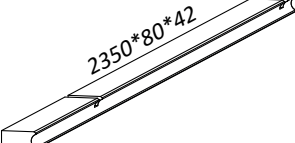
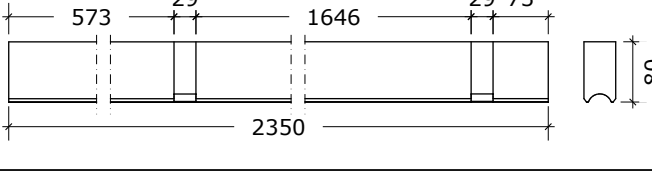
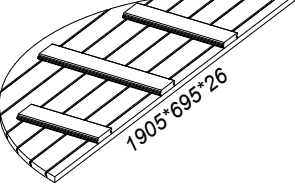
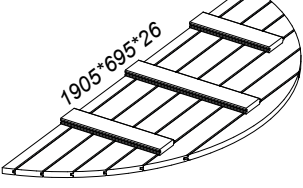


2.

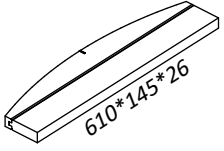
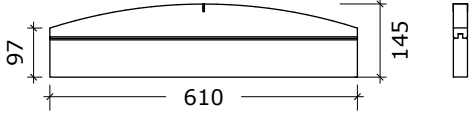
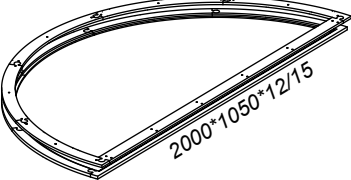
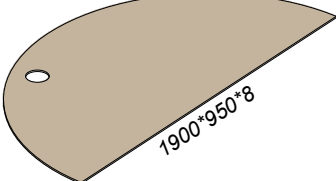
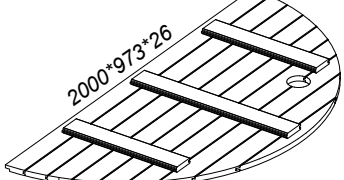
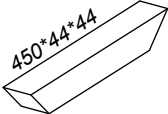
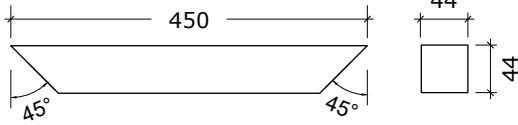
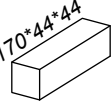
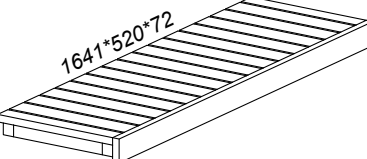
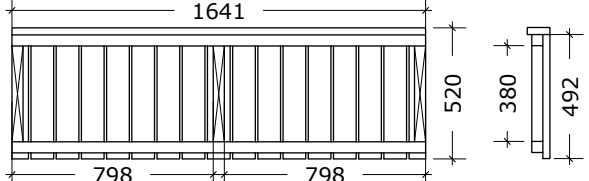
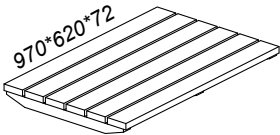
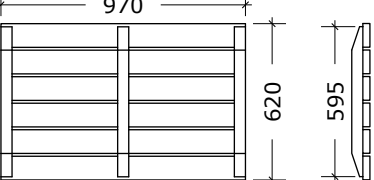
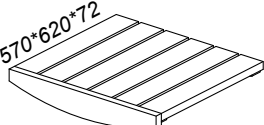
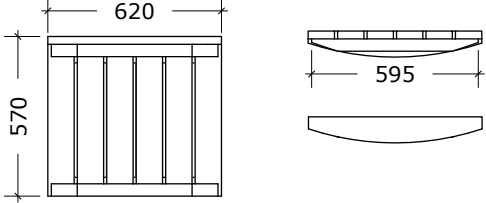
K20/235PE-PK12T

All dimensions given are in millimeters!

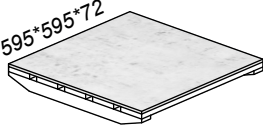
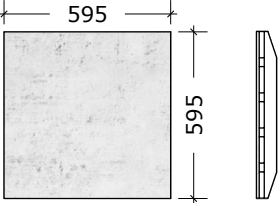
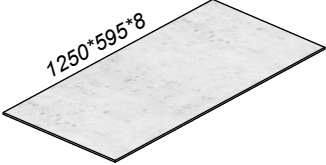
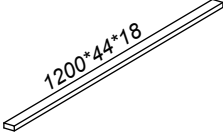
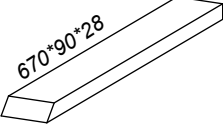
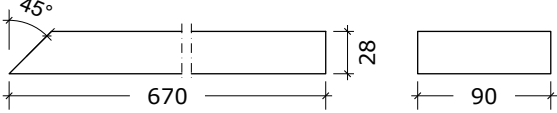
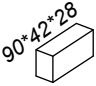
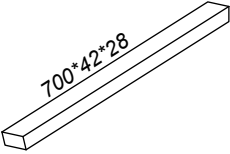
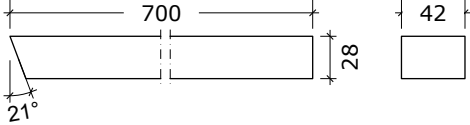
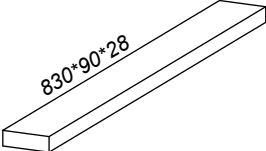
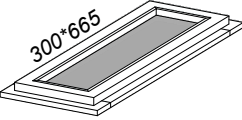
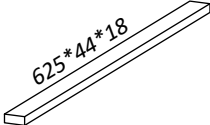
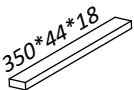
Details list 1/5

<p>DET 1</p> <p>Article. 2-KJAL-200</p>	<p>x2</p>	 <p style="text-align: center;">1600*220*94</p>	
<p>DET A</p> <p>Article. KSTL138/1650</p>	<p>x2</p>	 <p style="text-align: center;">1650*138*42</p>	
<p>DET 2</p> <p>Article. 2-KSTL110/2350</p>	<p>x1</p>	 <p style="text-align: center;">2350*110*42</p>	
<p>DET 3a</p> <p>Article. KSTL138/2350XP</p>	<p>x25</p>	 <p style="text-align: center;">2350*138*42</p>	
<p>DET 3b</p> <p>Article. KSTL138/2350XV</p>	<p>x25</p>	 <p style="text-align: center;">2350*138*42</p>	
<p>DET 6a DET.2 jääk</p> <p>Article. KSTL80/2350XLP</p>	<p>x1</p>	 <p style="text-align: center;">2350*80*42</p>	
<p>DET 6b DET.2 jääk</p> <p>Article. KSTL80/2350XLV</p>	<p>x1</p>	 <p style="text-align: center;">2350*80*42</p>	
<p>DET Sb</p> <p>Article. 2-K20PE/26V</p>	<p>x1</p>	 <p style="text-align: center;">1905*695*26</p>	
<p>DET Sa</p> <p>Article. 2-K20PE/26P</p>	<p>x1</p>	 <p style="text-align: center;">1905*695*26</p>	

Details list 2/5

<p>DET T</p> <p>Article. 2-KSL26/145/610</p>	<p>x2</p>		
<p>DET Frame (Half-moon)</p> <p>Article. 2-20PK-12/15</p>	<p>x1</p>		
<p>DET Glass (Half-moon)</p> <p>Article. 20PKV-PR8</p>	<p>x1</p>		
<p>DET Y1 (Half-moon)</p> <p>Article. 2-K20PK/26</p>	<p>x1</p>		
<p>DET 10a</p> <p>Article. KHP44/450XP</p>	<p>x4</p>		
<p>DET 10b</p> <p>Article. KHP44/170</p>	<p>x2</p>		
<p>DET 10</p> <p>Article. 2-TLA520/1641</p>	<p>x2</p>		
<p>DET 14a</p> <p>Article. 2-KPO620/970</p>	<p>x1</p>		
<p>DET 14b</p> <p>Article. 2-KPO620/570</p>	<p>x1</p>		

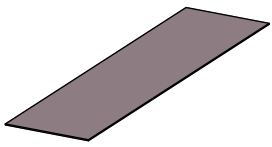
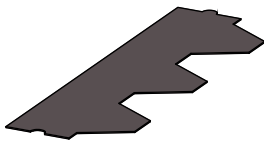
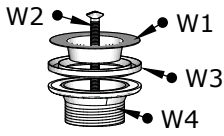
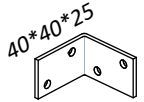
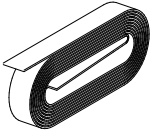
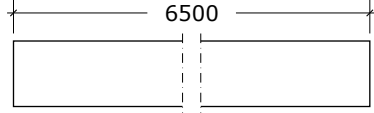

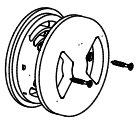

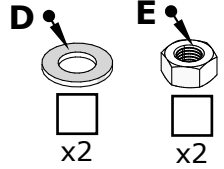
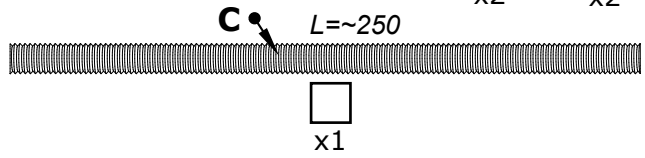
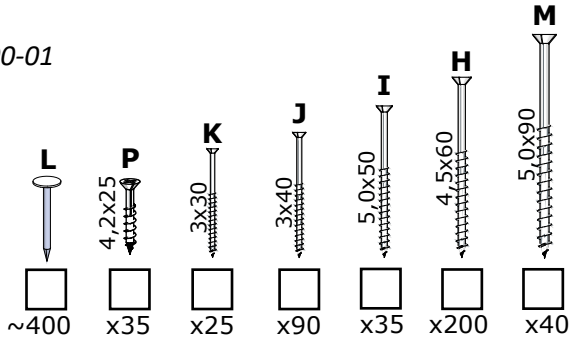
Details list 3/5

<p>DET 12a</p> <p>Article. 2-MI595/595</p>	<p>x1</p>		
<p>DET 12b</p> <p>Article. MIN1250/595-HAL</p>	<p>x1</p>		
<p>DET 12c</p> <p>Article. KHL44/1200</p>	<p>x2</p>		
<p>DET 15a</p> <p>Article. TLAV90/670XP</p>	<p>x2</p>		
<p>DET 15b</p> <p>Article. TLAV42/90</p>	<p>x2</p>		
<p>DET 15c</p> <p>Article. TLAV42/700XP</p>	<p>x2</p>		
<p>DET 15d</p> <p>Article. TLAV90/830</p>	<p>x1</p>		
<p>DET 9</p> <p>Article. W01K300/665/28PR</p>	<p>x2</p>		
<p>DET 9a</p> <p>Article. KHL44/625</p>	<p>x4</p>		
<p>DET 9b</p> <p>Article. KHL44/350</p>	<p>x4</p>		

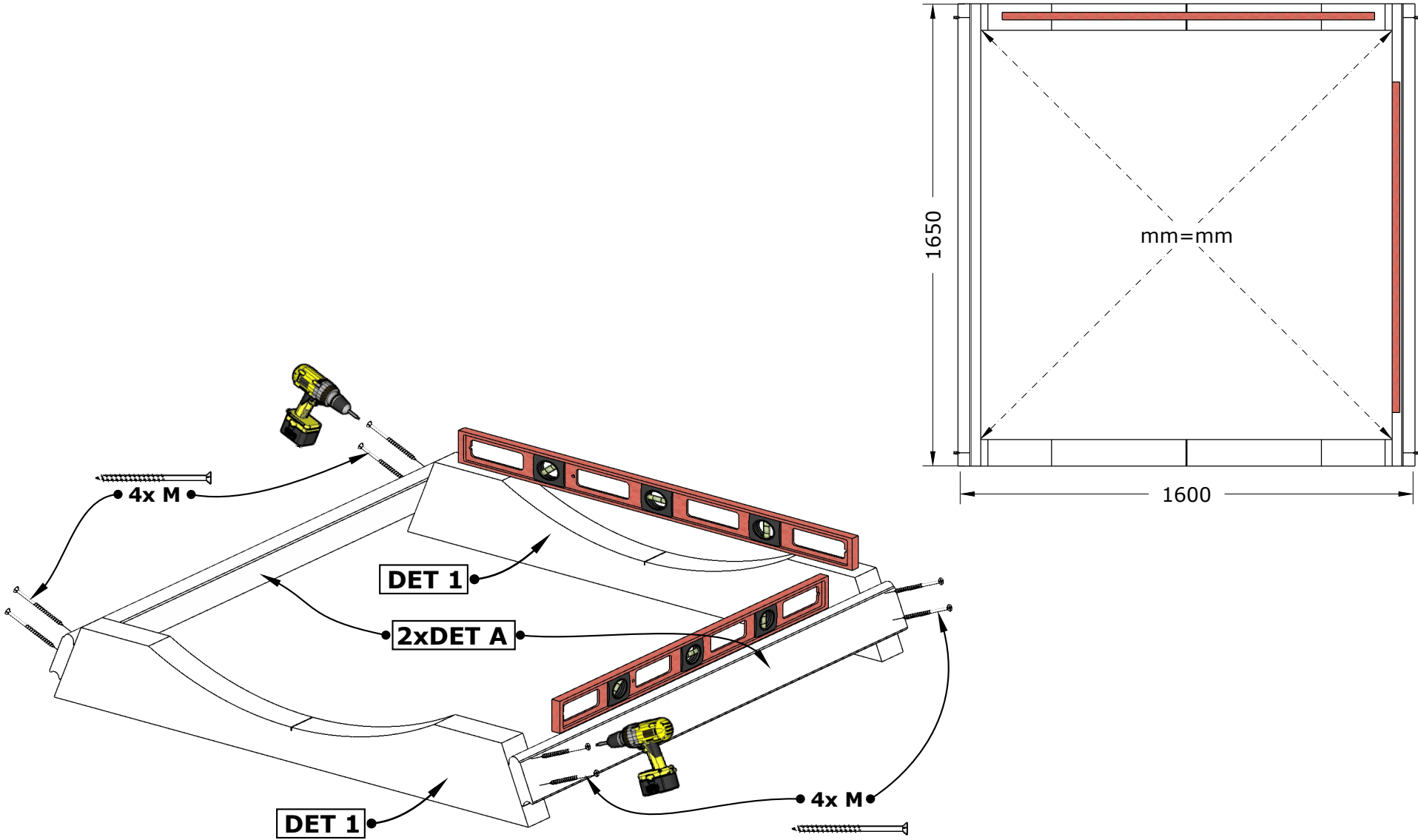
Details list 4/5

DET 21 Article. D590/1690PR8	x1		
DET 21a Article. KHL44/1660	x2		
DET 21b Article. KHL44/650	x2		
DET 21c Article. KHP44/1690	x2		
DET 21d Article. KHP44/680	x2		
DET 24a Article. 2-KTE514/570P-01	x1		
DET 24b Article. 2-KTE514/570V-01	x1		
DET 10c Article. KHL44/460XP	x2		
DET 22 Article. KSTL50/2350X	x2		
DET 25 Article. OL-20/437	x16		

Details list 5/5

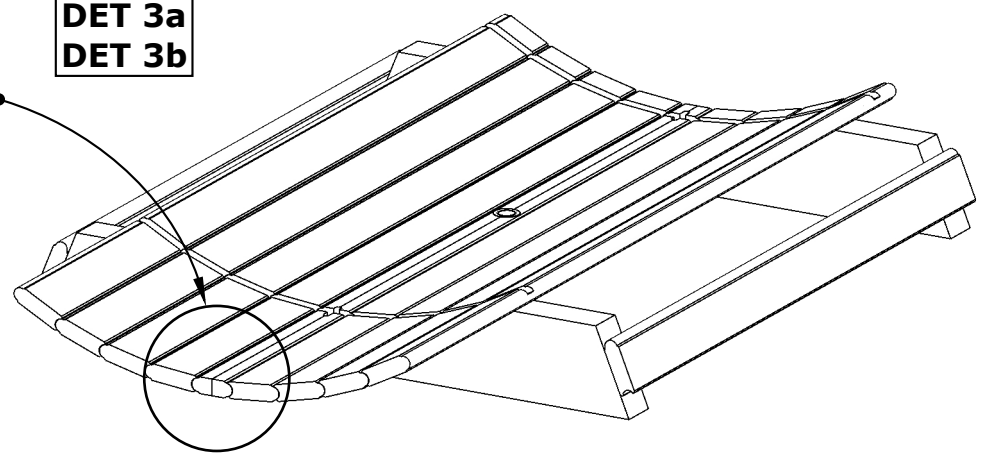
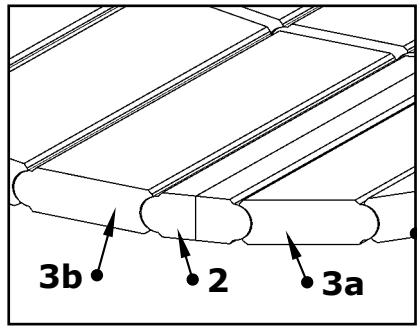
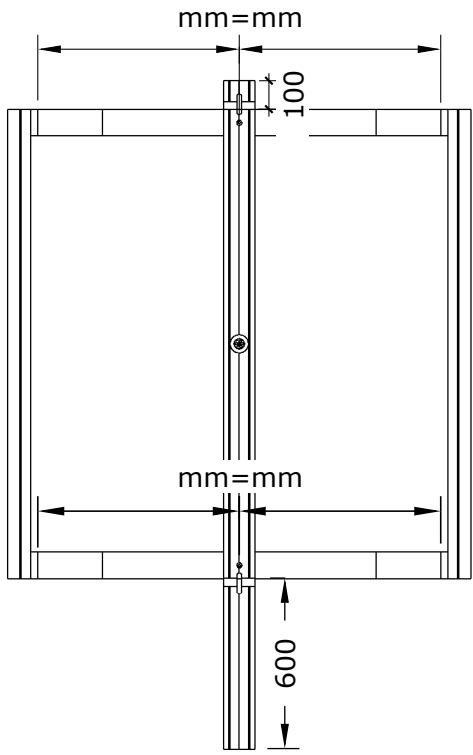
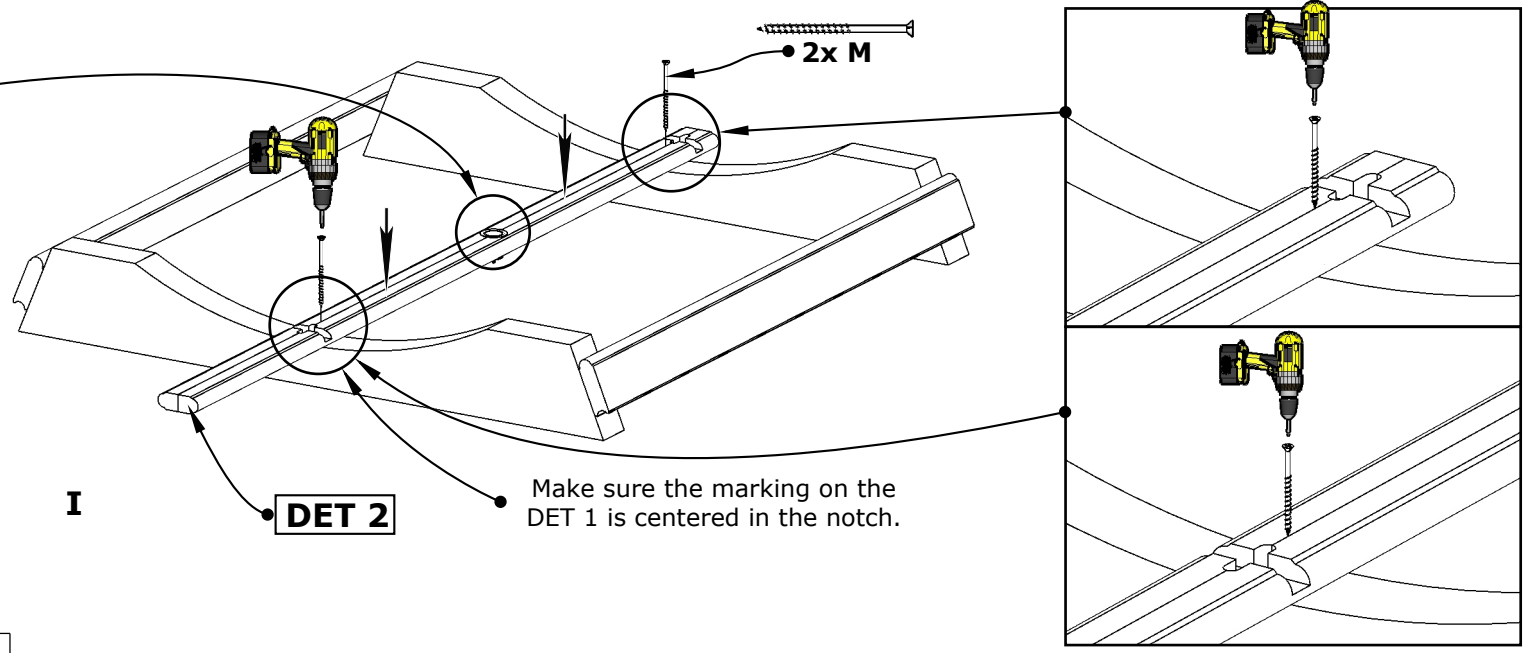
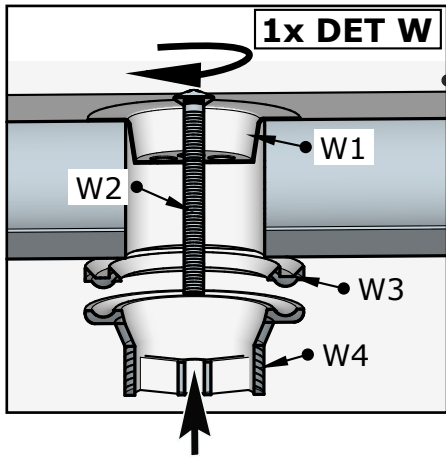
DET N	x9		
Article. KAT-HAR			
DET O	x63		
Article. KAT-SIN			
DET W	x1 kmp1		
Article. TRAPP			
DET V	x4		
Article. KI-VIN-25/40/40-ZN			
DET B	x3		
Article. VITS/6500			
DET B1	x6		
Article. VITSKL-RV			
DET Z	x1		
Article. MU-VENT-VIN			
DET F	x2		
Article. MU-VENT-ZN			
Article. KI-KERL-12-RV1	x3		Article. KI-200-300-01
			

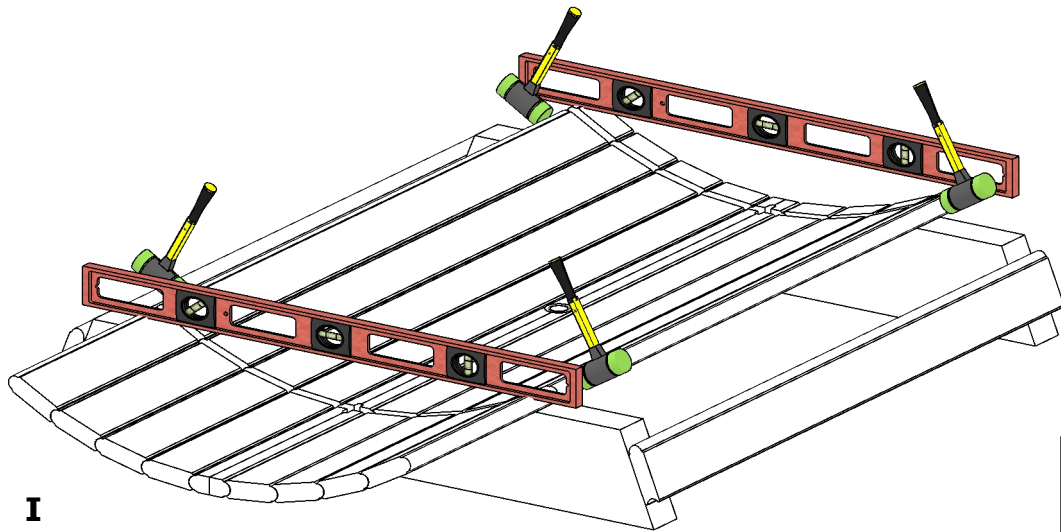
Sauna 235,Ø200



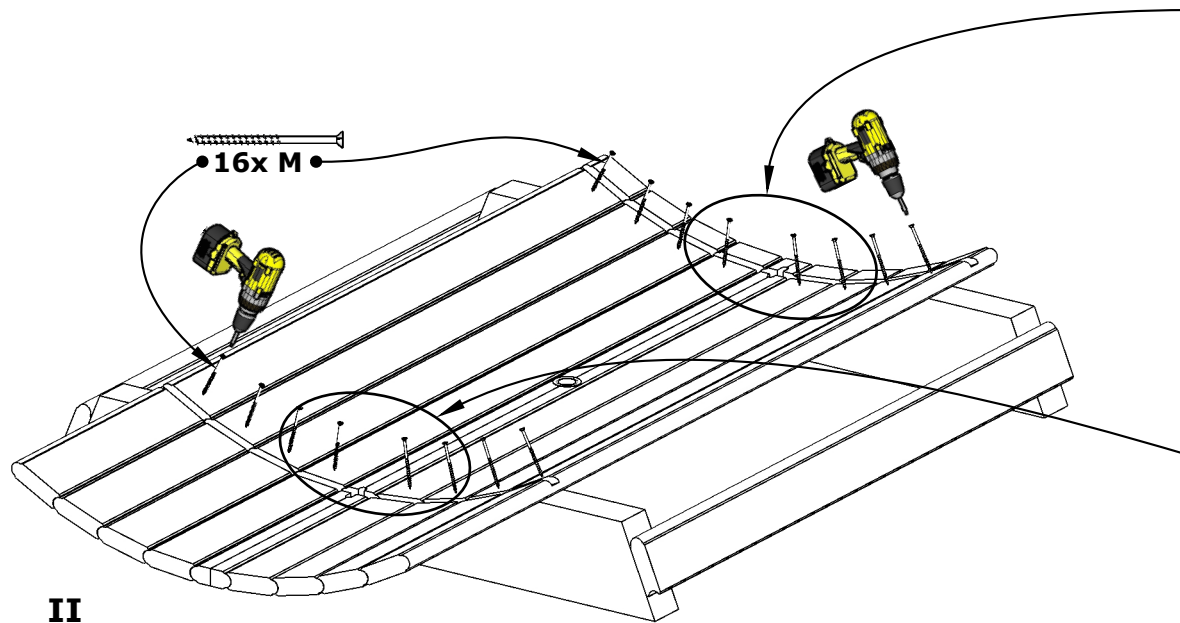
1.

K20/235PE-PK12T

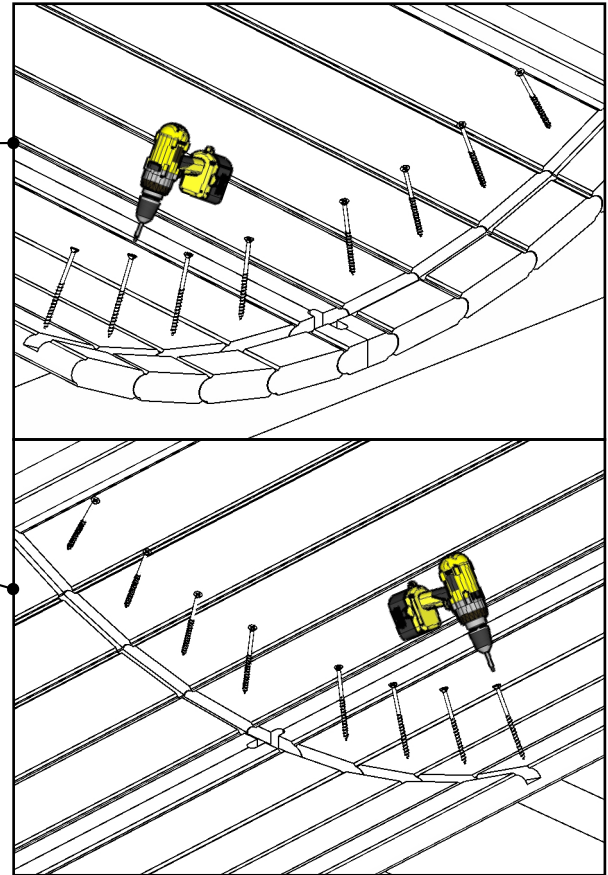




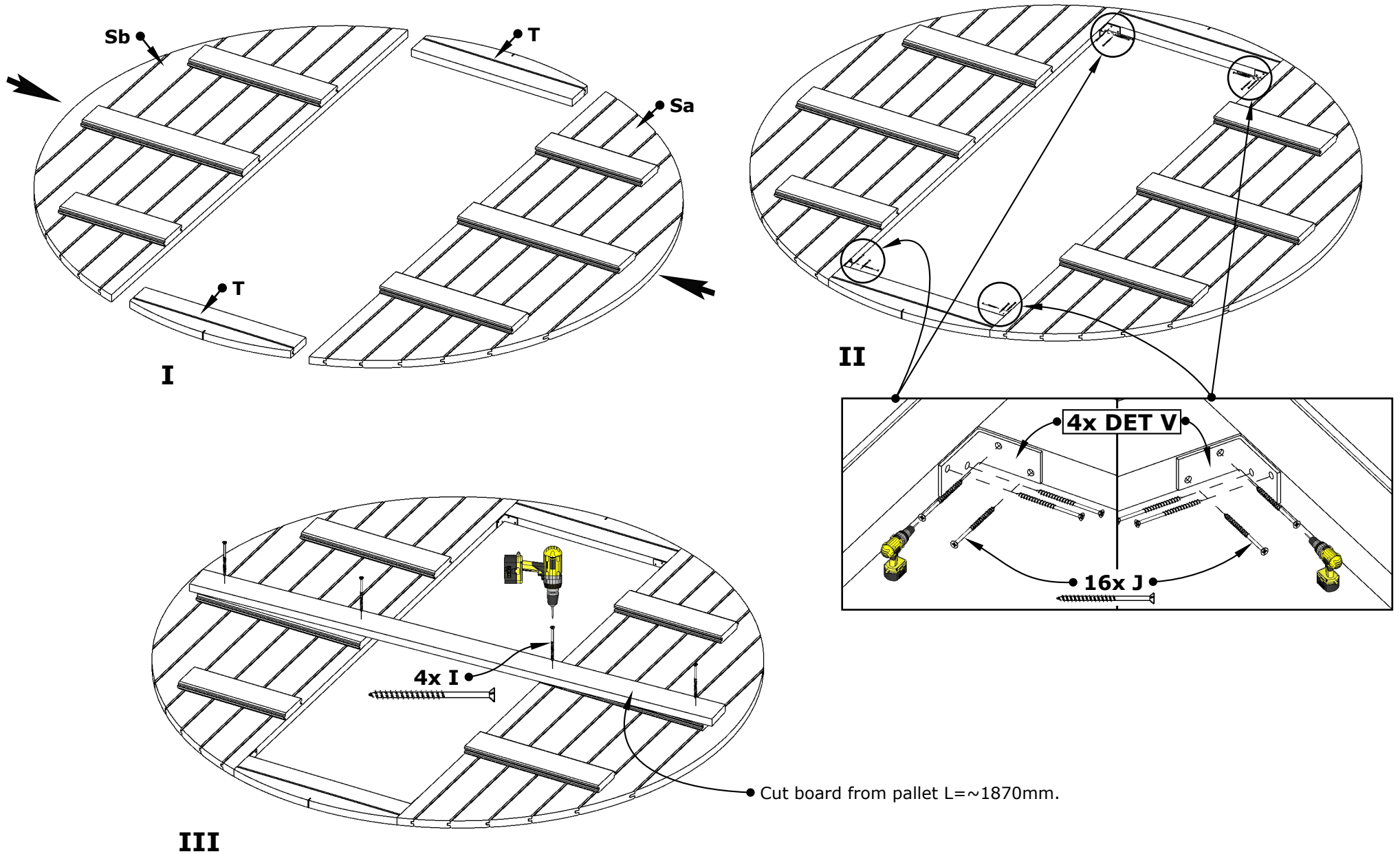
I



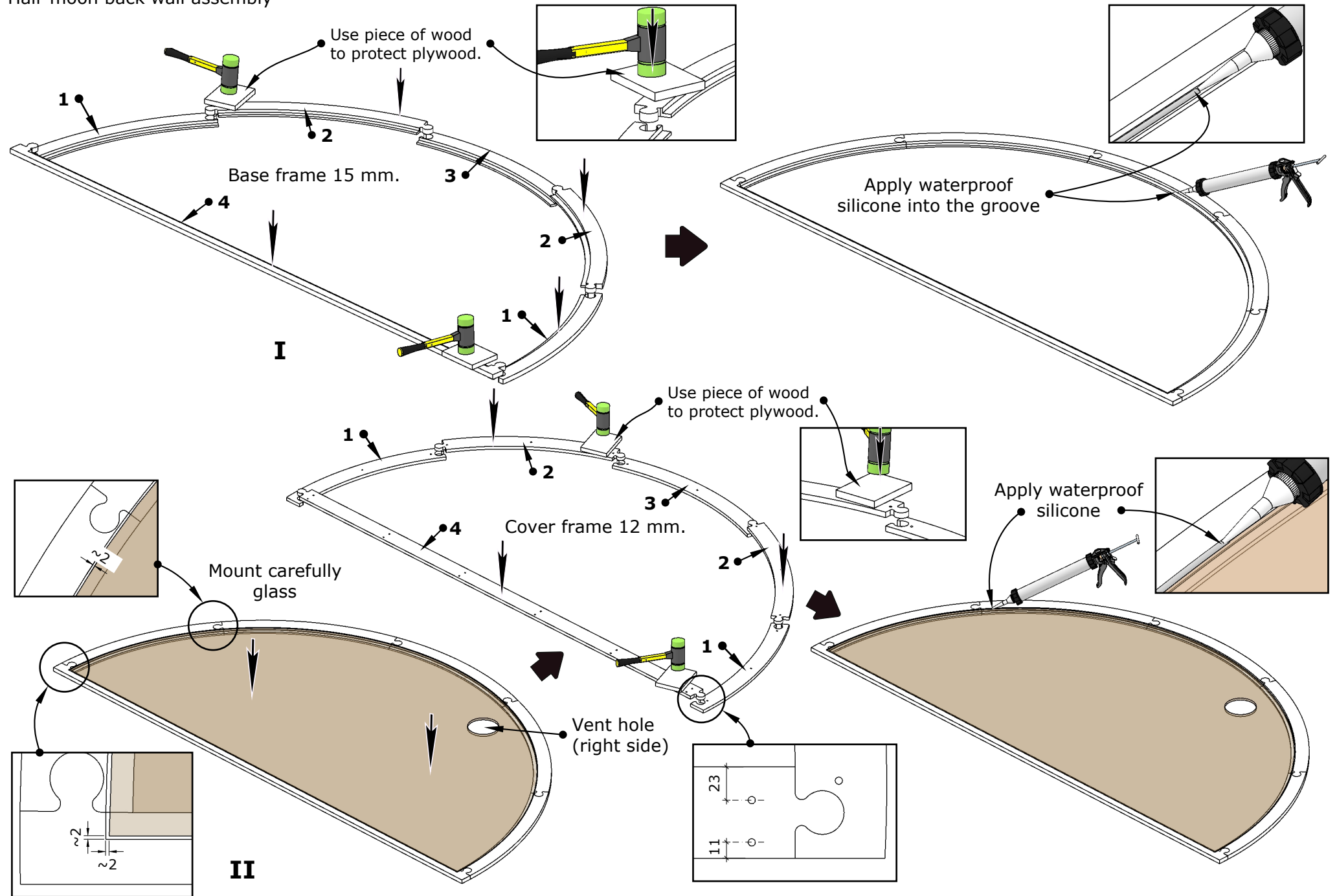
II



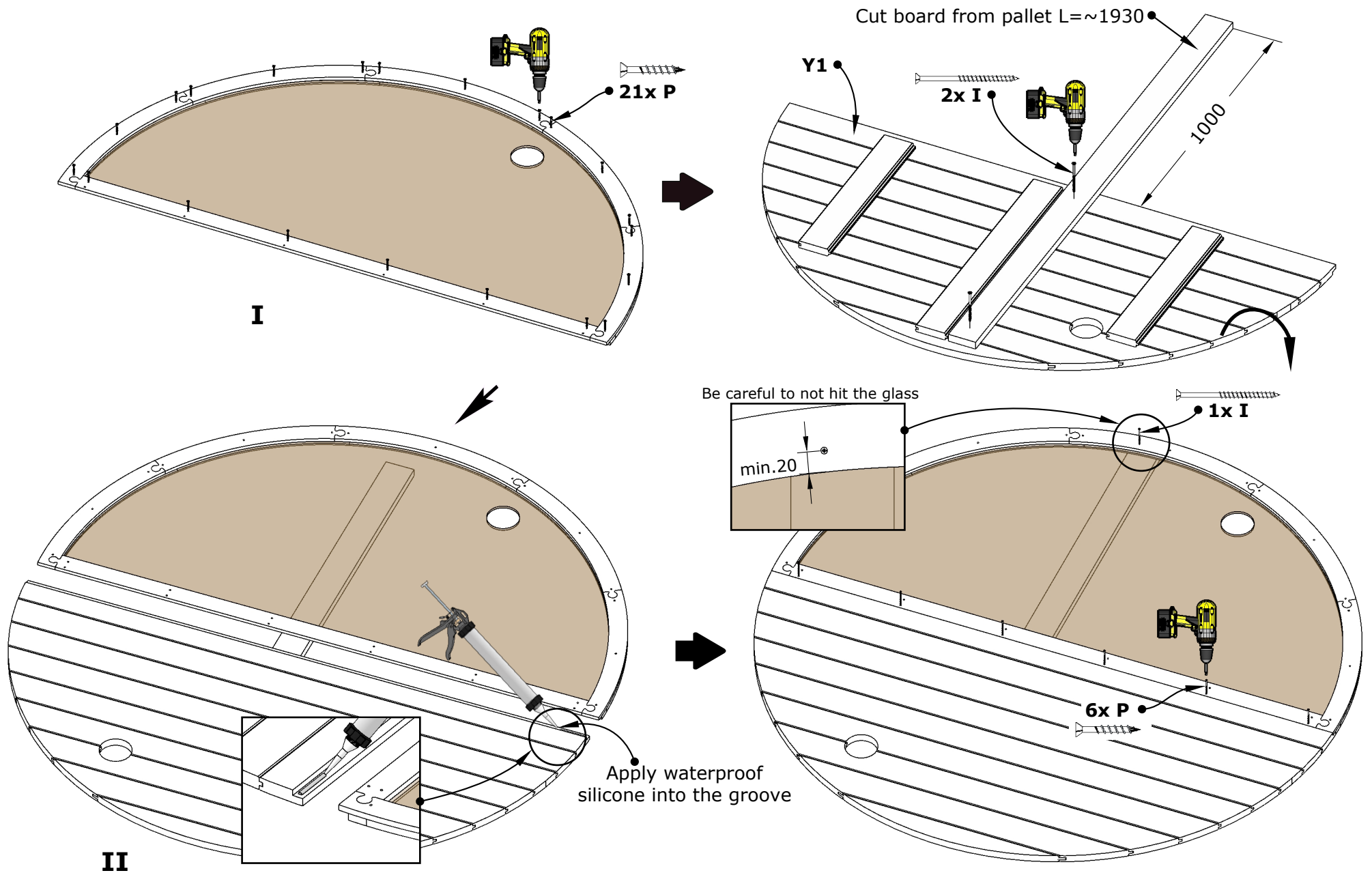
Wooden front wall assembly



Half-moon back wall assembly



Half-moon back wall assembly



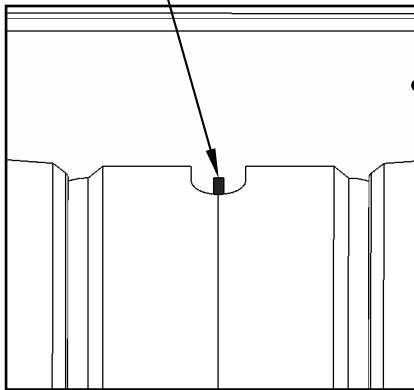
Use waterlevel



DET 3a
DET 3b

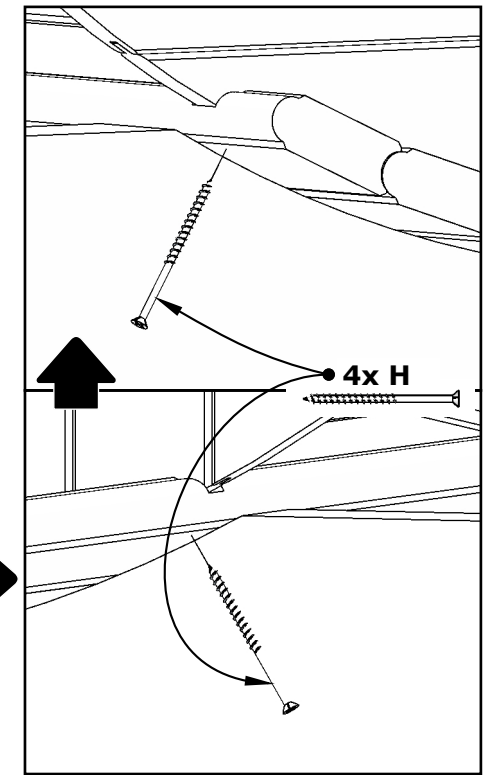
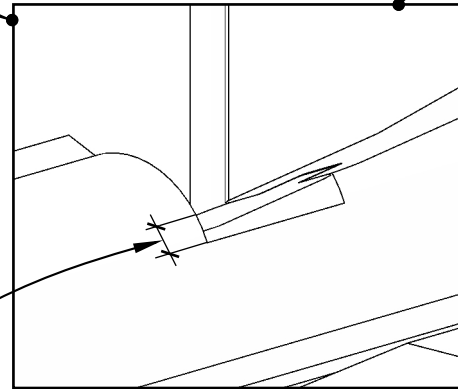
Fix temporarily to support walls.

Make sure the marking on all walls is centered in the notch.



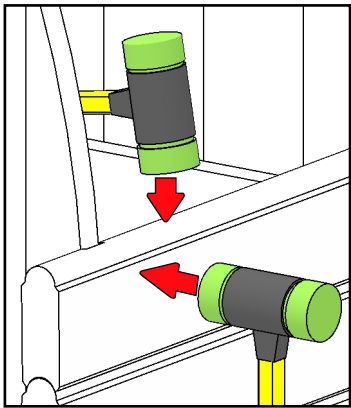
IMPORTANT!

Be sure to leave a ~5-7mm gap when tightening screws to leave room for adjustment when the outer bands (B) are installed.



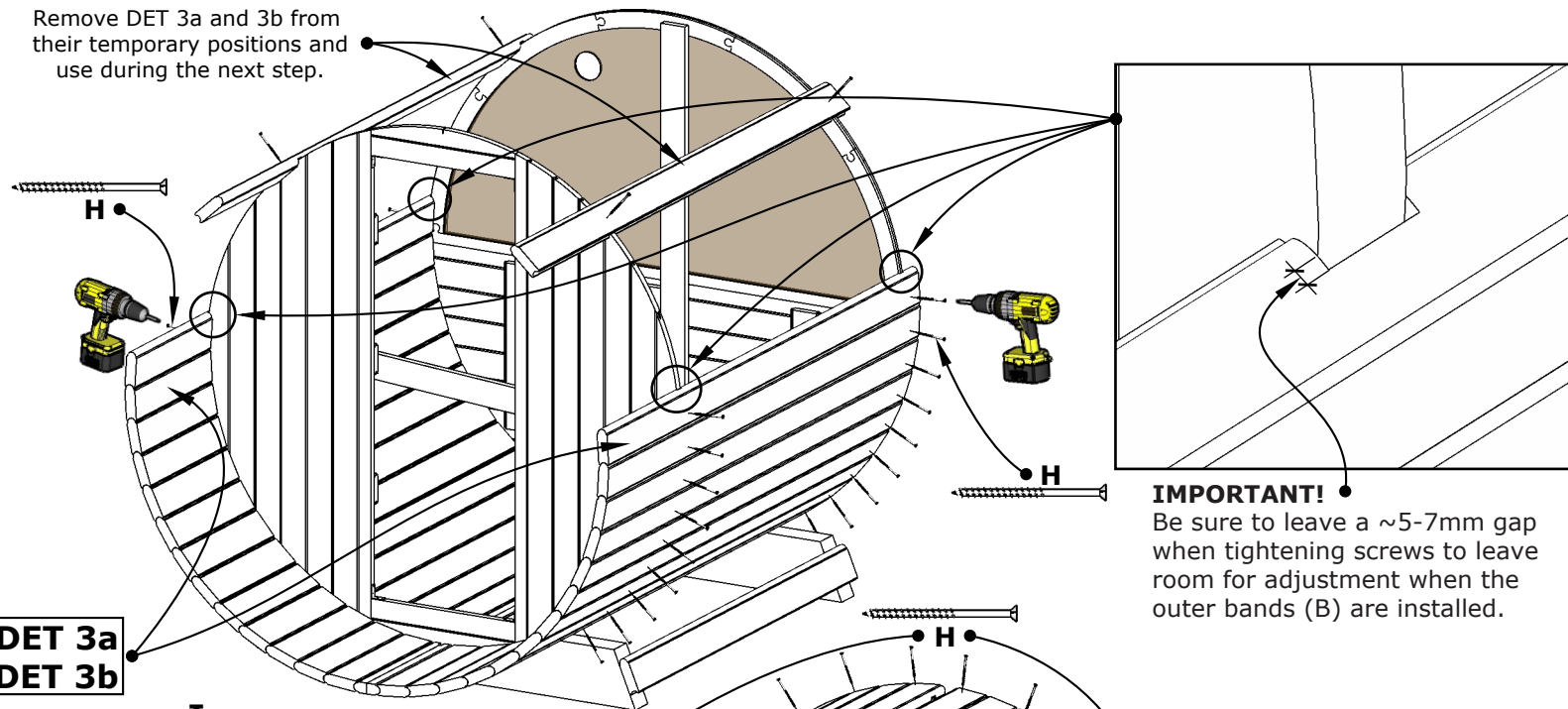
Remove DET 3a and 3b from their temporary positions and use during the next step.

Use rubber mallet!



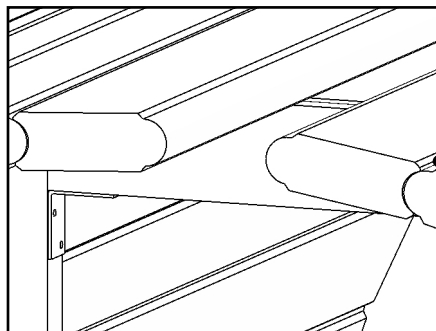
DET 3a
DET 3b

I



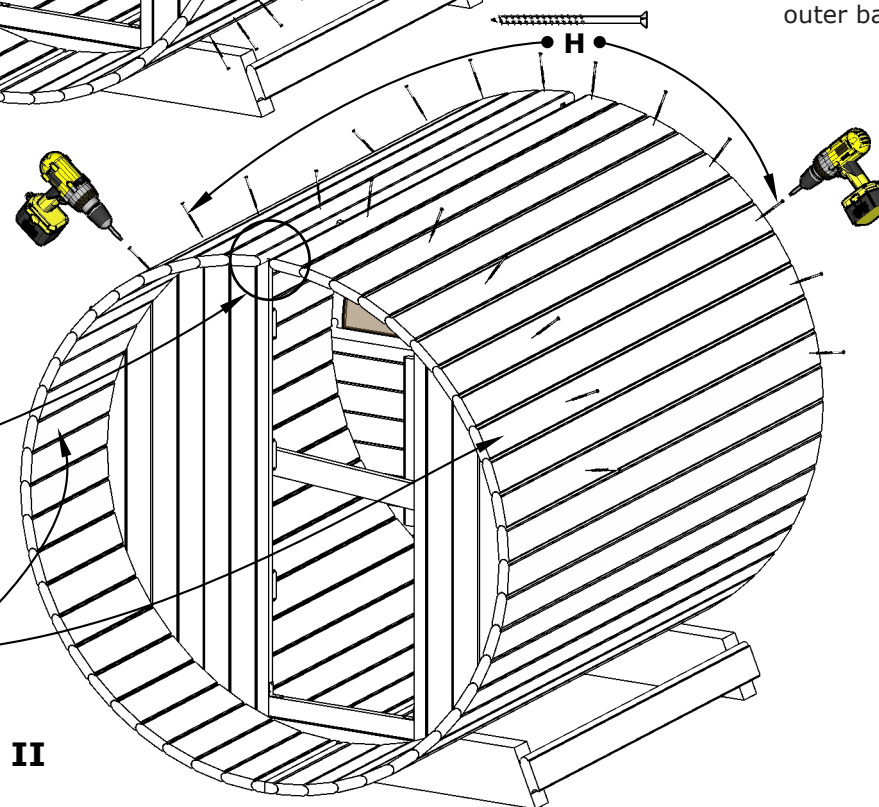
IMPORTANT!
Be sure to leave a ~5-7mm gap when tightening screws to leave room for adjustment when the outer bands (B) are installed.

See the next page.

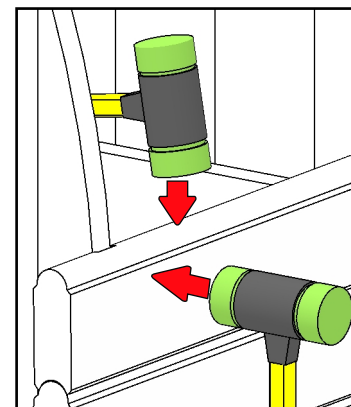


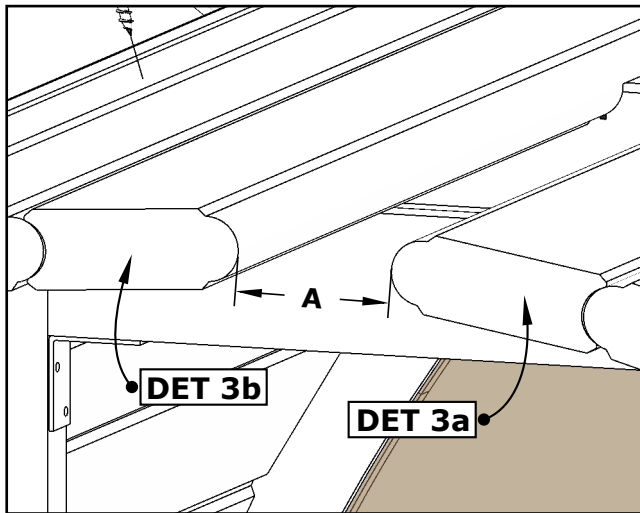
DET 3a
DET 3b

II

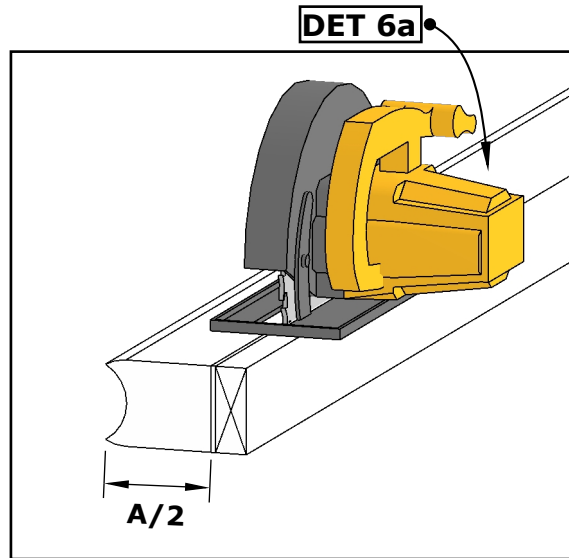


Use rubber mallet!

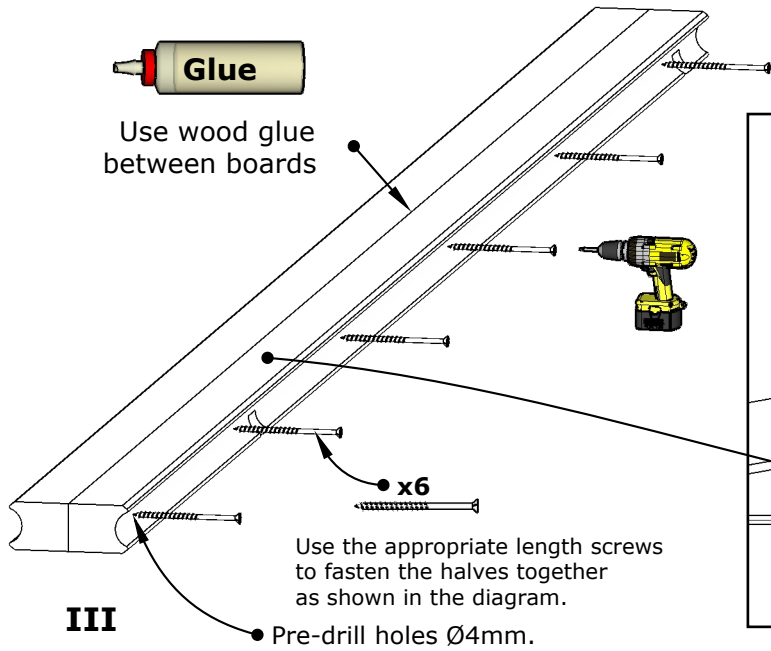
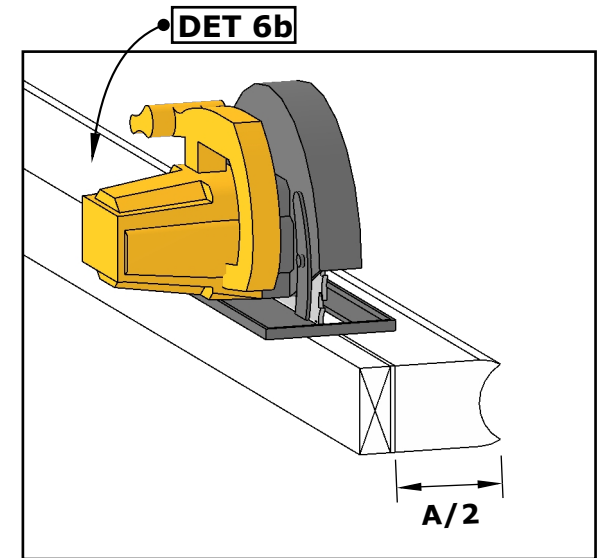




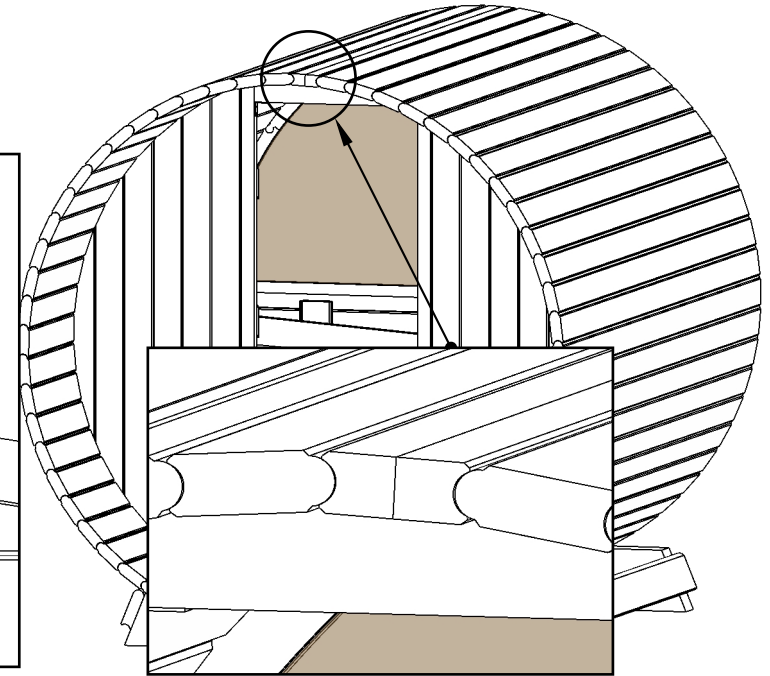
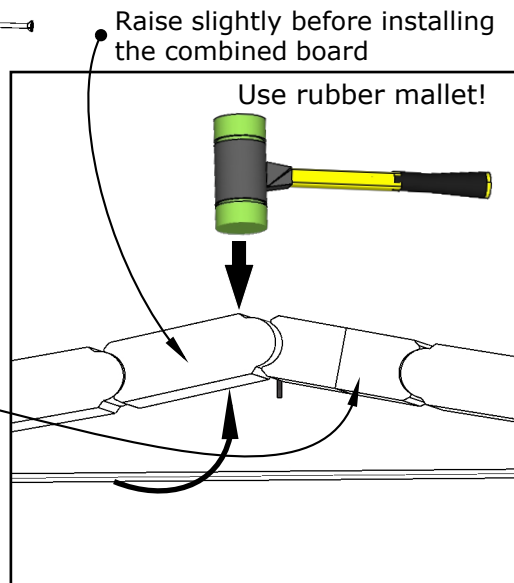
I



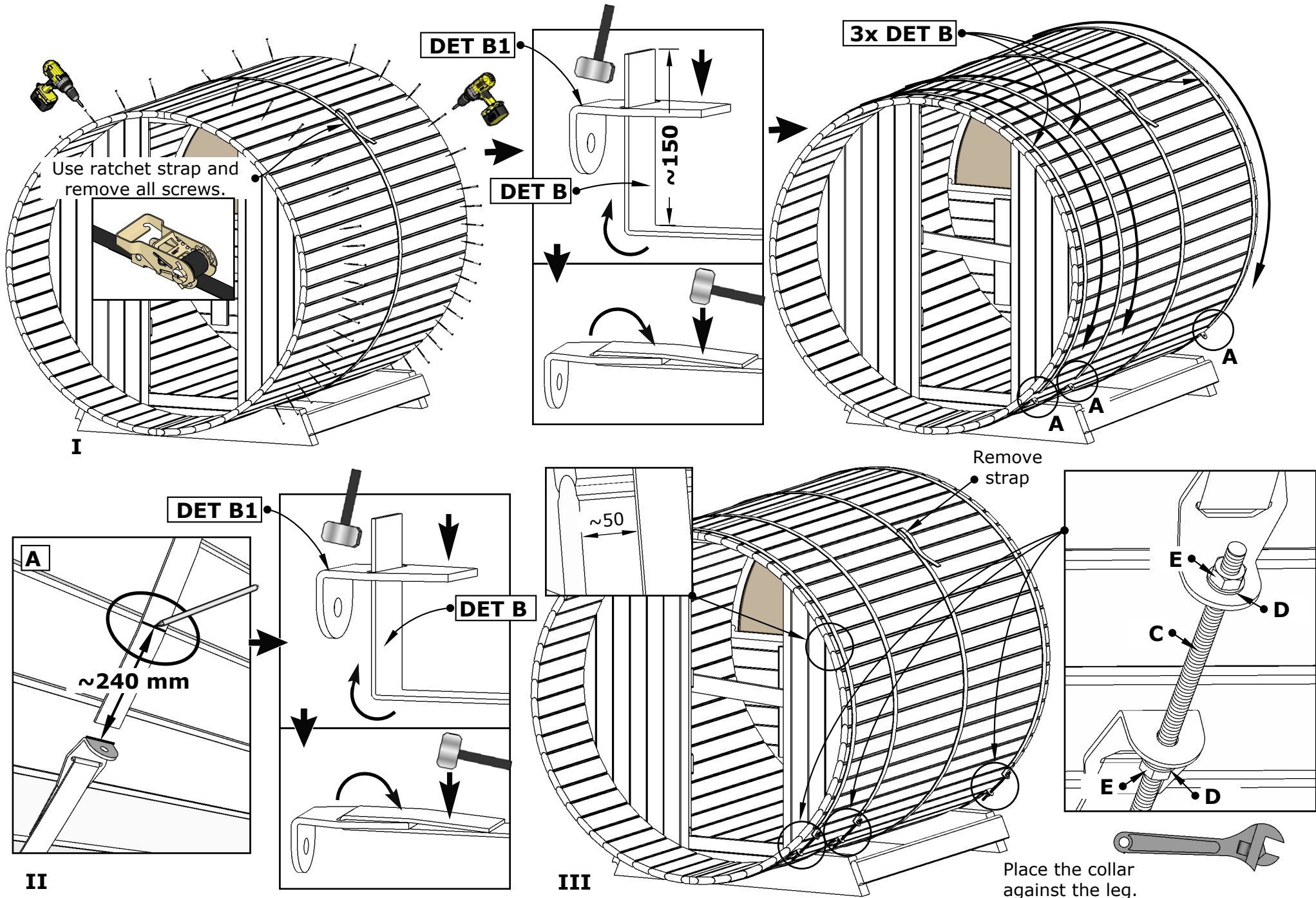
II

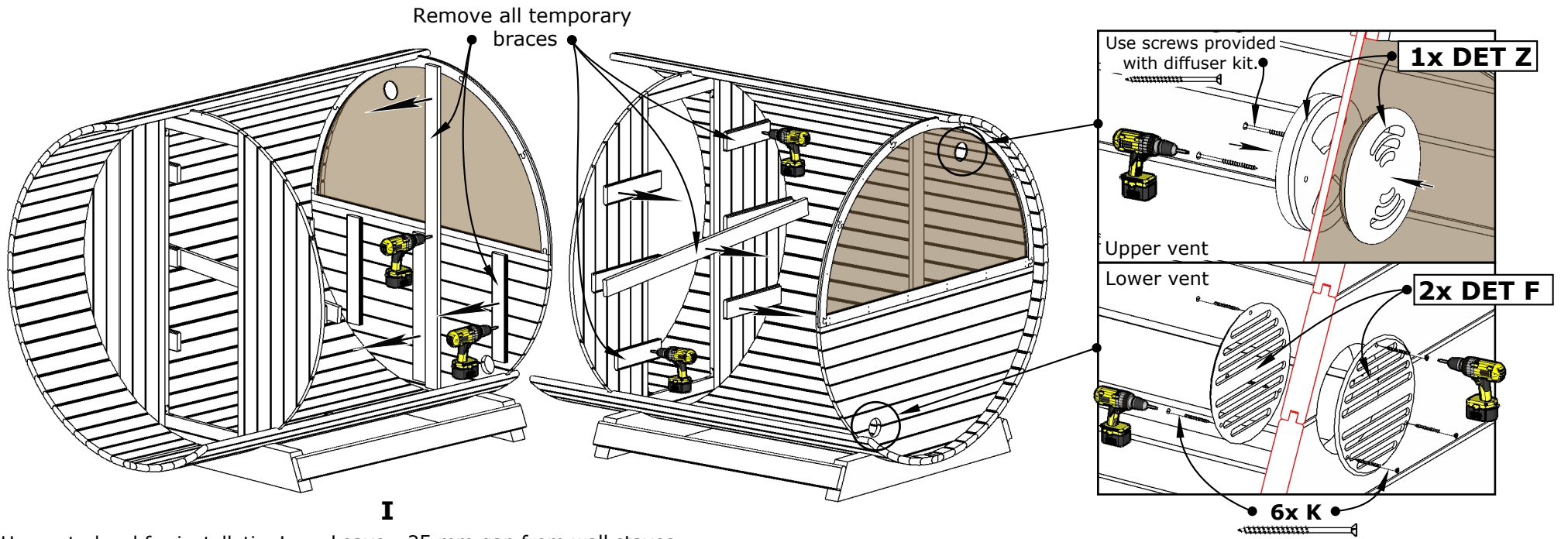


III

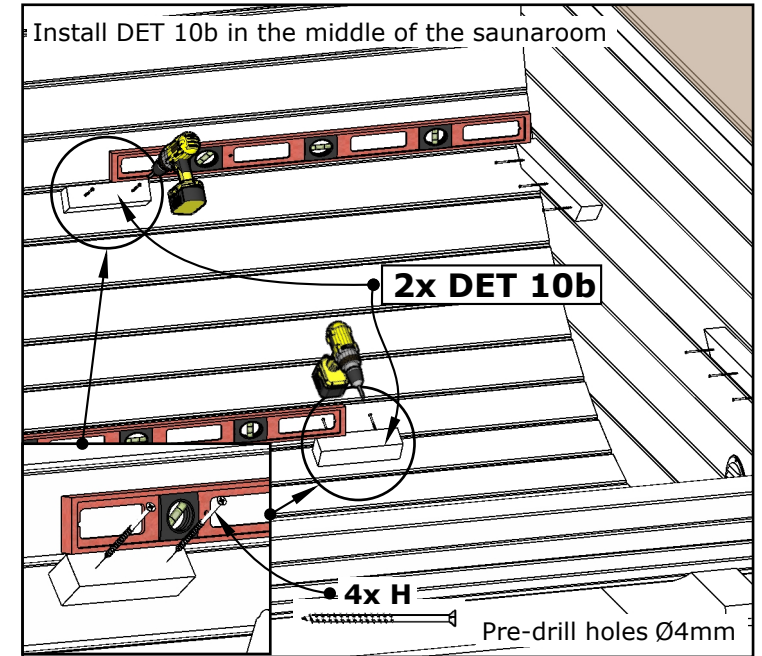
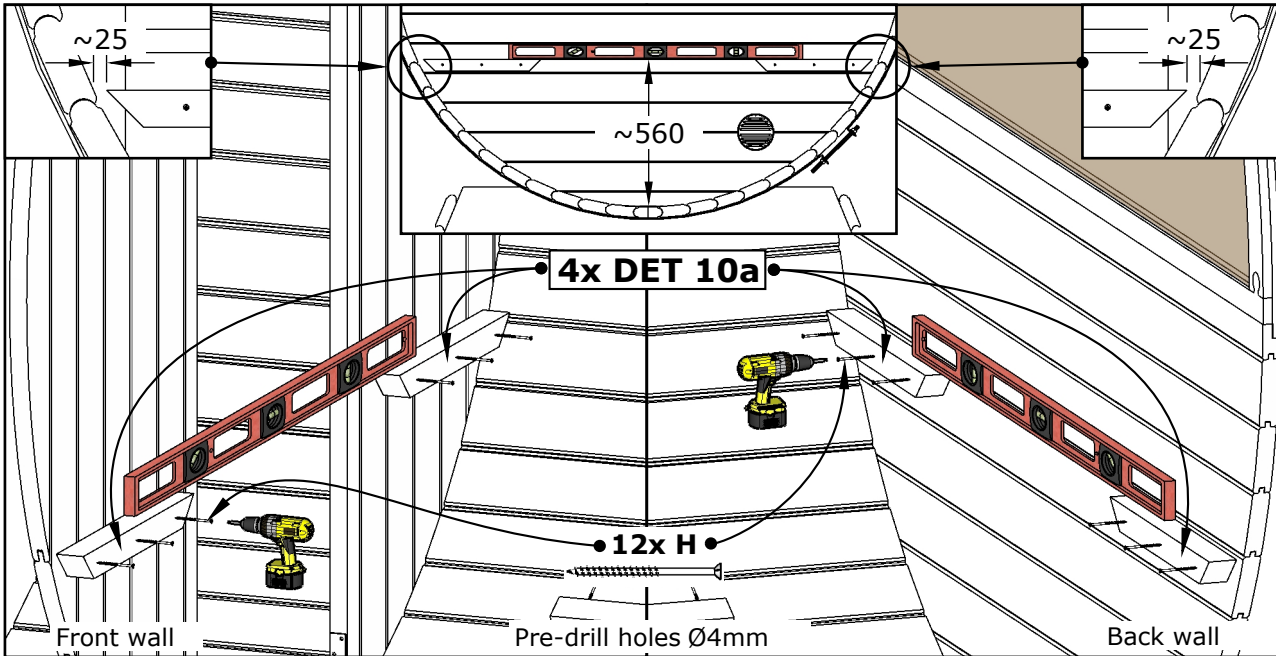


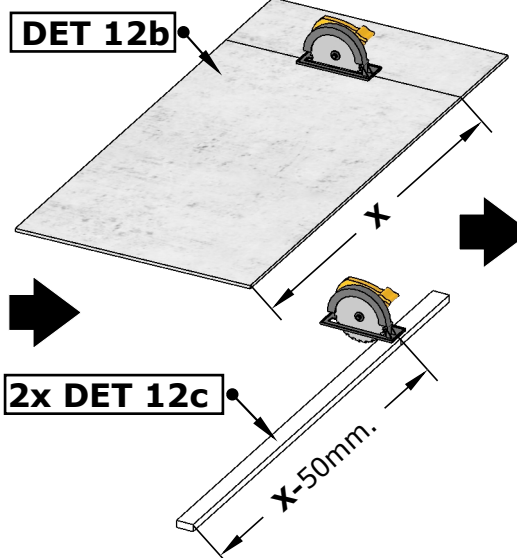
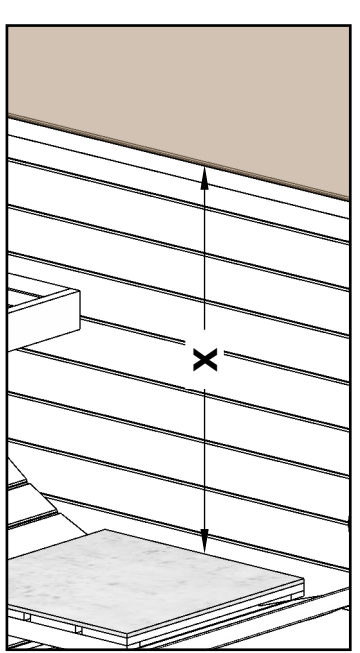
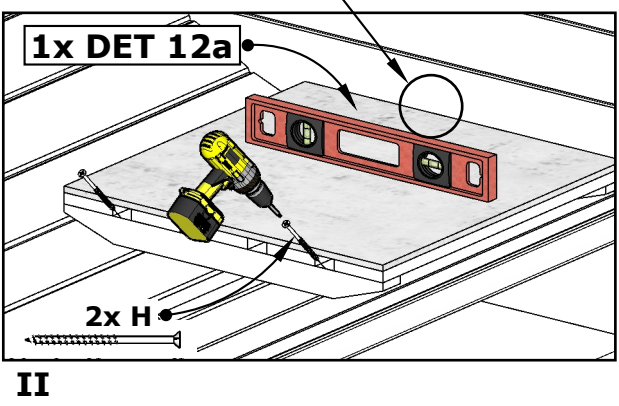
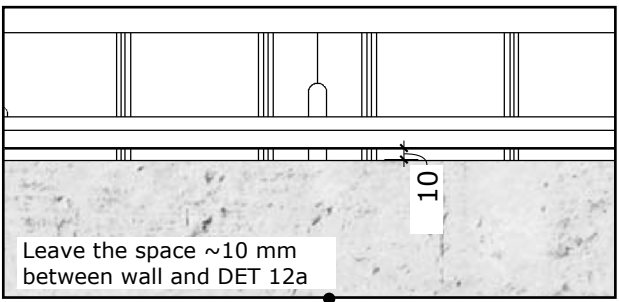
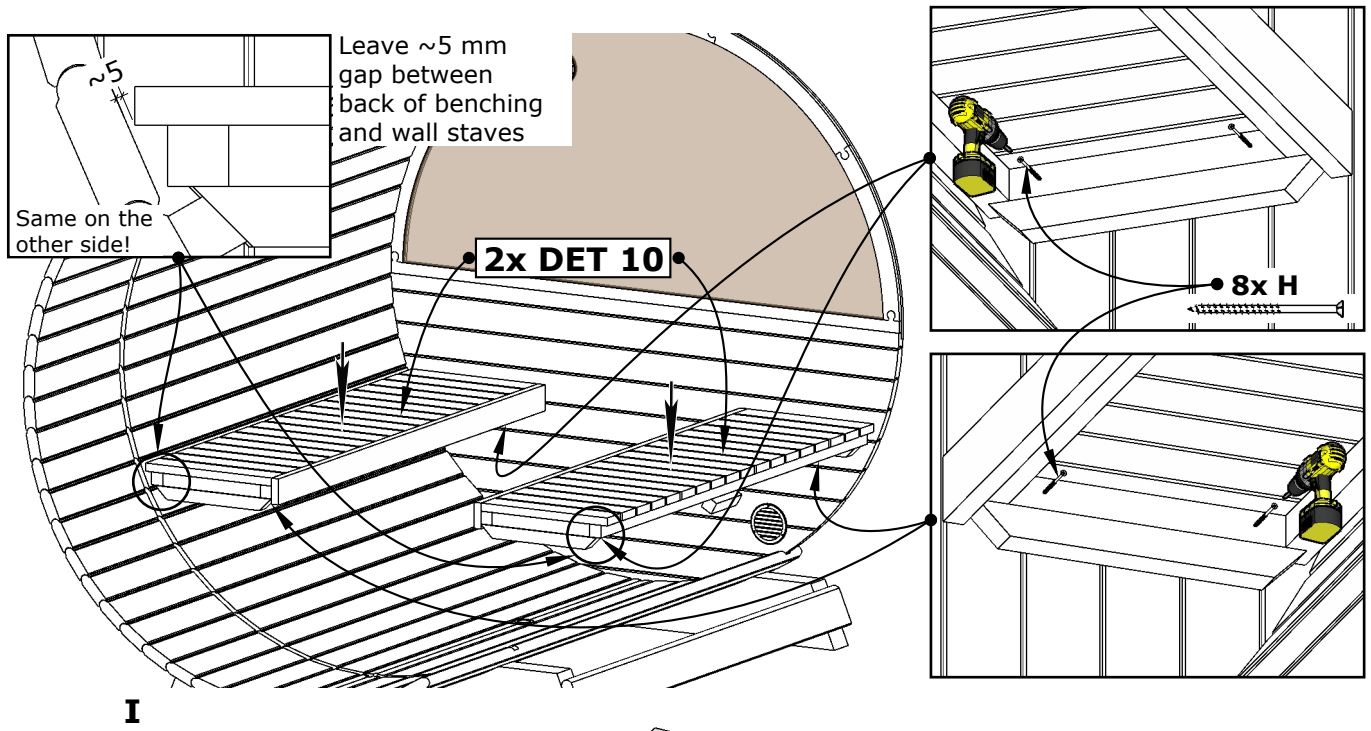
IV



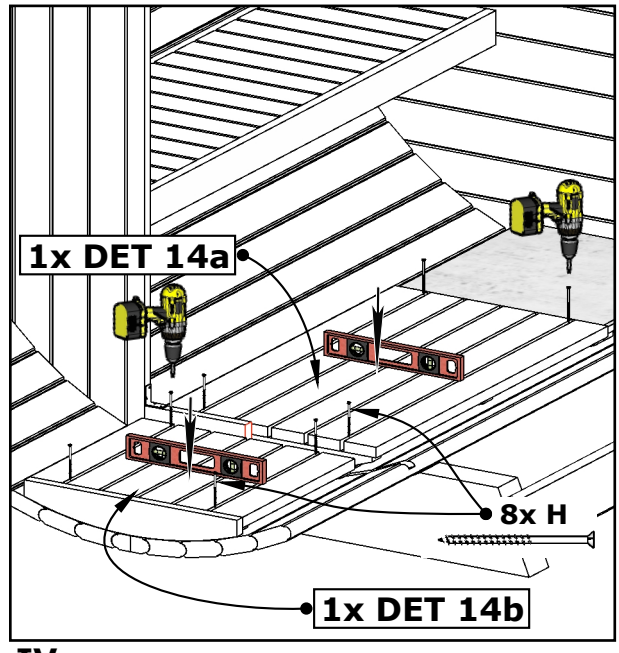
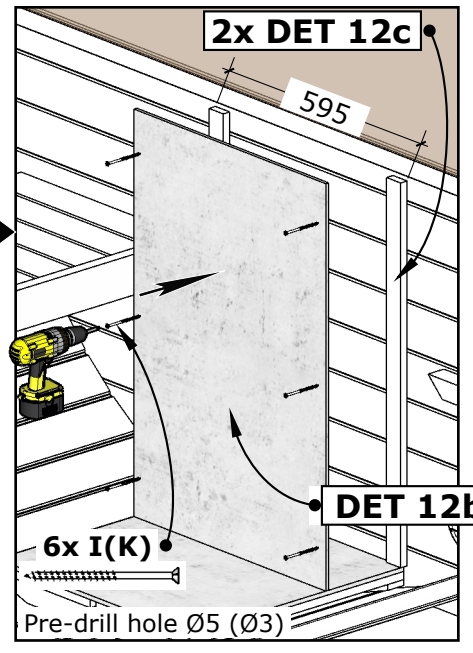


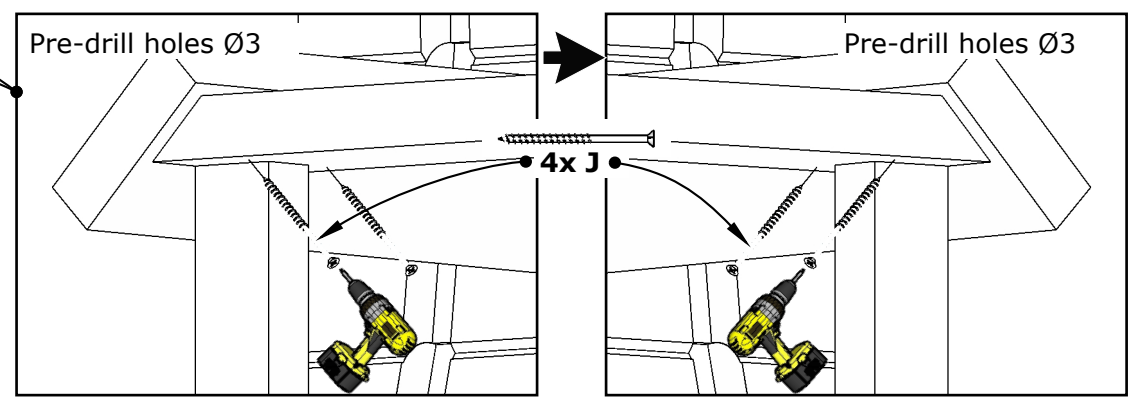
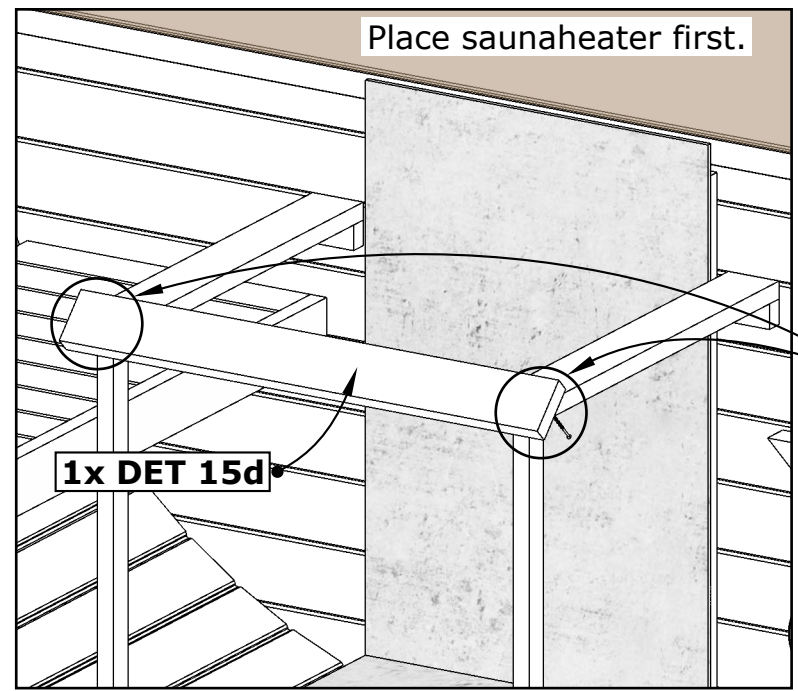
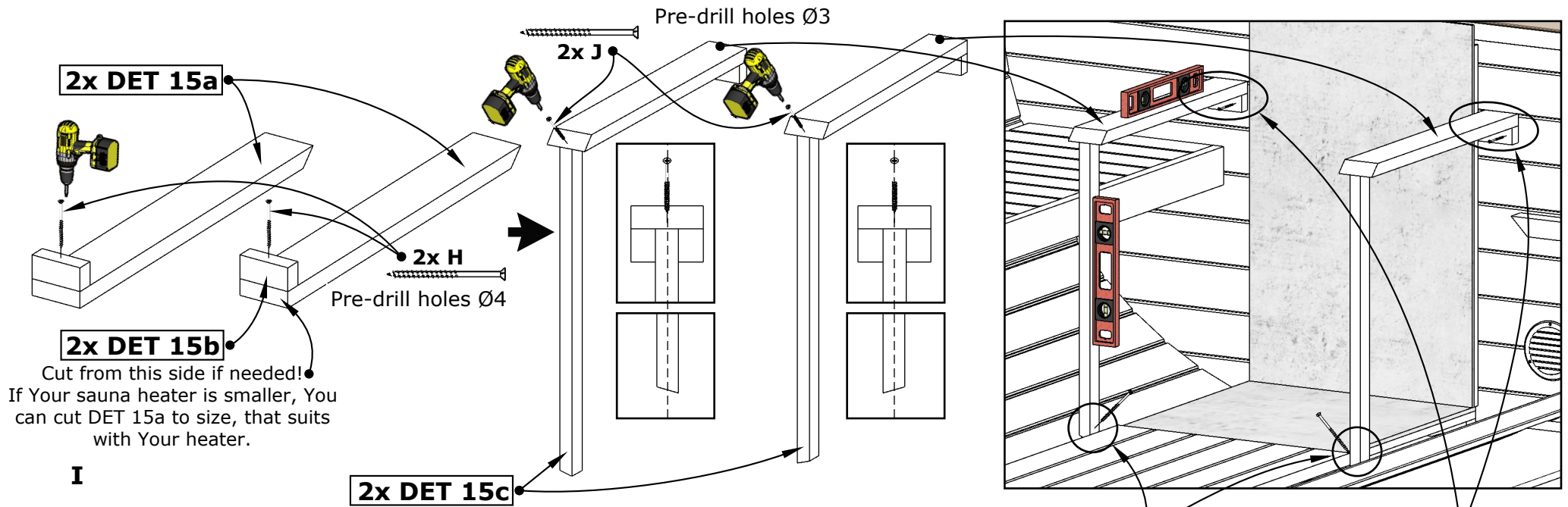
Use waterlevel for installation! Leave ~25 mm gap from wall staves

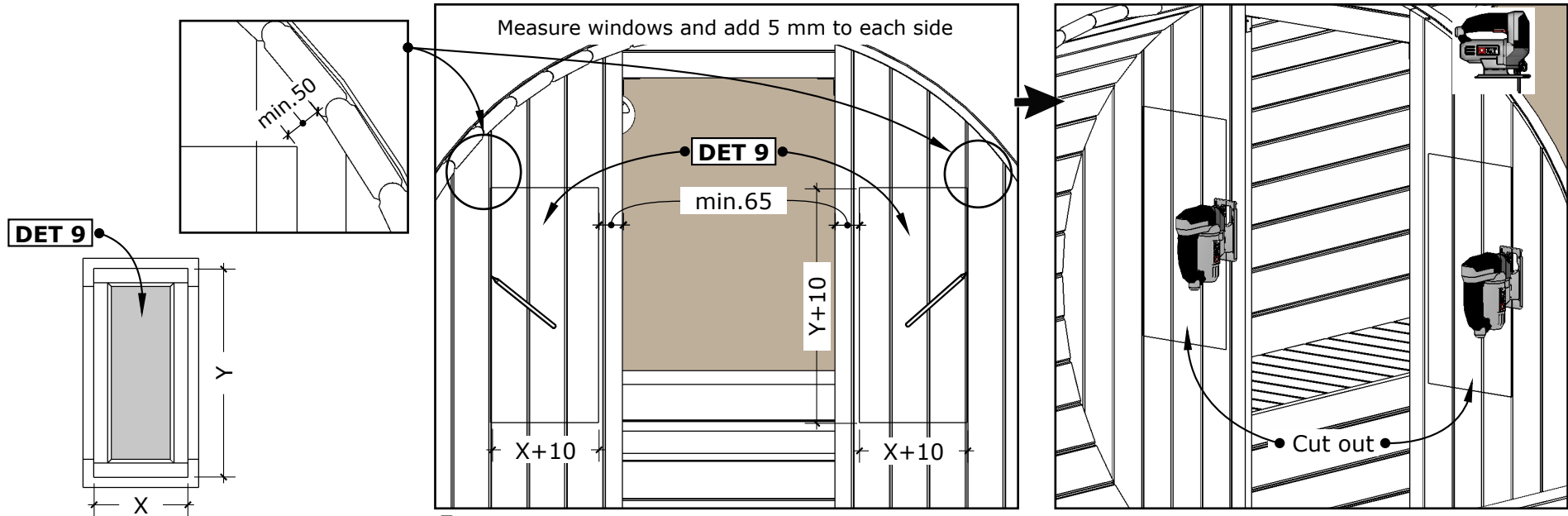




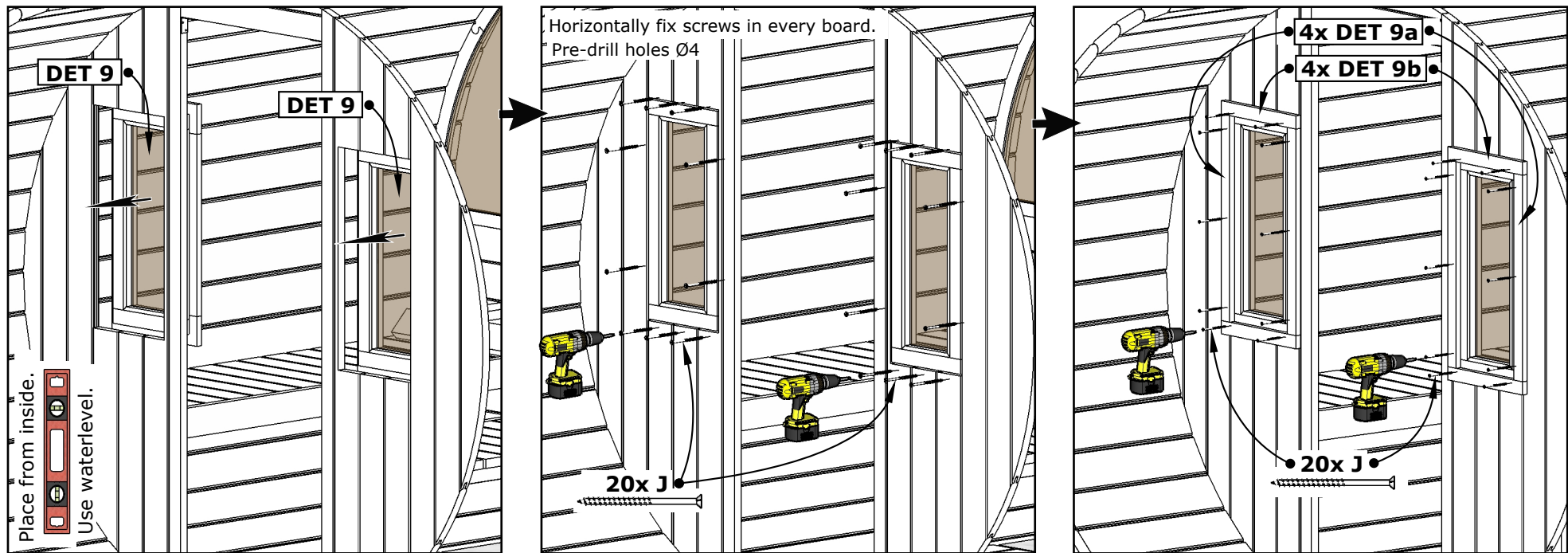
If Your sauna equipped with electrical heater, fix DET 12b directly to the wall without DET 12c. Then use screws K.





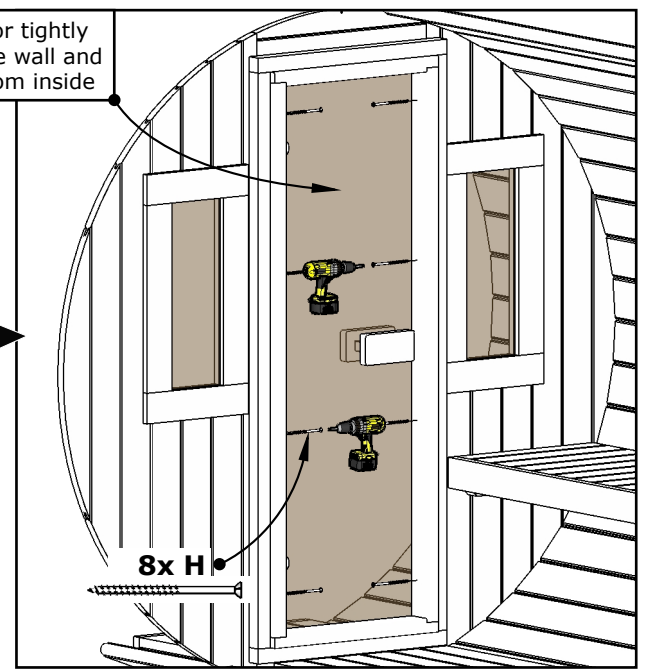
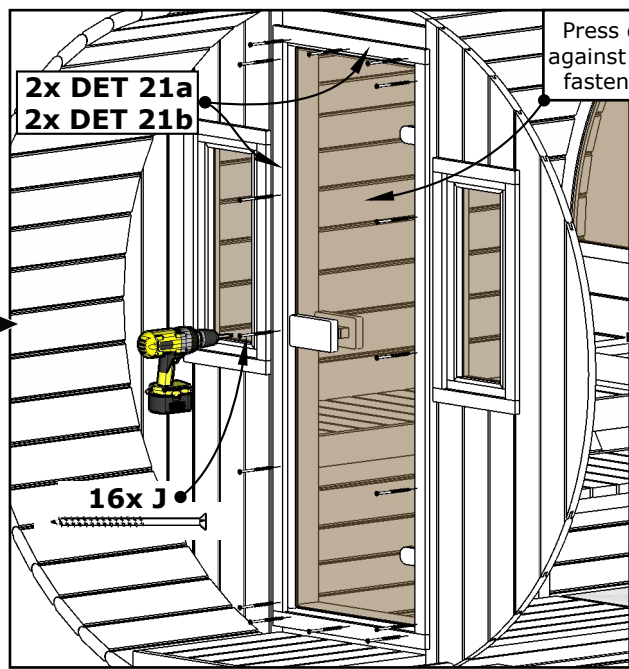
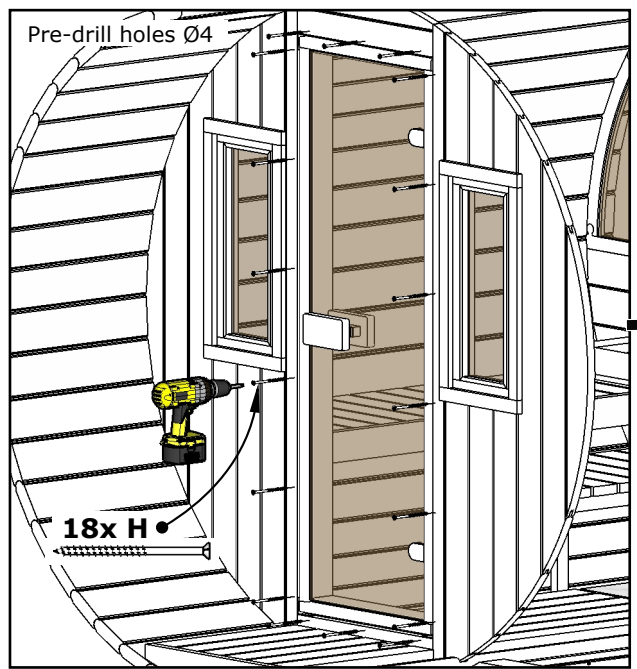
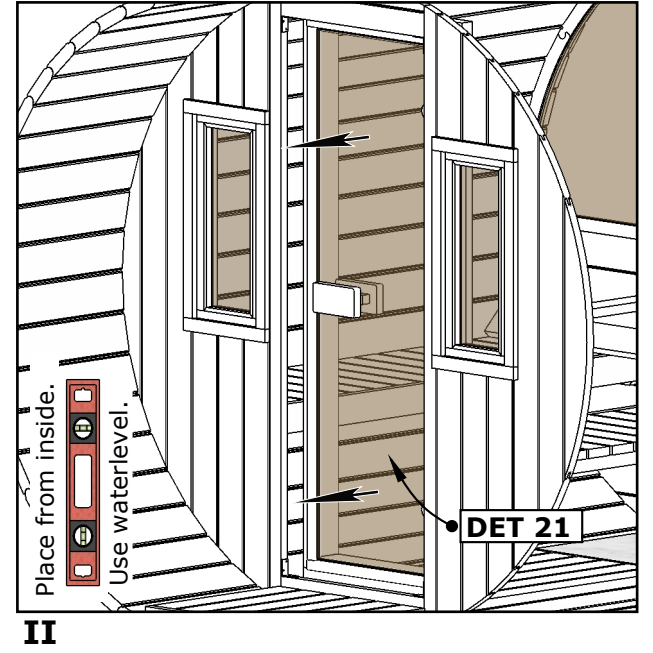
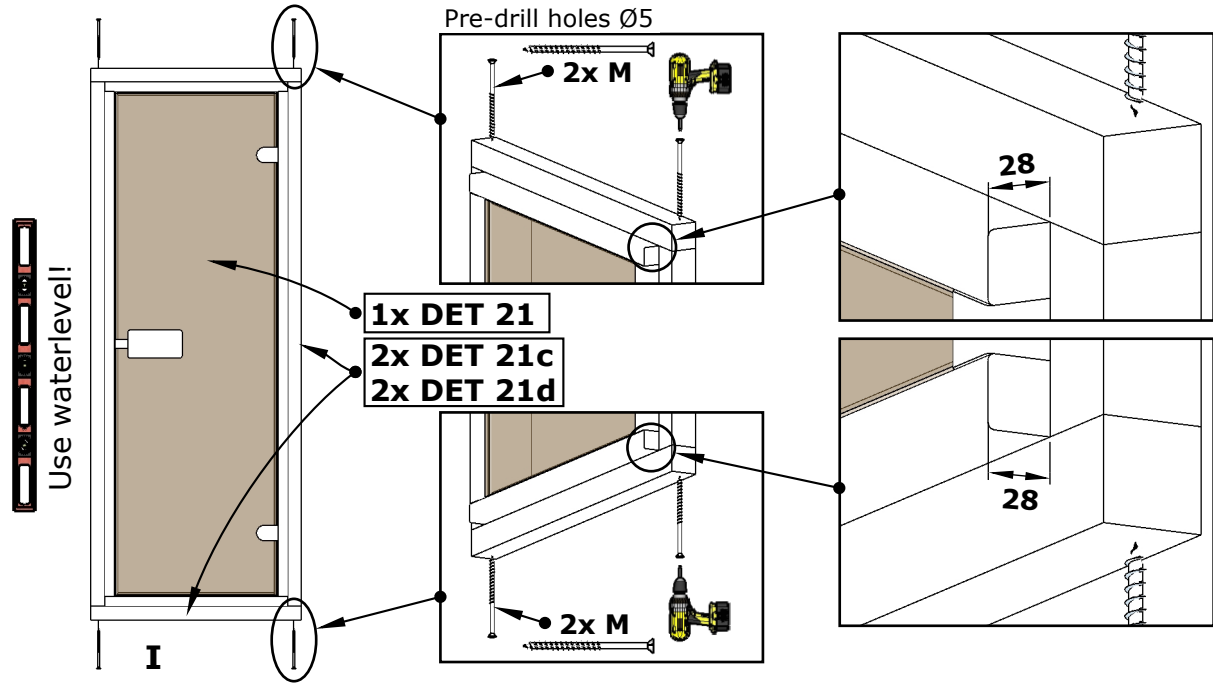


I



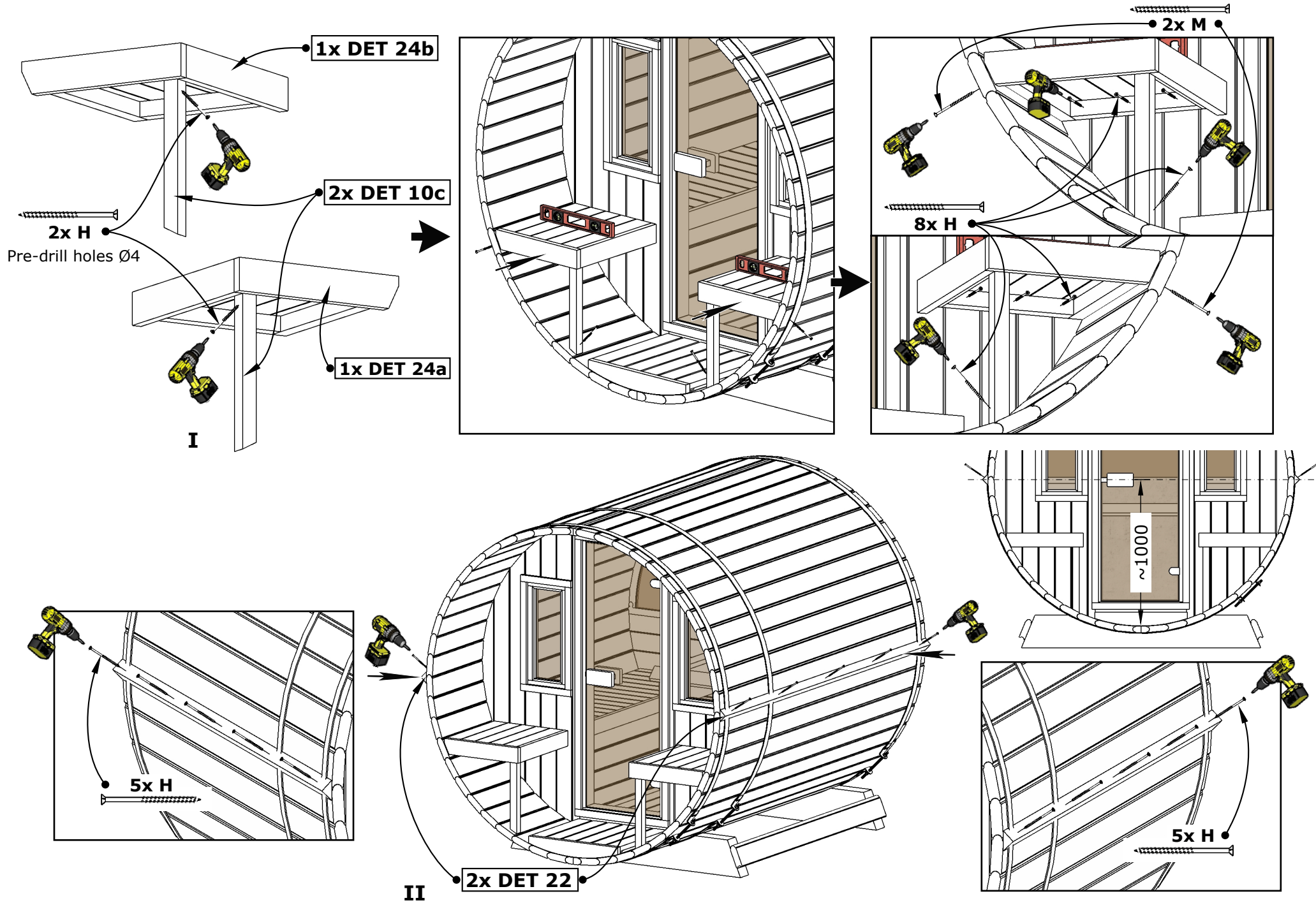
14. II

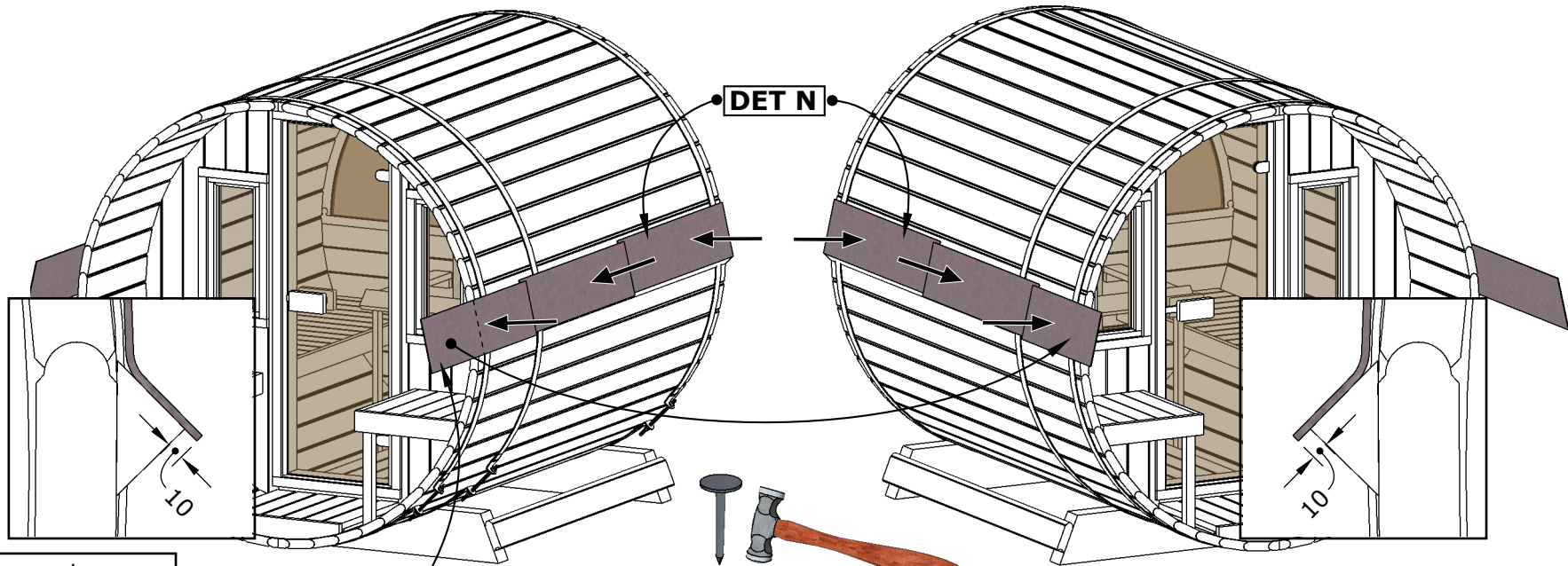
K20/235PE-PK12T



15. III

K20/235PE-PK12T

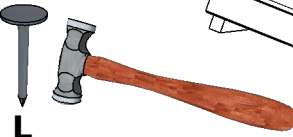




DET N

10

10



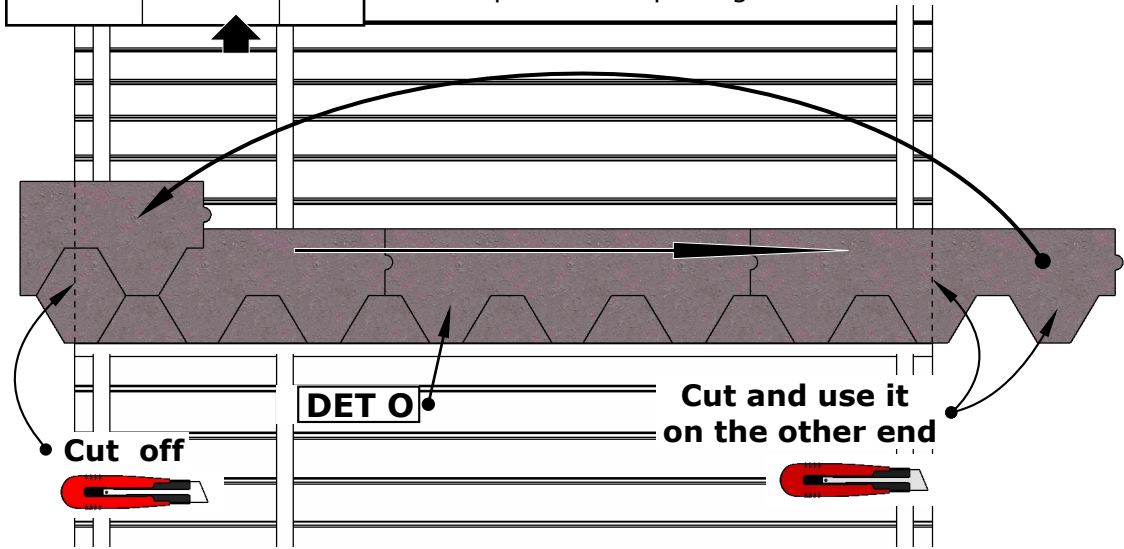
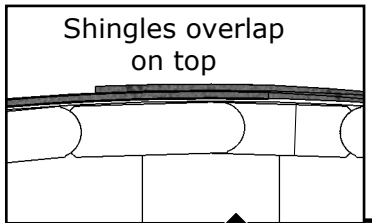
I

Shingles overlap on top

Cut and use it on other side

Attention! Refer to shingle installation manual provided in package.

Attention! Refer to shingle installation manual provided in package.

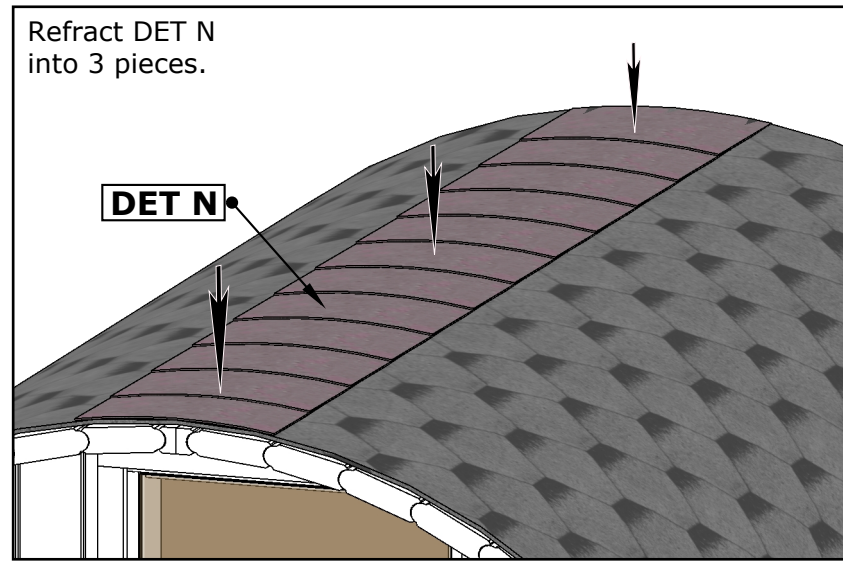


DET O

Cut and use it on the other end

Cut off

II



Refract DET N into 3 pieces.

DET N

III

