

HC-100

Helmet headset with boom microphone

Compatible with Savox C-C440 and C-C550 Communications Controllers



The Savox HC-100 Helmet-COM headset features a single speaker with two boom microphone options. A bone mic or throat mic are also available for specific tasks. This modular and flexible design makes the Savox HC-100 an excellent choice for a variety of tasks. The headset is easily attachable to different helmet types, ensuring crystal-clear audio and hands-free communication in any scenario. Fixing options included are: Universal helmet fixing adapter with arm/strap, MSA Gallet F1XF helmet speaker adapter and Velcro for mic.

Product numbers: N52000-18584 (with short boom) and N52000-18557 (with long boom)

WEIGHT

Weight	135 g
--------	-------

CABLE

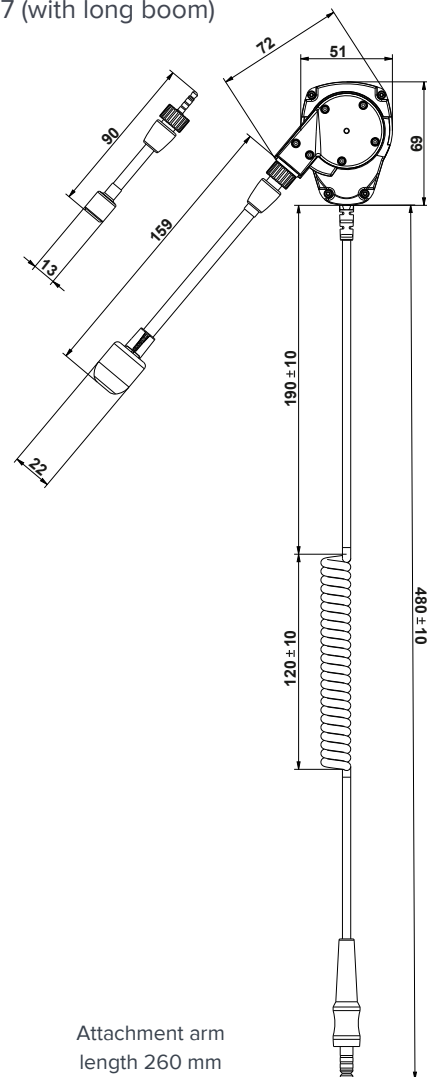
Length	480 mm ± 10 mm
Diameter	4 mm
Material	Polyamide, TPU
Connector	Quick-release 4-pole male connector (QR4)

MICROPHONE

Type	Short: electret, omnidirectional Long: electret, noise-cancelling, unidirectional,
Impedance	2200 ohm @ 1 kHz
Connector	3.5 mm, threaded nut attachment
Weight	Short: 12 g Long: 20 g

SPEAKER

Impedance	32 ohm
Power rating	0.25 W nominal
Audio output	81 dB / 250 mW / 0.5 meter



COMPLIANCE STANDARDS

Environmental and testing	
IP rating	Product revision HC-100#B: IP56 Product revision HC-100#A: IP54
Drop resistance	Drop to flat, hard surface from 2 m
Operation temperature	-40 °C ... +80 °C
Storage temperature	-20 °C ... +80 °C
Humidity	Max. 90 %
Flammability rating	All materials according to UL94-V0
Regulatory information	
EMC	2014/30EU