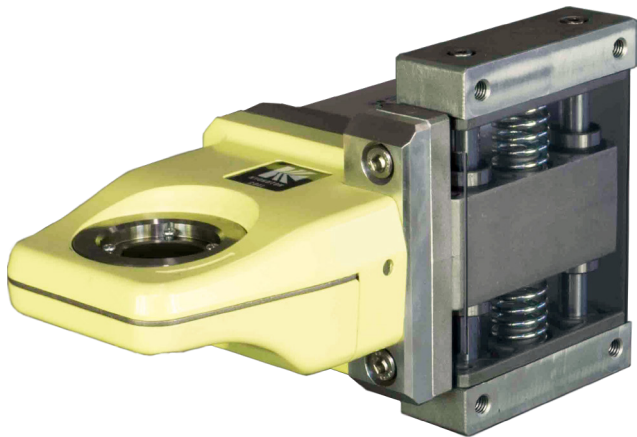


Small Type Servo Tip Dresser **CDEL**

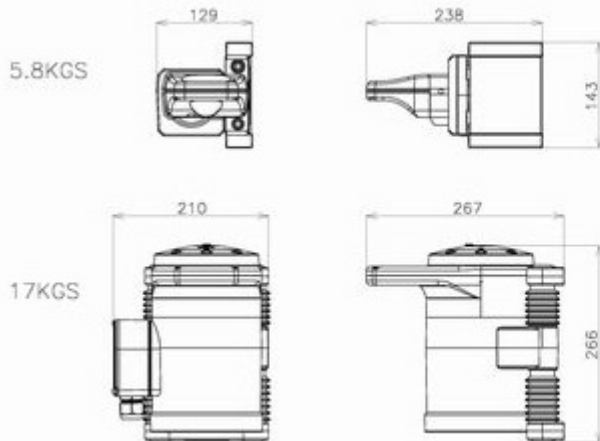


Feature

1. 1/3 the size of an existing dresser, Weight 5.8kg.
2. Can be controlled by either a robot axis or an external axis
(Corresponds to any robot makers).
3. New floating unit designed to fit in any way.
4. Small and thin gear head.
5. Adopt one touch holder which does not require any tool(Option).

※ Customers should prepare the motor.

Dimensions



Option

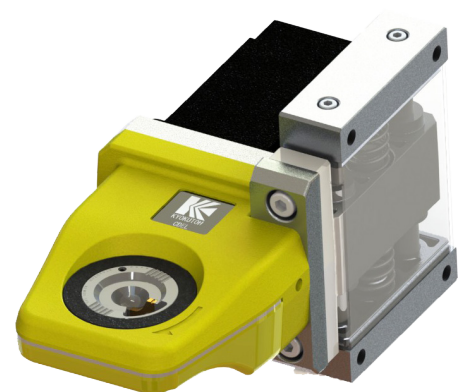
Stand Option image



Tip Collector image



One Touch Holder image
(CDEL-HB specification)



※ Specification and design are to be changed without notice for improvement.
※ Movie is available on Kyokutoh web page.