

Ratchet Type Dresser HDM-KTW



Feature

1. Precise dressing.
2. Simultaneous dressing of upper and lower cap tips for reduced dressing time.
3. No need to align upper and lower cap tips when dressing.
4. Both single-handed and two-handed operational capability.
5. With ratchet switch function.
6. Guides for stable dressing (for $\phi 13$ or $\phi 16$) is included.

※ Please contact our sales for special requirement or other products.

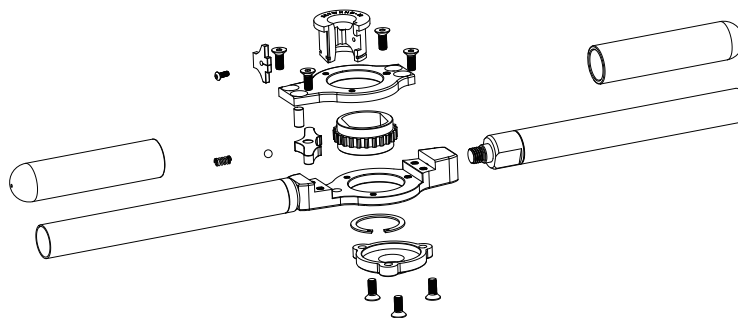
Specification

D TYPE

Upper Tip	$\phi 5 \times 8R$	$\phi 6 \times 8R$	$\phi 8 \times 8R$
Lower Tip	$\phi 5 \times 8R$	$\phi 6 \times 8R$	$\phi 8 \times 8R$
Cutter	SKTW-11	SKTW-12	SKTW-13
Holder	SKTWHC-11	SKTWHC-12	SKTWHC-13

R TYPE

Upper Tip	R6.5	R8
Lower Tip	R6.5	R8
Cutter	SKTW-15	SKTW-16
Holder	SKTWHC-15	SKTWHC-16



How to use

1. Confirm the welding power is off.
 2. Slide ratchet dresser 4 -5 times after turning the pressure switch on.
 3. In case of much burr, dress one more time with reducing Gun pressure and release ratchet dresser while the gun pressure is released.
- ※ Please not use the ratchet dresser for any other purpose.
- ※ Please hold the arm part of ratchet dresser, not the head part when dressing.

※ Specification and design are to be changed without notice for improvement.