

Counter reaction balancer HKS series

Spring balancer + Reduce counter reaction

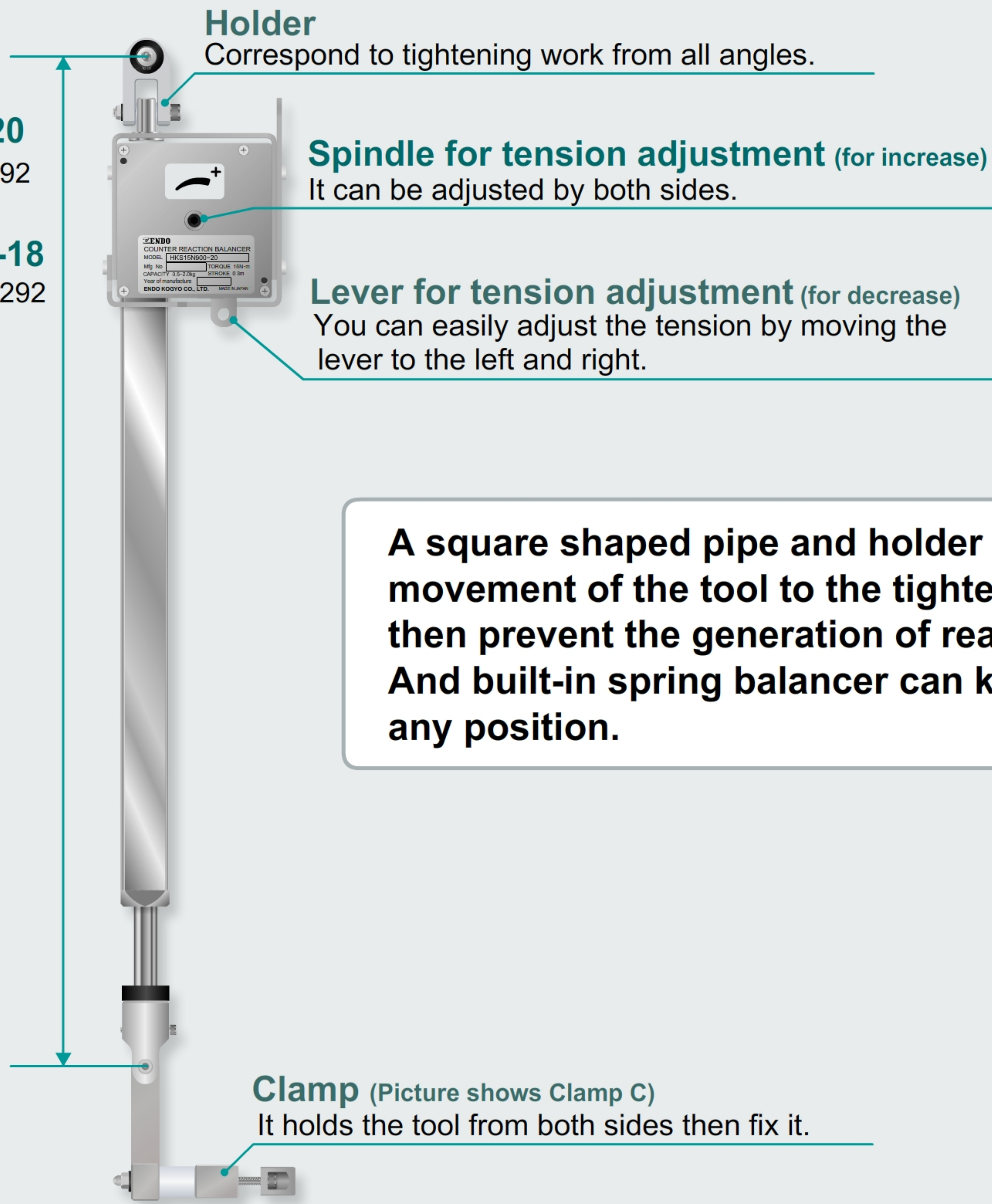
New Model

HKS15N900-20

MIN.592~MAX.892
Stroke 300mm

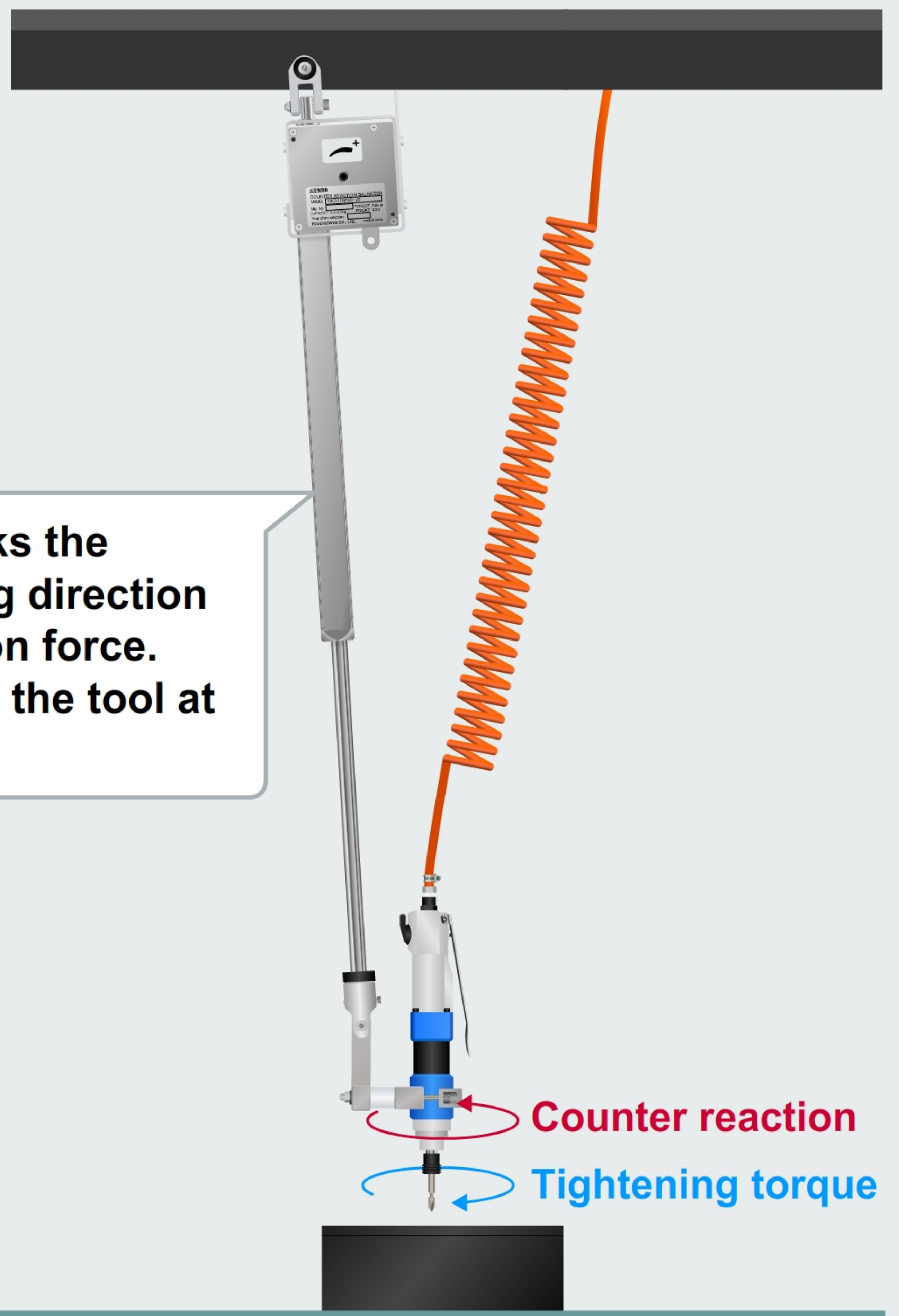
HKS15N1300-18

MIN.792~MAX.1292
Stroke 500mm

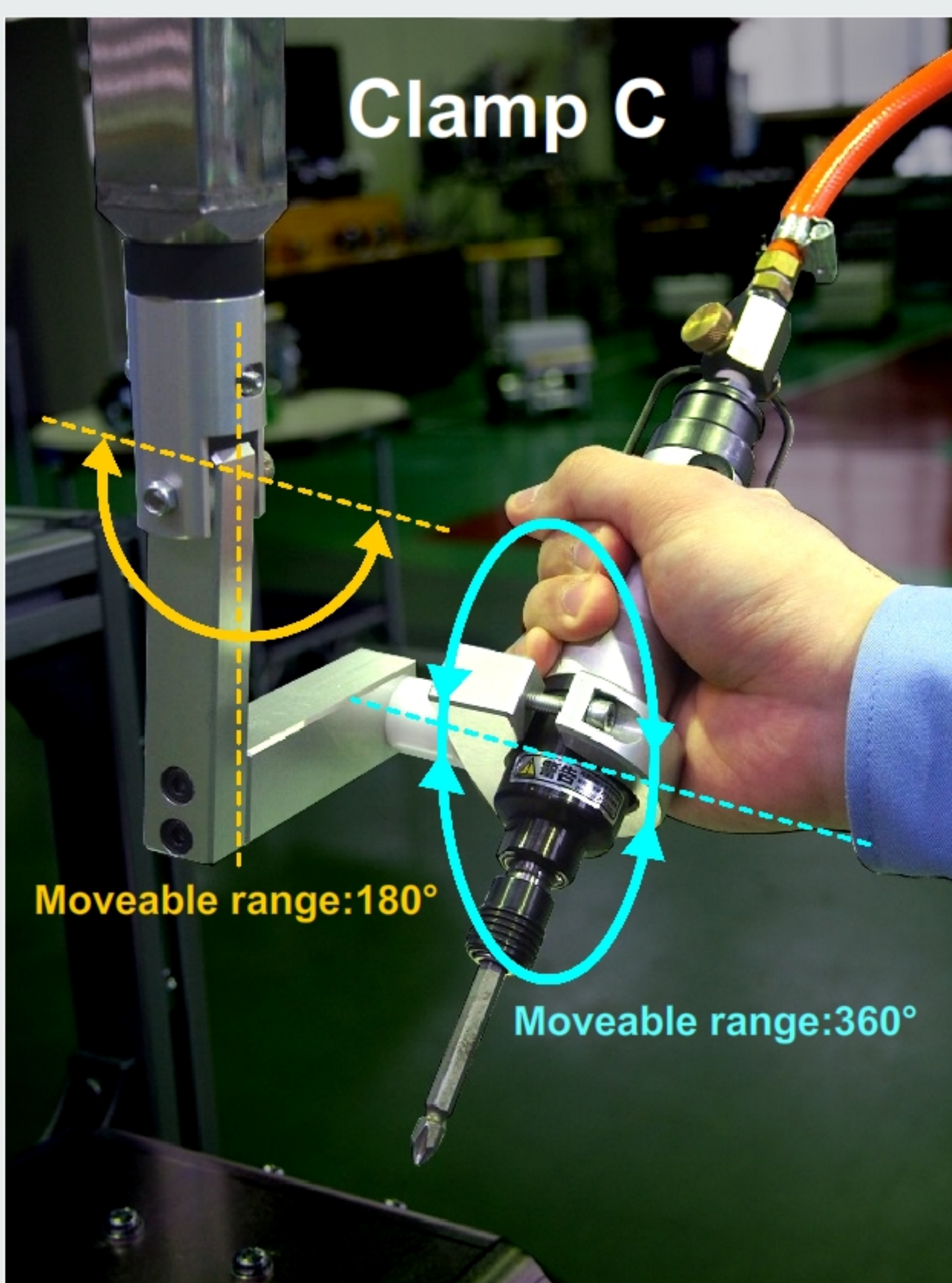


A square shaped pipe and holder locks the movement of the tool to the tightening direction then prevent the generation of reaction force. And built-in spring balancer can keep the tool at any position.

This is a good product suitable for low torque fine tightening work on the workbench.



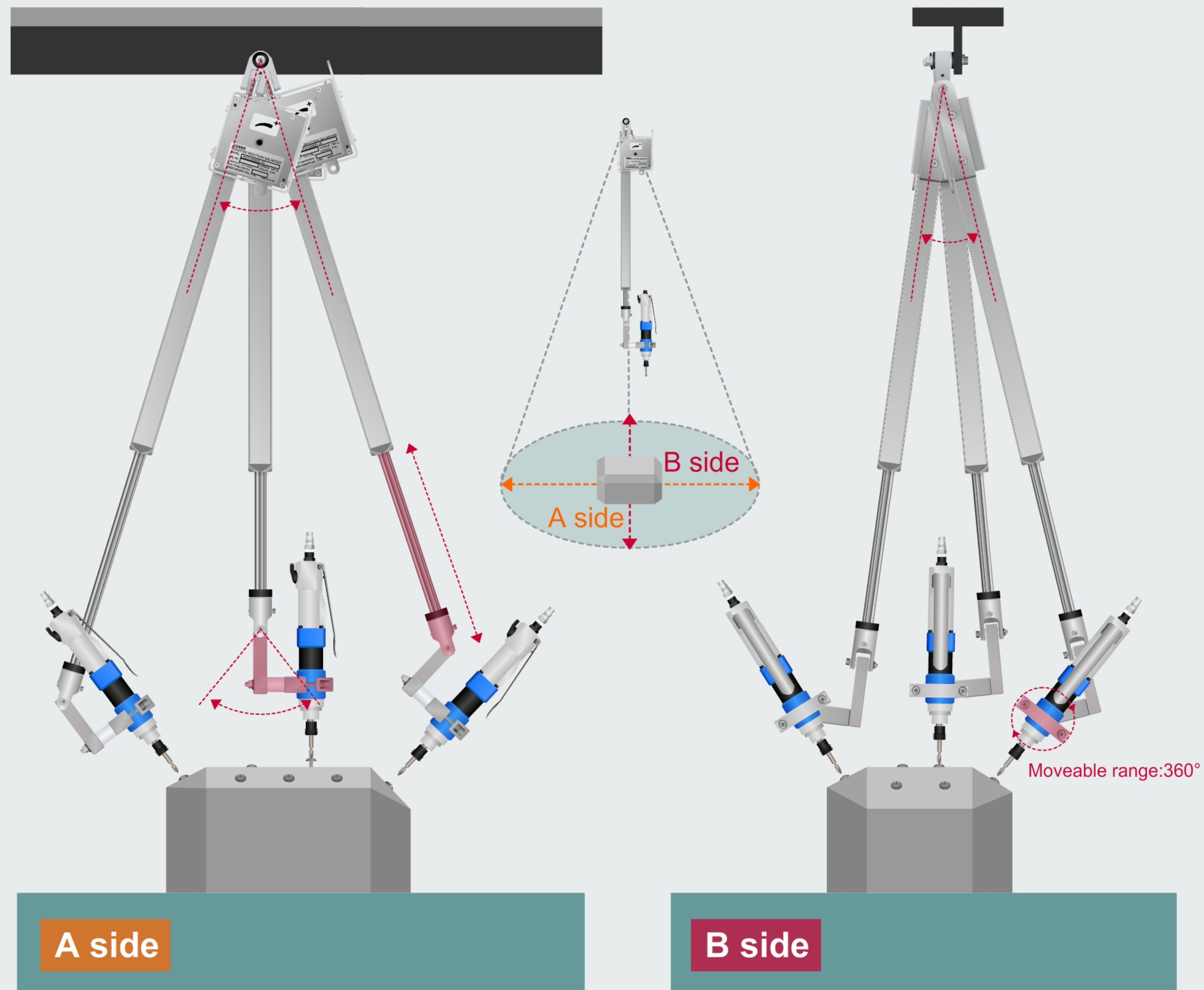
Clamp



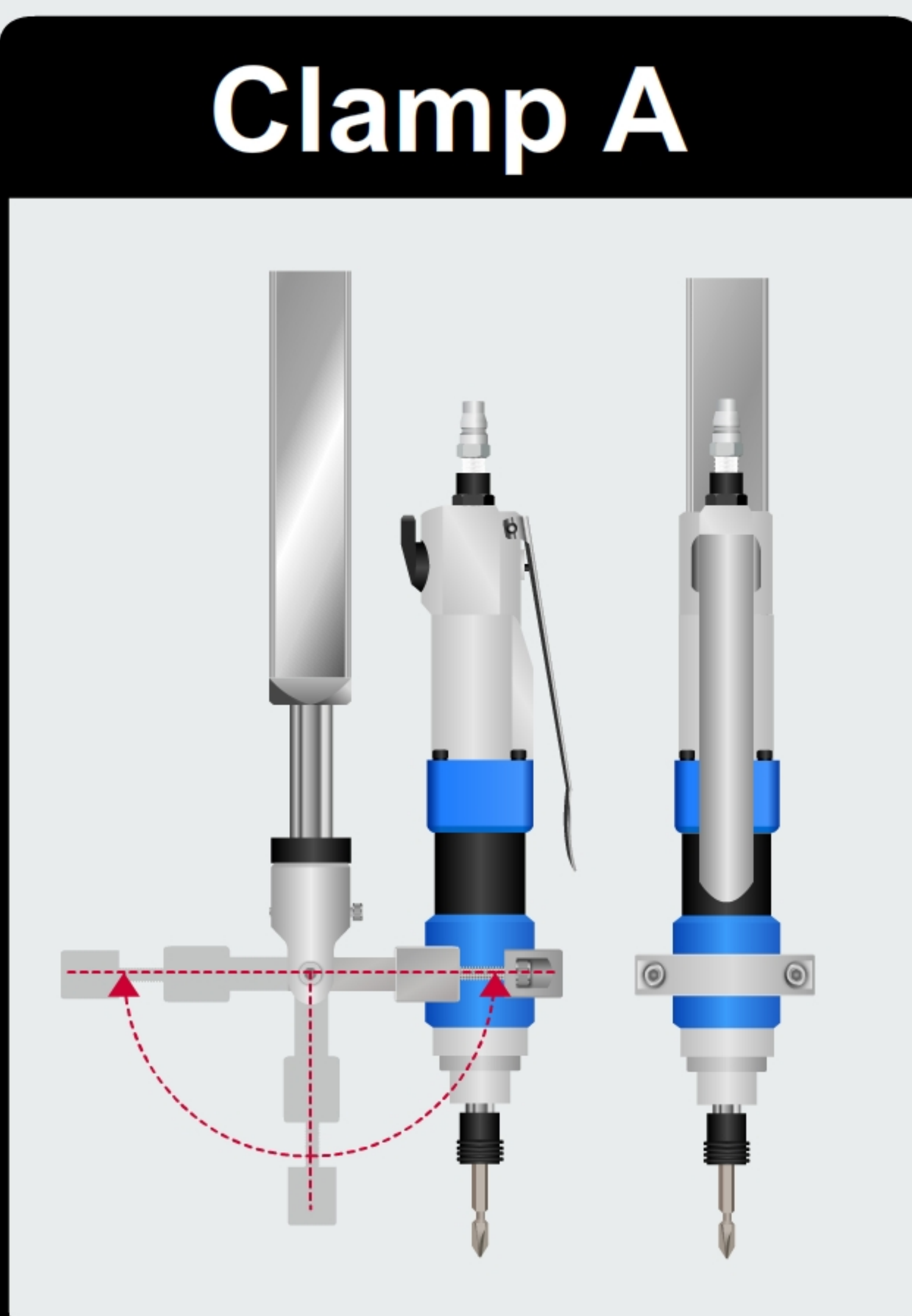
Clamp C

The upper holder moving in the 360° direction and the clamp at hand makes the range of motion wider and make tightening work from all angles easy.

* The working range depends on the main unit installation position from the tightening surface, the pulling angle, the length of the tool and the clamp position.



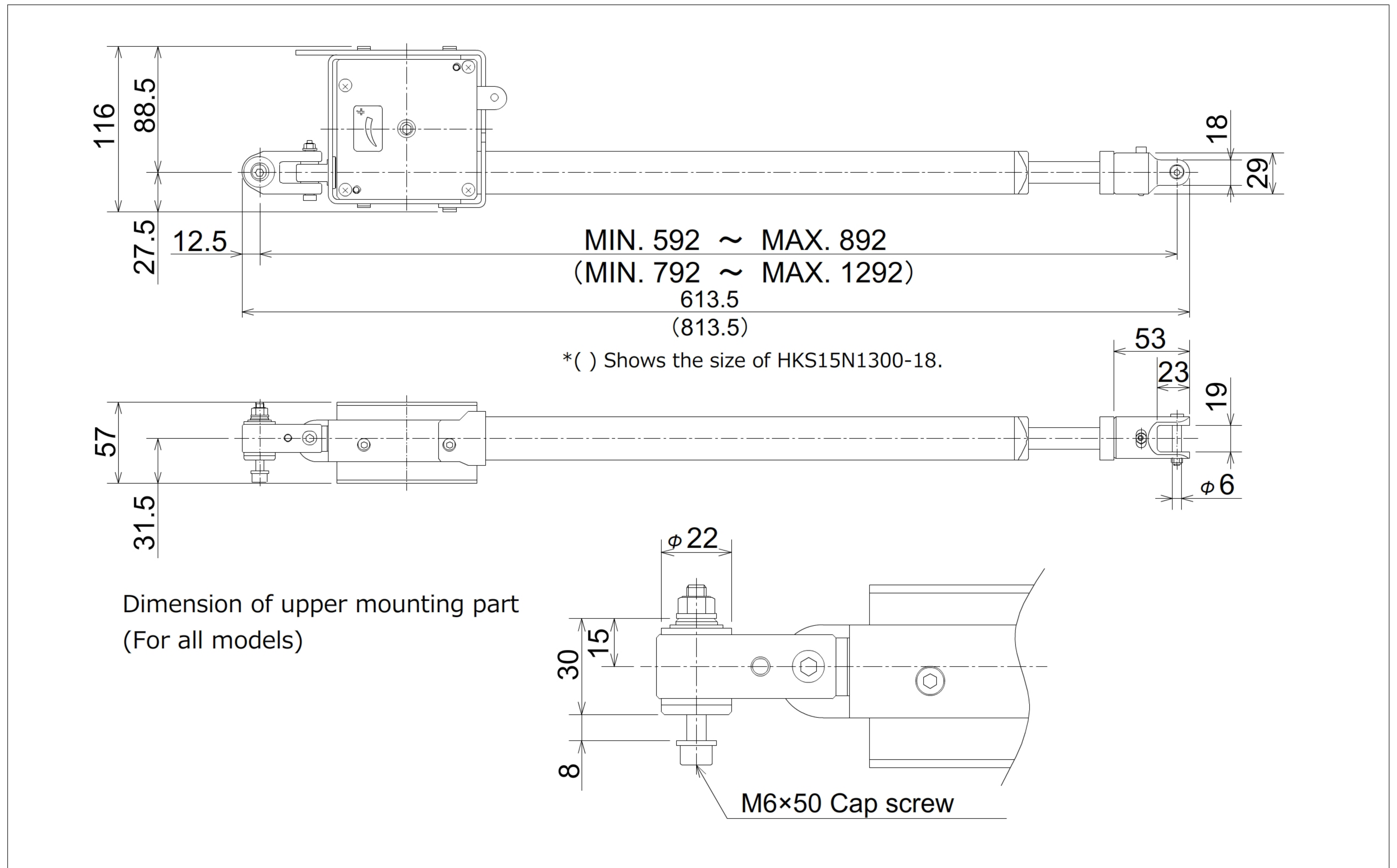
Clamp A



Counter reaction balancer

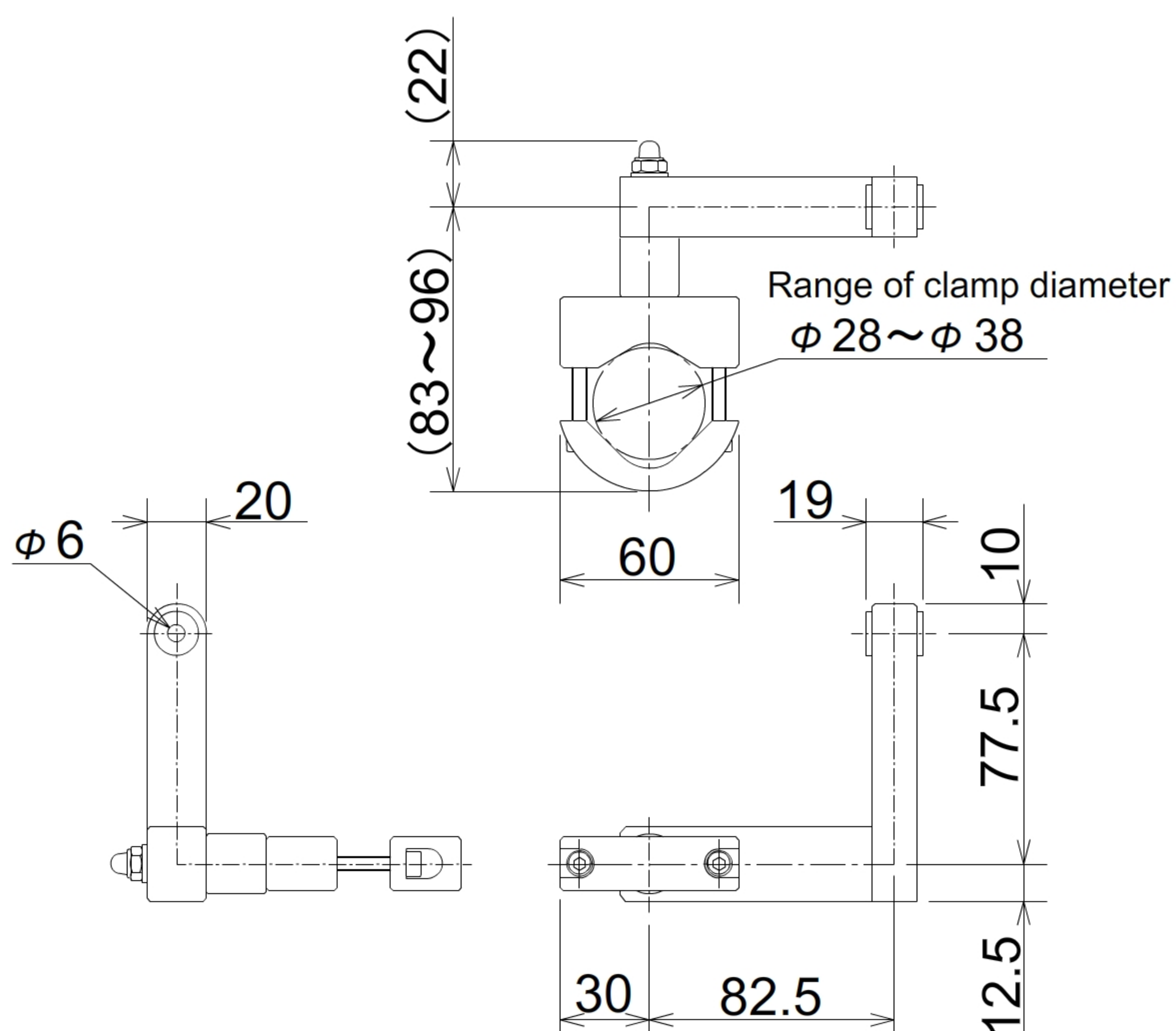
Model	Tightening torque (N·m)	Length (mm)	Stroke (mm)	Mass (kg)
HKS15N900-20	15	892	300	0.5~2
HKS15N1300-18	15	1292	500	0.5~1.8

Dimensions HKS15N900-20 / HKS15N1300-18



Accessories

Clamp C



Clamp A

