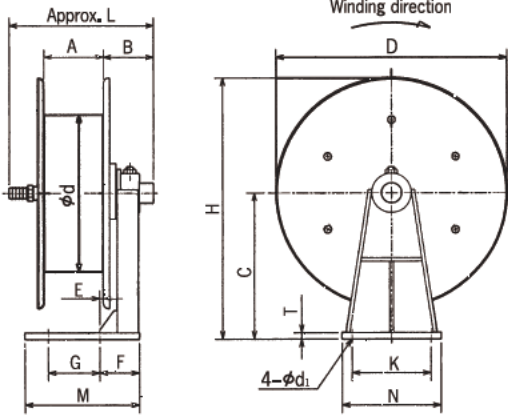


HR TYPE HOSE REEL

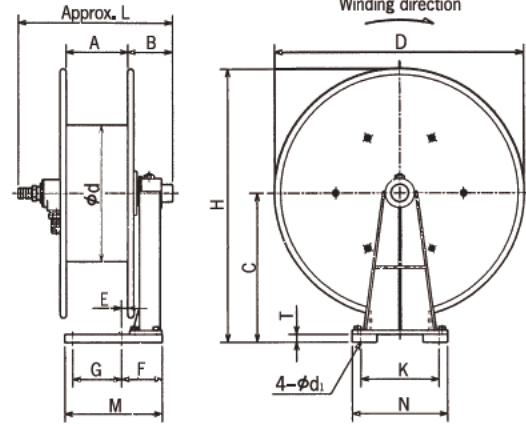
(Standard)

- Max pressure 3.0MPa{30kgf/cm²}
- Working pressure less than 1.5MPa{15kgf/cm²}

●HR-2205~3A516W



●HR-4524~6975T



Specifications and Dimensions

Model	Max Torque N·m(kgf·m)	Max spring tension N(kgf)	Max spring turns n	Connection size Rc	Dimensions (mm)															Mass (kg)
					D	d	A	B	C	H	L	E	G±1	K±1	M	N	F	T	d ₁	
HR-2205	4.9 {0.5}	49{5.0}	20	3/8	292	200	75	64	185	331	185	5.0	65	100	145	125	50.5	8	9	8
HR-2305	4.9 {0.5}	49{ 5.0}	20	3/8	350	200	75	64	215	390	185	5.0	65	100	145	125	50.5	8	9	9
HR-2A305W	4.9 {0.5}	49{ 5.0}	39	3/8	350	200	110	64	215	390	220	22.5	65	100	145	125	68.0	8	9	11
HR-3416	15.6{1.6}	132{13.5}	13	1/2	440	230	75	65	260	480	195	4.0	65	100	145	125	50.5	8	9	12
HR-3A409W	8.8 {0.9}	73{ 7.5}	38	1/2	440	230	110	65	260	480	230	21.5	65	100	145	125	68.0	8	9	16
HR-3A416W	15.6{1.6}	132{13.5}	26	1/2	440	230	110	65	260	480	230	21.5	65	100	145	125	68.0	8	9	16
HR-3A516W	15.6{1.6}	132{13.5}	26	1/2	510	230	110	65	300	555	230	22.5	65	100	160	150	73.5	8	9	20
HR-4524	23.5{2.4}	166{17.0}	13	3/4	510	280	127	90	305	560	320	13.5	100	160	200	195	83.5	16	13	27
HR-4524W	23.5{2.4}	166{17.0}	26	3/4	510	280	127	90	305	560	320	13.5	100	160	200	195	83.5	16	13	32
HR-4524T	23.5{2.4}	166{17.0}	39	3/4	510	280	127	90	305	560	320	13.5	100	160	200	195	83.5	16	13	38
HR-4624W	23.5{2.4}	166{17.0}	26	3/4	630	280	127	90	370	685	320	13.5	100	160	228	200	83.5	16	13	36
HR-4624T	23.5{2.4}	166{17.0}	39	3/4	630	280	127	90	370	685	320	13.5	100	160	228	200	83.5	16	13	41
HR-5736	35.3{3.6}	196{20.0}	13	1	750	360	127	82	435	810	330	13.5	100	160	245	245	94.5	19	13	46
HR-5736W	35.3{3.6}	196{20.0}	26	1	750	360	127	82	435	810	330	13.5	100	160	245	245	94.5	19	13	53
HR-5736T	35.3{3.6}	196{20.0}	39	1	750	360	127	82	435	810	330	13.5	100	160	245	245	94.5	19	13	60
HR-6855	53.9{5.5}	245{25.0}	12	1 1/4	870	440	166	82	500	935	390	23.0	120	200	286	295	104.0	22	13	66
HR-6855W	53.9{5.5}	245{25.0}	24	1 1/4	870	440	166	82	500	935	390	23.0	120	200	286	295	104.0	22	13	77
HR-6855T	53.9{5.5}	245{25.0}	36	1 1/4	870	440	166	82	500	935	390	23.0	120	200	286	295	104.0	22	13	88
HR-6975W	73.5{7.5}	333{34.0}	24	1 1/4	1000	440	166	97	565	1065	390	23.0	120	200	301	335	119.0	22	13	102
HR-6975T	73.5{7.5}	333{34.0}	36	1 1/4	1000	440	166	97	565	1065	390	23.0	120	200	301	335	119.0	22	13	117

NOTE: 1. Suffix -R on all model names identifies reverse winding.

2. Installation plate (base plate) for HR-2205~3A516W is welded. If you prefer to set it reverse, please notify us in advance. Suffix -1 on model name identifies reverse setting.

3. For HR-4524~6975T, setting the installation plate (base plate) reverse is available by yourself, unless the base plate is not welded (special spec.). However, in case of reinforced bracket type (special spec.), the reverse setting is not applied.

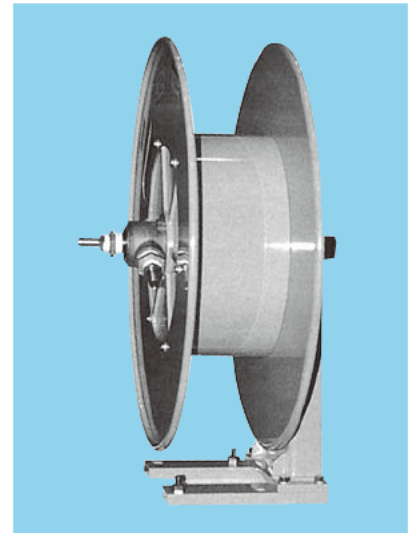
4. For any special fluids, please contact us.

5. For any special requirements, please contact us.

Model description

HR-4524W

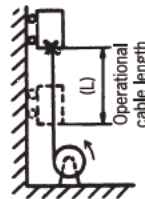
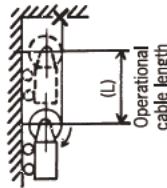
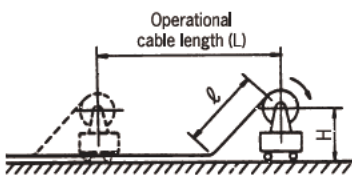
Number of springs
(No mark=1, W=2, T=3)
Spring type
Drum cover dia.
Drum width (A-wide)
Hose reel



Vertical retrieve

Vertical retrieve

Horizontal retrieve



Operational cable length (L) Hose size	HR Type	Mobile application/Horizontal & vertical retrieve, Stationary application/Vertical retrieve					
	5m	10m	15m	20m	25m	30m	35m
$\phi 6.3 \times \phi 13.8$	2205	2305	2A305W	2A305W	3A409W		
$\phi 6.3 \times \phi 14.5$	2205	2305	2A305W	2A305W	3A409W		
$\phi 9.5 \times \phi 17$	2305	2A305W	3A409W	3A409W	4524T	4624T	
$\phi 9.5 \times \phi 18$	2305	2A305W	3A409W	3A409W	4524T	4624T	
$\phi 12.7 \times \phi 20.5$	3416	3A416W	3A516W	4524W	4624T	4624T	5736T
$\phi 12.7 \times \phi 22.5$	3416	3A416W	3A516W	4524W	4624T	4624T	5736T
$\phi 15.9 \times \phi 25$	4524	4524W	4624W	4624W	5736W	5736T	6855T
$\phi 15.9 \times \phi 26$	4524	4524W	4624W	4624W	5736W	5736T	6855T
$\phi 19 \times \phi 27.5$	4524	4624W	4624W	5736W	5736T	5736T	6855T
$\phi 19 \times \phi 30$	5736	5736	5736W	5736W	5736T	6855W	6855T
$\phi 25.4 \times \phi 34$	5736	5736	5736W	6855W	6855W	6855T	6975T
$\phi 25.4 \times \phi 37.5$	6855	6855	6855W	6855W	6855T	6975W	6975T
$\phi 31.8 \times \phi 44$	6855	6855	6855W	6975W	6975W		
$\phi 31.8 \times \phi 47$	6855	6855	6855W	6975W			

NOTE: 1. Calculated at following conditions:

- ① Fluid..... Air
- ② Working pressure..... 1.0MPa {10kgf/cm²}
- ③ Application..... Mobile application/Horizontal & vertical retrieve, Stationary application/Vertical retrieve
- ④ Maximum travel/lift... less than 30mm/min
- ⑤ Installation height ... (HR-2205~3A516W...less than 0.5m)
(HR-4524~6975T...less than 1.0m)

2. Deviations due to roller guides, non-straight cable payout, low ambient temperature, etc. are not calculated. When selecting a model, please take into consideration of high mechanical stress and harsh environment conditions.

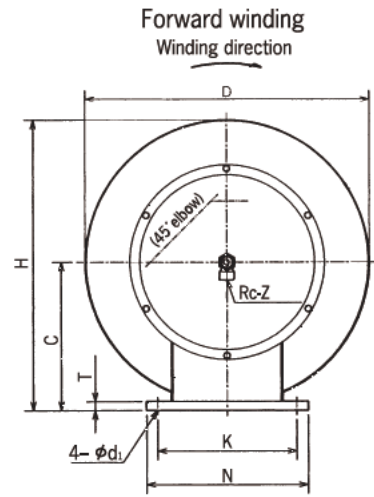
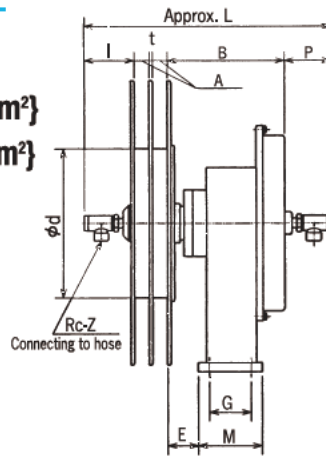
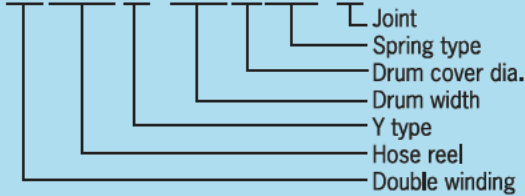
WORRY TYPE HOSE REEL

(High pressure double winding)

- Max pressure 31.5MPa{315kgf/cm²}
- Working pressure ... less than 21.0MPa{210kgf/cm²}

Model description

WORRY-4S655-J



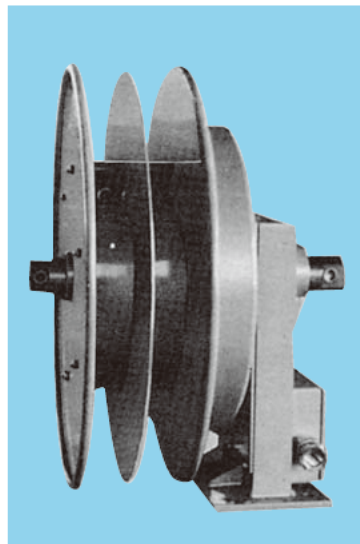
Specifications and Dimensions

Model	Max Torque N·m(kgf·m)	Max spring tension N(kgf)	Max spring turns n	Hose inlet 2-Z Rc	Dimensions (mm)																	Mass (kg)
					D	d	A	B	C	H	I	E	G±1	K±1	M	N	P	L	T	t	d1	
WORRY-3S424-J	23.5(2.4)	196(20)	13	1/4	440	230	17x2	162	265	485	70	30	60	160	90	195	70	346	12	10	13	34
WORRY-3S524-J	23.5(2.4)	196(20)	13	1/4	510	230	17x2	162	265	520	70	30	60	160	90	195	70	346	12	10	13	38
WORRY-4S536-J	35.3(3.6)	245(25)	13	3/8	510	280	25x2	186	265	520	80	30	75	250	115	290	80	398	12	2	18	55
WORRY-4S654-J	52.9(5.4)	382(39)	15	3/8	630	280	25x2	206	350	665	80	30	85	300	125	340	80	418	12	2	18	75
WORRY-4S655-J	53.9(5.5)	382(39)	12	1/2	630	280	30x2	200	265	580	92	30	75	250	115	290	90	444	12	2	18	75
WORRY-5S775-J	73.5(7.5)	402(41)	12	1/2	750	360	30x2	206	350	725	95	30	85	300	125	340	90	453	12	2	18	80
WORRY-6S775-J	73.5(7.5)	333(34)	12	3/4	750	440	40x2	206	350	725	110	30	85	300	125	340	105	503	12	2	18	80
WORRY-6S8150-J	147.0(15.0)	666(68)	12	3/4	870	440	40x2	283	350	785	110	30	85	300	125	340	110	585	12	—	18	110

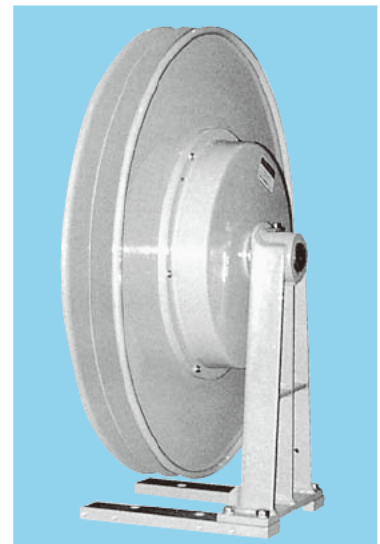
- NOTE: 1. Suffix -R on all model names identifies reverse winding.
 2. 45 angles elbow (equal to YOKOHAMA HYDEX #1035) for hose connection is attached to the cable reel.
 3. High resistance to pressurization and high flexibility is recommended for a hose.
 4. When using a long cable, please select a twin hose with W/B.
 5. For any special fluids, please contact us.
 6. For any special requirements, please contact us.

※In case of the application for General-Purpose Mineral Hydraulic Oil:
 -WORRY type for high pressure use (21.0MPa (210kgf/cm²)),
 -WHRY type for low pressure use (1.5MPa (15kgf/cm²)),
 are required to change only the hose joint.

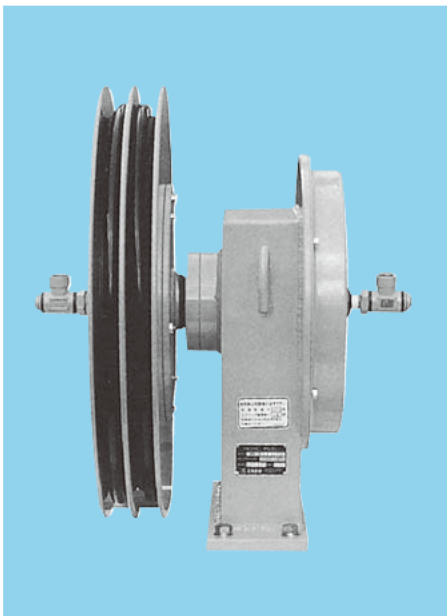
Forth winding



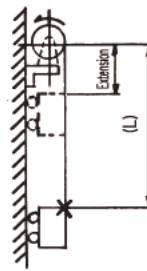
Double winding



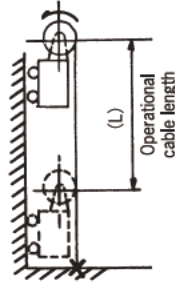
Forth and double winding listed above are customized upon request.



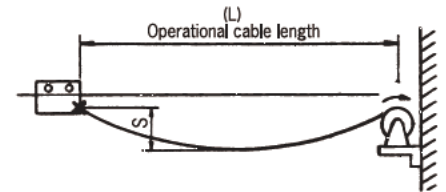
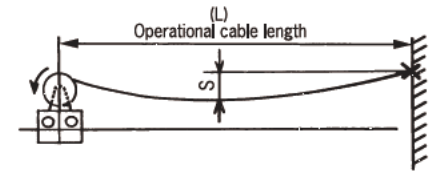
Vertical lift



Vertical lift



Horizontal stretch



Application	Hose	Operational cable length (L)(m)										
		NWP140 1/4	NWP210 1/4	NWP140 3/8	NWP210 3/8	NWP140 1/2	NWP210 1/2	NWP140 3/4	NWP210 3/4	NWP140 1	NWP210 1	
		Weight kg/m	0.175	0.18	0.22	0.36	0.34	0.49	0.79	0.93	1.17	1.38
Model	Outside dia. mm	12.3	12.4	15.0	16.7	19.1	20.4	27.9	28.7	35.4	35.9	
Moving reel/Vertical lift Fixed reel/Vertical lift	WORY-3S424-J	6	6									
	WORY-3S524-J	9	9									
	WORY-4S536-J			6	6							
	WORY-4S654-J			11	11							
	WORY-4S655-J					10	8.5					
	WORY-5S775-J					13	12					
	WORY-6S775-J							7	6.5			
	WORY-6S8150-J							12	12			
Mobile or Stationary application/Horizontal stretch	WORY-3S424-J	6	6									
	WORY-3S524-J	9	8									
	WORY-4S536-J			6	5							
	WORY-4S654-J			11	8							
	WORY-4S655-J					7	5.5					
	WORY-5S775-J					8	6					
	WORY-6S775-J							3.5	3			
	WORY-6S8150-J							7	6			

NOTE: 1. Calculated at following conditions:

- ① Fluid.....General Purpose Mineral Hydraulic Oil
- ② Working pressure.....less than 21.0MPa {210kgf/cm²}
- ③ Application.....Fixed reel/Vertical lift, Moving reel/Vertical lift, Mobile or Stationary application/Horizontal stretch
- ④ Maximum travel/lift...less than 30mm/min

2. Deviations due to roller guides, non-straight cable payout, low ambient temperature, etc. are not calculated.

When selecting a model, please take into consideration of high mechanical stress and harsh environment conditions.

3. In case of Vertical lift, operational cable length (L) includes extension length.

4. In case of Horizontal stretch, Sag factor (S)=L x 6% includes extensions.