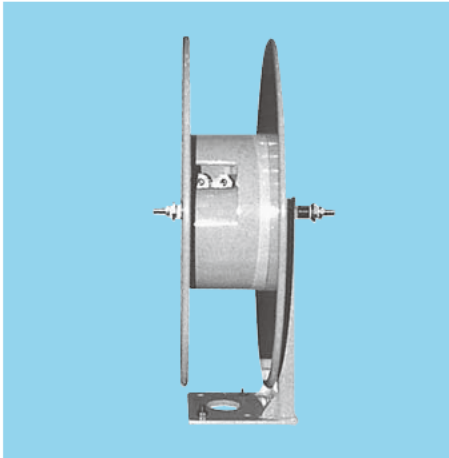


WHR TYPE HOSE REEL

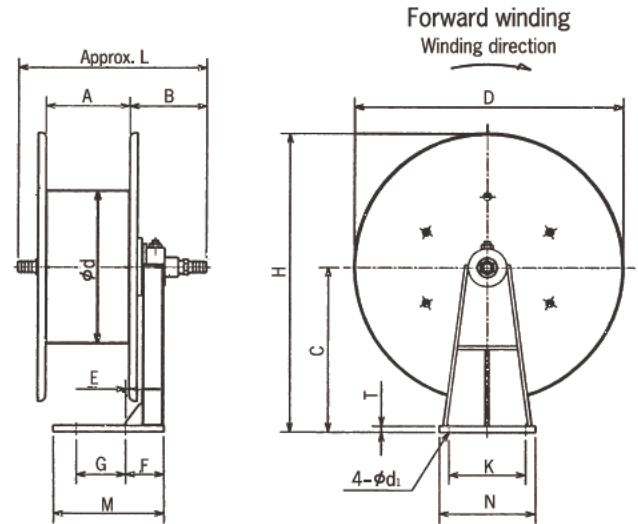
(Low pressure double winding)

- Max pressure 3.0MPa{30kgf/cm²}
- Working pressure ... less than 1.5MPa{15kgf/cm²}



Model description

WHR-3A516W



Specifications and Dimensions

Model	Max Torque N·m(kgf·m)	Max spring tension N(kgf)	Max spring turns n	Connection size Rc	Dimensions (mm)															Mass (kg)
					D	d	A	B	C	H	L	E	G±1	K±1	M	N	F	T	d1	
WHR-2A305	4.9(0.5)	49(5.0)	20	3/8	350	200	110	102	215	390	249	22.5	65	100	145	125	68.0	8	9	10
WHR-3A409	8.8(0.9)	73(7.5)	19	3/8	440	230	110	102	260	480	249	22.5	65	100	145	125	68.0	8	9	12
WHR-3A516	15.6(1.6)	132(13.5)	13	1/2	510	230	110	106	300	555	267	22.5	65	100	160	150	73.5	8	9	17
WHR-3A516W	15.6(1.6)	132(13.5)	26	1/2	510	230	110	106	300	555	303	22.5	65	100	160	150	73.5	8	9	20

NOTE: Only forward winding is available.

Max operational cable length (Mobile application/Horizontal & vertical retrieve, Stationary application/Vertical retrieve)

Model	Operational cable length (L) (m)	Outside dia.			
		φ 14	φ 17	φ 20	φ 23
WHR-2A305		9	6	4	
WHR-3A409		15	11	7	
WHR-3A516			11	11	9
WHR-3A516W		20	16	11	

NOTE: 1. Calculated at following conditions:

- ① Fluid Air
- ② Working pressure 1.0MPa {10kgf/cm²}
- ③ Application Mobile application/Horizontal & vertical retrieve, Stationary application/Vertical retrieve
- ④ Maximum travel/lift ... less than 30mm/min

2. Deviations due to roller guides, non-straight cable payout, low ambient temperature, etc. are not calculated. When selecting a model, please take into consideration of high mechanical stress and harsh environment conditions.

