

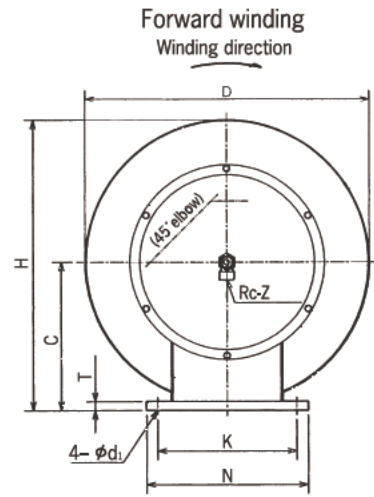
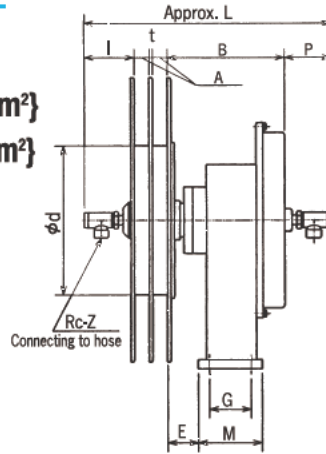
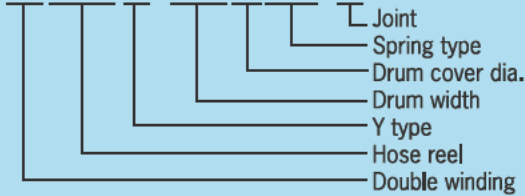
WORRY TYPE HOSE REEL

(High pressure double winding)

- Max pressure 31.5MPa{315kgf/cm²}
- Working pressure ... less than 21.0MPa{210kgf/cm²}

Model description

WORRY-4S655-J



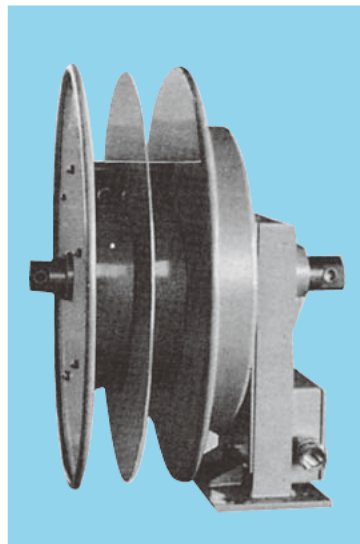
Specifications and Dimensions

Model	Max Torque N·m(kgf·m)	Max spring tension N(kgf)	Max spring turns n	Hose inlet 2-Z Rc	Dimensions (mm)																	Mass (kg)
					D	d	A	B	C	H	I	E	G±1	K±1	M	N	P	L	T	t	d1	
WORRY-3S424-J	23.5(2.4)	196(20)	13	1/4	440	230	17x2	162	265	485	70	30	60	160	90	195	70	346	12	10	13	34
WORRY-3S524-J	23.5(2.4)	196(20)	13	1/4	510	230	17x2	162	265	520	70	30	60	160	90	195	70	346	12	10	13	38
WORRY-4S536-J	35.3(3.6)	245(25)	13	3/8	510	280	25x2	186	265	520	80	30	75	250	115	290	80	398	12	2	18	55
WORRY-4S654-J	52.9(5.4)	382(39)	15	3/8	630	280	25x2	206	350	665	80	30	85	300	125	340	80	418	12	2	18	75
WORRY-4S655-J	53.9(5.5)	382(39)	12	1/2	630	280	30x2	200	265	580	92	30	75	250	115	290	90	444	12	2	18	75
WORRY-5S775-J	73.5(7.5)	402(41)	12	1/2	750	360	30x2	206	350	725	95	30	85	300	125	340	90	453	12	2	18	80
WORRY-6S775-J	73.5(7.5)	333(34)	12	3/4	750	440	40x2	206	350	725	110	30	85	300	125	340	105	503	12	2	18	80
WORRY-6S8150-J	147.0(15.0)	666(68)	12	3/4	870	440	40x2	283	350	785	110	30	85	300	125	340	110	585	12	-	18	110

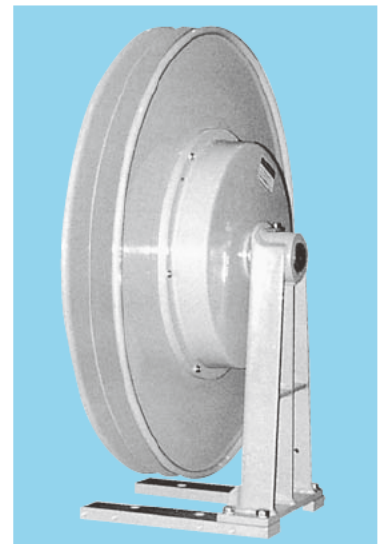
- NOTE: 1. Suffix -R on all model names identifies reverse winding.
 2. 45 angles elbow (equal to YOKOHAMA HYDEX #1035) for hose connection is attached to the cable reel.
 3. High resistance to pressurization and high flexibility is recommended for a hose.
 4. When using a long cable, please select a twin hose with W/B.
 5. For any special fluids, please contact us.
 6. For any special requirements, please contact us.

※In case of the application for General-Purpose Mineral Hydraulic Oil:
 -WORRY type for high pressure use (21.0MPa (210kgf/cm²)),
 -WHRY type for low pressure use (1.5MPa (15kgf/cm²)),
 are required to change only the hose joint.

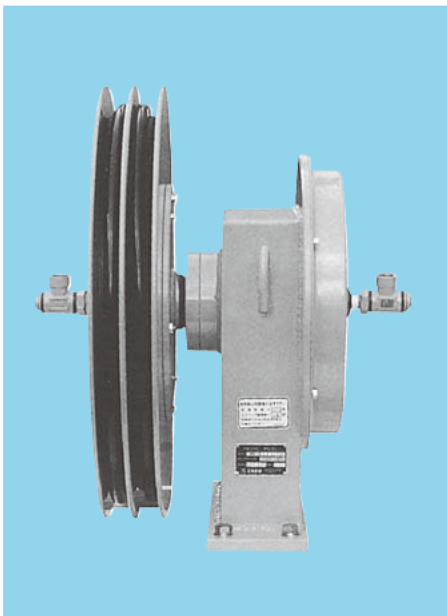
Forth winding



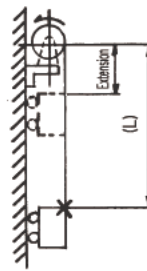
Double winding



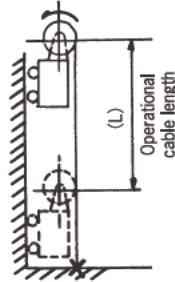
Forth and double winding listed above are customized upon request.



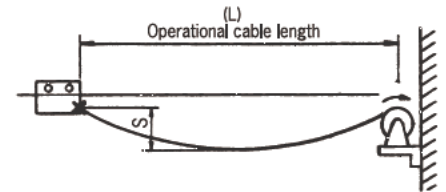
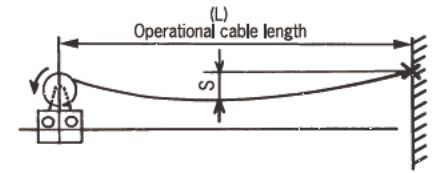
Vertical lift



Vertical lift



Horizontal stretch



Application	Hose	Operational cable length (L)(m)										
		NWP140 1/4	NWP210 1/4	NWP140 3/8	NWP210 3/8	NWP140 1/2	NWP210 1/2	NWP140 3/4	NWP210 3/4	NWP140 1	NWP210 1	
		Weight kg/m	0.175	0.18	0.22	0.36	0.34	0.49	0.79	0.93	1.17	1.38
Model	Outside dia. mm	12.3	12.4	15.0	16.7	19.1	20.4	27.9	28.7	35.4	35.9	
Moving reel/Vertical lift Fixed reel/Vertical lift	WORY-3S424-J	6	6									
	WORY-3S524-J	9	9									
	WORY-4S536-J			6	6							
	WORY-4S654-J			11	11							
	WORY-4S655-J					10	8.5					
	WORY-5S775-J					13	12					
	WORY-6S775-J							7	6.5			
	WORY-6S8150-J							12	12			
Mobile or Stationary application/Horizontal stretch	WORY-3S424-J	6	6									
	WORY-3S524-J	9	8									
	WORY-4S536-J			6	5							
	WORY-4S654-J			11	8							
	WORY-4S655-J					7	5.5					
	WORY-5S775-J					8	6					
	WORY-6S775-J							3.5	3			
	WORY-6S8150-J							7	6			

NOTE: 1. Calculated at following conditions:

- ① Fluid.....General Purpose Mineral Hydraulic Oil
- ② Working pressure.....less than 21.0MPa {210kgf/cm²}
- ③ Application.....Fixed reel/Vertical lift, Moving reel/Vertical lift, Mobile or Stationary application/Horizontal stretch
- ④ Maximum travel/lift...less than 30mm/min

2. Deviations due to roller guides, non-straight cable payout, low ambient temperature, etc. are not calculated.

When selecting a model, please take into consideration of high mechanical stress and harsh environment conditions.

3. In case of Vertical lift, operational cable length (L) includes extension length.

4. In case of Horizontal stretch, Sag factor (S)=L x 6% includes extensions.