

A white and grey industrial robot arm, model MZ07, is shown in the foreground. The arm is positioned vertically, with its end effector pointing to the left. The word "NACHI" is printed in red on the upper arm section, and "MZ07" is printed in red on the lower arm section. In the background, several other robot arms are visible, rendered in a semi-transparent blue color, creating a sense of motion and depth. The overall scene is set against a dark blue background with glowing blue light trails.

NACHI

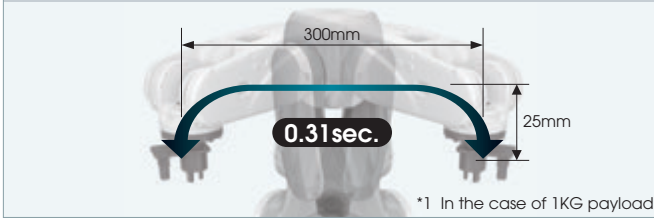
***Introducing
the World's Fastest
Lightweight,
Compact Robot – MZ07***

Fastest robot in the world*

*Maximum speed by the motion of all axes

Light arm and latest motion control technology enabled the fastest robot in the world. This contributes to the improvement of productivity.

Standard Cycle Time Evaluation (go and back) *1



Basic specification of robot

Item		Specification	
Robot Model		MZ07-01	MZ07L-01
Number of Axis		6	
Drive System		AC Servo Drive	
Max. Speed*2	Arm	J1 Swivel	7.85 rad/s (450°/s) 5.24 rad/s (300°/s)
		J2 Forward/Backward	6.63 rad/s (380°/s) 4.89 rad/s (280°/s)
		J3 Upward/Downward	9.08 rad/s (520°/s) 6.28 rad/s (360°/s)
	Wrist	J4/J5 Rotation 2/Bend	9.60 rad/s (550°/s)
		J6 Rotation 1	17.5 rad/s (1000°/s)
		Max. Payload	7 kg
Allowable Static Loading Torque	J4/J5 Rotation 2/Bend	16.6 N·m	
	J6 Rotation 1	9.4 N·m	
Max. Reach	723 mm 912 mm		
Position Repeatability*1	±0.02 mm ±0.03 mm		
Ambient Conditions	0~45°C		
Installation	Floor / Wall / Tilted / Invert mount		
Dust Proof, Drip Proof	IP67		
Robot Mass*3	36 kg	38 kg	

1 (rad)=180/π (°), 1 (N·m)=1/9.8(kgf·m) *1 JIS B 8432 compliant.
 *2 The 'Max Speed' in this table is the available maximum value and will change depending on the workprogram and the wrist load condition.
 *3 Wall mount Rear Connection Type +6kg Bottom Connection Type +8kg

Specification of controller

Item	Specification
Controlled Axis	6-Axes
Maximum Control Axis	7-Axes
Program Number	9,999 programs
Memory Capacity	256MB (2,560,000 program steps equivalent)
Memory Device	USB Port
External Dimension	369(W)×490(D)×173(H)
Weight	Approx. 17kg
Primary Power Supply	3-Phase AC200-230V ±10% Single Phase AC200-230V ±10%
Consuming Power	0.4KVA
Dust Proof, Drip Proof	IP20
Ambient Temperature	0~40°C
Ambient Humidity	20~85% (Non-condensing)

Smart Cable Routing

Cable and tubes can be routed through hollow wrist

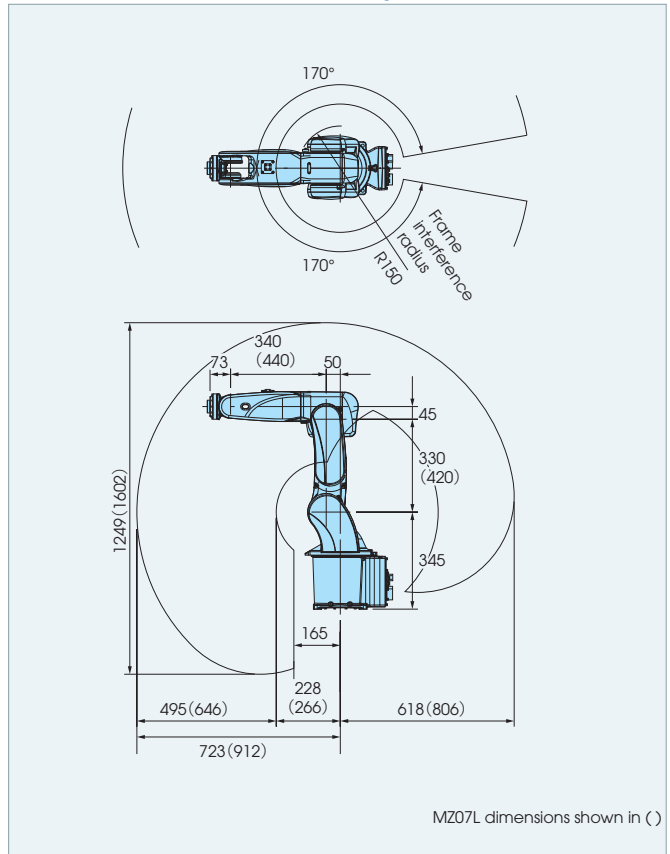


Cable routing improved

avoids interference with peripheral equipment
 allows the arm to enter tight spaces
 improved reliability with stable cable behavior during high speed operation



Robot dimensions and Working envelope



Application Examples



Machine Loading



Assembling



Deburring



Packing

NACHI

NACHI-FUJIKOSHI CORP.

www.nachi.com

Head Office Shiodome Sumitomo Bldg. 17F, 1-9-2 Higashi-Shinbashi, Minato-ku, Tokyo 105-0021
Robot Division 1-1-1 Fujikoshi-Honmachi, Toyama 930-8511, JAPAN

Tel: +81-(0)3-5568-5247
 Tel: +81-(0)76-456-2223

Fax: +81-(0)3-5568-5237
 Fax: +81-(0)76-493-5251

NACHI ROBOTIC SYSTEMS INC.
 NACHI AMERICA INC. HEADQUARTERS
 NACHI CANADA INC.
 NACHI MEXICO, S.A. DE C.V.
 NACHI BRASIL LTDA.
 NACHI EUROPE GmbH
 NACHI TECHNOLOGY (THAILAND) CO., LTD.
 NACHI SINGAPORE PTE. LTD.
 PT.NACHI INDONESIA
 NACHI TECHNOLOGY INDIA PVT. LTD.
 NACHI (AUSTRALIA) PTY. LTD.
 NACHI-FUJIKOSHI (CHINA) CO., LTD.

Michigan, U.S.A. Tel: +1-248-305-6545
 Indiana, U.S.A. Tel: +1-317-530-1001
 CANADA Tel: +1-905-660-0088
 MEXICO Tel: +52-442-153-2424
 BRASIL Tel: +55-11-4793-8800
 GERMANY Tel: +49-(0)2151-65046-0
 THAILAND Tel: +66-2-714-0008
 SINGAPORE Tel: +65-65587393
 INDONESIA Tel: +62-21-527-2841
 INDIA Tel: +91-(0)12-4450-2900
 N.S.W. AUSTRALIA Tel: +61-(0)2-9898-1511
 CHINA Tel: +86-(0)21-6915-2200

Fax: +1-248-305-6542
 Fax: +1-317-530-1011
 Fax: +1-905-660-1146
 Fax: +52-442-153-2435
 Fax: +55-11-4793-8870
 Fax: +49-(0)2151-65046-90
 Fax: +66-2-714-0740
 Fax: +65-65587371
 Fax: +62-21-527-3029
 Fax: +91-(0)12-4450-2910
 Fax: +61-(0)2-9898-1678
 Fax: +86-(0)21-6915-5427

http://www.nachirobotics.com
 http://www.nachi-america.com/
 http://www.nachicanada.com/
 http://www.nachi.com.mx/
 http://www.nachi.com.br/
 http://www.nachi.de/
 http://www.nachi.co.th/
 http://www.nachinip.com.sg/
 http://www.nachi.co.id/
 http://www.nachi.com.au/
 https://www.nachi.com.cn/

●The specifications are subject to changes without notice.
 ●In case that an end user uses this product for military purpose or production of weapon, this product may be liable for the subject of export restriction stipulated in the Foreign Exchange and Foreign Trade Act. Please go through careful investigation and necessary formalities for export.

CATALOG NO. R7701E-3

2019.01.*-ABE-ABE