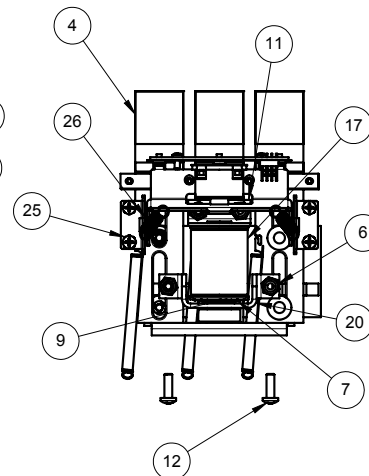
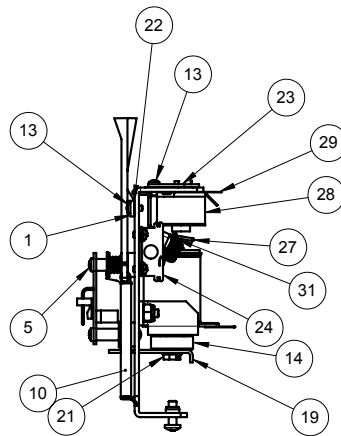
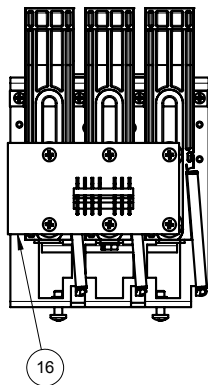
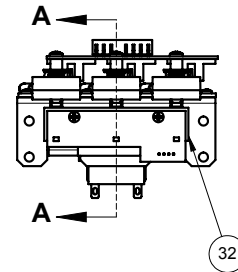
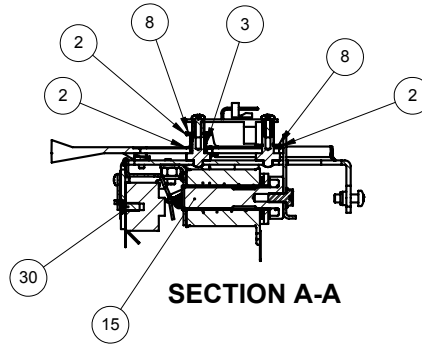
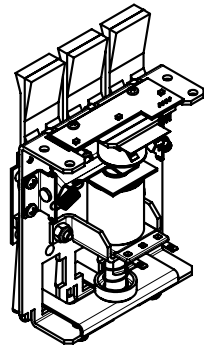


5.20 3-BANK DROP TARGET W/ TRIP ASSEMBLY

500-1083-03-00



ID	Part Number	Description	Qty
1	545-6163-03	LEDGE, 3-BANK DROP TARGET	1
2	242-5091-00	WASHER, 1/2 X 17/64 X .03 - DT	9
3	266-5089-00	SPRING COMPRESSION - DT	3
4	545-6305-00	TARGET - ROLLOVER - BLACK	3
5	237-5501-00	SCREW, 6-32 X 3/8" PPH MS ZINC	6
6	240-5102-00	8-32 NYLON LOCK NUT	4
7	269-5002-00	SPRING WASHER	1
8	270-5002-00	RETAINING RING - 1/4"	6
9	266-5020-00	COMPRESSION SPRING-CONICAL	1
10	265-5003-02	TARGET RESET SPRING	3
11	535-9959-00	STOP BRKT	1
12	237-5602-00	SCREW, 8-32 X 1/2" PPH MS ZINC	2
13	237-6169-00	SCREW, 4-40 X 1/4 PPH MS	6
14	530-5757-00	PLUNGER - D.T. ASSY.	1
15	545-5076-01	COIL SLEEVE	1
16	520-5252-13	3 BANK DROP TARGET PCB-OPTO, W/ RIGHT ANGLE CONN	1

17	090-5034-ND	COIL 25-1240 - NO DIODE	1
18	515-7771-03	FRAME ASSY, 3-BANK DROP TARGET W/ TRIP	1
19	535-9996-03	LIFT BRACKET - 3 BANK	1
20	535-9995-01	COIL BRACKET	1
21	237-5985-00	SCREW, 10-32 X 3/8" HWH SWAGE	1
22	545-6798-00	SHIM - FICHE PAPER - D.T. SINGLE	2
23	520-7092-00	PCB, 3-BANK DT WHITE LED	1
24	515-9960-00	PIVOT BRACKET - RESET D.T.	2
25	232-5209-00	SCREW, 6-32 X 3/16" PPH SEMS	4
26	545-9794-00	SPLIT BEARING - 4MM	2
27	535-1470-03	RESET ACTUATOR - 3 BANK D.T.	1
28	090-5031-00-ND	COIL, 32-1800, NO DIODE	1
29	545-9930-00	FISH PAPER	1
30	237-6030-00	SCREW, 8-32 X 3/8" PFH 82° U/C MS	1
31	265-5002-00	TRIP SPRING - TARGET	2
32	545-9930-01	FISH PAPER, 3-BANK LED PCB	1