

Quila



schiaavello

Knowledge-led innovation

Schiavello's future-focused design philosophy is founded on extensive research conducted by our Schiavello Design Studio and People and Culture Consulting teams. Led by strategic insight into how businesses and employees function, these products help achieve goals and solve problems within the workspace furniture industry.

Contents

Designer

1 — 2

Understated character

5 — 6

Considered size and shape

7 — 8

Suitable for a range of settings

9 — 10

Specifications

11 — 16

ColourLab

17 — 22

SCHIAVELLO DESIGN STUDIO

The Schiavello Design Studio is made up of a number of multi-disciplinary designers and engineers with expertise in industrial design, interior design and product engineering. Supported by an array of trade-based professionals, the technically focused team brings a diverse expertise to new and evolved product development.

Maintaining thoughtful, innovative and research-driven outlooks on workplace design, the Schiavello Design Studio has been the driving force behind a number of the company's most successful solutions. The most notable concepts include Krossi – the first and only Australian made and designed sit/stand desk – in 2013, the pioneering Climate malleable workplace system in 2010, the industry-leading acoustics 'room within a room', Focus Quiet Room collection in 2019 and the innovative Valli Sofa collection in 2022.

The studio continues to develop solutions catering to changing typology, business and people needs and technology requirements. All while maintaining product quality, longevity, effortless visual appeal and environmental sustainability.



Introducing Quila Table

Understated character

Quila is a contemporary collection of tables and desks, crafted in solid timber. Derived from 'tranquilla' (Italian for quiet), Quila's timeless, understated character and light form allows it to support a diverse range of activities and aesthetics. Its solid American Oak leg frames and timber veneer or laminate tabletops are available in a range of ColourLab finishes.



Considered shape and size

Quila Table



7 — 8



Complementing the cylindrical leg design of the Rib seating collection, Quila's standard finish of natural American oak with an elegant, matching square edge delivers a timeless quality.

Considered
size and shape

Depending on the size and top you choose, the clean, understated design language allows it to suit a diverse range of contemporary interior spaces - as a meeting table, a desk or even a communal dining table. Available with a square or shark nose edge in a number of sizes, Quila can also be placed side by side to create larger, functional areas.

Suitable for a range of settings

Alongside its refined design language, Quila's soft, crafted timber finish and clearance height also delivers suitability across a range of industry settings, including the aged care sector and hospitality.

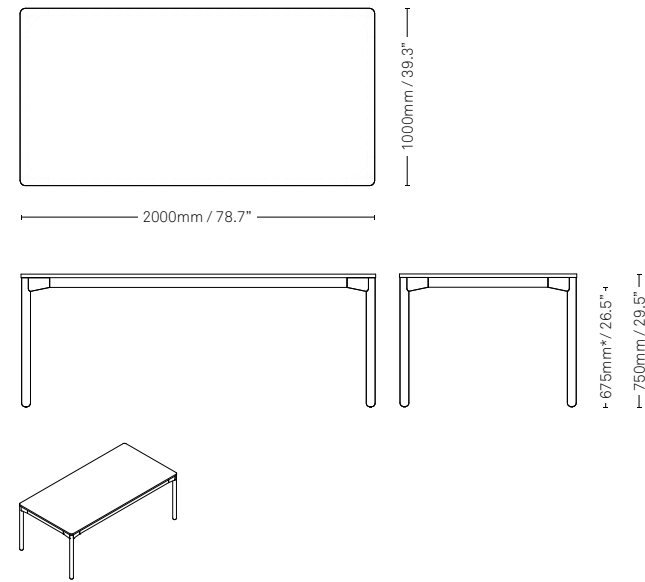


Specifications

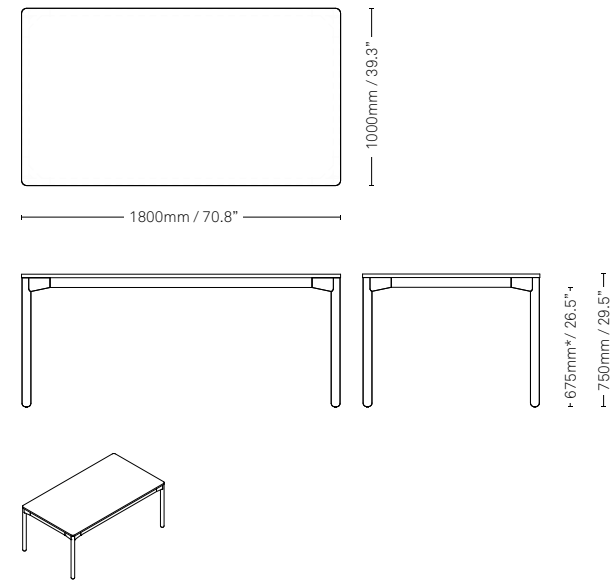
Specifications

Functionality and versatility lies at the heart of the design.

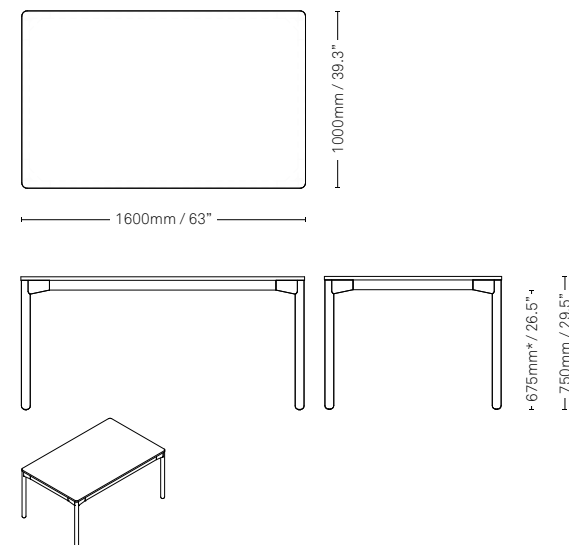
Rectangle
 2000mm (L) x **1000mm** (W) x 750mm (H)
 78.7" (L) x 39.3" (W) x 29.5" (H)
 Square Edge Only



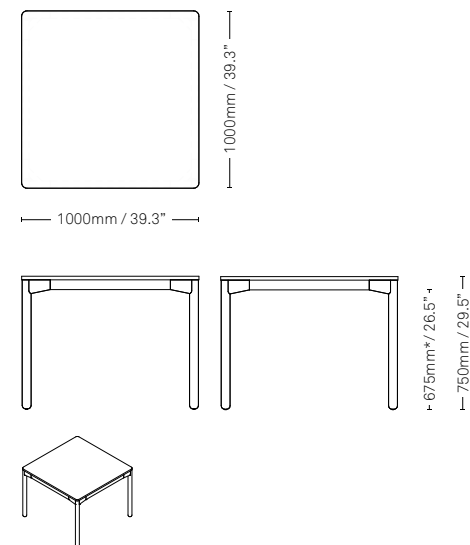
Rectangle
 1800mm (L) x **1000mm** (W) x 750mm (H)
 70.8" (L) x 39.3" (W) x 29.5" (H)
 Square Edge Only



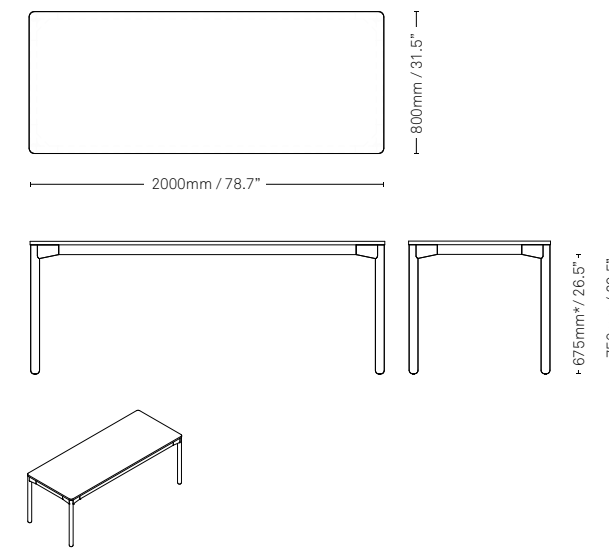
Rectangle
 1600mm (L) x **1000mm** (W) x 750mm (H)
 63" (L) x 39.3" (W) x 29.5" (H)
 Square Edge Only



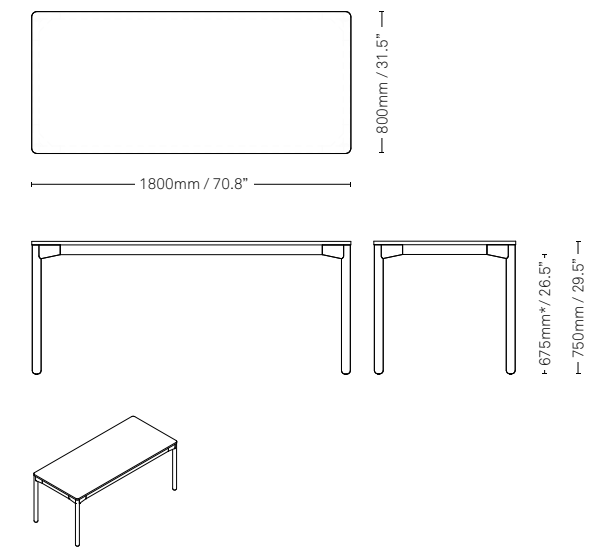
Square
 1000mm (L) x **1000mm** (W) x 750mm (H)
 39.3" (L) x 39.3" (W) x 29.5" (H)
 Square Edge Only



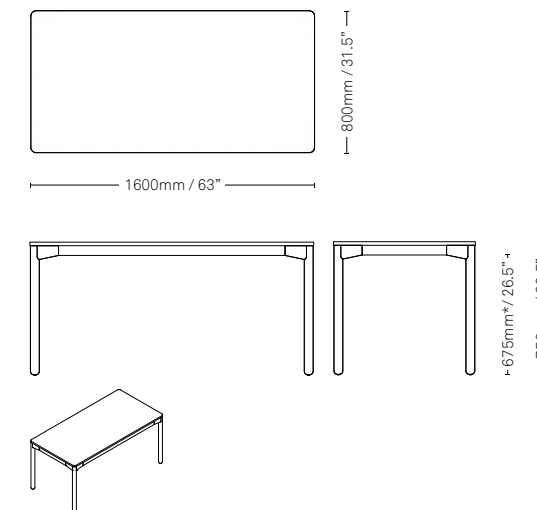
Rectangle
 2000mm (L) x **800mm** (W) x 750mm (H)
 78.7" (L) x 31.5" (W) x 29.5" (H)
 Square Edge Only



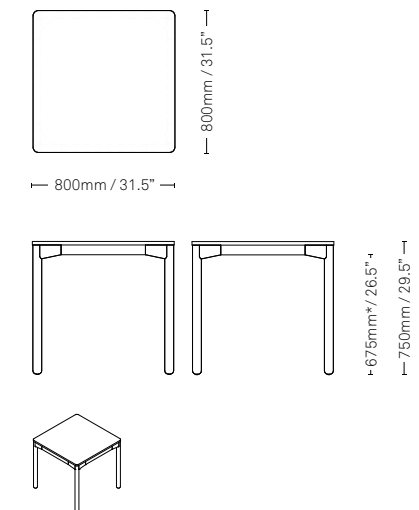
Rectangle
 1800mm (L) x **800mm** (W) x 750mm (H)
 70.8" (L) x 31.5" (W) x 29.5" (H)
 Square Edge Only



Rectangle
 1600mm (L) x **800mm** (W) x 750mm (H)
 63" (L) x 31.5" (W) x 29.5" (H)
 Square Edge Only



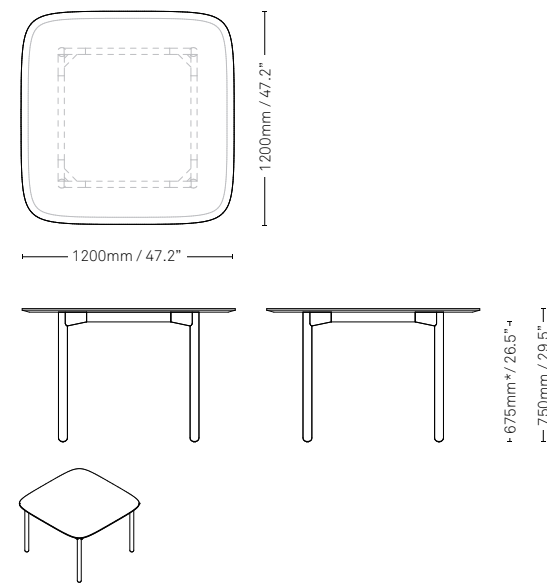
Square
 800mm (L) x **800mm** (W) x 750mm (H)
 31.5" (L) x 31.5" (W) x 29.5" (H)
 Square Edge Only



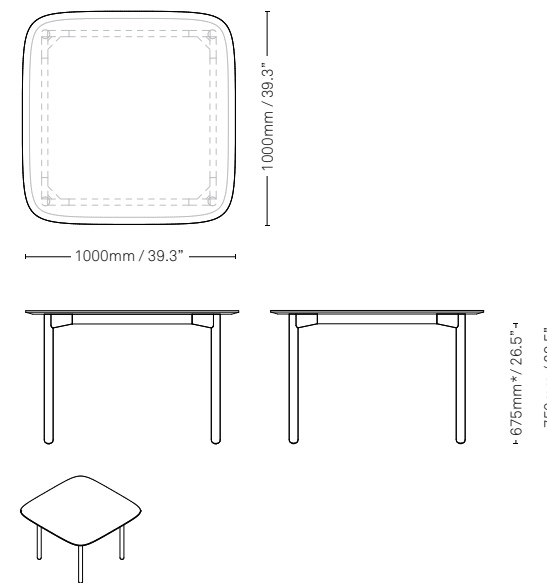
Specifications

Functionality and versatility lies at the heart of the design.

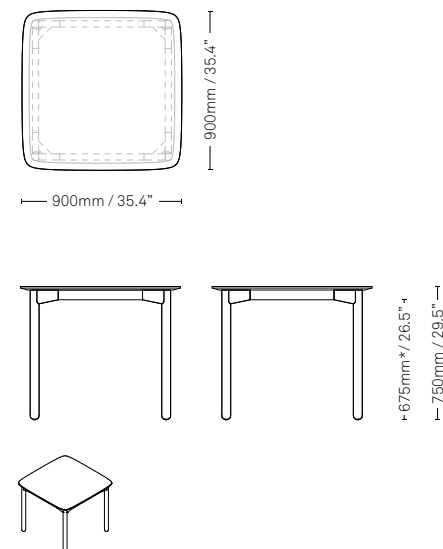
Square
 1200mm (L) x 1200mm (W) x 750mm (H)
 47.2" (L) x 47.2" (W) x 29.5" (H)
 Square or Sharknose Edge Available



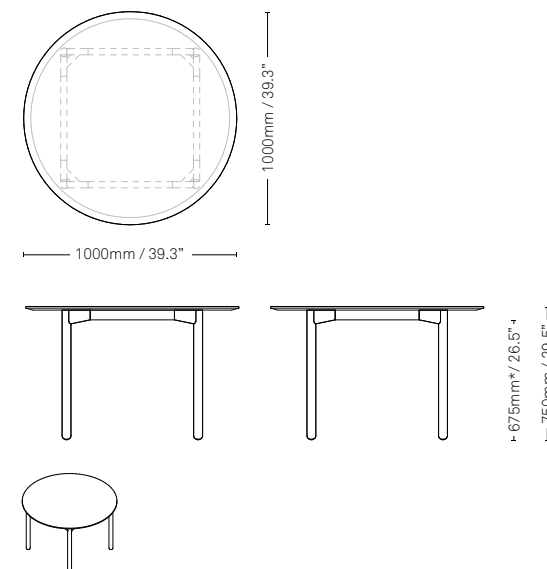
Square
 1000mm (L) x 1000mm (W) x 750mm (H)
 39.3" (L) x 39.2" (W) x 29.5" (H)
 Square or Sharknose Edge Available



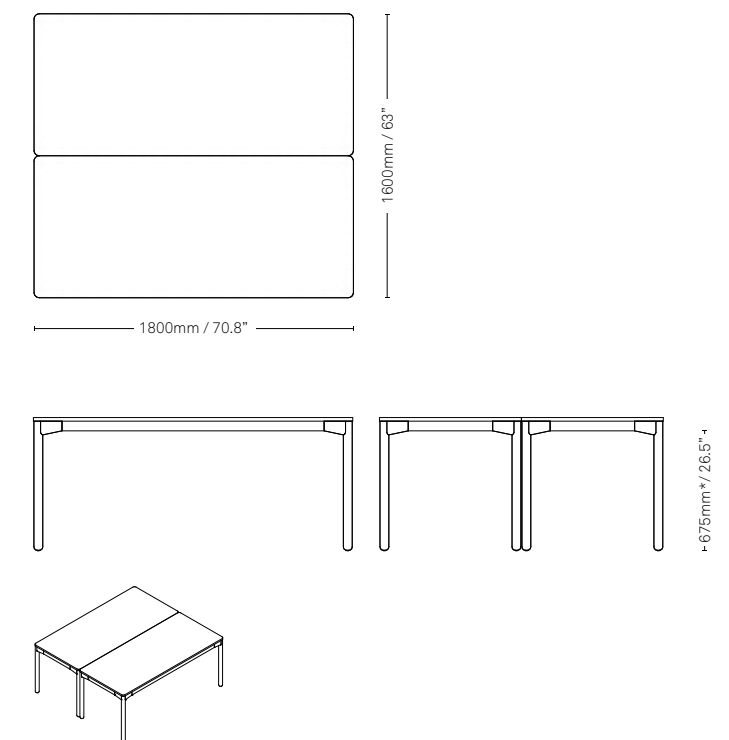
Square
 900mm (L) x 900mm (W) x 750mm (H)
 35.4" (L) x 35.4" (W) x 29.5" (H)
 Square or Sharknose Edge Available



Round
 1000mm (L) x 1000mm (W) x 750mm (H)
 39.3" (L) x 39.3" (W) x 29.5" (H)



Back to Back Configuration
 1800mm (L) x 1600mm (W) x 750mm (H)
 70.8" (L) x 63" (W) x 29.5" (H)
 Square Edge Only



ColourLab

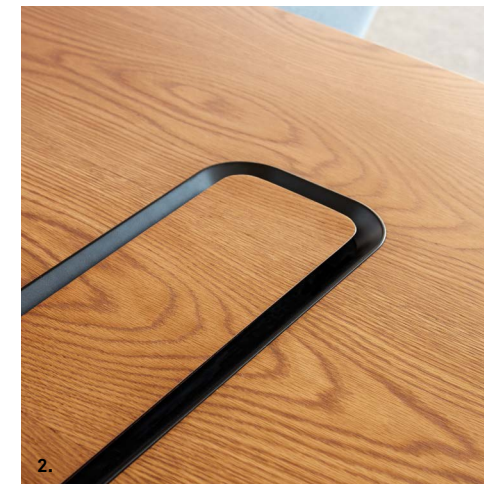
ColourLab

Curated by Giulio Ridolfo and developed by Schiavello, Colourlab brings a considered and cohesive palette of finishes suited to the needs of working and living environments. The palette beautifully balances colour, texture and layering across a variety of materials.

To review complete list of Quila Table finishes please [click here](#).

ColourLab materials and finishes

1. Laminate
2. Timber Natural
3. Timber Paint
4. Timber Wash
5. Leather
6. Fabric
7. Metal Powder Coat





Ecology and sustainability

Schiavello's most important commitment to sustainability is the company-wide Environmental Management System under ISO 14001. The environmental design principles realised means we design for the environment, focusing on efficient energy use and minimum emissions, longevity and durability, re-use and recycling of our products.

Our principles of ME WE (Materials, Energy, Waste Emissions) give us a simple way to think about how our operations impact the environment.

Printed on an Australian made paper stock that is PEFC Certified and made from elemental chlorine-free bleached pulp sourced from sustainably managed forests and non-controversial sources. It is manufactured by an ISO 14001 certified mill using renewable energy sources.



About Schiavello

Schiavello is a multi-disciplinary company dedicated to developing intelligent, inspiring, ecological and resilient solutions for the office, the home and public spaces.

Schiavello's concepts and products are developed in Australia by applying a design process that brings together the company's core design principles and engineering with the creativity of local and international designers.

The Schiavello head office and world-class manufacturing facilities are integral to our continually developing rich tapestry of knowledge. This knowledge ultimately assists us in informing the right solutions and tools for each organisation's needs and people, allowing us to consistently achieve our philosophy that 'Anything is possible'.

To find a Schiavello showroom or partner in your area, please visit [schiavellofurniture.com](https://www.schiavellofurniture.com)

All intellectual property rights and copyrights are reserved. Nothing contained in this brochure may be reproduced without written permission. Schiavello Group Pty Ltd reserves the right to change any or all details without prior notice. All dimensions stated within this document are nominal and/or approximate only and subject to variation.

SCH/C62D-B

