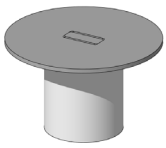


# Specifications

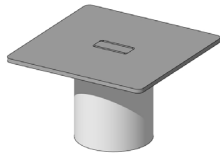
## Totem Range

### Free Standing Tables

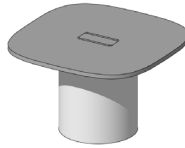
---



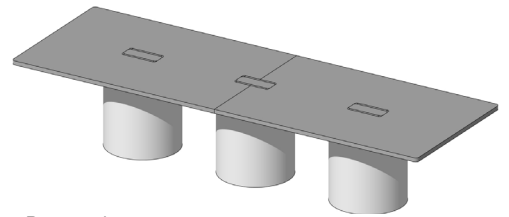
Round



Square



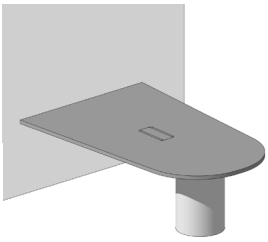
Super Ellipse



Rectangle

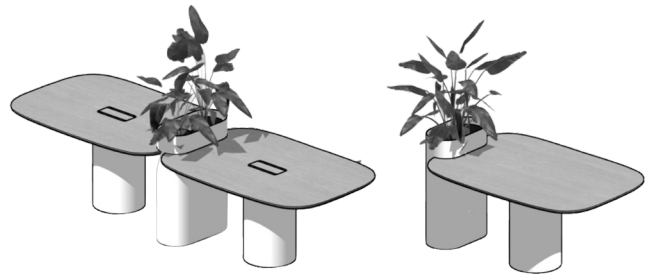
### Connected Tables

---



### Free Standing Tables with Integrated Planters

---



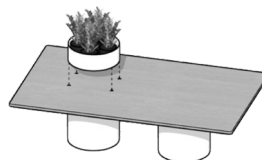
### Free Standing Planters

---



### Table Top Planters

---



All measurements are in millimeters.

All intellectual property rights and copyrights are reserved. Nothing contained in this document may be reproduced without written permission. Schiavello Group Pty Ltd reserves the right to change any or all details without prior notice. All dimensions stated within this document are nominal and/or approximate only and subject to variation. SCH/SPSTOTEM01-A

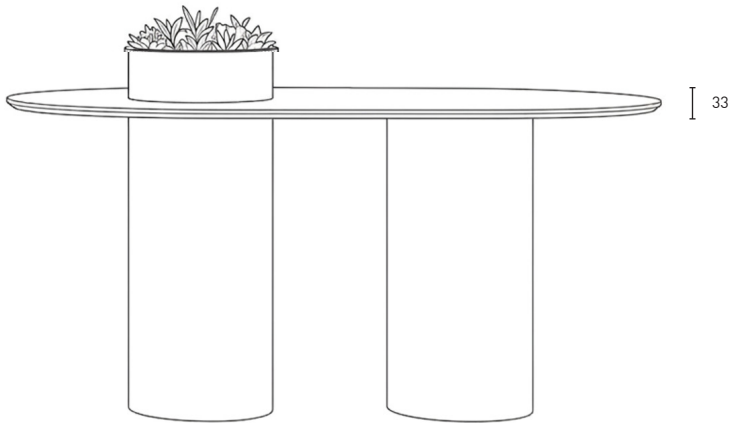
# Specifications

## Totem Range

### Tabletop Thickness

---

All worktops are available in **33mm thickness only** to ensure table stability and structural integrity.



All measurements are in millimeters.

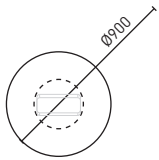
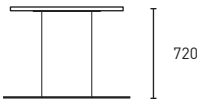
All intellectual property rights and copyrights are reserved. Nothing contained in this document may be reproduced without written permission. Schiavello Group Pty Ltd reserves the right to change any or all details without prior notice. All dimensions stated within this document are nominal and/or approximate only and subject to variation. SCH/SPSTOTEM01-A

# Specifications

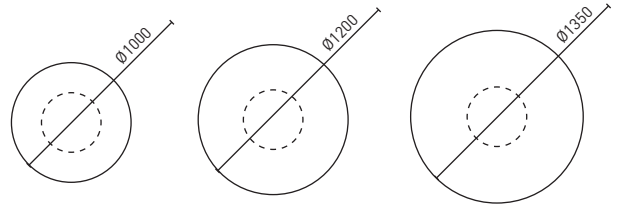
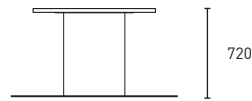
## Free Standing Tables

### 720 Height

#### Ø400 Single Base

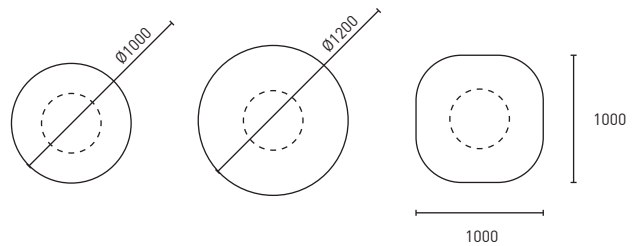
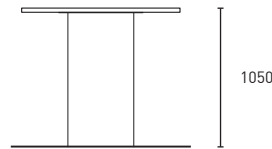


#### Ø500 Single Base



### 1050 Height

#### Ø500 Single Base



All measurements are in millimeters.

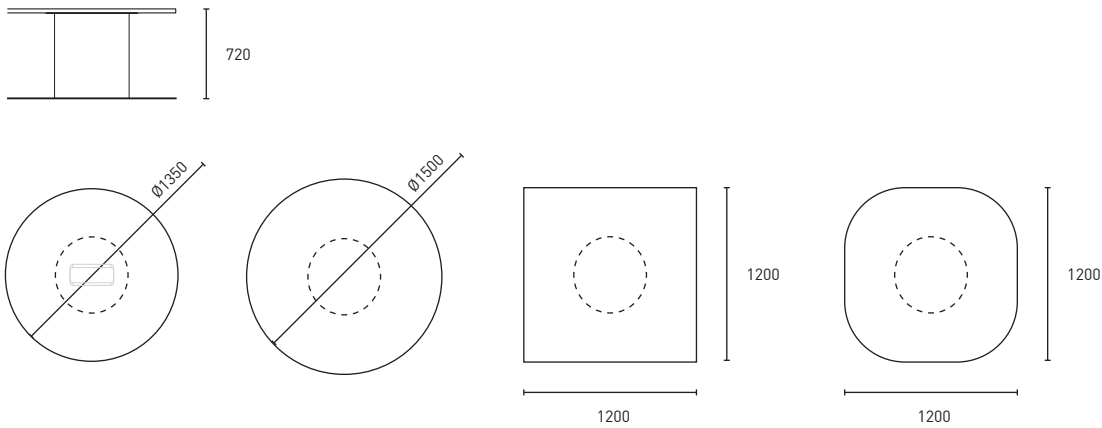
All intellectual property rights and copyrights are reserved. Nothing contained in this document may be reproduced without written permission. Schiavello Group Pty Ltd reserves the right to change any or all details without prior notice. All dimensions stated within this document are nominal and/or approximate only and subject to variation. SCH/SPSTOTEM01-A

# Specifications

## Free Standing Tables

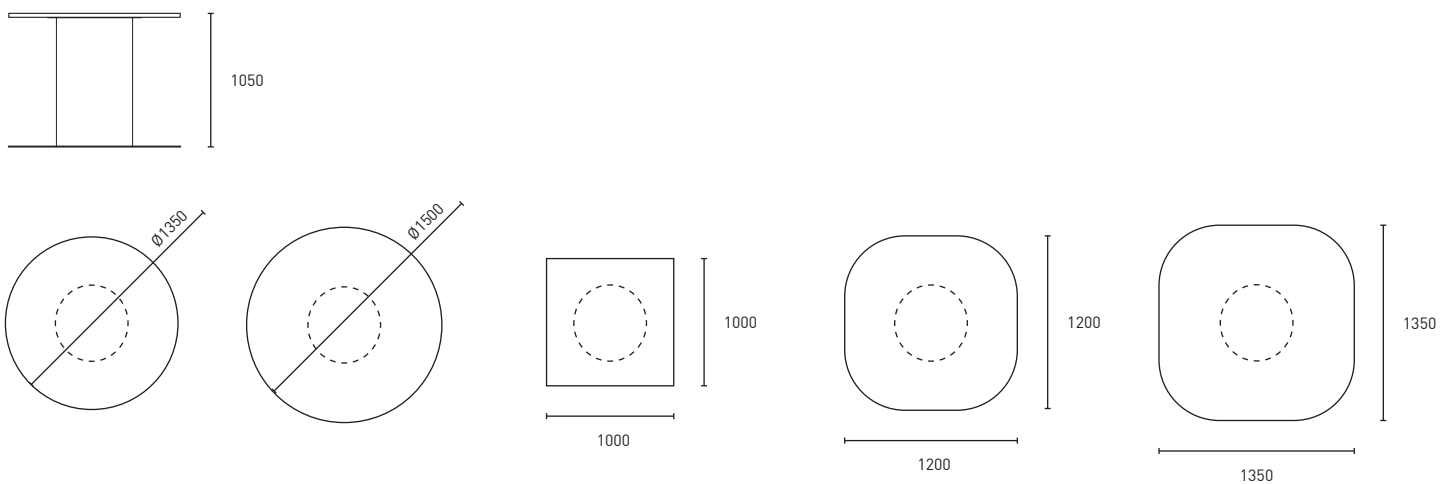
### 720 Height

Ø600 Single Base



### 1050 Height

Ø600 Single Base



All measurements are in millimeters.

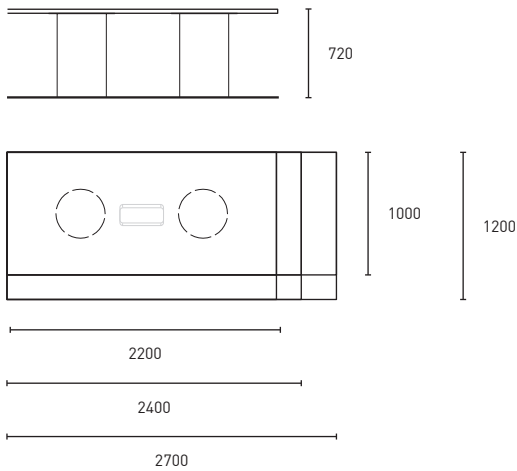
All intellectual property rights and copyrights are reserved. Nothing contained in this document may be reproduced without written permission. Schiavello Group Pty Ltd reserves the right to change any or all details without prior notice. All dimensions stated within this document are nominal and/or approximate only and subject to variation. SCH/SPSTOTEM01-A

# Specifications

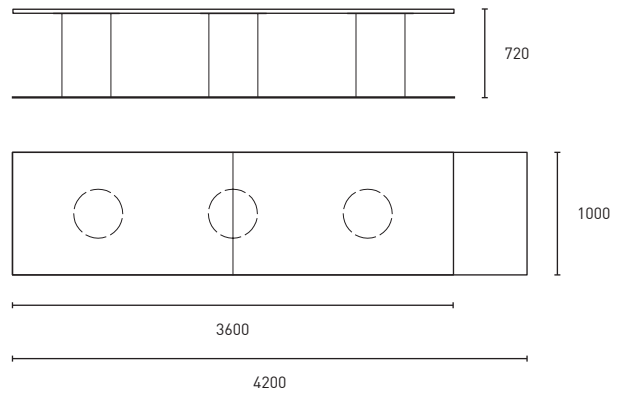
## Free Standing Tables

### 720 Height

#### Ø400 Double Base

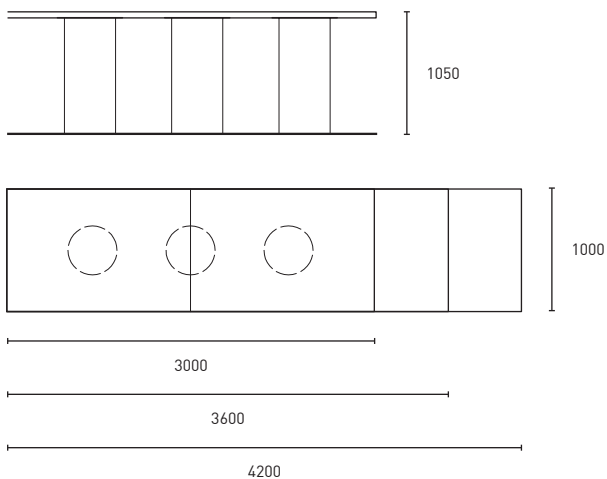


#### Ø400 Triple Base



### 1050 Height

#### Ø400 Triple Base



All measurements are in millimeters.

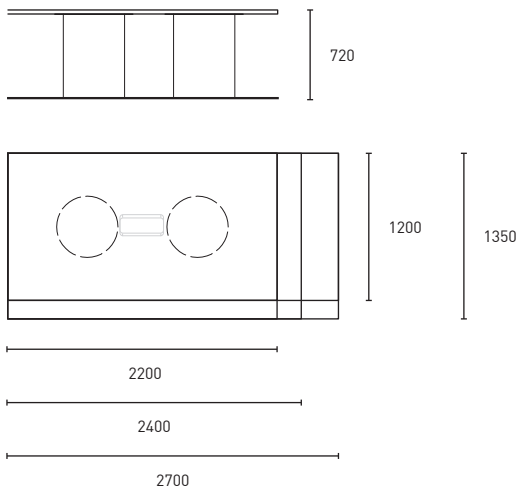
All intellectual property rights and copyrights are reserved. Nothing contained in this document may be reproduced without written permission. Schiavello Group Pty Ltd reserves the right to change any or all details without prior notice. All dimensions stated within this document are nominal and/or approximate only and subject to variation. SCH/SPSTOTEM01-A

# Specifications

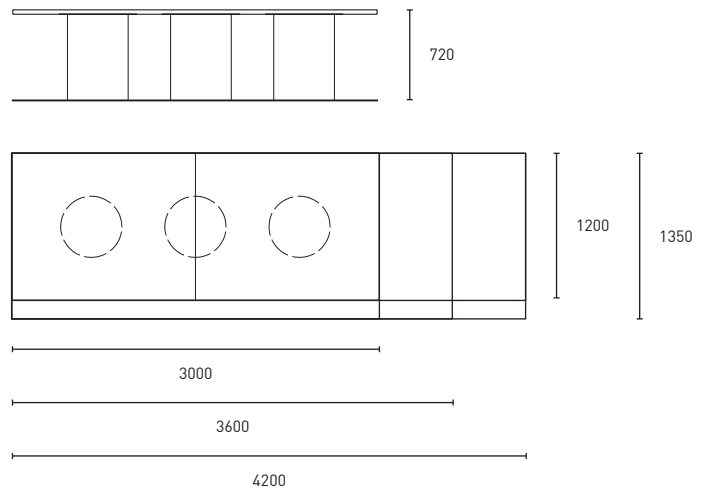
## Free Standing Tables

### 720 Height

#### Ø500 Double Base

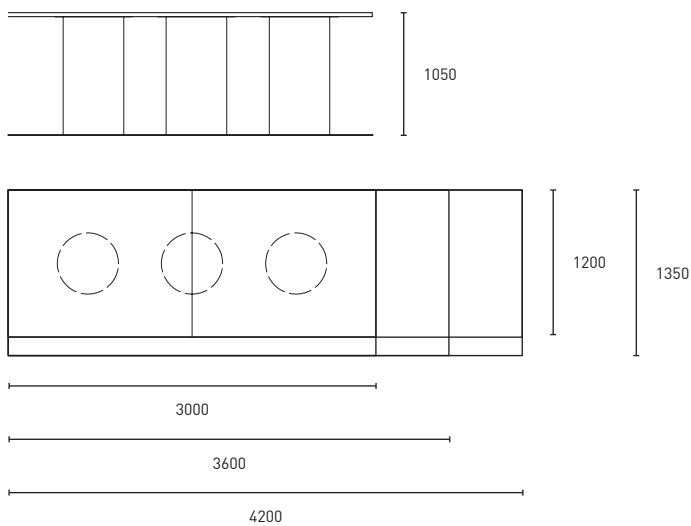


#### Ø500 Triple Base



### 1050 Height

#### Ø500 Triple Base



All measurements are in millimeters.

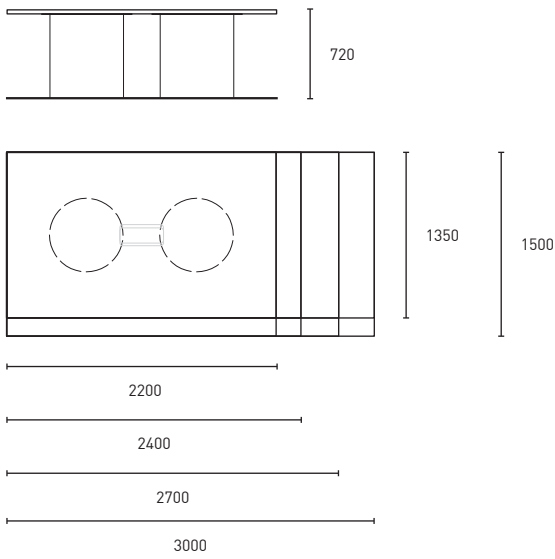
All intellectual property rights and copyrights are reserved. Nothing contained in this document may be reproduced without written permission. Schiavello Group Pty Ltd reserves the right to change any or all details without prior notice. All dimensions stated within this document are nominal and/or approximate only and subject to variation. SCH/SPSTOTEM01-A

# Specifications

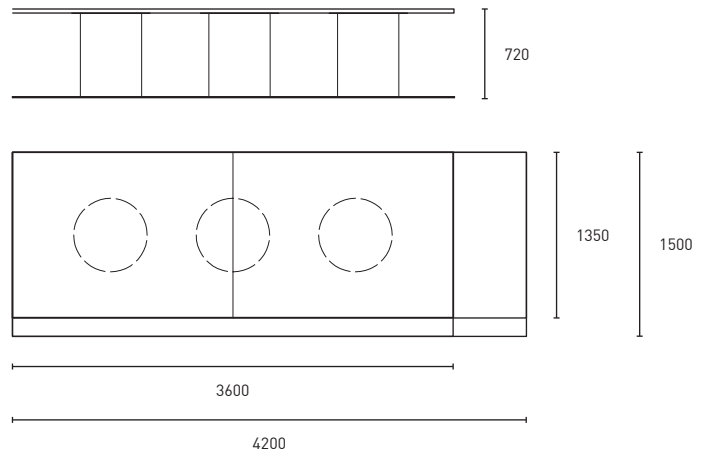
## Free Standing Tables

### 720 Height

Ø600 Double Base

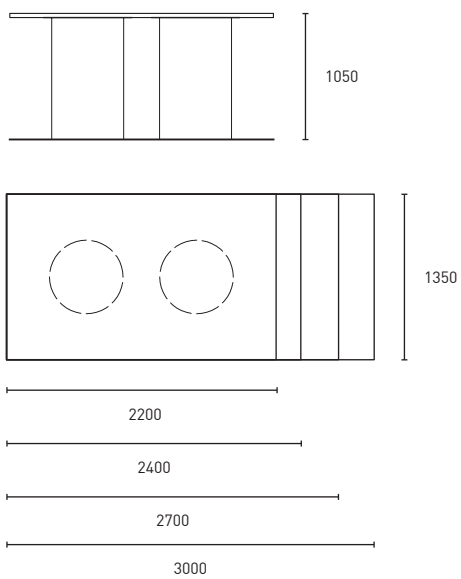


Ø600 Triple Base

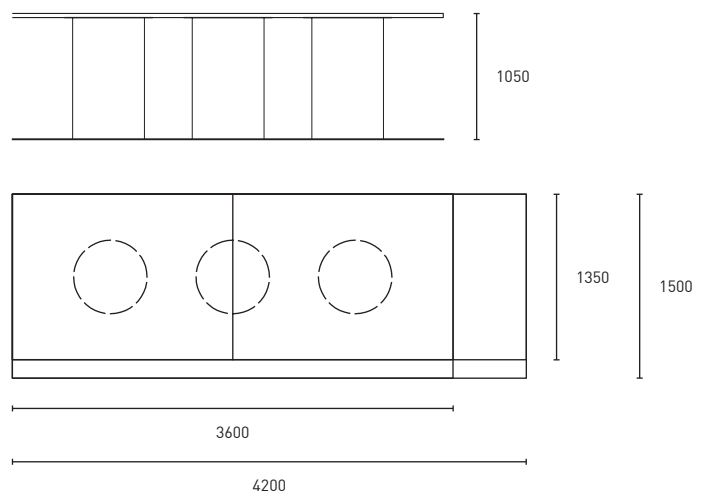


### 1050 Height

Ø600 Double Base



Ø600 Triple Base



All measurements are in millimeters.

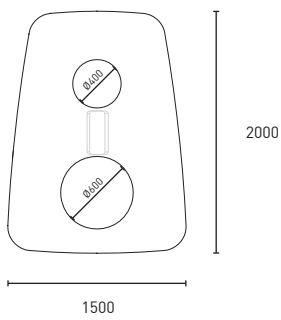
All intellectual property rights and copyrights are reserved. Nothing contained in this document may be reproduced without written permission. Schiavello Group Pty Ltd reserves the right to change any or all details without prior notice. All dimensions stated within this document are nominal and/or approximate only and subject to variation. SCH/SPSTOTEM01-A

# Specifications

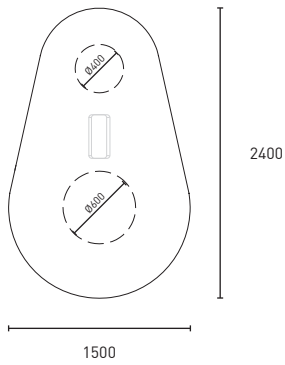
## Free Standing Tables

### 720 Height

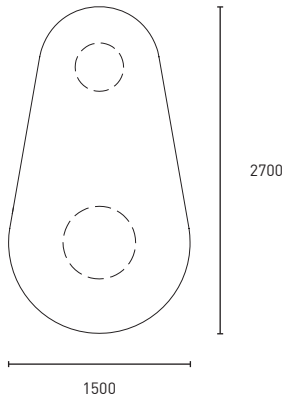
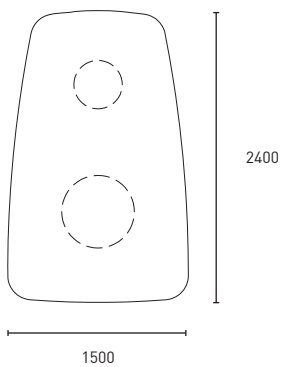
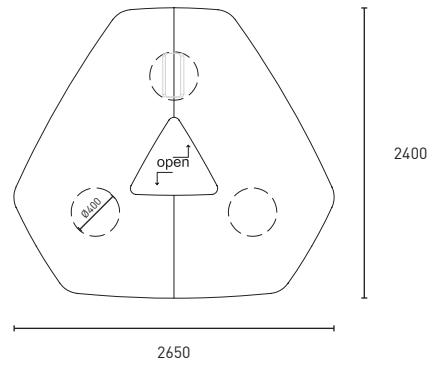
Ø400 + Ø600 Double Base, Lozenge Worktop



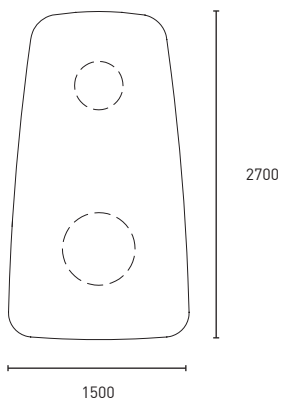
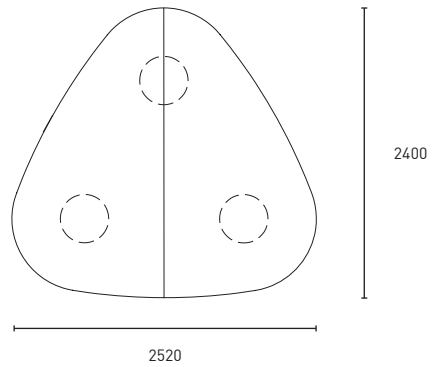
Ø400 Double Base, Teardrop Worktop



Ø400 Triple Base, Arrowhead Worktop



Ø400 Triple Base, Arrowhead Soft Worktop



All measurements are in millimeters.

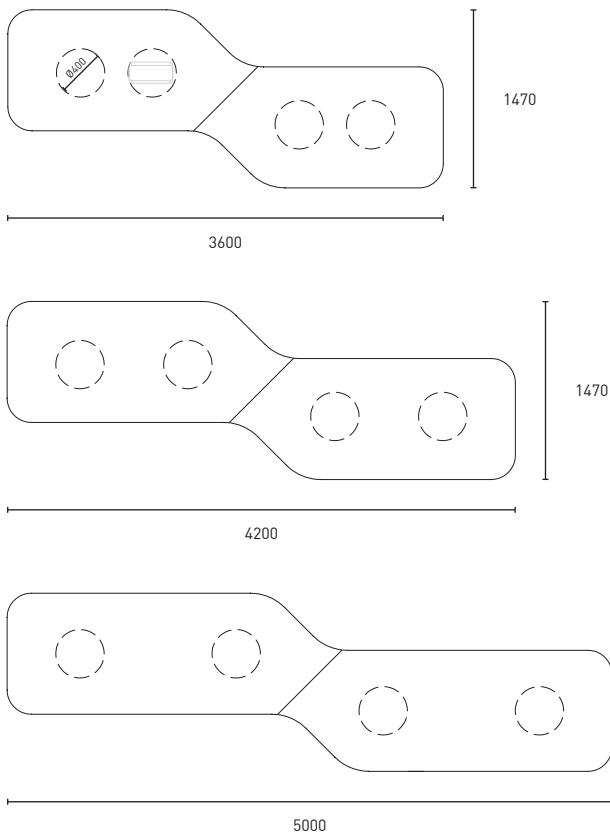
All intellectual property rights and copyrights are reserved. Nothing contained in this document may be reproduced without written permission. Schiavello Group Pty Ltd reserves the right to change any or all details without prior notice. All dimensions stated within this document are nominal and/or approximate only and subject to variation. SCH/SPSTOTEM01-A

# Specifications

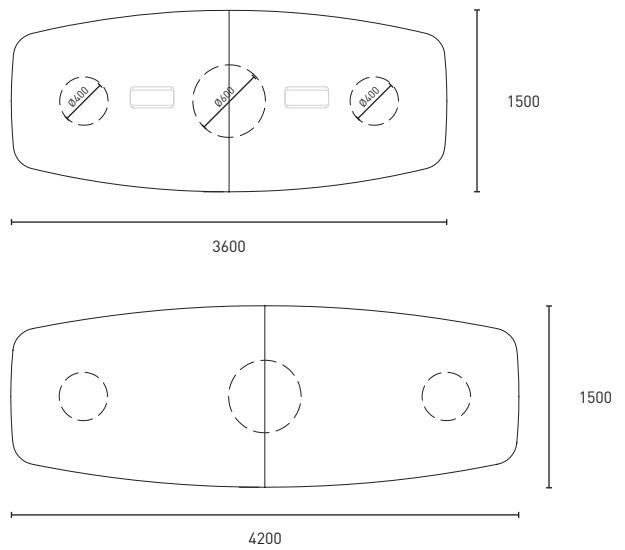
## Free Standing Tables

### 720 Height

Ø400 Quadruple Base, Offset Worktop



Ø400 + Ø600 Triple Base, Boat Worktop



All measurements are in millimeters.

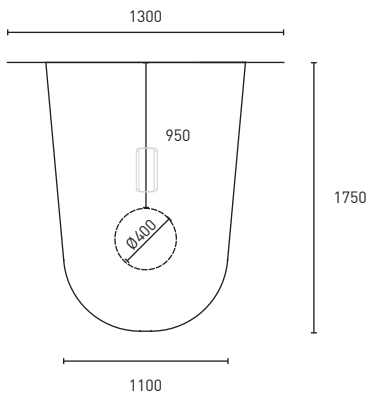
All intellectual property rights and copyrights are reserved. Nothing contained in this document may be reproduced without written permission. Schiavello Group Pty Ltd reserves the right to change any or all details without prior notice. All dimensions stated within this document are nominal and/or approximate only and subject to variation. SCH/SPSTOTEM01-A

# Specifications

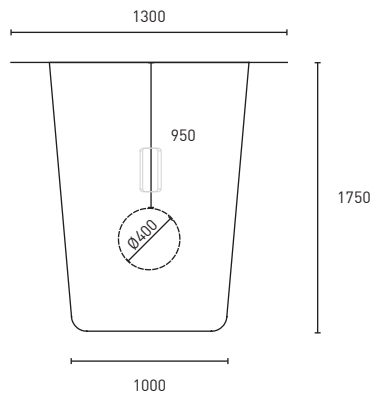
## Connected Tables with Tapered Worktop

### 720 Height

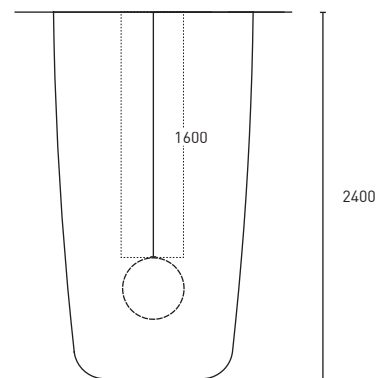
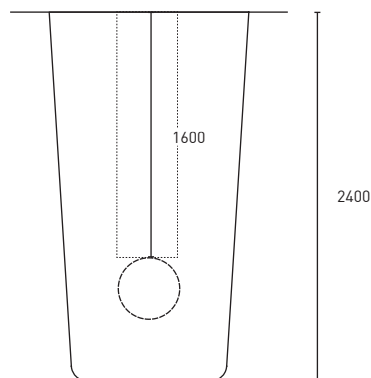
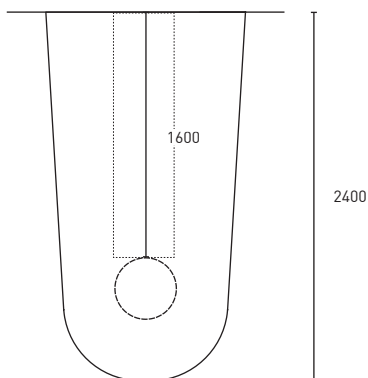
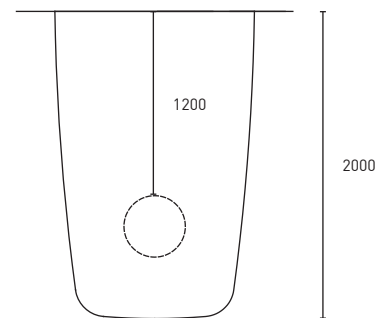
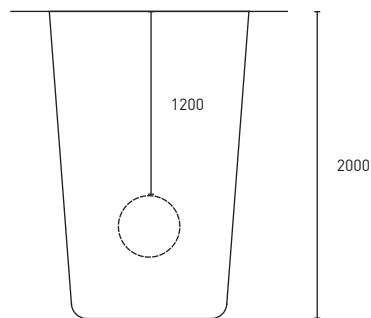
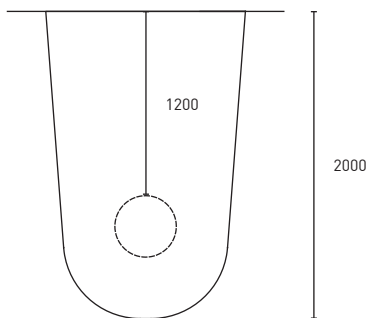
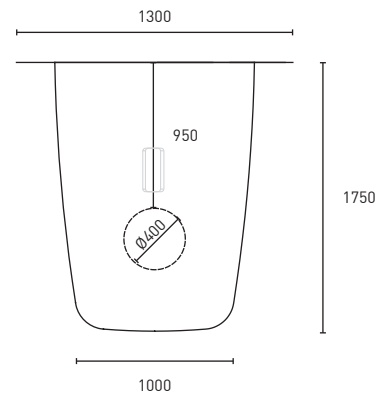
Ø400 Single Base, D End Worktop



Ø400 Single Base, Wedge Worktop



Ø400 Single Base, Lozenge Worktop



Note: 2400mm length tops require cable tray or J-earm for stability.

All measurements are in millimeters.

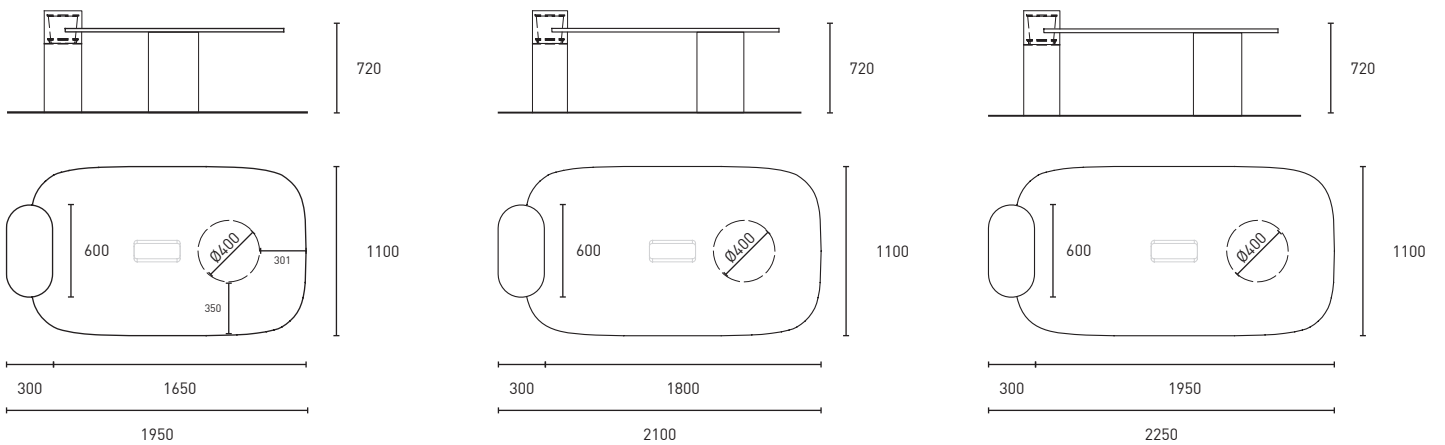
All intellectual property rights and copyrights are reserved. Nothing contained in this document may be reproduced without written permission. Schiavello Group Pty Ltd reserves the right to change any or all details without prior notice. All dimensions stated within this document are nominal and/or approximate only and subject to variation. SCH/SPSTOTEM01-A

# Specifications

## Free Standing Tables with Integrated Planters

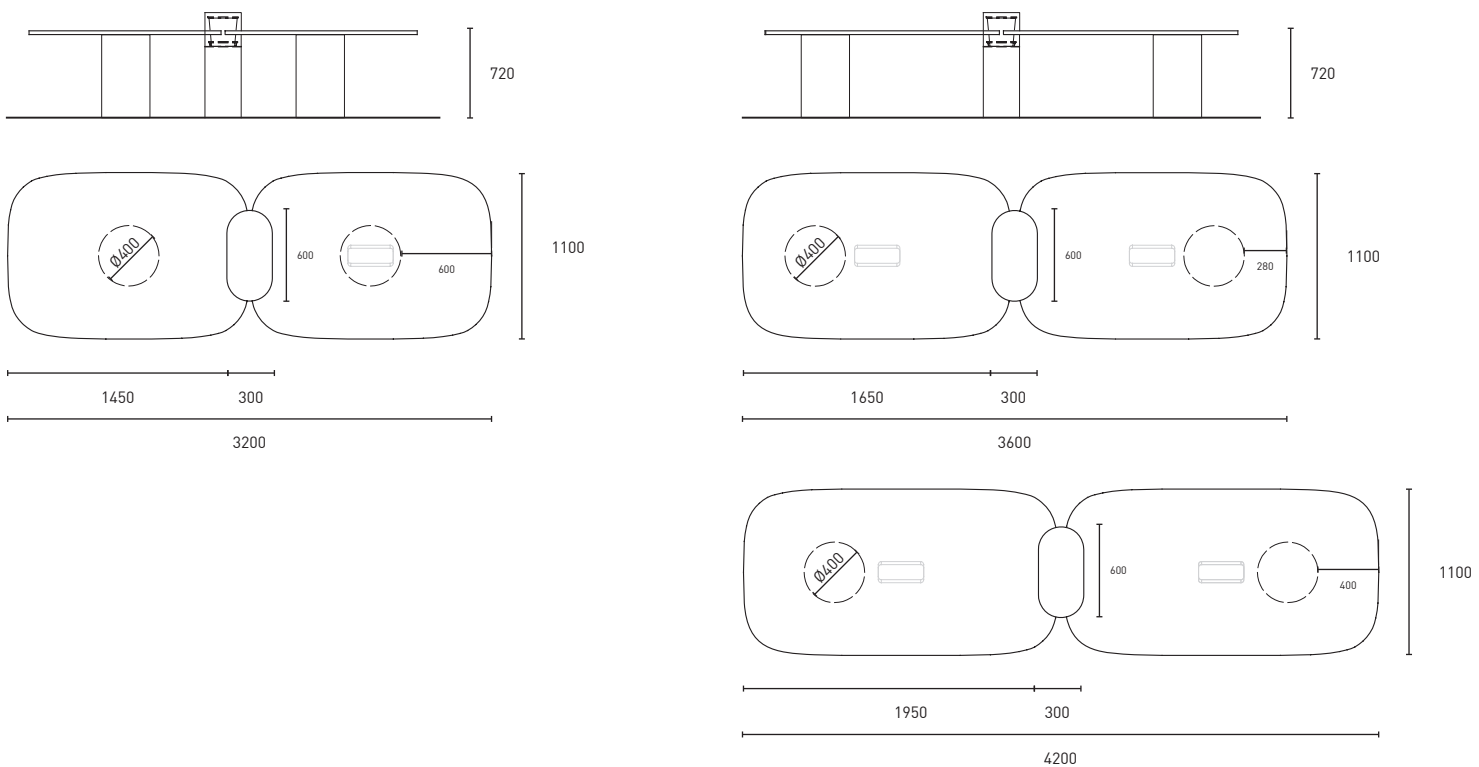
### 720 Height\_600 x 300 Planter

#### Ø400 Single Base



### 720 Height\_600 x 300 Planter

#### Ø400 Double Base



All measurements are in millimeters.

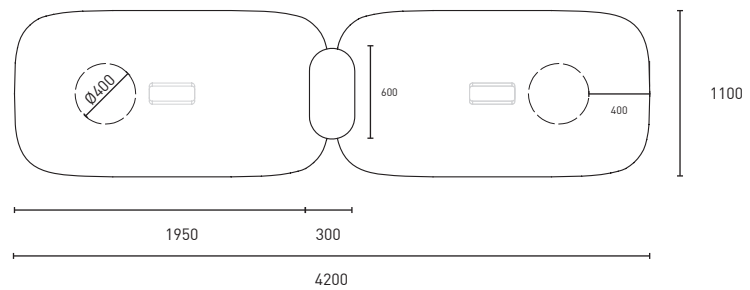
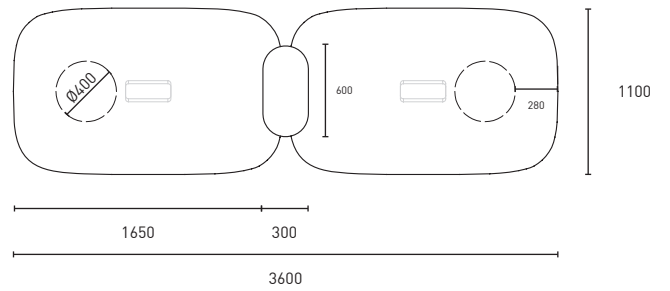
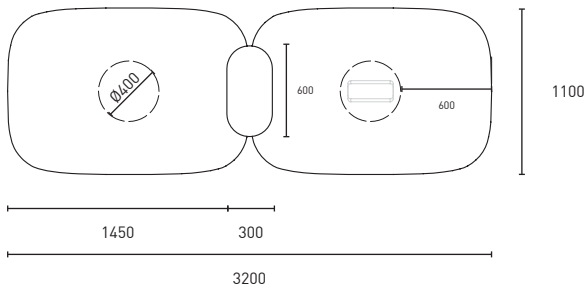
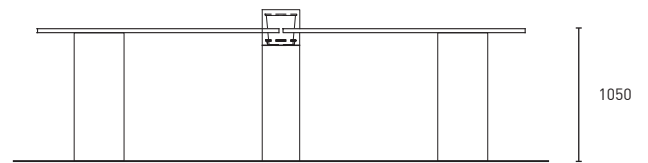
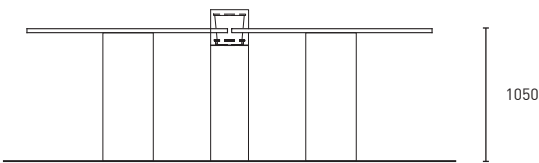
All intellectual property rights and copyrights are reserved. Nothing contained in this document may be reproduced without written permission. Schiavello Group Pty Ltd reserves the right to change any or all details without prior notice. All dimensions stated within this document are nominal and/or approximate only and subject to variation. SCH/SPSTOTEM01-A

# Specifications

## Free Standing Tables with Integrated Planters

### 1050 Height\_600 x 300 Planter

#### Ø400 Double Base



All measurements are in millimeters.

All intellectual property rights and copyrights are reserved. Nothing contained in this document may be reproduced without written permission. Schiavello Group Pty Ltd reserves the right to change any or all details without prior notice. All dimensions stated within this document are nominal and/or approximate only and subject to variation. SCH/SPSTOTEM01-A

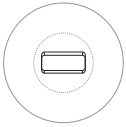
# Specifications

## Cable Gate Location Options

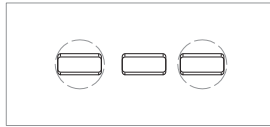
### Free Standing Tables

---

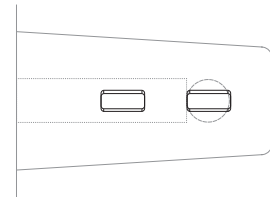
Round, Ellipse or Square



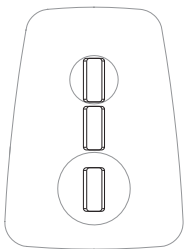
Rectangle



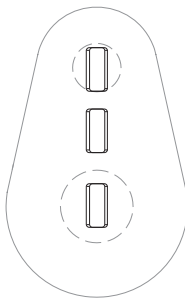
Connected Tables



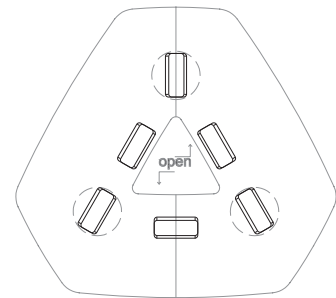
Lozenge



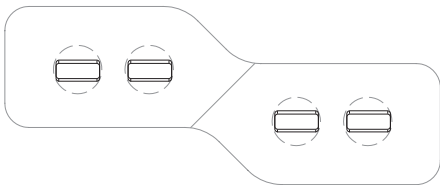
Teardrop



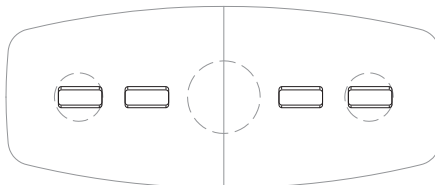
Arrowhead (soft)



Offset



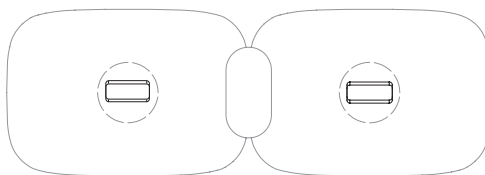
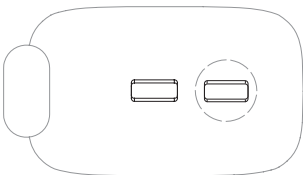
Boat



### Free Standing Tables with Integrated Planters

---

Rectangle and Other



All measurements are in millimeters.

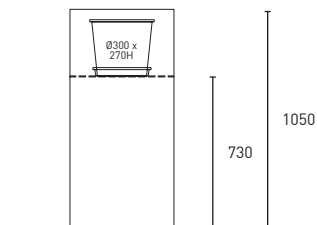
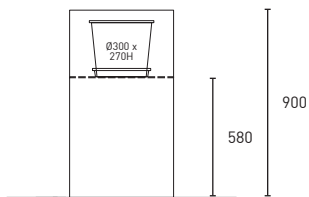
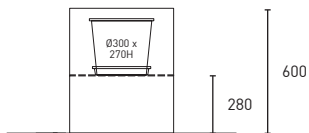
All intellectual property rights and copyrights are reserved. Nothing contained in this document may be reproduced without written permission. Schiavello Group Pty Ltd reserves the right to change any or all details without prior notice. All dimensions stated within this document are nominal and/or approximate only and subject to variation. SCH/SPSTOTEM01-A

# Specifications

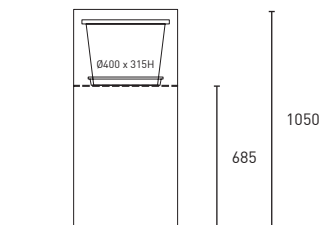
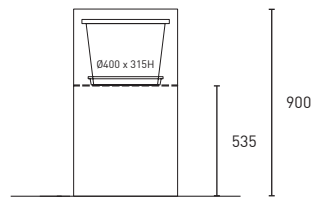
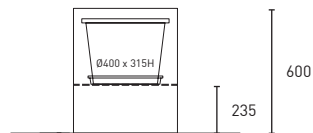
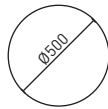
## Free Standing Planters

### Single Planter

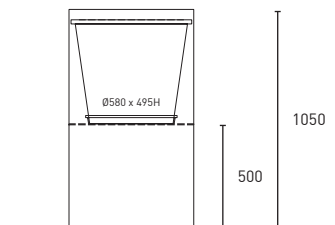
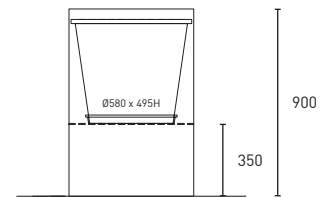
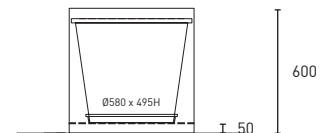
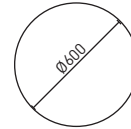
#### Ø400 Base



#### Ø500 Base



#### Ø600 Base



All measurements are in millimeters.

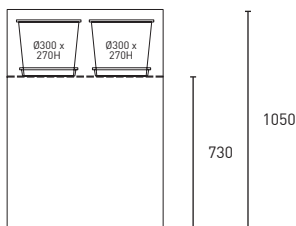
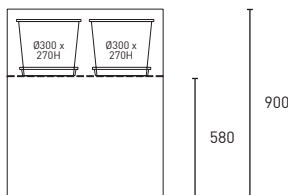
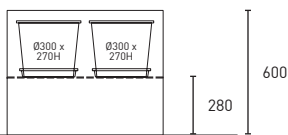
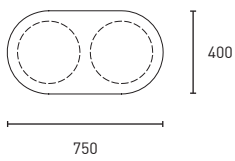
All intellectual property rights and copyrights are reserved. Nothing contained in this document may be reproduced without written permission. Schiavello Group Pty Ltd reserves the right to change any or all details without prior notice. All dimensions stated within this document are nominal and/or approximate only and subject to variation. SCH/SPSTOTEM01-A

# Specifications

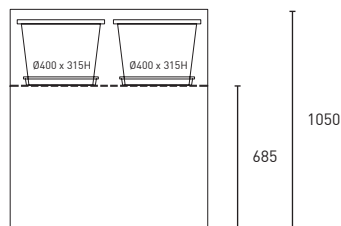
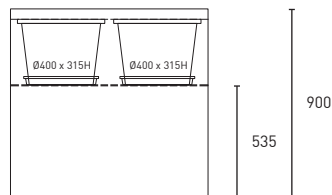
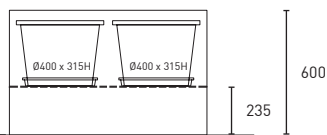
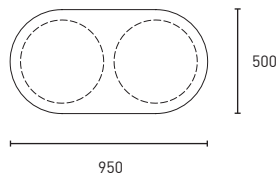
## Free Standing Planters

### Double Planter

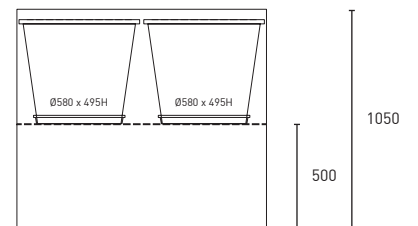
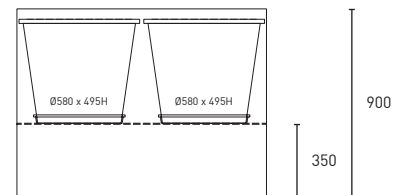
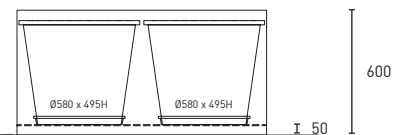
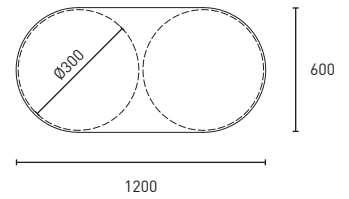
400 x 750 Base



500 x 950 Base



600 x 1200 Base



All measurements are in millimeters.

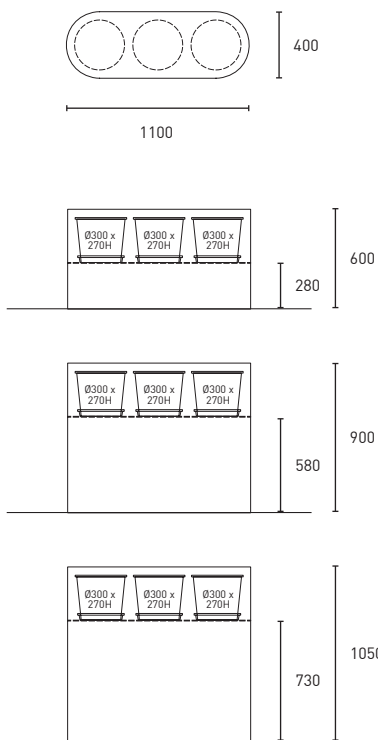
All intellectual property rights and copyrights are reserved. Nothing contained in this document may be reproduced without written permission. Schiavello Group Pty Ltd reserves the right to change any or all details without prior notice. All dimensions stated within this document are nominal and/or approximate only and subject to variation. SCH/SPSTOTEM01-A

# Specifications

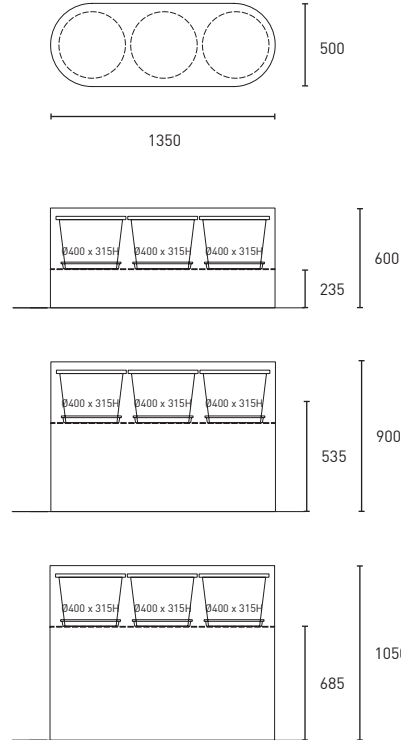
## Free Standing Planters

### Triple Planter

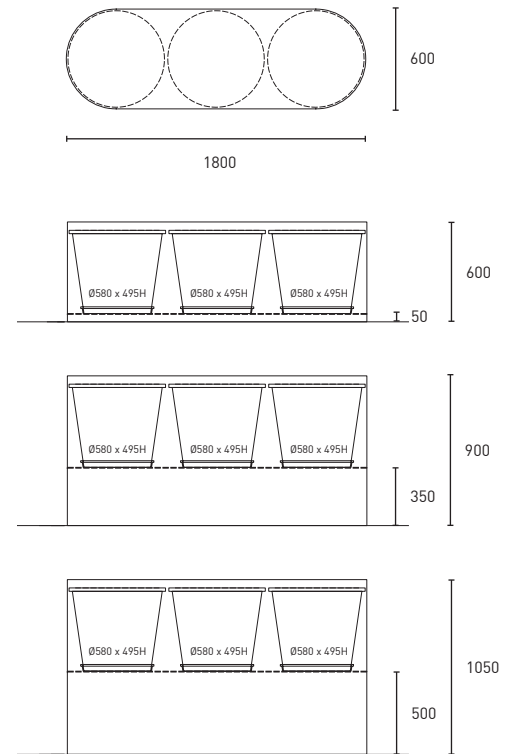
400 x 1100 Base



500 x 1350 Base



600 x 1800 Base



All measurements are in millimeters.

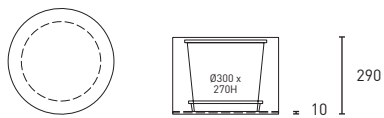
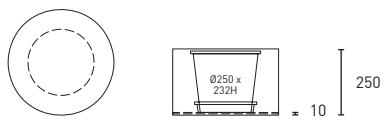
All intellectual property rights and copyrights are reserved. Nothing contained in this document may be reproduced without written permission. Schiavello Group Pty Ltd reserves the right to change any or all details without prior notice. All dimensions stated within this document are nominal and/or approximate only and subject to variation. SCH/SPSTOTEM01-A

# Specifications

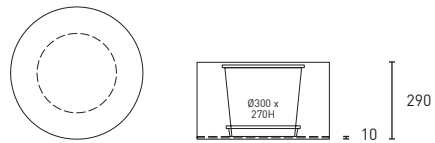
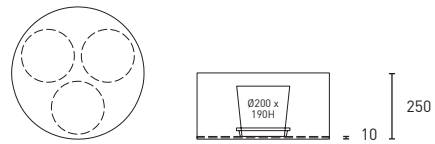
## Table Top Planters

### Single or Multiple Planter

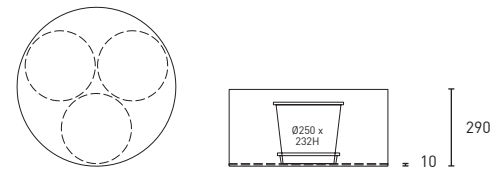
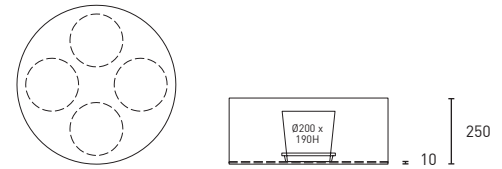
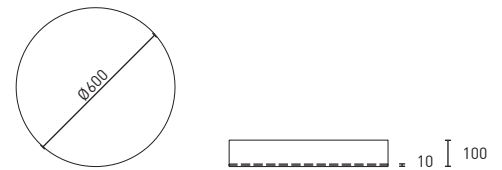
#### Ø400 Base



#### Ø500 Base



#### Ø600 Base



All measurements are in millimeters.

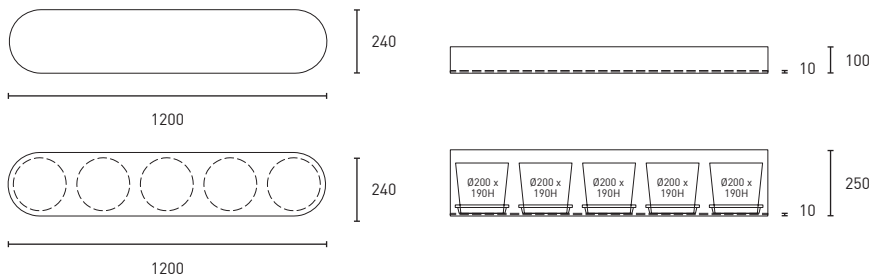
All intellectual property rights and copyrights are reserved. Nothing contained in this document may be reproduced without written permission. Schiavello Group Pty Ltd reserves the right to change any or all details without prior notice. All dimensions stated within this document are nominal and/or approximate only and subject to variation. SCH/SPSTOTEM01-A

# Specifications

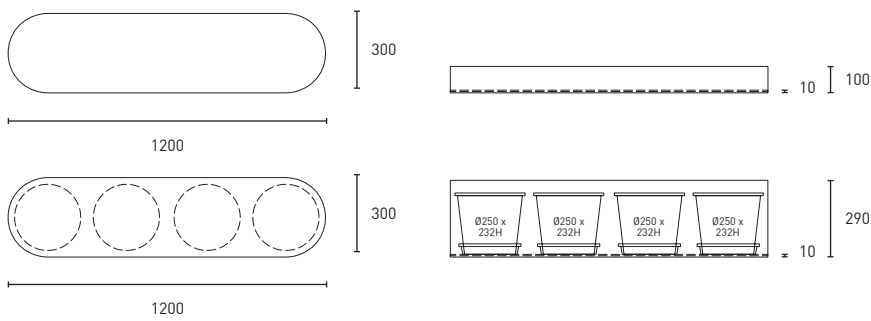
## Table Top Planters

### Single or Multiple Planter

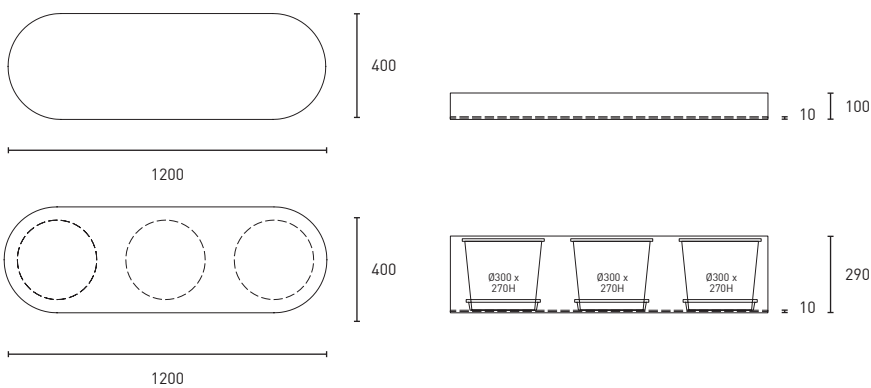
#### 240 x 1200 Base



#### 300 x 1200 Base



#### 400 x 1200 Base



All measurements are in millimeters.

All intellectual property rights and copyrights are reserved. Nothing contained in this document may be reproduced without written permission. Schiavello Group Pty Ltd reserves the right to change any or all details without prior notice. All dimensions stated within this document are nominal and/or approximate only and subject to variation. SCH/SPSTOTEM01-A