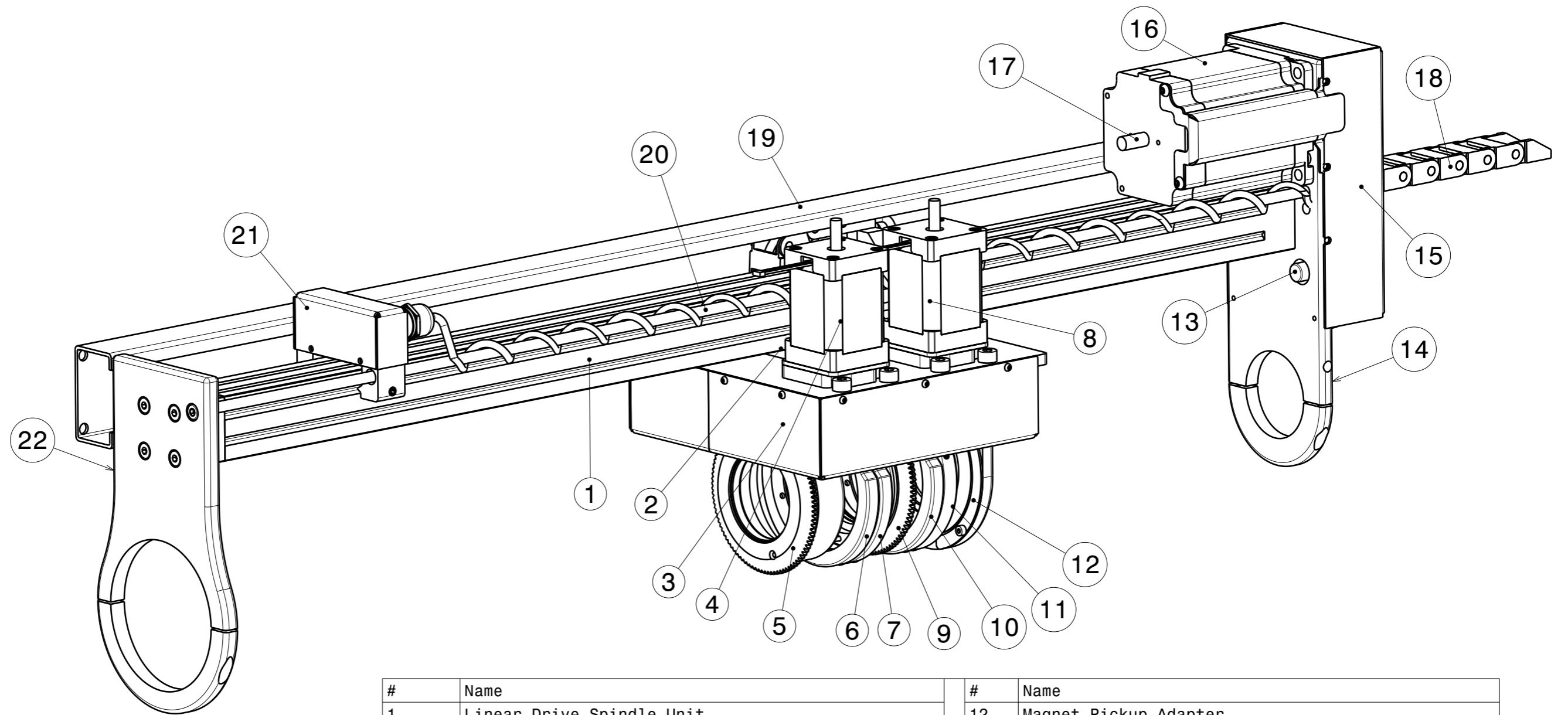


Material: various		nominal <30mm	DIN ISO 2768-f-H
		dimensions >30mm	DIN ISO 2768-m-K excluding Sym./Runout
		Sym./Runout >30mm	DIN ISO 2768-H
		formed part dimensions	DIN ISO 2768-f-H
Scale	Drawn	C.Weiss	
1:2	Date	12.01.2015	
	Changed	24.04.2026 LJ	
Rev.	E	DRVRMOTLRR - XXXX	
Ferrovac CH-8050 Zurich		THE INFORMATION CONTAINED IN THIS DRAWING IS THE SOLE PROPERTY OF FERROVAC. ANY REPRODUCTION IN PART OR AS WHOLE WITHOUT OUR PERMISSION IS PROHIBITED.	
		A3 sheet 1/3	

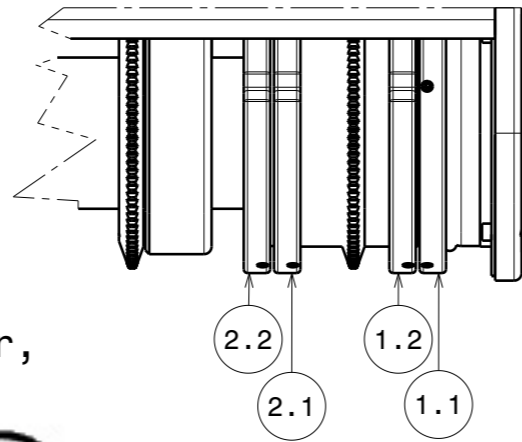


#	Name	#	Name
1	Linear Drive Spindle Unit	12	Magnet Pickup Adapter (w. Knurled Rotational Lock Screw)
2	Linear Carrier	13	Limit Switch (Back)
3	Worm-Gearbox Housing	14	Sample Transporter Clamp (Back)
4	Rotary Actuator Stepper Motor 2	15	Cable / Gearbox Housing
5	Worm Wheel 2	16	Linear Actuator Stepper Motor
6	Rotation Limit Switch Actuator 2.2	17	Motor Shaft Extension
7	Rotation Limit Switch Actuator 2.1	18	Cable Carrier/Chain
8	Rotary Actuator Stepper Motor 1	19	Cable Carrier/Chain Guide Rail
9	Worm Wheel 1	20	Cable Guide
10	Rotation Limit Switch Actuator 1.2	21	Limit Switch (Front)
11	Rotation Limit Switch Actuator 1.1	22	Sample Transporter Clamp (Front)

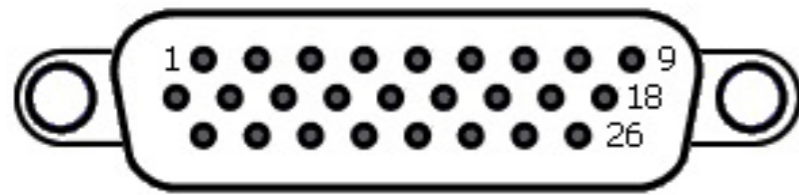
Material: various	nominal <30mm	DIN ISO 2768-f-H
	dimensions >30mm	DIN ISO 2768-m-K excluding Sym./Runout
	Sym./Runout >30mm	DIN ISO 2768-H
	formed part dimensions	DIN ISO 2768-f-H
	Scale	Drawn C.Weiss
		Date 12.01.2015
		Changed 24.04.2026 LJ
	1:2	DRVRMOTLRR - XXXX
	Rev. E	A3 sheet 2/3

Motorized Linear and Double Rotary Drive for Dual-shaft Sample Transporter
 DRVRMOTLRR
Ferrovac
 CH-8050 Zurich

THE INFORMATION CONTAINED IN THIS DRAWING IS THE SOLE PROPERTY OF FERROVAC. ANY REPRODUCTION IN PART OR AS WHOLE WITHOUT OUR PERMISSION IS PROHIBITED.

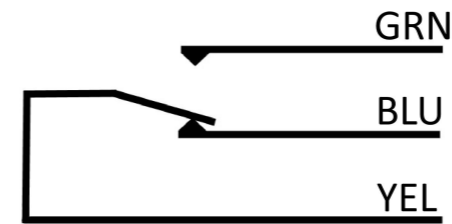


26 pin D-sub connector, male, panel mount

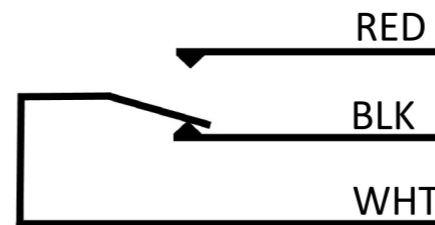


D-Sub Pin	Function	#
1	Linear Motor	(A)BLK
2	Linear Motor	(A*)BLK/WHT
3	Linear Motor	(B*)BLU/WHT
4	Rotary Motor 1	(A)WHT
5	Rotary Motor 2	(A)WHT
6	Rotation Limit Switch 1.2	BLK
7	Rotation Limit Switch 1.1	BLU
8	Limit Switch (Back)	1
9	Limit Switch (Front)	blue
10	Linear Motor	(A\)GRN
11	Linear Motor	(A\ *)GRN/WHT
12	Linear Motor	(B\)BLU
13	Rotary Motor 1	(A\)RED
14	Rotary Motor 2	(A\)RED
15	Rotary Motor 2	(B)BLU
16	Rotation Limit Switch 1.1 & 1.2	WHT & YEL
17	Endswitch (Back)	2
18	Limit Switch (Front)	white
19	Linear Motor	(B)RED
20	Linear Motor	(B*)RED/WHT
21	Rotary Motor 1	(B)BLU
22	Rotary Motor 1	(B\)YEL
23	Rotary Motor 2	(B\)YEL
24	Rotation Limit Switch 2.1	BLU
25	Rotation Limit Switch 2.1 & 2.2	WHT & YEL
26	Rotation Limit Switch 2.2	BLK

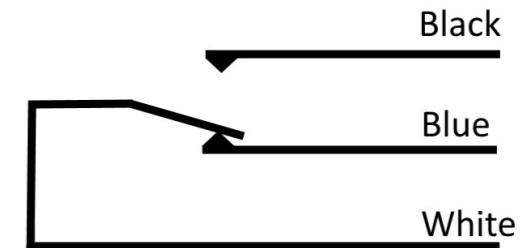
Rotation Limit Switch 1.1 & 2.1



Rotation Limit Switch 1.2 & 2.2



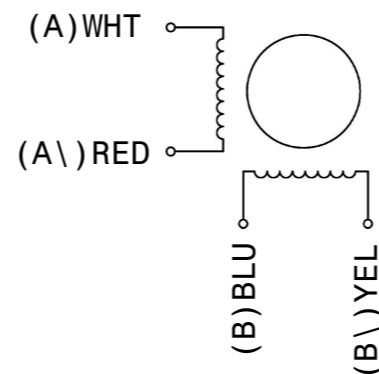
Reed Endswitch (Front)



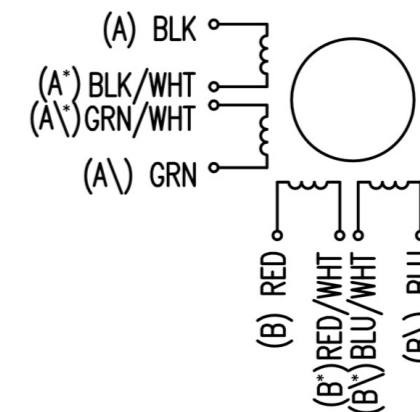
Endswitch (Back)



Rotary Motors Schematic



Linear Motor Schematic



Material: various	nominal <30mm	DIN ISO 2768-f-H
	dimensions >30mm	DIN ISO 2768-m-K excluding Sym./Runout
	Sym./Runout >30mm	DIN ISO 2768-H
	formed part dimensions	DIN ISO 2768-f-H
Motorized Linear and Double Rotary Drive for Dual-shaft Sample Transporter DRVRMOTLRR	Scale	Drawn C.Weiss
	1:2	Date 12.01.2015
		Changed 24.04.2026 LJ
Ferrovac CH-8050 Zurich	THE INFORMATION CONTAINED IN THIS DRAWING IS THE SOLE PROPERTY OF FERROVAC. ANY REPRODUCTION IN PART OR AS WHOLE WITHOUT OUR PERMISSION IS PROHIBITED.	DRVRMOTLRR - XXXX
Rev. E		A3 sheet 3/3