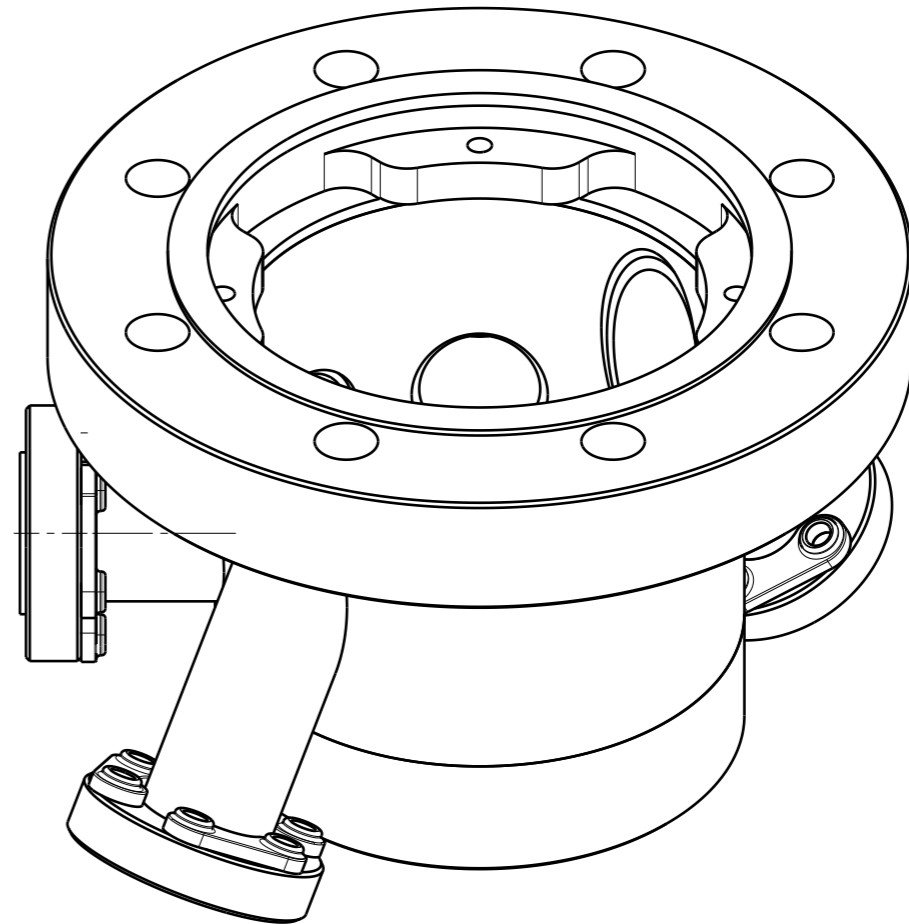
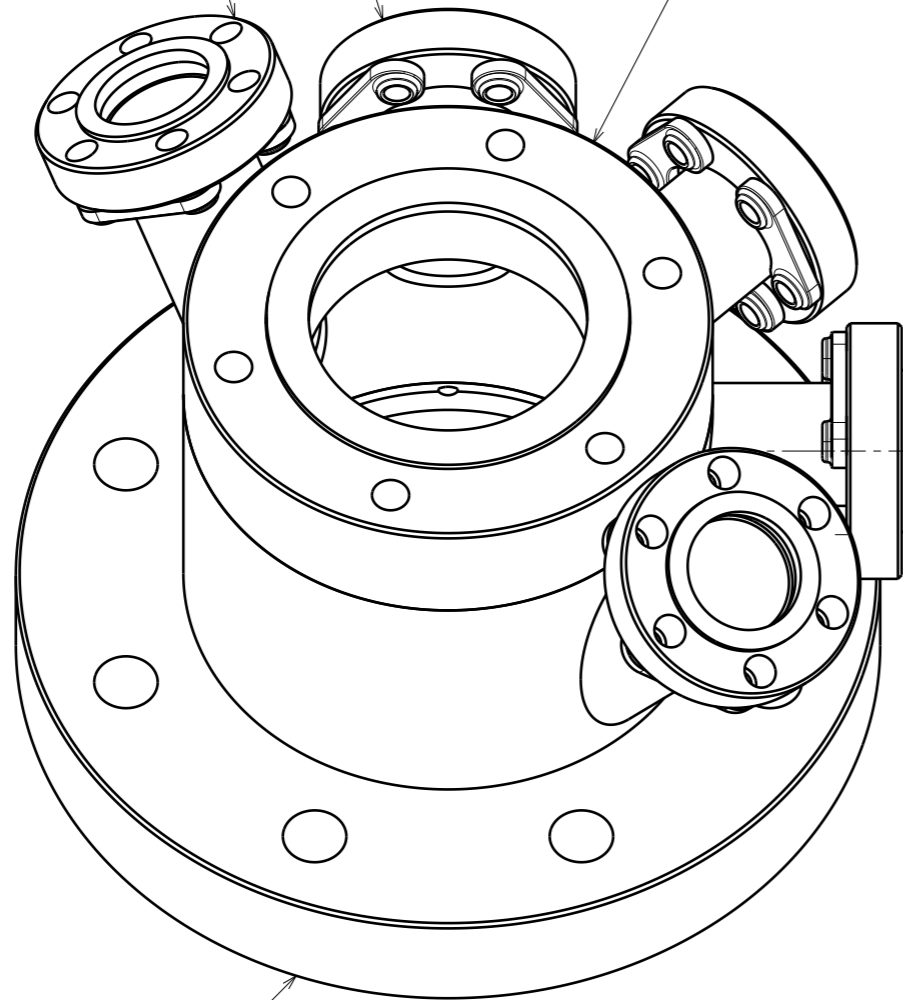


3 x DN16CF Tapped M4

2 x DN16CF Tapped M4

DN40CF Tapped M6

DN63CF



$\sqrt{\text{Ra 0.8}}$ ($\sqrt{\text{ }}$) $\begin{matrix} +0.2 \\ +0.1 \end{matrix}$ $\begin{matrix} -0.1 \\ -0.2 \end{matrix}$
 general tolerances ISO 2768-K

Gaskets included for all flanges.

Material: 1.4301	nominal dimension	over up to	1	6	30	100	300	1000
Multiport Chamber for Electrical Feedthroughs	tolerance	±	0.05	0.1	0.3	0.5	0.8	1.2
	Scale	Drawn	U. Maier					
1xDN63CF, 1xDN40CF, 3xDN16CF, 2xDN16CF at 30deg	Date	05.03.2024						
	Changed	22.07.2025 JB						
Ferrovac GmbH CH-8050 Zurich	THE INFORMATION CONTAINED IN THIS DRAWING IS THE SOLE PROPERTY OF FERROVAC GMBH. ANY REPRODUCTION IN PART OR AS WHOLE WITHOUT OUR PERMISSION IS PROHIBITED.							
	Rev.	B						
		1:1	MPCF63CF40T3XCF16 2XCF1630DEG A3 sheet 1/3					