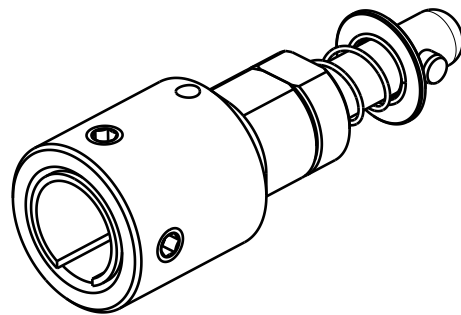
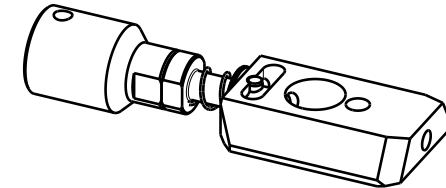
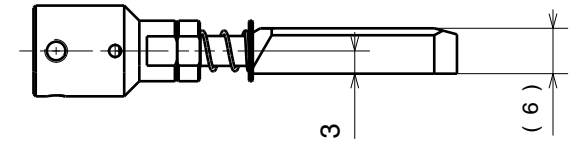
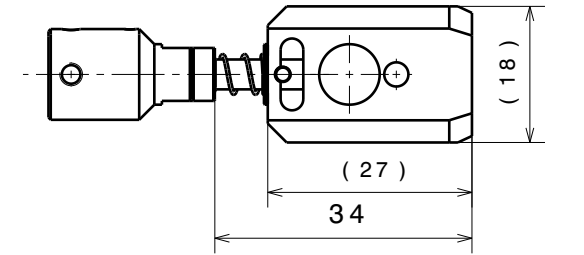
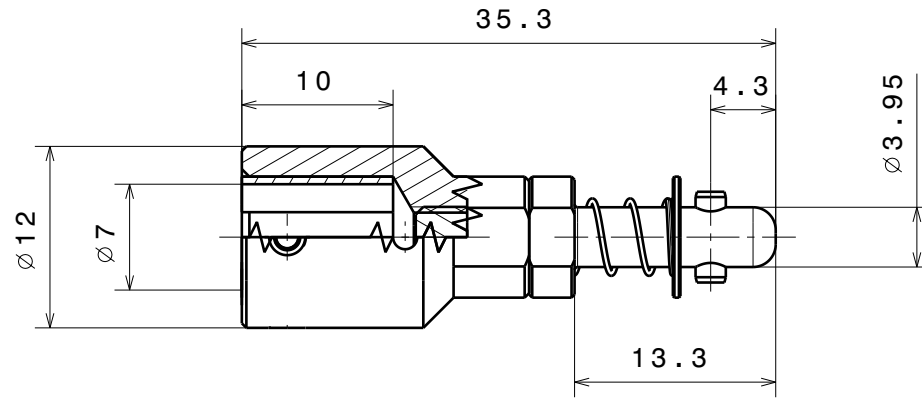


Application Example  
dove tail sample holder not incl.



$\sqrt{\text{Ra } 0.8}$  (✓)   
  $\swarrow \begin{matrix} +0.2 \\ +0.1 \end{matrix}$    
 $\searrow \begin{matrix} -0.1 \\ -0.2 \end{matrix}$

Material: fully UHV compatible		nominal $\leq 30\text{mm}$	DIN ISO 2768-f-H
		dimensions $> 30\text{mm}$	DIN ISO 2768-m-K excluding Sym./Runout
Grabber Tool ID 8mm for Dovetail Sample Holder		Sym./Runout $> 30\text{mm}$	DIN ISO 2768-H
GRABSHD07		formed part dimensions	DIN ISO 2768-f-H
		Scale	Drawn C.Strässle
		Date	19.04.2022
		Changed	17.02.2026 LJ
<b>Ferrovac</b> CH-8050 Zurich		2:1	A4 sheet 1/1
<small>THE INFORMATION CONTAINED IN THIS DRAWING IS THE SOLE PROPERTY OF FERROVAC. ANY REPRODUCTION IN PART OR AS WHOLE WITHOUT OUR PERMISSION IS PROHIBITED.</small>			
Rev.	B		