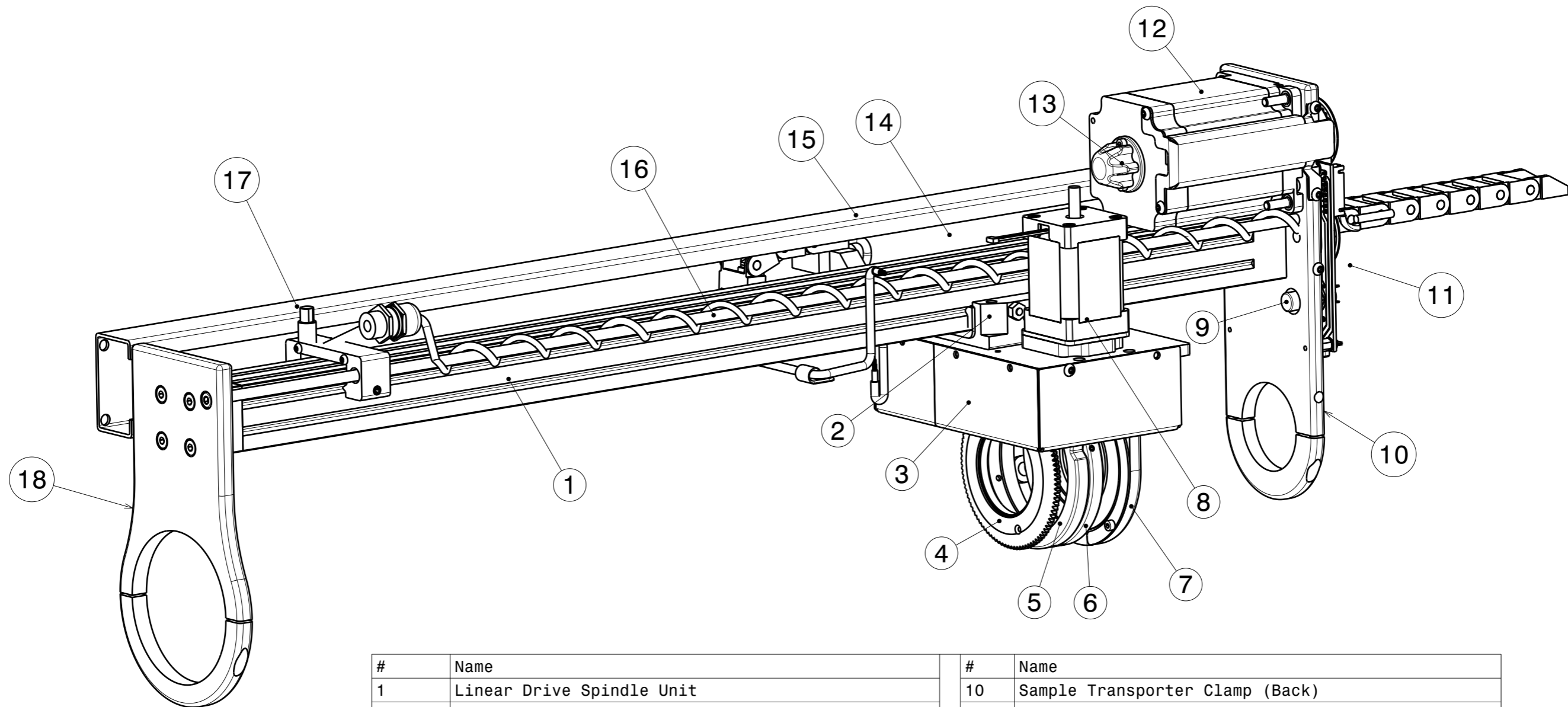


Material: various		nominal <30mm	DIN ISO 2768-f-H
		dimensions >30mm	DIN ISO 2768-m-K excluding Sym./Runout
		Sym./Runout >30mm	DIN ISO 2768-H
Motorized Linear and Rotary Drive for Sample Transporter		formed part dimensions	DIN ISO 2768-f-H
DRVRMOTLR		Scale	Drawn C.Weiss
Ferrovac		1:2	Date 13.01.2015
CH-8050 Zurich			Changed 24.04.2026 LJ
Rev.	F	DRVRMOTLR - XXXX	
		A3 sheet 1/3	

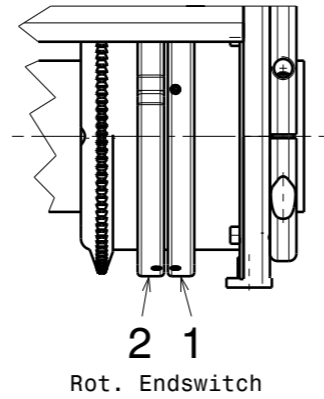
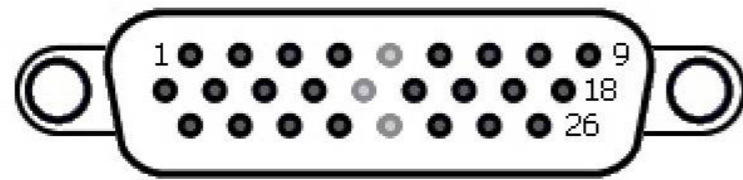
THE INFORMATION CONTAINED IN THIS DRAWING IS THE SOLE PROPERTY OF FERROVAC. ANY REPRODUCTION IN PART OR AS WHOLE WITHOUT OUR PERMISSION IS PROHIBITED.



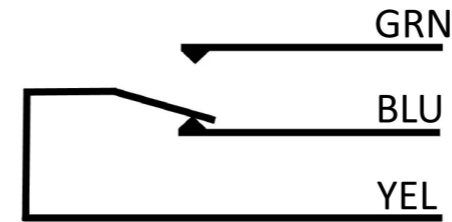
#	Name	#	Name
1	Linear Drive Spindle Unit	10	Sample Transporter Clamp (Back)
2	Linear Carrier	11	Cable / Gearbox Housing
3	Worm-Gearbox Housing	12	Linear Actuator Stepper Motor
4	Worm wheel	13	Motor Shaft Extension
5	Rotation Limit Switch Actuator 2	14	Cable Carrier/Chain
6	Rotation Limit Switch Actuator 1	15	Cable Carrier/Chain Guide Rail
7	Magnet Pickup Adapter (w. Knurled Rotational Lock Screw)	16	Cable Guide
8	Rotary Actuator Stepper Motor	17	Limit Switch (Front)
9	Limit Switch (Back)	18	Sample Transporter Clamp (Front)

Material: various		nominal <30mm	DIN ISO 2768-f-H
		dimensions >30mm	DIN ISO 2768-m-K excluding Sym./Runout
		Sym./Runout >30mm	DIN ISO 2768-H
Motorized Linear and Rotary Drive for Sample Transporter		formed part dimensions	DIN ISO 2768-f-H
DRVRMOTLR		Scale	Drawn C.Weiss
Ferrovac		1:2	Date 13.01.2015
CH-8050 Zurich			Changed 24.04.2026 LJ
THE INFORMATION CONTAINED IN THIS DRAWING IS THE SOLE PROPERTY OF FERROVAC. ANY REPRODUCTION IN PART OR AS WHOLE WITHOUT OUR PERMISSION IS PROHIBITED.		Rev. F	DRVRMOTLR - XXXX
			A3 sheet 2/3

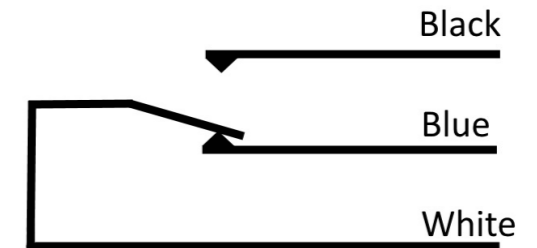
26 pin D-Sub connector,
male, panel mount



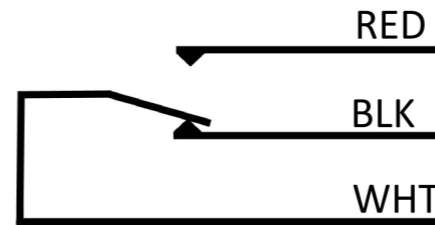
**Rotation
Limit Switch 1**



Reed Endswitch (Front)



**Rotation
Limit Switch 2**

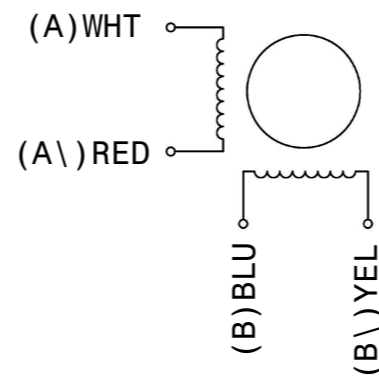


Endswitch (Back)

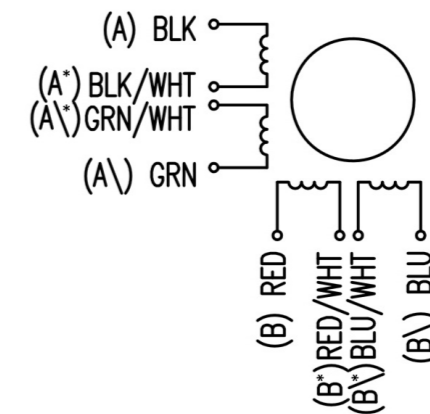


D-Sub Pin	Function	#
1	Linear Motor	(A)BLK
2	Linear Motor	(A*)BLK/WHT
3	Linear Motor	(B*)BLU/WHT
4	Rotary Motor	(A)WHT
5		
6	Rotation Limit Switch 1	GRN
7	Rotation Limit Switch 2	BLK
8	Limit Switch (Back)	1
9	Limit Switch (Front)	blue
10	Linear Motor	(A\)GRN
11	Linear Motor	(A*)GRN/WHT
12	Linear Motor	(B\)BLU
13	Rotary Motor	(A\)RED
14		
15	Rotation Limit Switch 1	YEL
16	Rotation Limit Switch 2	WHT
17	Endswitch (Back)	2
18	Limit Switch (Front)	white
19	Linear Motor	(B)RED
20	Linear Motor	(B*)RED/WHT
21	Rotary Motor	(B)BLU
22	Rotary Motor	(B\)YEL
23		
24	Rotation Limit Switch 1	BLU
25	Rotation Limit Switch 2	RED
26	Limit Switch (Front)	black

Rotary Motor Schematic



Linear Motor Schematic



Material: various

Motorized Linear and Rotary Drive
for Sample Transporter

DRVRMOTLR

Ferrovac
CH-8050 Zurich

THE INFORMATION CONTAINED IN THIS
DRAWING IS THE SOLE PROPERTY OF
FERROVAC. ANY REPRODUCTION
IN PART OR AS WHOLE WITHOUT OUR
PERMISSION IS PROHIBITED.

nominal <30mm
dimensions >30mm
Sym./Runout >30mm

DIN ISO 2768-f-H
DIN ISO 2768-m-K excluding Sym./Runout
DIN ISO 2768-H

formed part
dimensions

DIN ISO 2768-f-H

Scale	Drawn	C.Weiss
1:2	Date	13.01.2015
	Changed	24.04.2026 LJ

Rev.	F	DRVRMOTLR - XXXX
		A3 sheet 3/3