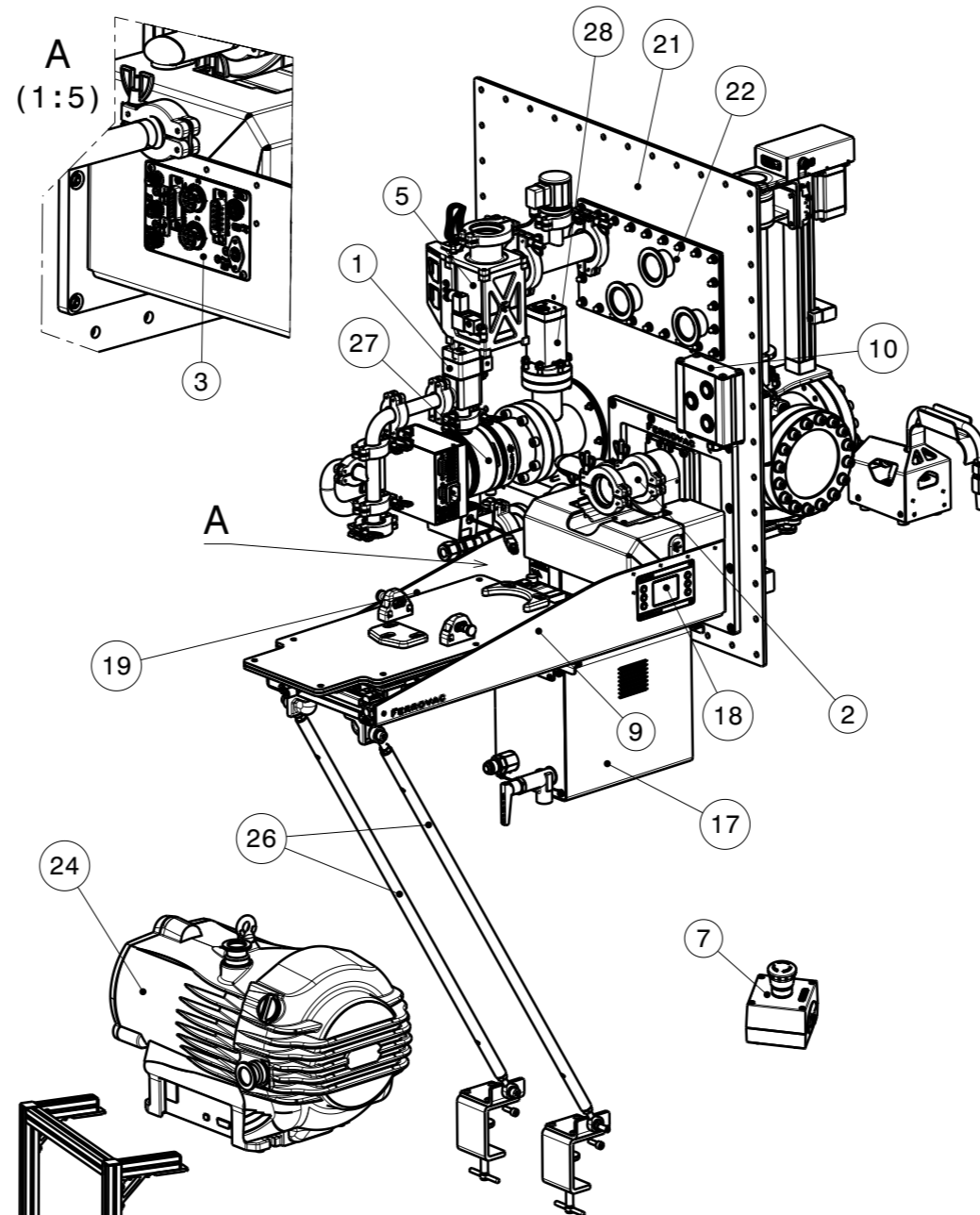


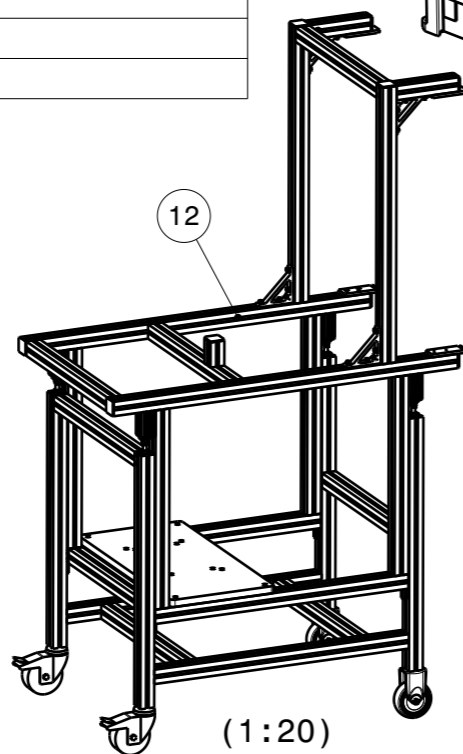
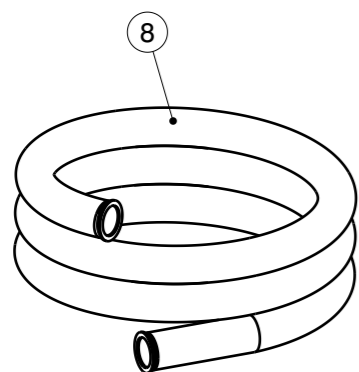
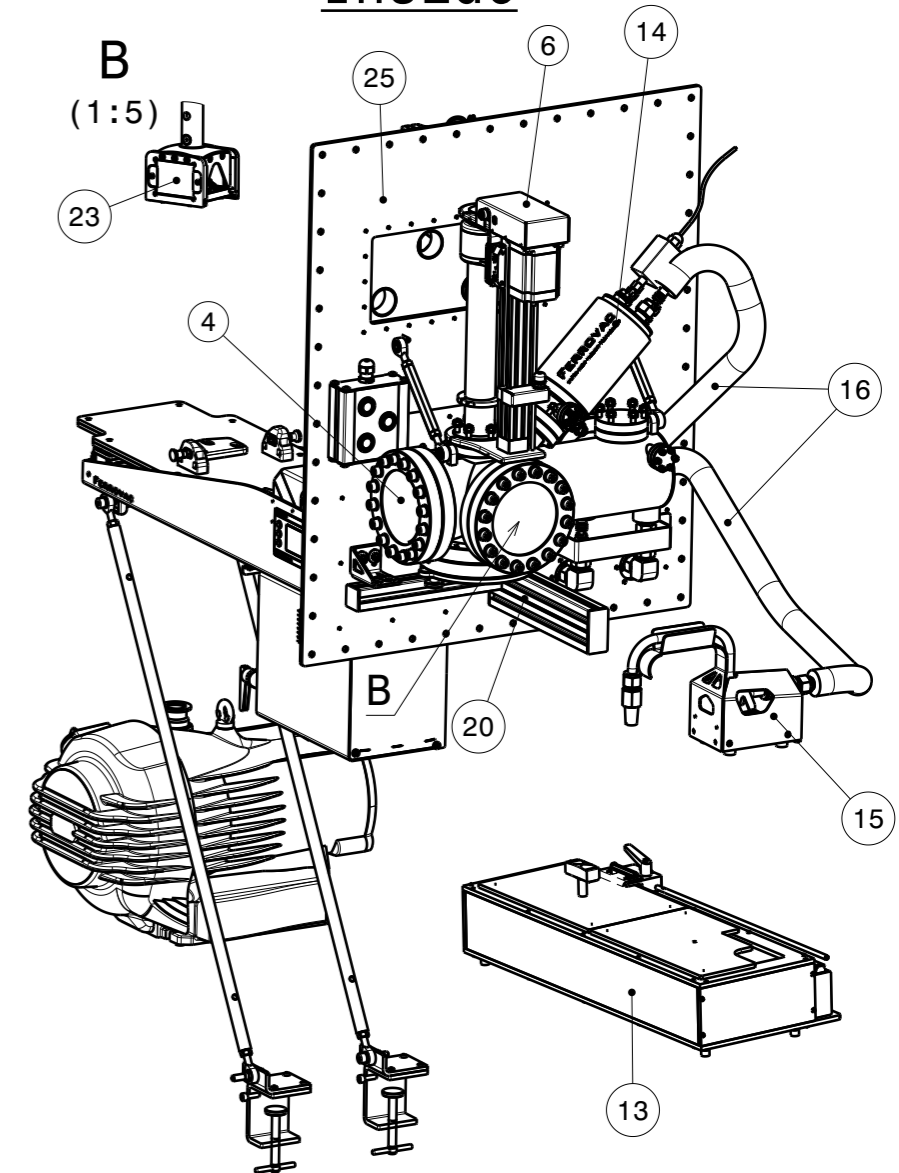
Nomenclature

#	Name
1	Angle Valve Cryo Load Lock
2	Buffer Volume
3	Connection Hub / Controller Connection Panel
4	Cryo Load Lock
5	Electrical Pressure Relief Valve Kit / Over Pressure Vent Valve
6	Elevator: Motorized Sample Transporter
7	Emergency Stop Switch (Elevator)
8	Exhaust Gas Hose
9	FerroLoader Docking Station for Ultra High Vacuum Cryo Transfer Suitcases / Instrument Adaption Kit for Glove Boxes (IAKGB)
10	First Key Panel
11	Foot Pedal
12	Height Adjustable Trolley
13	Liquid Nitrogen Basin
14	Liquid Nitrogen Dewar with Level Sensor
15	Liquid Nitrogen Tap
16	Liquid Nitrogen Transfer Lines
17	Liquid Nitrogen Valve Panel
18	LSC Control Unit
19	Motor Controller
20	Positioning Angle Stop for LN2 Basin
21	Rectangular Flange Plate / Main Adaption Plate
22	Rectangular Flange Plate for various Feedthroughs / Feedthrough Panel
23	Sample Receptacle
24	Scroll Pump
25	Second Key Panel
26	Support Rod
27	Turbopump
28	Vacuum Gauge for Cryo Load Lock

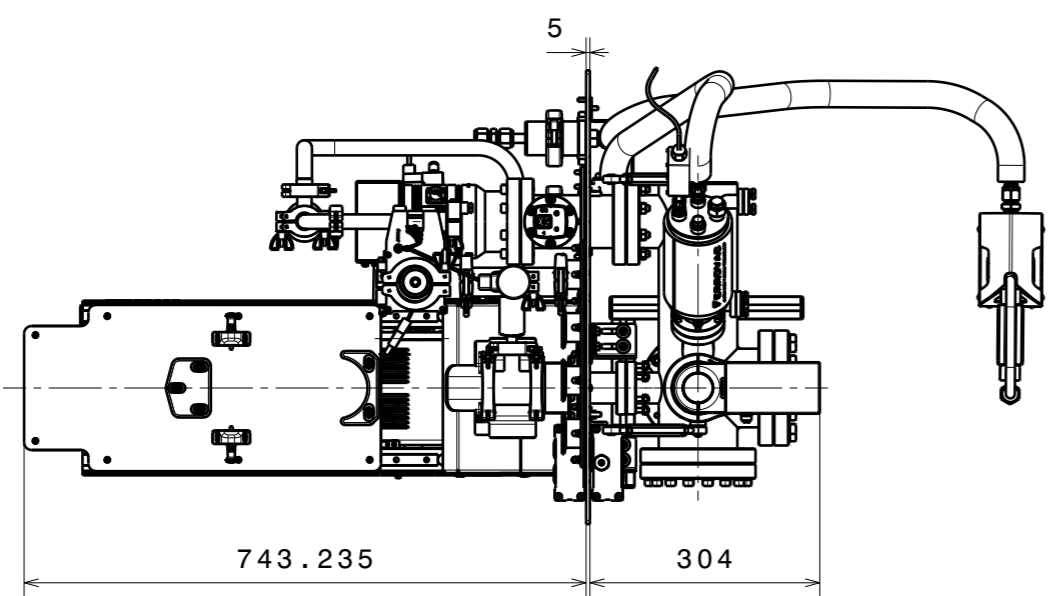
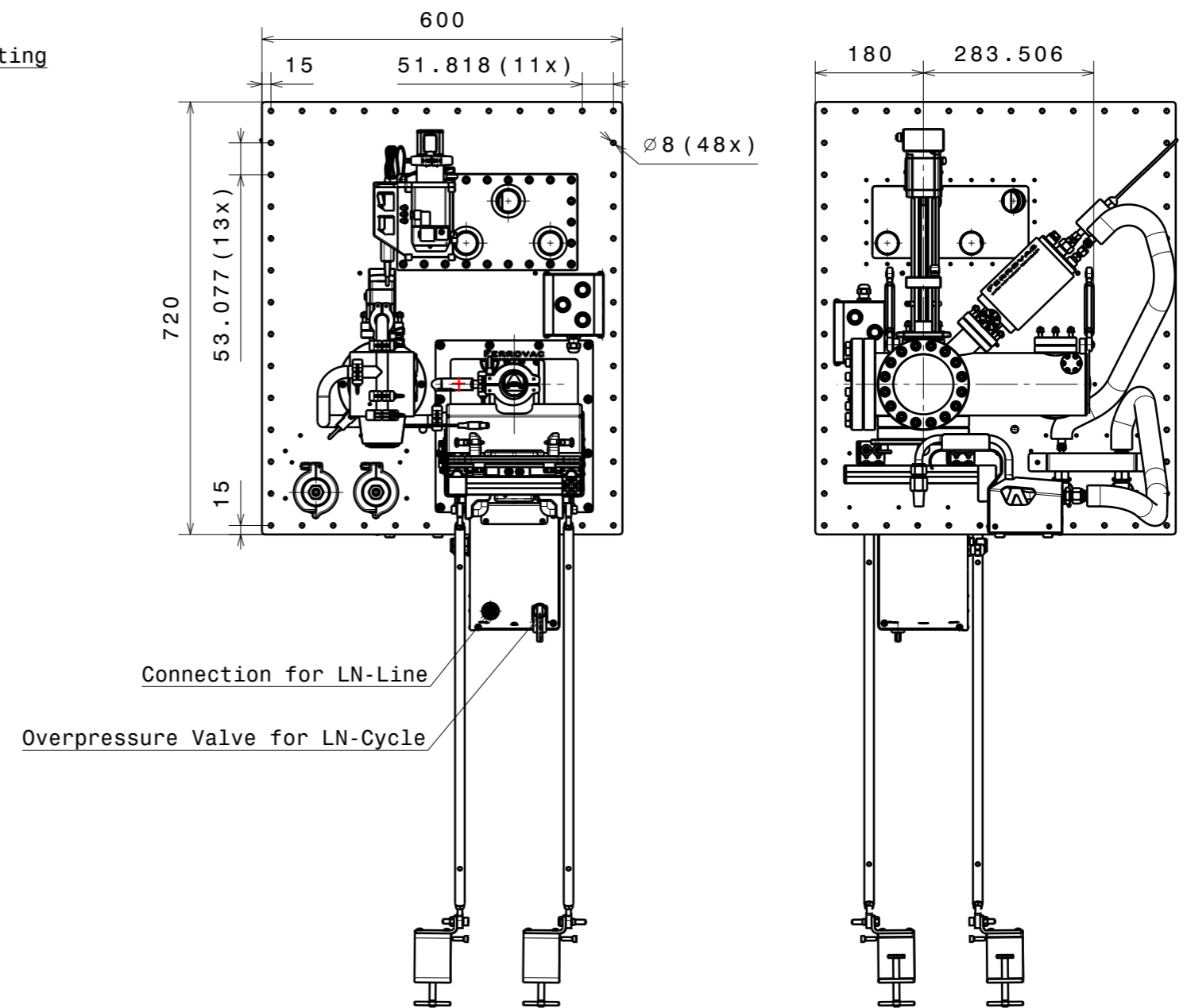
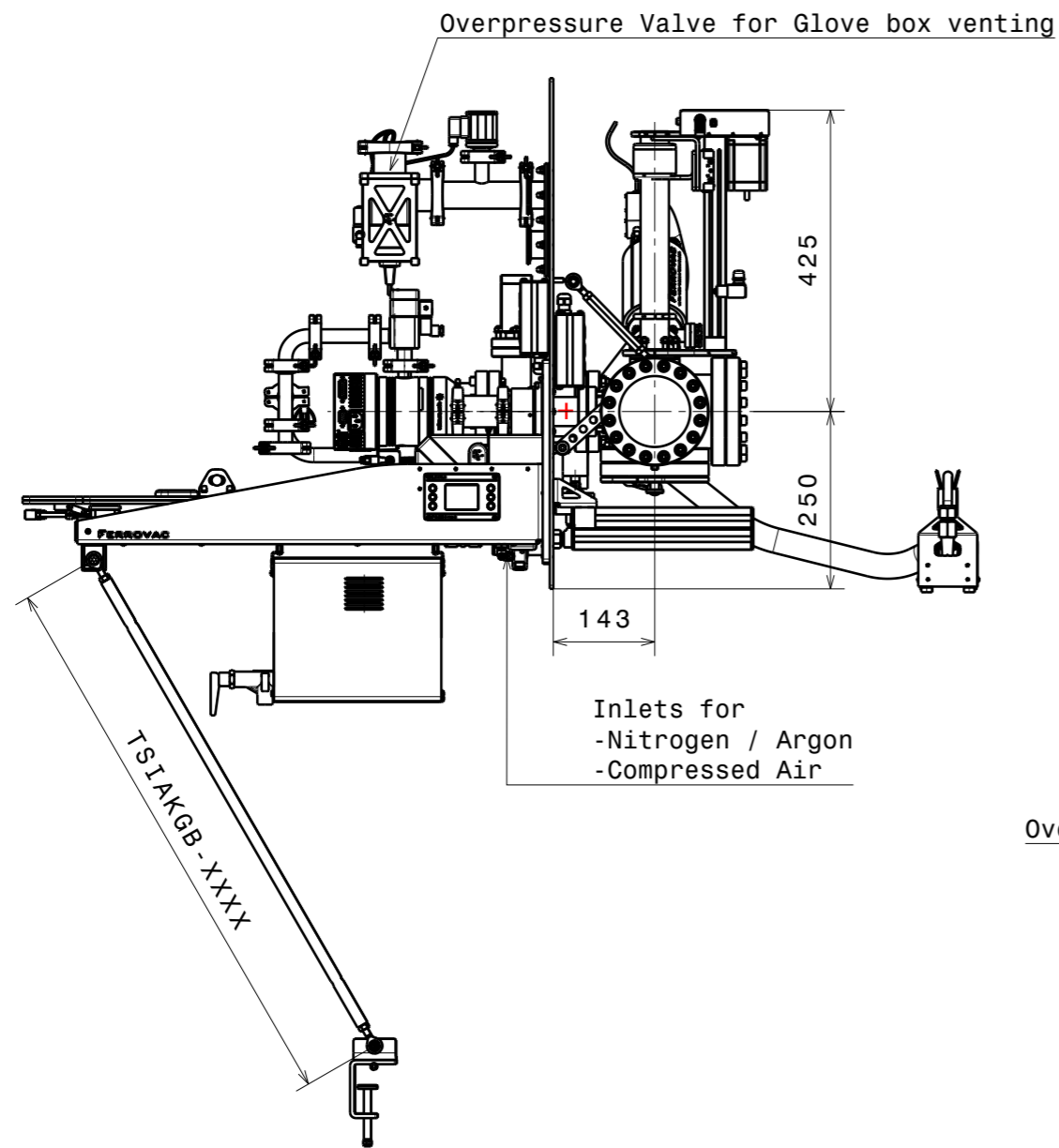
Outside



Inside



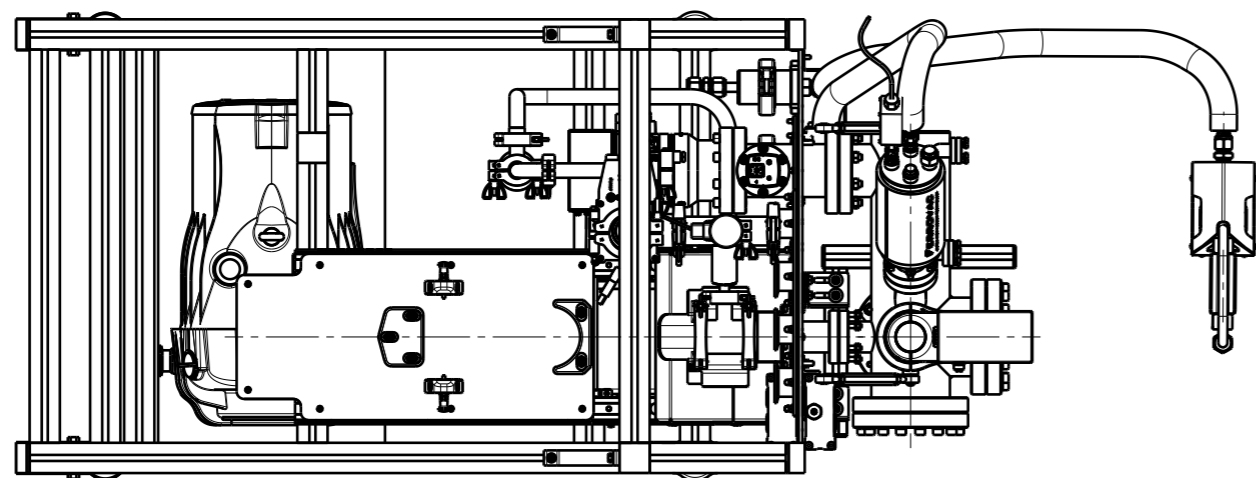
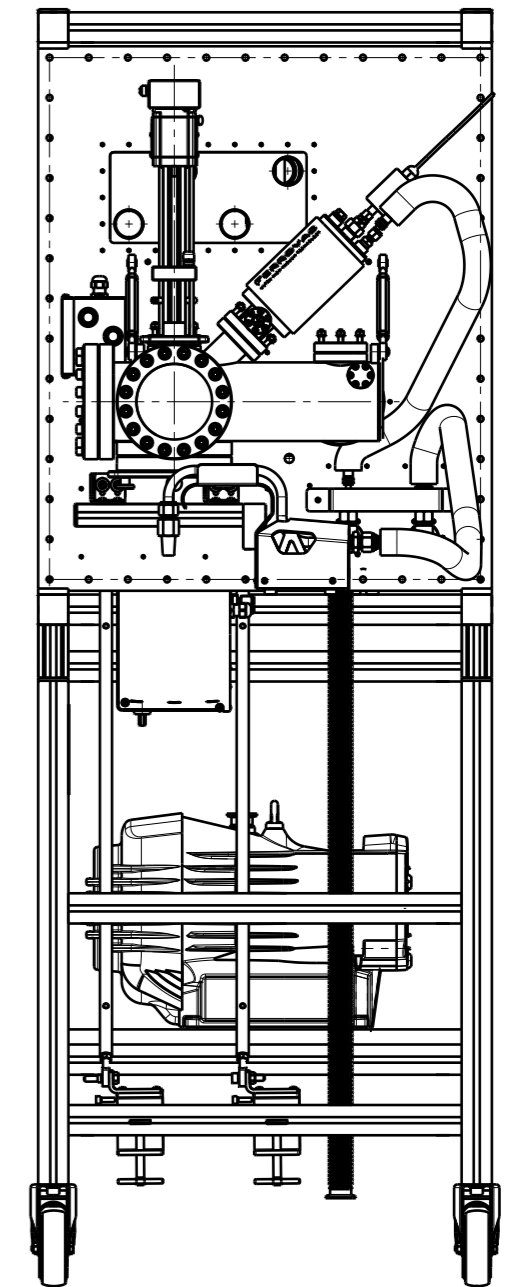
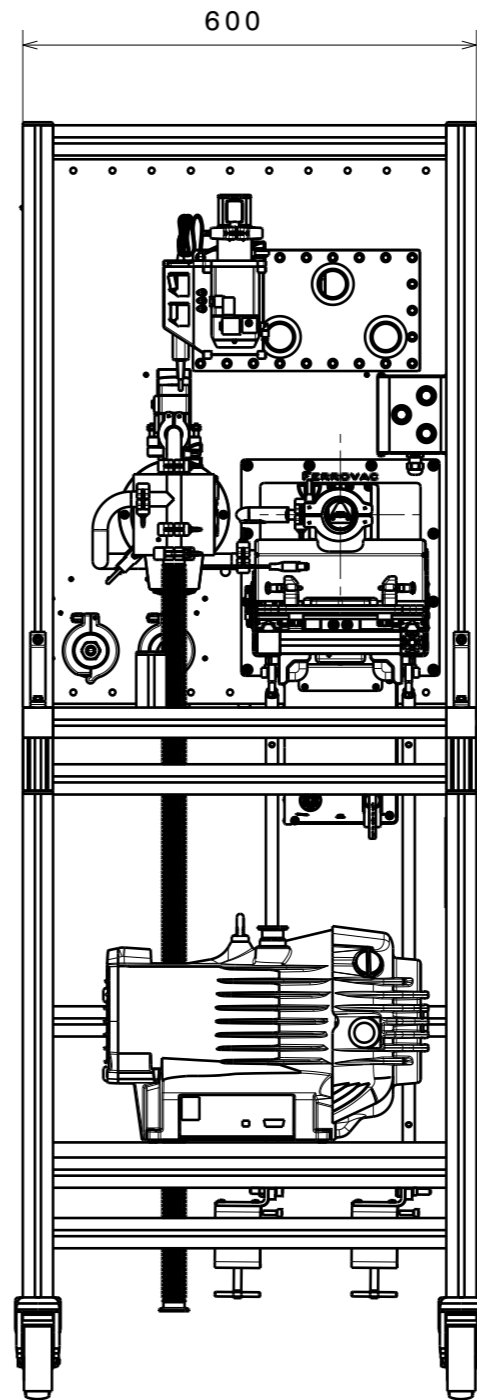
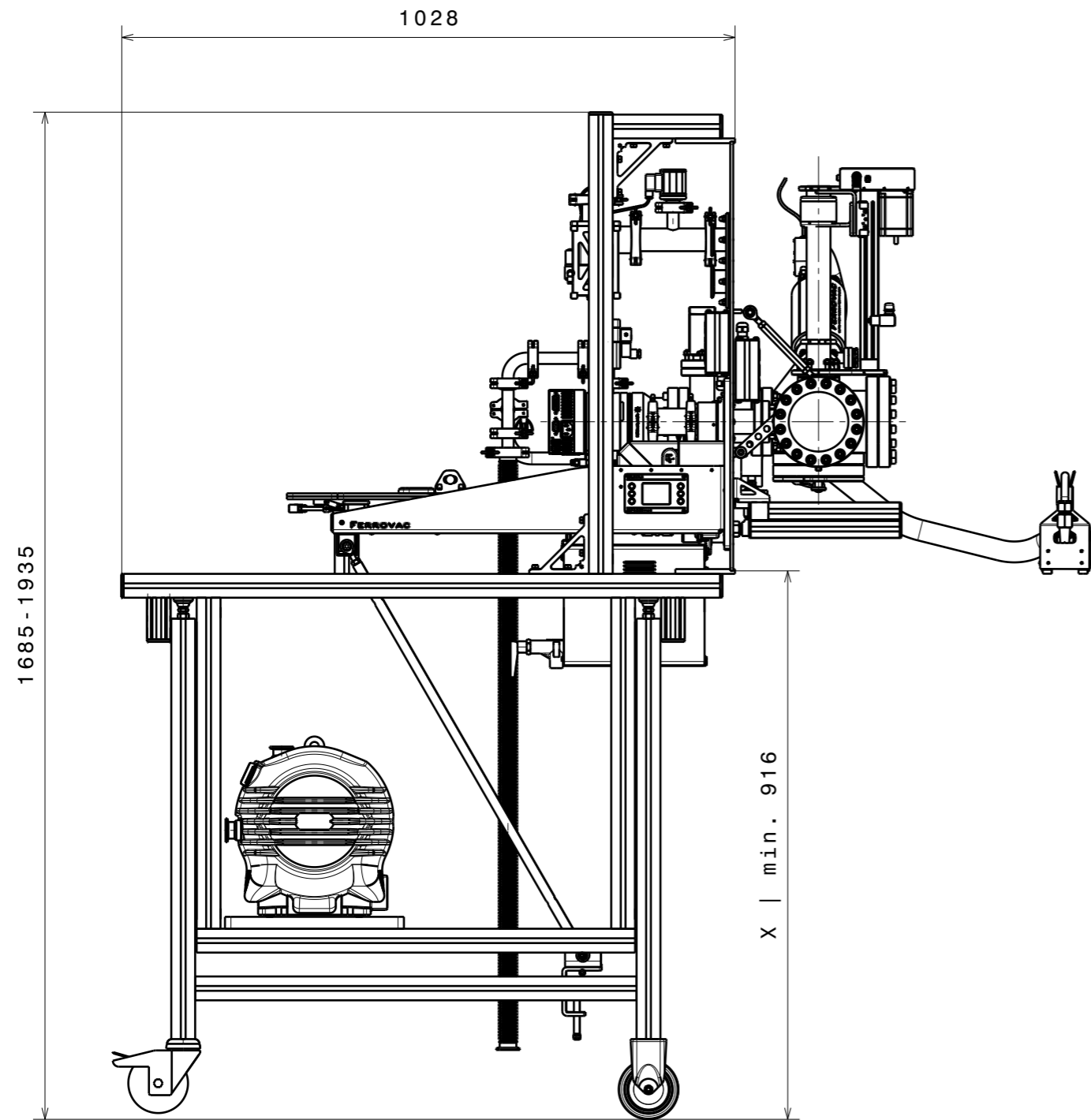
Material: Various	nominal <30mm dimensions >30mm	DIN ISO 2768-f-H DIN ISO 2768-m-K excluding Sym./Runout
Glove Box Extension Kit with FerroLoader Docking Station for UHVCTS and Cryo-Loading Station IEKGBCR(L)	Sym./Runout >30mm	DIN ISO 2768-H
	formed part dimensions	DIN ISO 2768-f-H
Ferrovac CH-8050 Zurich	Scale	Drawn C.Weiss
	1:10 (1:5) (1:20)	Date 15.09.2023 Changed LJ 16.04.2026
THE INFORMATION CONTAINED IN THIS DRAWING IS THE SOLE PROPERTY OF FERROVAC. ANY REPRODUCTION IN PART OR AS WHOLE WITHOUT OUR PERMISSION IS PROHIBITED.	Rev. B	IEKGBCR(L) A3 sheet 1/3



— Center of Gravity
Approx. Weight of system: ~100kg

Material: Various		nominal <30mm	DIN ISO 2768-f-H
		dimensions >30mm	DIN ISO 2768-m-K excluding Sym./Runout
Glove Box Extension Kit with FerroLoader Docking Station for UHVCTS and Cryo-Loading Station		Sym./Runout >30mm	DIN ISO 2768-H
IEKGBCR(L)		formed part dimensions	DIN ISO 2768-f-H
Scale	Drawn	L.Jeromin	
	Date	16.04.2026	
	Changed	
Ferrovac CH-8050 Zurich		1:10	IEKGBCR(L)
Rev.	B		A3 sheet 2/3

THE INFORMATION CONTAINED IN THIS DRAWING IS THE SOLE PROPERTY OF FERROVAC. ANY REPRODUCTION IN PART OR AS WHOLE WITHOUT OUR PERMISSION IS PROHIBITED.



Material: Various		nominal <30mm	DIN ISO 2768-f-H
		dimensions >30mm	DIN ISO 2768-m-K excluding Sym./Runout
Glove Box Extension Kit installation Trolley		Sym./Runout >30mm	DIN ISO 2768-H
		formed part dimensions	DIN ISO 2768-f-H
Scale	Drawn	C.Weiss	
	Date	15.09.2023	
	Changed	LJ 16.04.2026	
		IEKGBCR (L)	
		A3 sheet 3/3	
Ferrovac CH-8050 Zurich		THE INFORMATION CONTAINED IN THIS DRAWING IS THE SOLE PROPERTY OF FERROVAC. ANY REPRODUCTION IN PART OR AS WHOLE WITHOUT OUR PERMISSION IS PROHIBITED.	
Rev.	B	1:10	