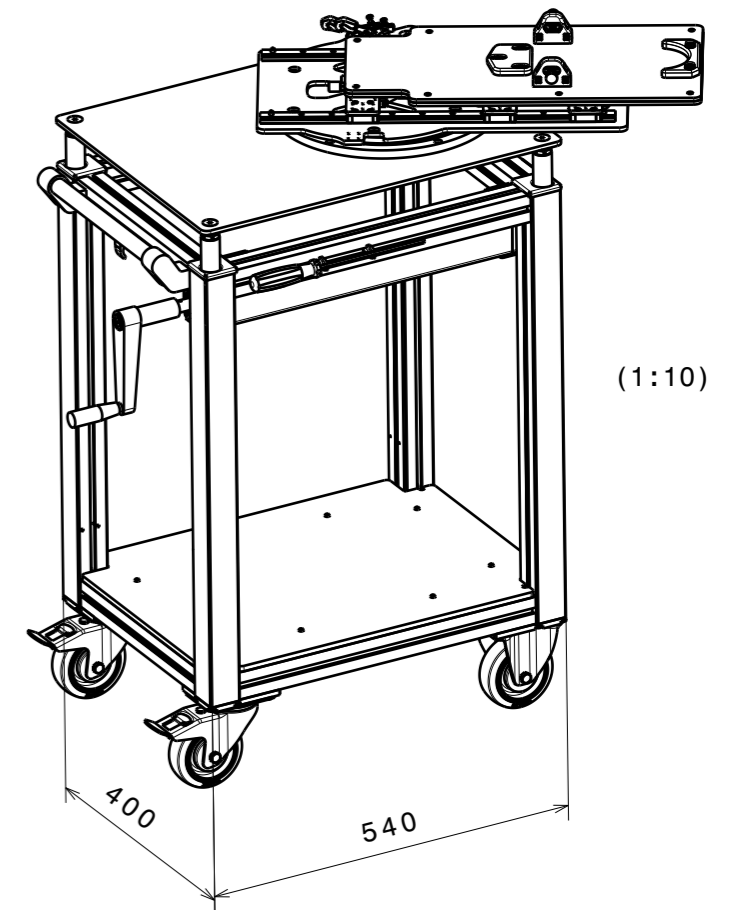
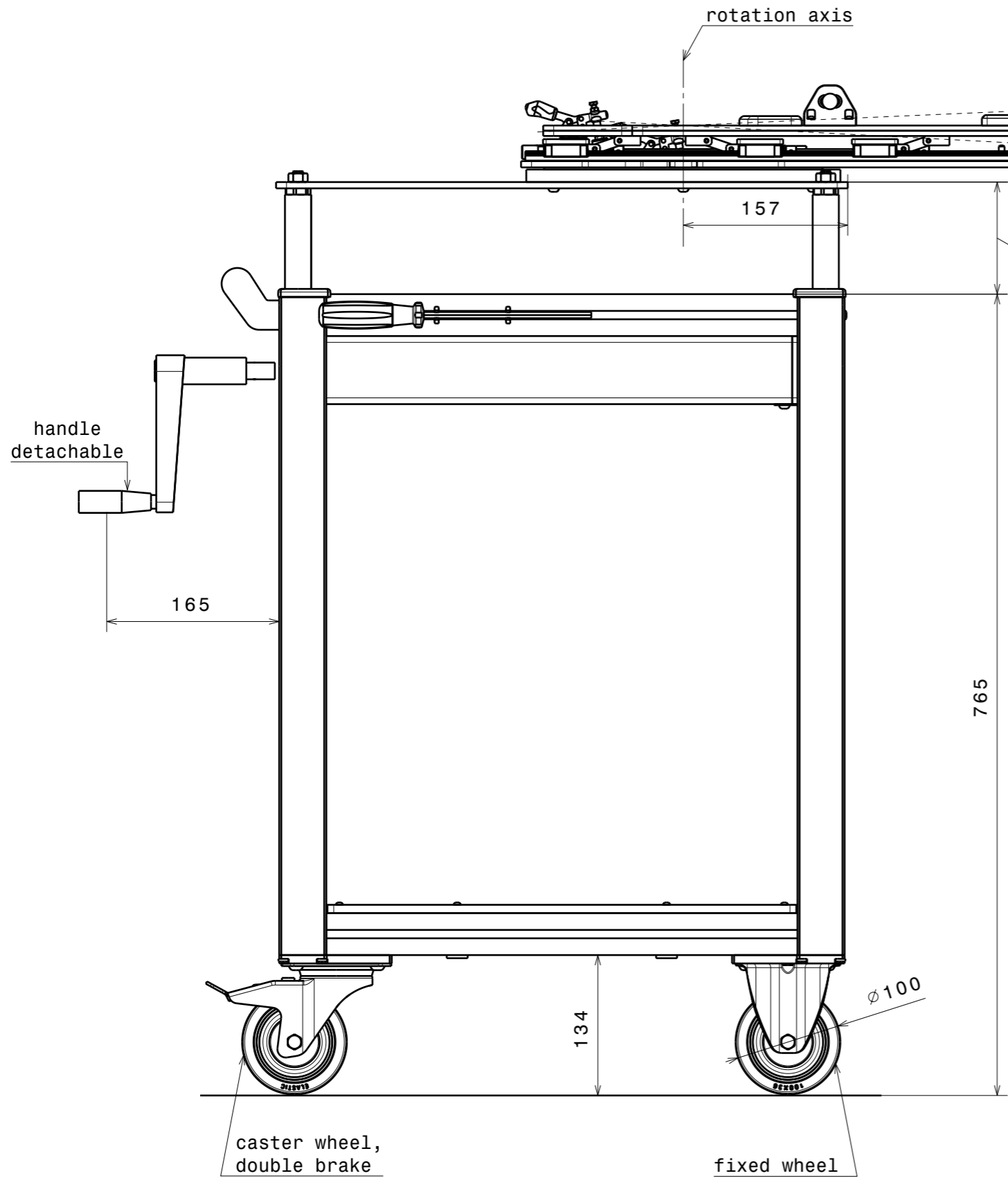
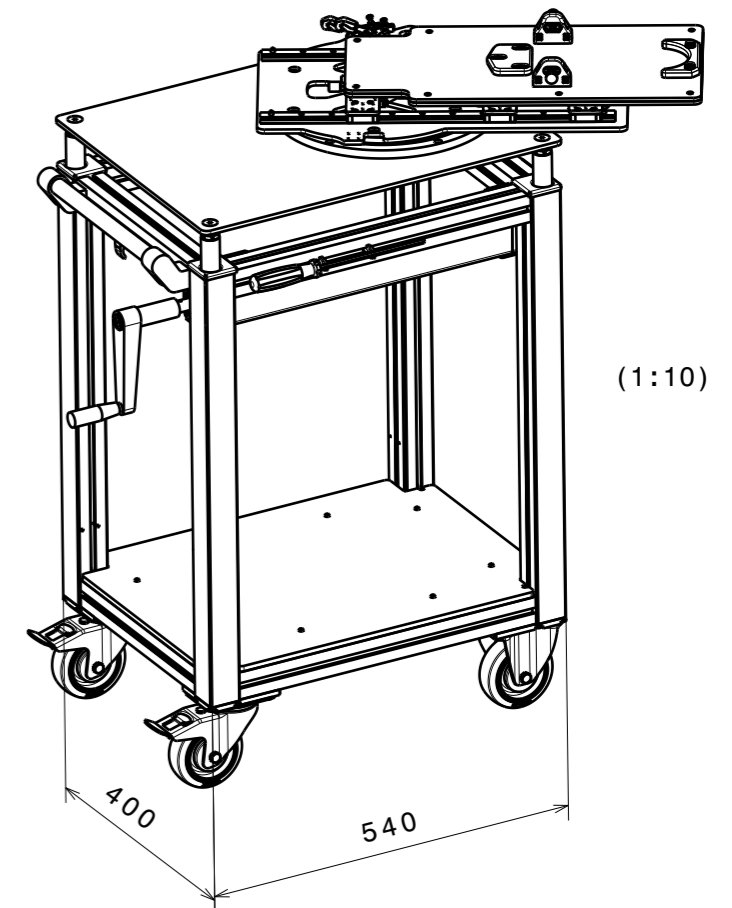
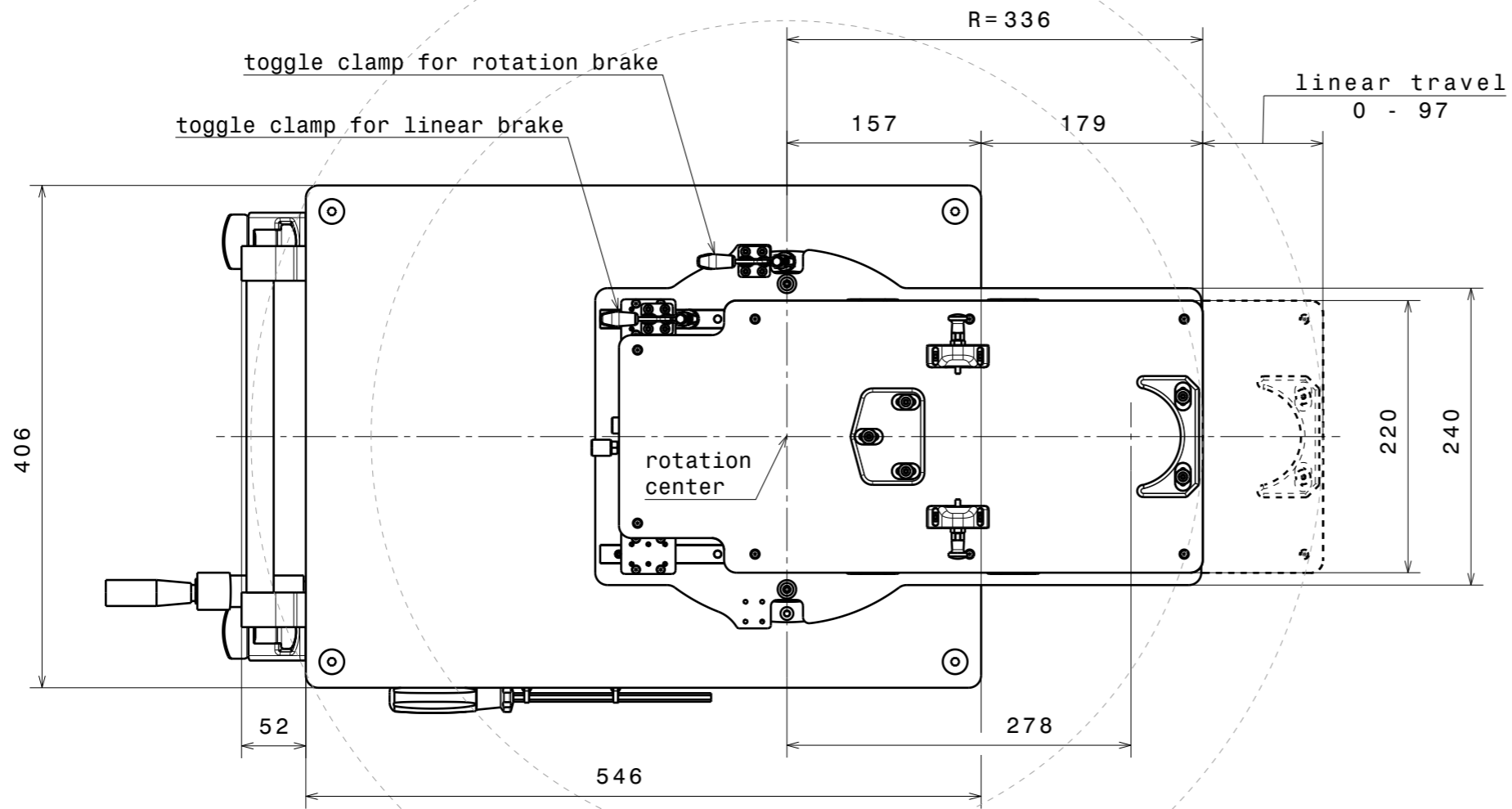


side view

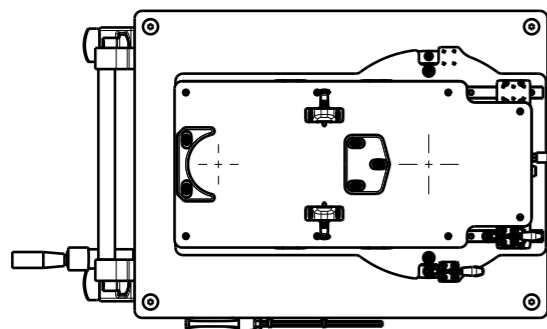


Material: -	nominal <30mm dimensions >30mm	DIN ISO 2768-f-H DIN ISO 2768-m-K excluding Sym./Runout	
Support Trolley for Universal Suitcase Docking FRMCARTZXRVS	Sym./Runout >30mm	DIN ISO 2768-H	
	formed part dimensions	DIN ISO 2768-f-H	
Ferrovac CH-8050 Zurich	Scale	Drawn C.Strässle	
	1:5 (1:10)	Date	01.12.2023
		Changed	17.03.2026 CW
THE INFORMATION CONTAINED IN THIS DRAWING IS THE SOLE PROPERTY OF FERROVAC. ANY REPRODUCTION IN PART OR AS WHOLE WITHOUT OUR PERMISSION IS PROHIBITED.	Rev. F	FRMCARTZXRVS A3 sheet 1/3	

top view

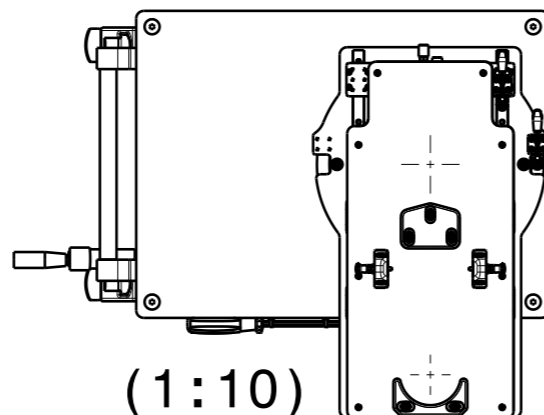


Tranpost Position



(1:10)

Docking Perpendicular



(1:10)

Material: -

Support Trolley for Universal Suitcase Docking

FRMCARTZXRVS

Ferrovac
CH-8050 Zurich

THE INFORMATION CONTAINED IN THIS DRAWING IS THE SOLE PROPERTY OF FERROVAC. ANY REPRODUCTION IN PART OR AS WHOLE WITHOUT OUR PERMISSION IS PROHIBITED.

nominal <30mm DIN ISO 2768-f-H
dimensions >30mm DIN ISO 2768-m-K excluding Sym./Runout
Sym./Runout >30mm DIN ISO 2768-H

formed part dimensions DIN ISO 2768-f-H

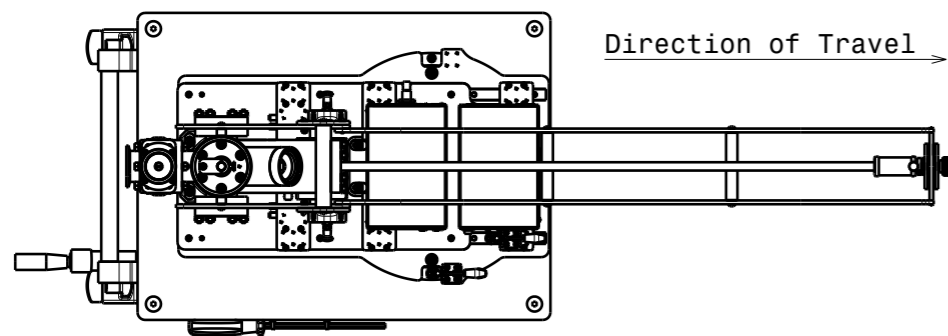
Scale	Drawn	C.Strässle
1:5 (1:10)	Date	01.12.2023
	Changed	17.03.2026 CW

FRMCARTZXRVS

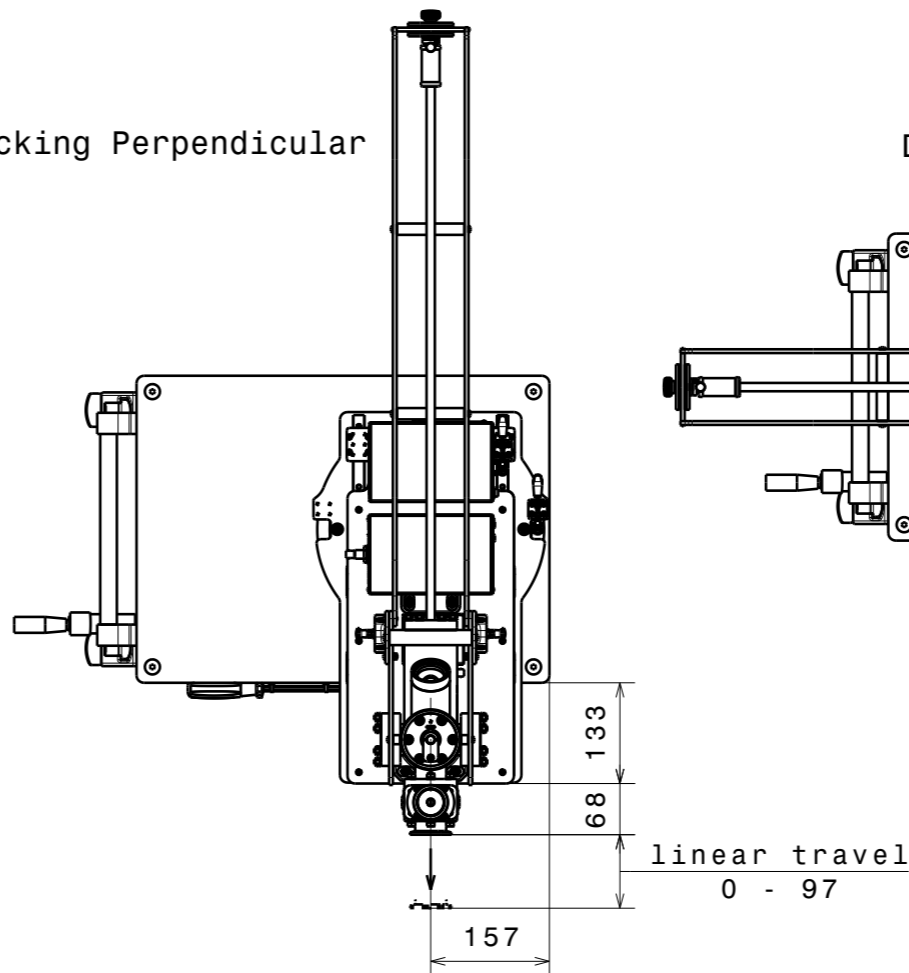
Rev. F A3 sheet 2/3

application wit UHV suitcase VSN40S(VRV)

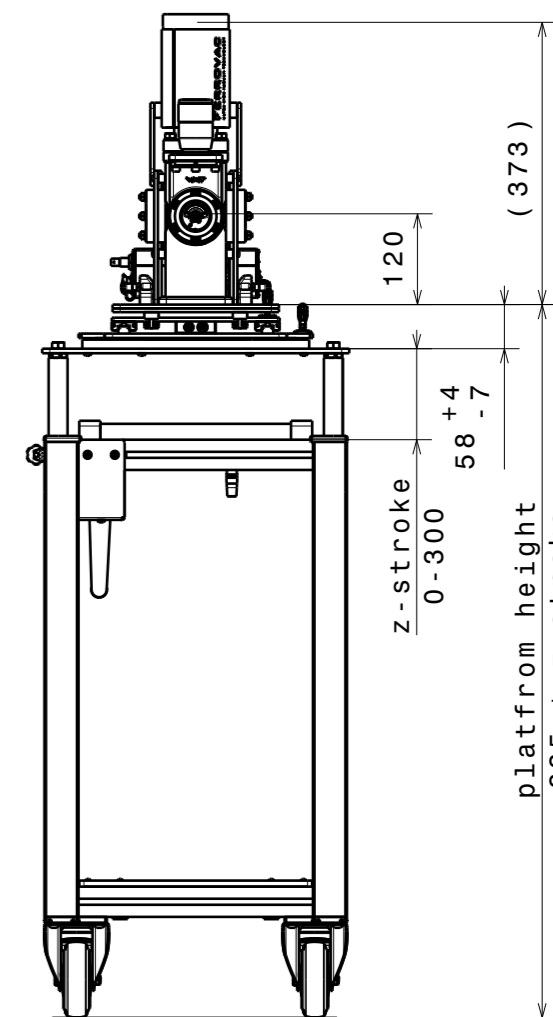
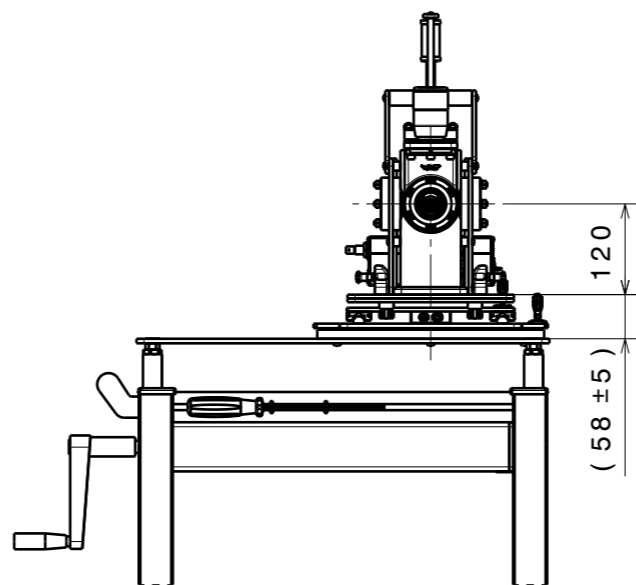
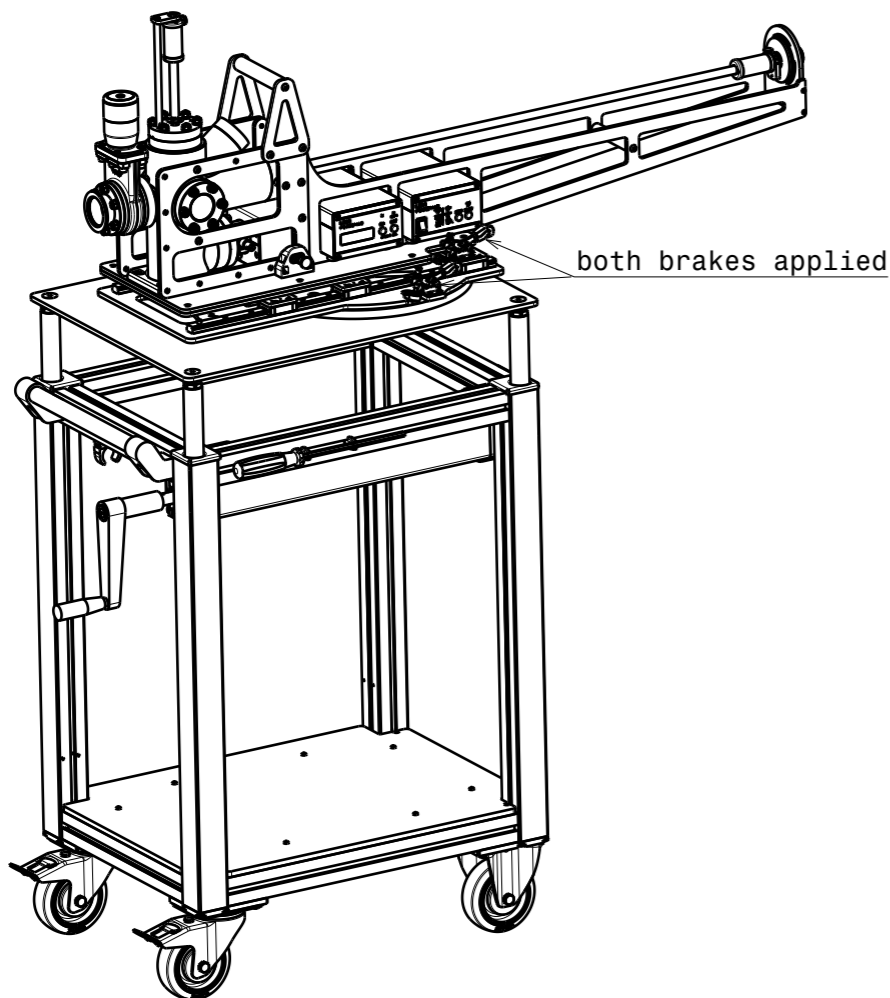
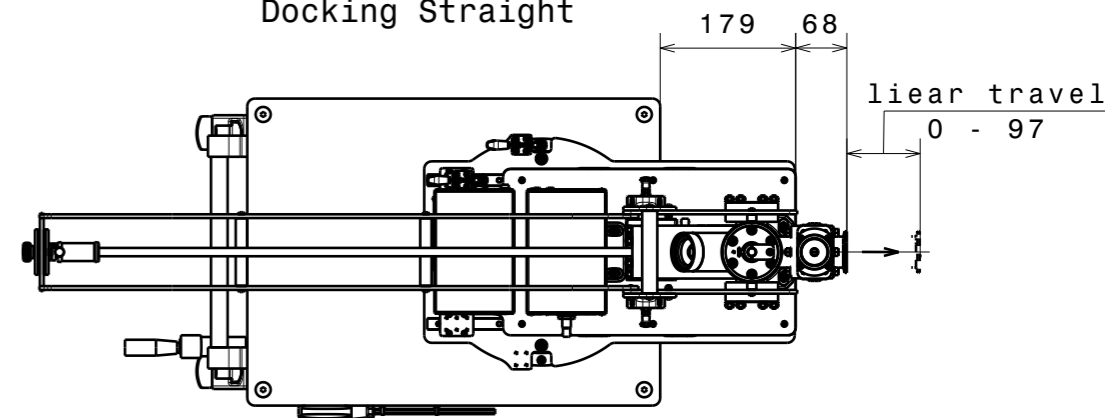
Transport Position



Docking Perpendicular



Docking Straight



Material: -	nominal <30mm	DIN ISO 2768-f-H
	dimensions >30mm	DIN ISO 2768-m-K excluding Sym./Runout
	Sym./Runout >30mm	DIN ISO 2768-H
Support Trolley for Universal Suitcase Docking	formed part dimensions	DIN ISO 2768-f-H
FRMCARTZXRVS - VSN40S(VRV)	Scale	Drawn C.Strässle
		Date 01.12.2023
		Changed 17.03.2026 CW
Ferrovac	1:10	FRMCARTZXRVS
CH-8050 Zurich		A3 sheet 3/3
THE INFORMATION CONTAINED IN THIS DRAWING IS THE SOLE PROPERTY OF FERROVAC. ANY REPRODUCTION IN PART OR AS WHOLE WITHOUT OUR PERMISSION IS PROHIBITED.	Rev. F	