

∇ Ra 0.8 (✓) \swarrow $\begin{matrix} +0.2 \\ +0.1 \end{matrix}$ \searrow $\begin{matrix} -0.1 \\ -0.2 \end{matrix}$
 general tolerances ISO 2768-K

Material: all materials uhv compatible

Receiver for SHOME C13
Slim Version

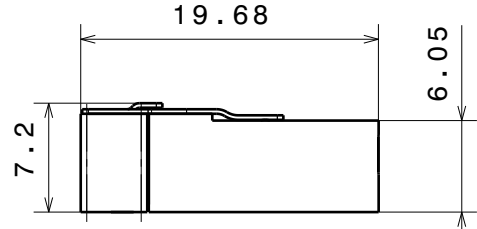
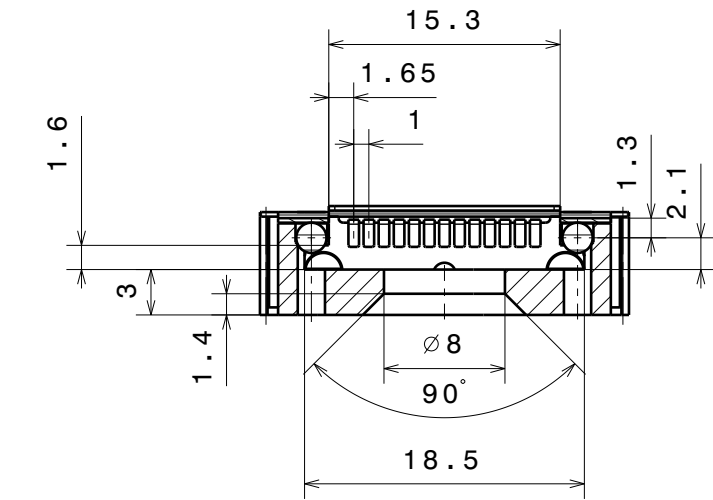
with 13 electrical contacts

Ferrovac
CH-8050 Zurich

THE INFORMATION CONTAINED IN THIS DRAWING IS THE SOLE PROPERTY OF FERROVAC GMBH. ANY REPRODUCTION IN PART OR AS WHOLE WITHOUT OUR PERMISSION IS PROHIBITED.

nominal dimension	over up to	1	6	30	100	300	1000
tolerance	±	0.05	0.1	0.3	0.5	0.8	1.2
Scale	Drawn	C.Weiss					
3:1 (2:1)	Date	21.06.2017					
	Changed	24.08.23 DC					
Rev.	D	RECOME C13 sheet 1/3					

A-A

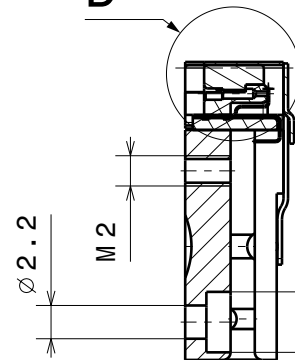
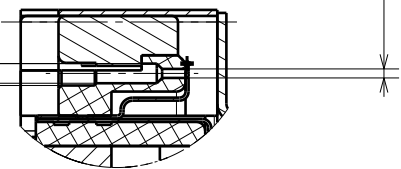


max. outer cabel $\varnothing 0.8$

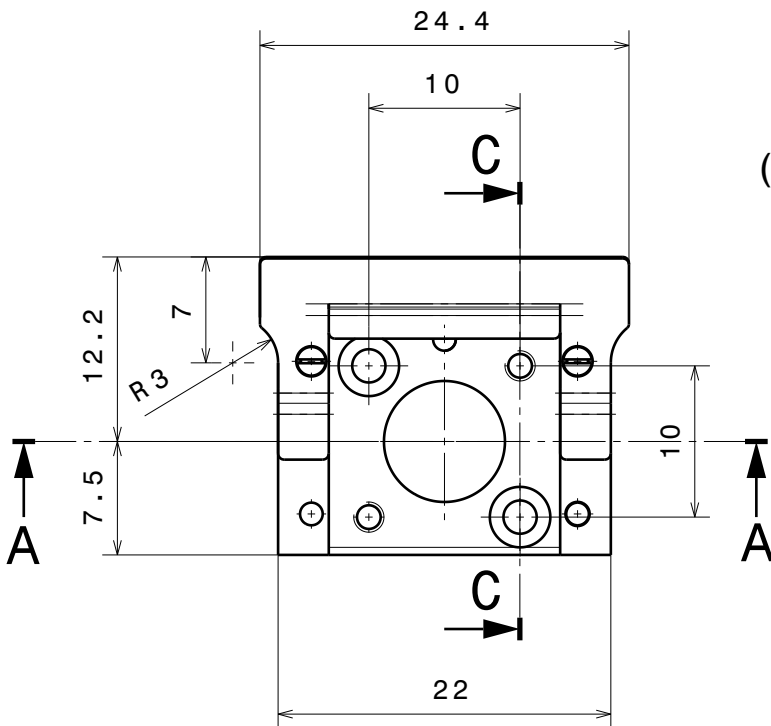
min. outer cabel $\varnothing 0.65$

cross section max. $\varnothing 0.3$

D
(4:1)



C-C



∇ Ra 0.8 (✓) \swarrow $\begin{matrix} +0.2 \\ +0.1 \end{matrix}$ \searrow $\begin{matrix} -0.1 \\ -0.2 \end{matrix}$
 general tolerances ISO 2768-K

Material: all materials uhv compatible

Receiver for SHOME C13
with 13 electrical contacts

Ferrovac
CH-8050 Zurich

THE INFORMATION CONTAINED IN THIS DRAWING IS THE SOLE PROPERTY OF FERROVAC GMBH. ANY REPRODUCTION IN PART OR AS WHOLE WITHOUT OUR PERMISSION IS PROHIBITED.

nominal dimension	over up to	1	6	30	100	300	1000
tolerance	\pm	0.05	0.1	0.3	0.5	0.8	1.2

Scale Drawn C.Weiss

Date 21.06.2017

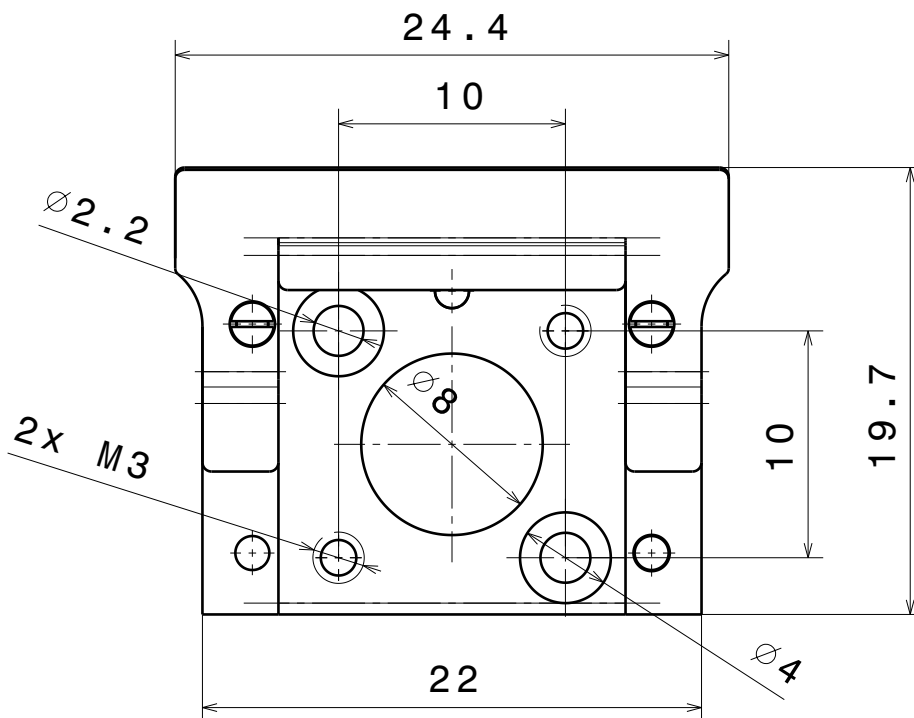
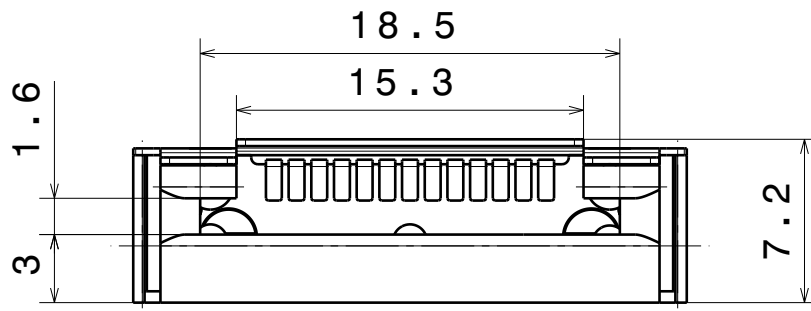
Changed 23.08.23 DC

2:1

RECOME C13

sheet 2/3

Rev. D



∇ Ra 0.8 (✓) \swarrow $\begin{matrix} +0.2 \\ +0.1 \end{matrix}$ \searrow $\begin{matrix} -0.1 \\ -0.2 \end{matrix}$
 general tolerances ISO 2768-K

Material: all materials uhv compatible

Receiver for SHOME C13
Slim Version

with 13 electrical contacts

Ferrovac
CH-8050 Zurich

THE INFORMATION CONTAINED IN THIS DRAWING IS THE SOLE PROPERTY OF FERROVAC GMBH. ANY REPRODUCTION IN PART OR AS WHOLE WITHOUT OUR PERMISSION IS PROHIBITED.

nominal dimension	over up to	1	6	30	100	300	1000
tolerance	±	0.05	0.1	0.3	0.5	0.8	1.2

Scale Drawn C.Weiss

Date 21.06.2017

Changed 24.08.23 DC

3:1
(2:1)

RECOME C13

sheet 2/3

Rev. D