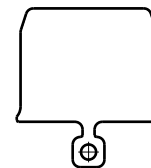
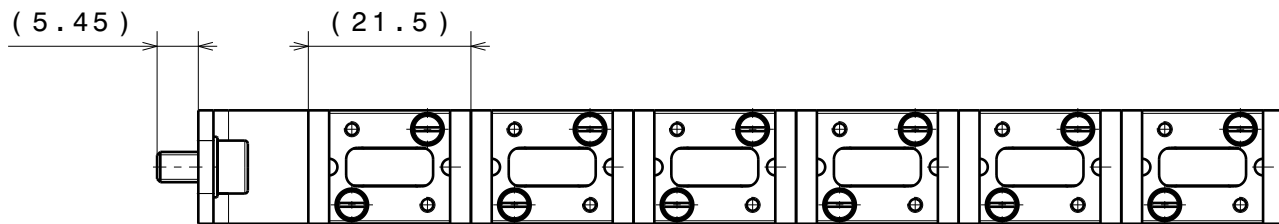
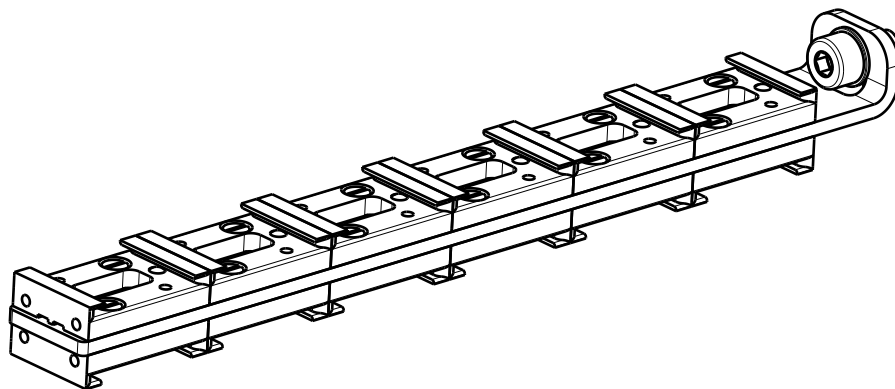


Distances from transfer / rotation axis
to sample plate surfaces:
Top layer: 0.5mm
Bottom layer: 10mm



Sample plate not included
in scope of delivery.



Material: fully UHV compatible		nominal	over	1	6	30	100	300	1000
In-Line Sample Carrier for 2X6 Flag Style Sample Plates		dimension up to		6	30	100	300	1000	2000
SCOM		tolerance ±		-	-	-	-	-	-
Scale		Drawn	D.Rechsteiner						
1:1		Date	05.04.2016						
Rev. B		changed	21.10.2025 JB						
Ferrovac GmbH CH-8050 Zurich		<small>THE INFORMATION CONTAINED IN THIS DRAWING IS THE SOLE PROPERTY OF FERROVAC GMBH. ANY REPRODUCTION IN PART OR AS WHOLE WITHOUT OUR PERMISSION IS PROHIBITED.</small>		SCOM2X6					