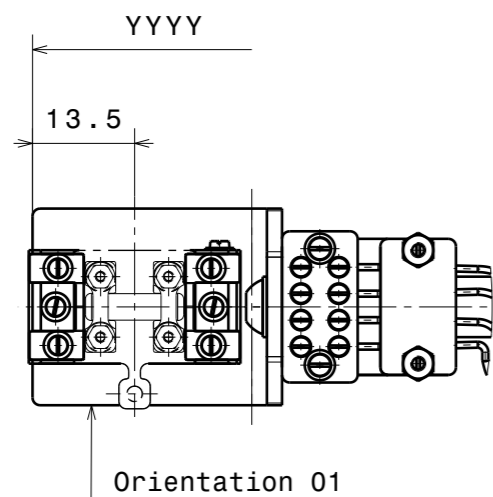
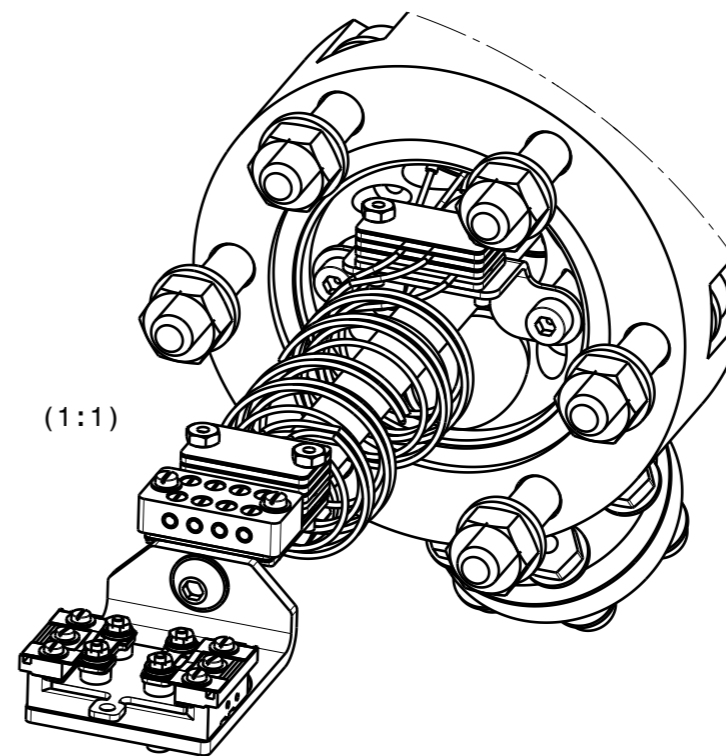
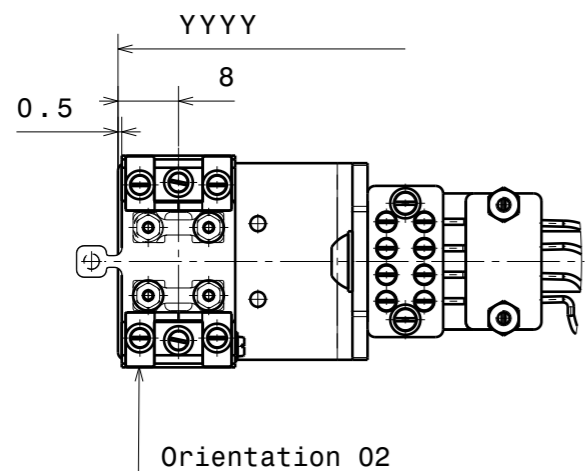


Terminal	Function
A	heater
B	if incl.: TC - (Ni-Al)
C	if incl.: TC + (Ni-Cr)
D	heater



(1:1)



(sample plate not incl.)

Material:	nominal <30mm dimensions >30mm	DIN ISO 2768-f-H DIN ISO 2768-m-K excluding Sym./Runout	
DC Heating Station for Flag Style Plates	Sym./Runout >30mm	DIN ISO 2768-H	
	formed part dimensions	DIN ISO 2768-f-H	
Ferrovac CH-8050 Zurich	Scale	Drawn J. Buechi	
	1:2 (1:1)	Date	16.06.2021
		Changed	24.11.25 GS
Rev. C	HSASOM40 (DC)		
THE INFORMATION CONTAINED IN THIS DRAWING IS THE SOLE PROPERTY OF FERROVAC. ANY REPRODUCTION IN PART OR AS WHOLE WITHOUT OUR PERMISSION IS PROHIBITED.		A3 sheet 1/1	