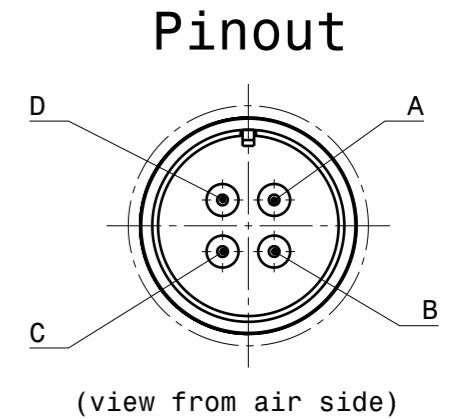
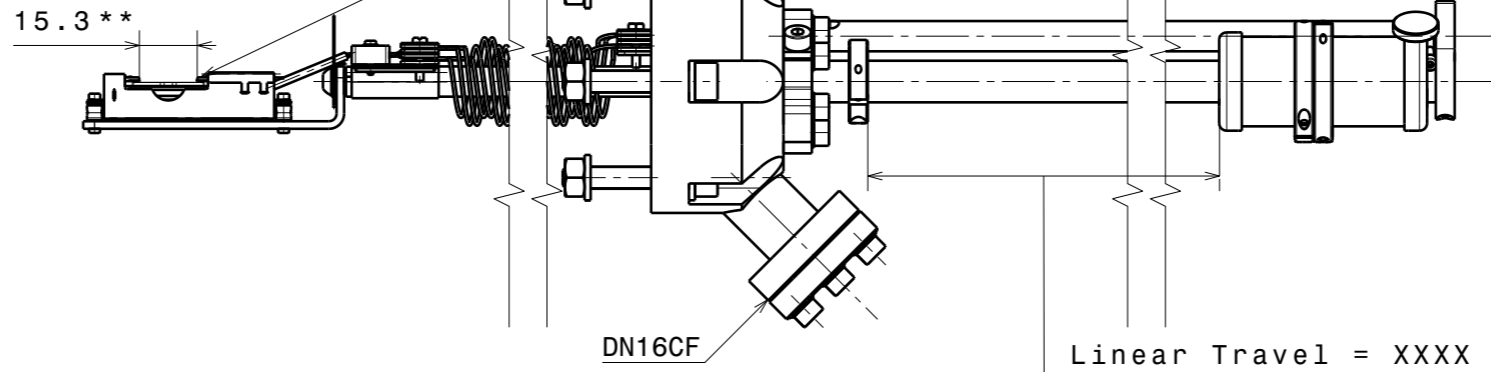
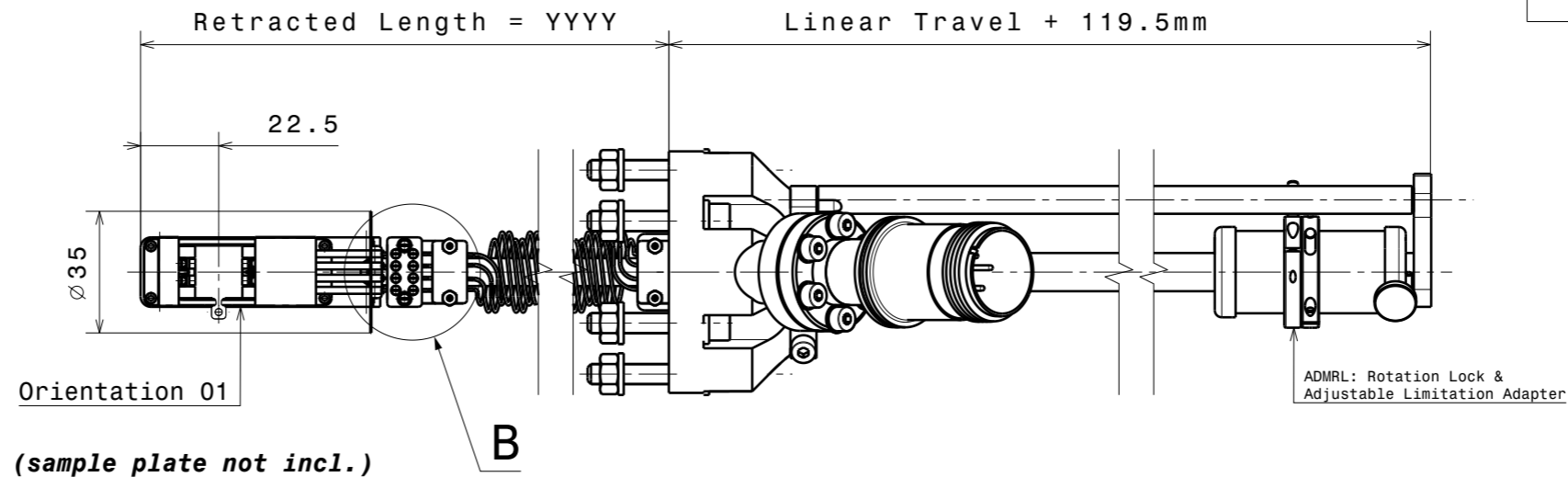
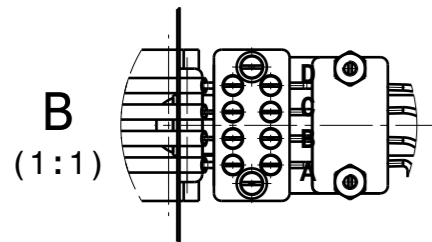


Option for sample receiver:
 1. electrically insulated (default)
 2. grounded to body



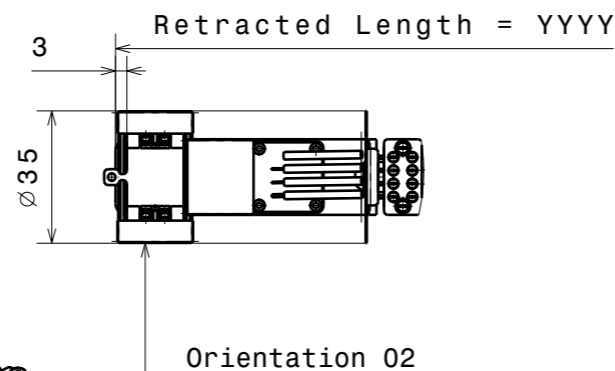
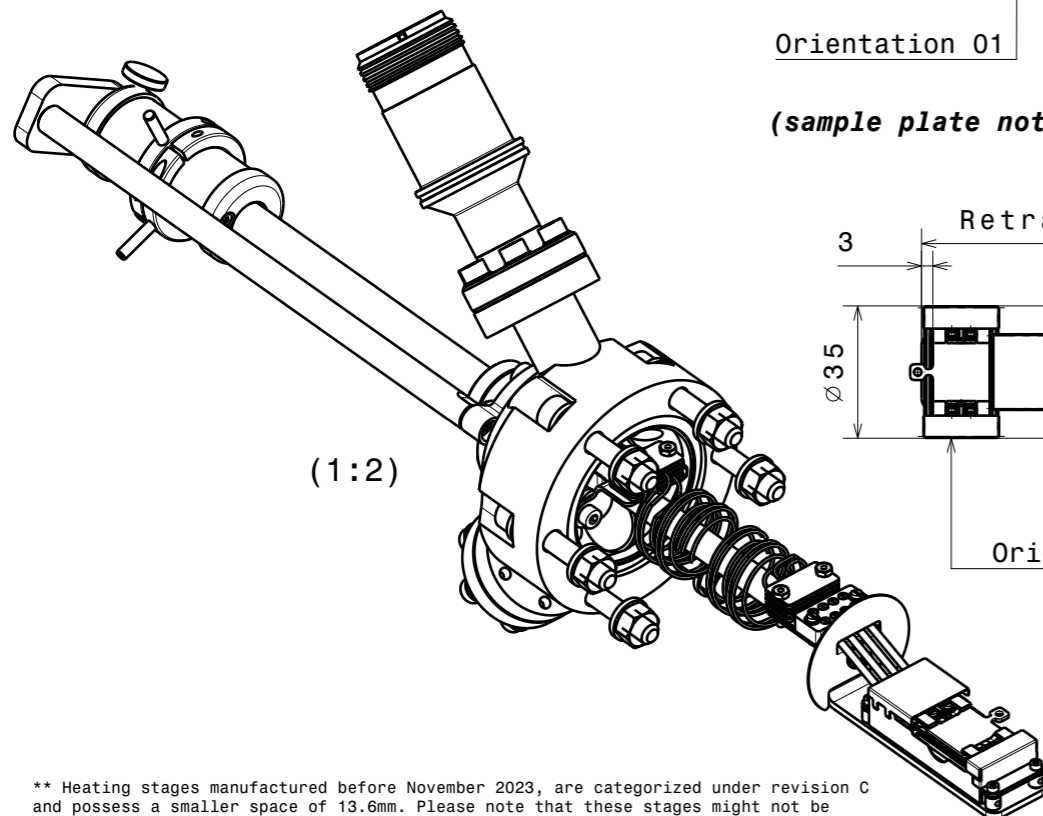
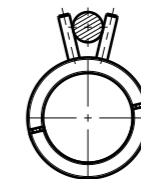
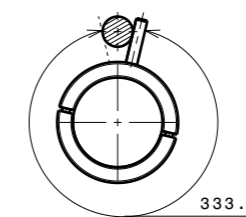
Terminal	Function
A	heater -
B	TC - (Ni-Al)
C	TC + (Ni-Cr)
D	heater +

in vacuum luster terminal



max possible rotation:

locked rotation:



** Heating stages manufactured before November 2023, are categorized under revision C and possess a smaller space of 13.6mm. Please note that these stages might not be compatible with certain standard Ferrovac SHOM models (e.g., SHOM3T).

Material:	nominal <30mm	DIN ISO 2768-f-H	
	dimensions >30mm	DIN ISO 2768-m-K excluding Sym./Runout	
	Sym./Runout >30mm	DIN ISO 2768-H	
	formed part dimensions	DIN ISO 2768-f-H	
PBN Heating Station for Flag Style Plates with Linear Travel	Scale	Drawn J. Buechi	
	1:2 (1:1)	Date	19.11.2020
		Changed	24.11.2025 GS
		HSASOM40 (PBNMD)	
Ferrovac CH-8050 Zurich	THE INFORMATION CONTAINED IN THIS DRAWING IS THE SOLE PROPERTY OF FERROVAC. ANY REPRODUCTION IN PART OR AS WHOLE WITHOUT OUR PERMISSION IS PROHIBITED.	Rev. F	A3 sheet 1/1