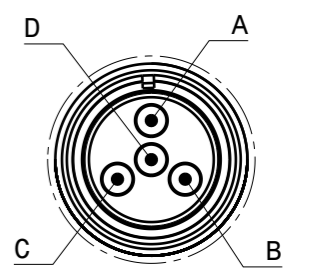
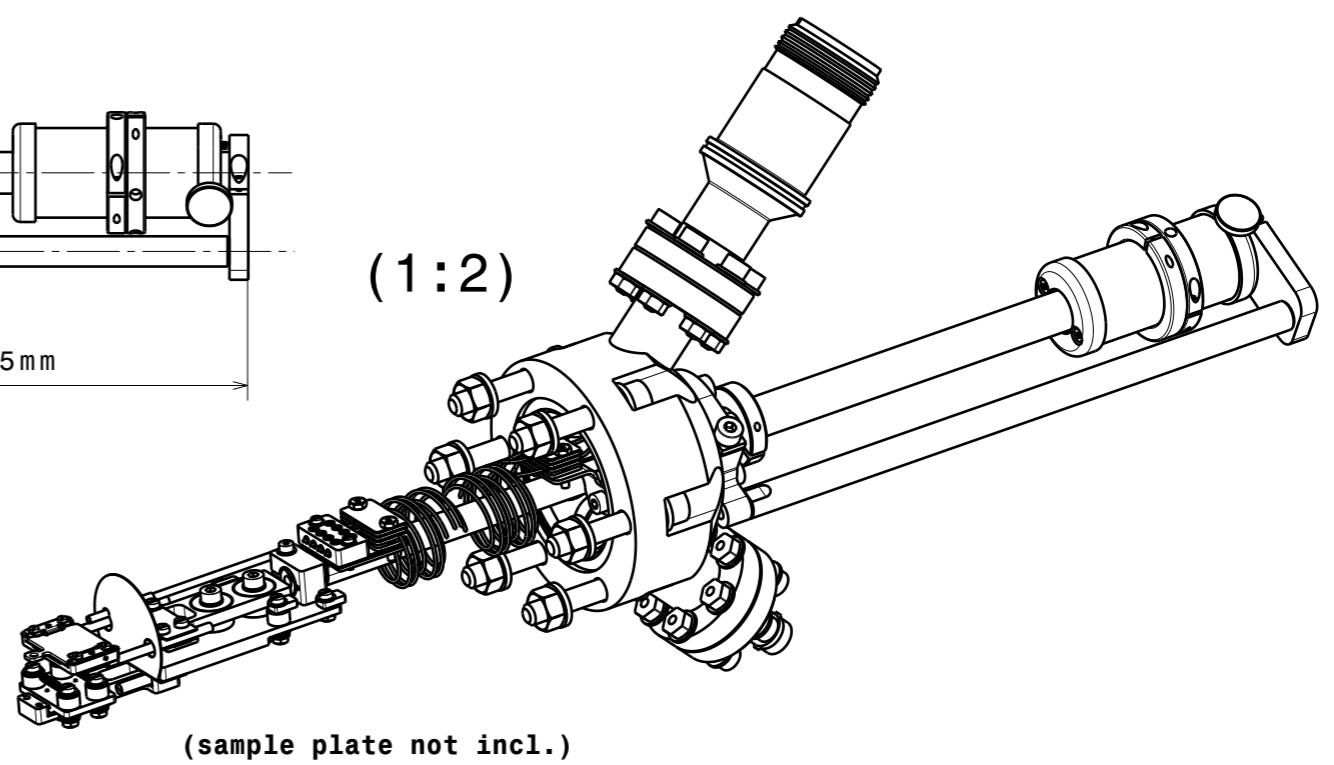
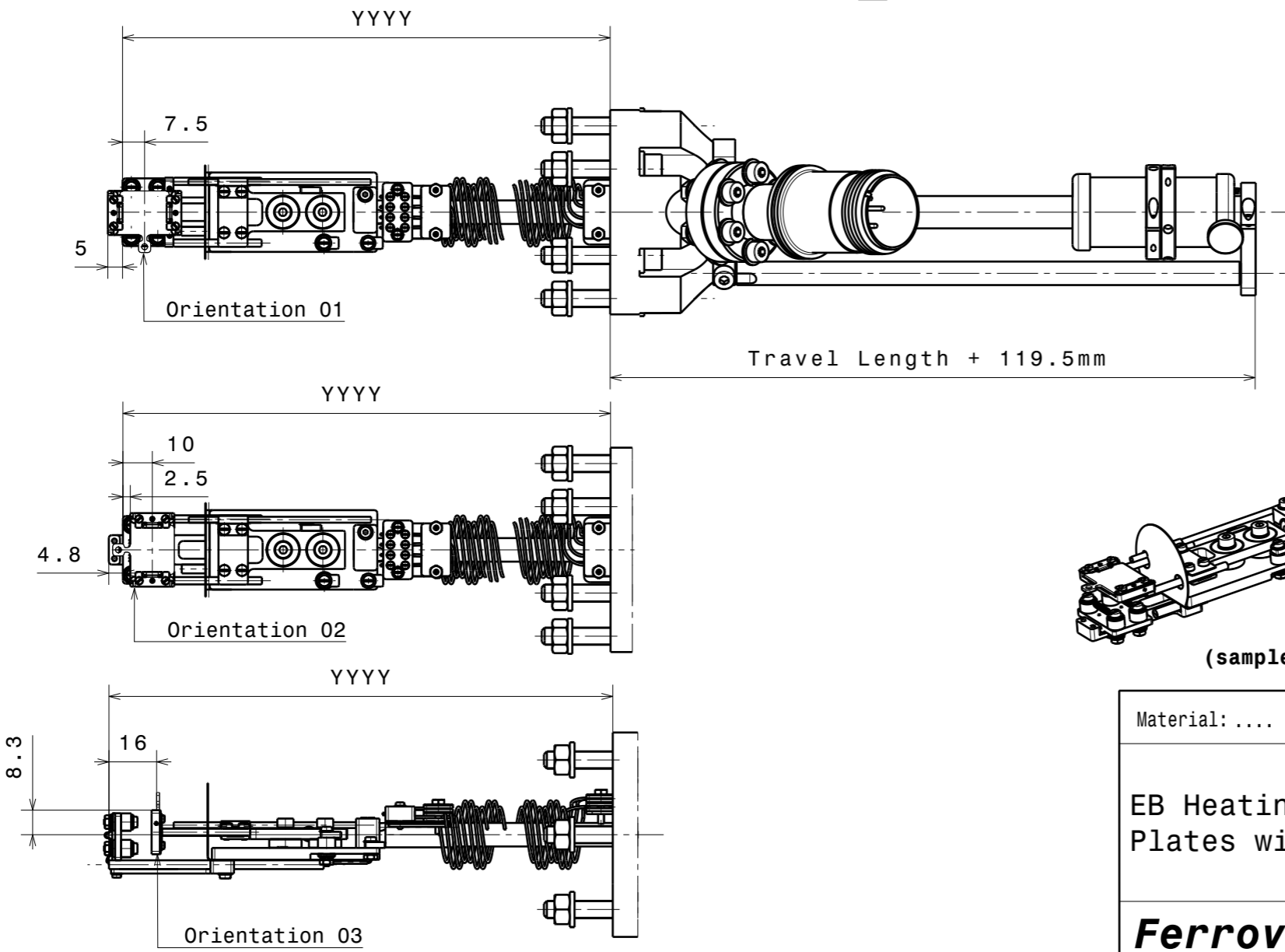


**Pinout A**



Terminal	Function
A	heater - (GND)
B	if incl.: TC - (Ni-Al)
C	if incl.: TC + (Ni-Cr)
D	heater +



Material: ....		nominal <30mm	DIN ISO 2768-f-H
		dimensions >30mm	DIN ISO 2768-m-K excluding Sym./Runout
		Sym./Runout >30mm	DIN ISO 2768-H
		formed part dimensions	DIN ISO 2768-f-H
Scale	Drawn	J.Buechi	
1:2	Date	05.05.2021	
	Changed	24.11.2025 GS	
Rev.	F	HSASOM40 (EBMD)	
A3 sheet 1/1			

**EB Heating Station for Flag Style Plates with Linear Travel**

**Ferrovac**  
CH-8050 Zurich

THE INFORMATION CONTAINED IN THIS DRAWING IS THE SOLE PROPERTY OF FERROVAC. ANY REPRODUCTION IN PART OR AS WHOLE WITHOUT OUR PERMISSION IS PROHIBITED.