

SENSI WASHPLANE



OMVIVO^o

SENSI WASHPLANE

Elegant and understated, the Sensi Washplane® by Omvivo offers a minimalist solution for modern bathrooms. Its clean lines and slim profile create a floating effect, ideal for both residential and commercial spaces seeking a refined aesthetic.

Available Sizes

- 800mm Single
- 1200mm Single
- 1600mm Double
- 2100mm Double
- 2250mm Triple

Assembly

Washplane® assembly includes:

- Washplane® Top Stainless steel cantilever brackets Zinc plated steel mounting frame Stainless steel tray Stainless steel removable drainer Stainless steel fascia
- Location saddles

Finishes:



White

Cleaning Solid surface

Clean with a mild detergent and a soft cloth. For more stubborn marks a very mild abrasive cleaner can be used with a soft cloth over the entire surface in wide circular motions. Finish by cleaning off detergents with a soft wet cloth and towel dry.

Additional information and recommended fittings

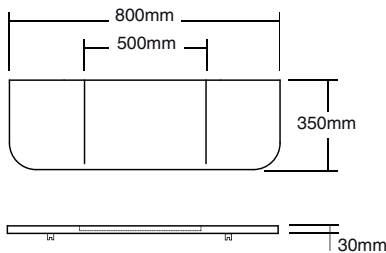
Use a 200 mm wall outlet for all Washplanes with the exception of the 800 single Washplane® which requires a 150 mm wall outlet.

Select an outlet that uses 5-7 litres per minute with the water falling at a 90 degree angle directly onto the Washplane®. The Omvivo wall outlets are ideal to use with a Washplane®. A cavity wall is needed to house the hardware and plumbing.

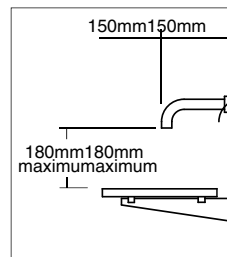
Important

This is not an installation guide. Please contact OMVIVO for technical details. Product specifications are subject to alteration without notice.

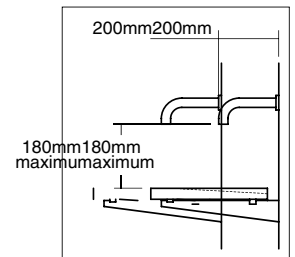
Sensi 800 Single:



Faucet Details:

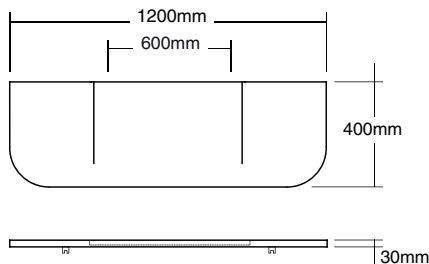


Suitable for Sensi 800



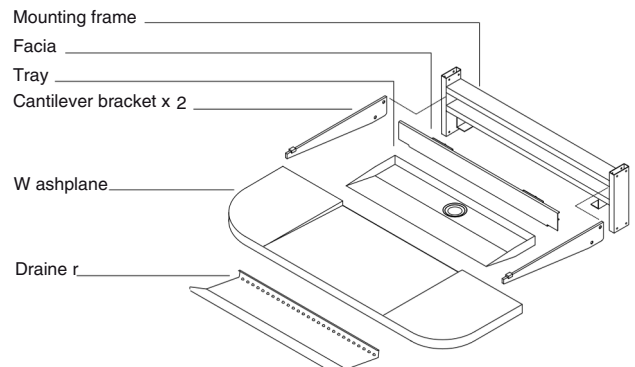
Suitable for Sensi 1200/1600/2100/2250

Sensi 1200 Single:



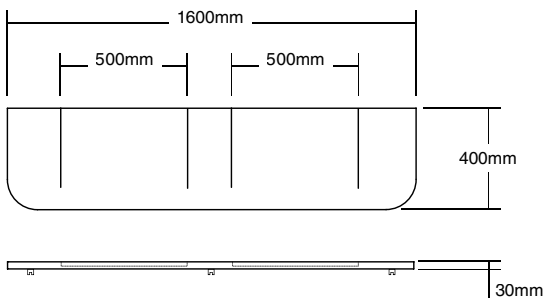
Components:

Sensi Single

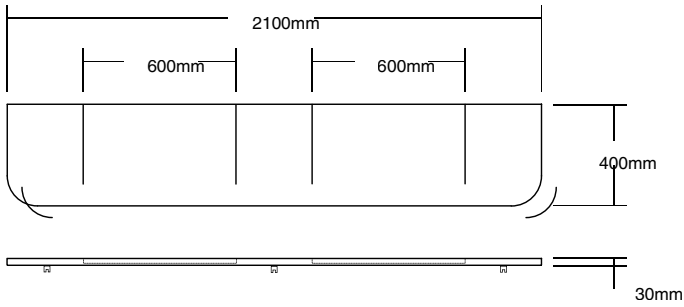


Dimensions are shown in millimetres. Due to the handcrafted nature of Omvivo products measurements are subject to a +/- 5mm manufacturing tolerance.

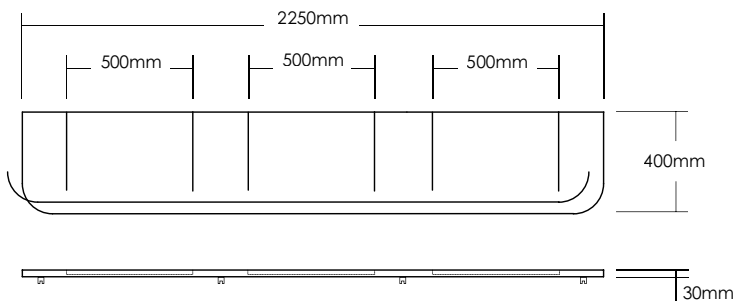
Sensi 1600 Double:



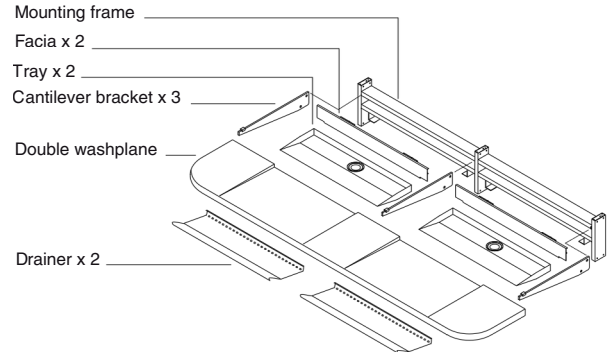
Sensi 2100 Double:



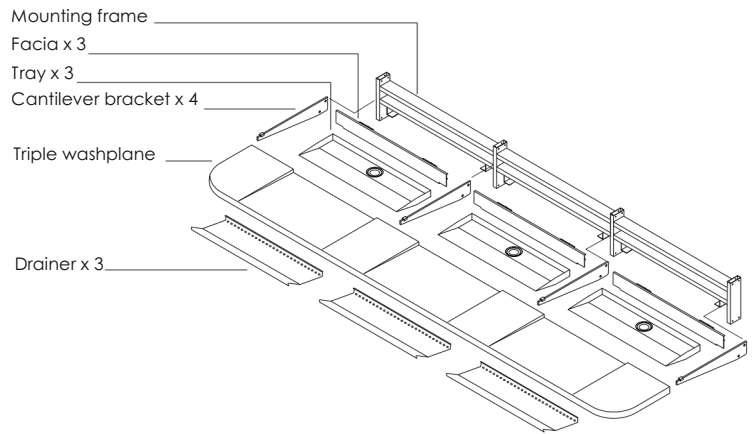
Sensi 2250 Triple:



Sensi Double



Sensi Triple



Dimensions are shown in millimetres. Due to the handcrafted nature of Omvivo products measurements are subject to a +/- 5mm manufacturing tolerance.