

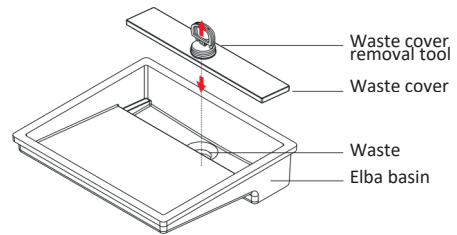
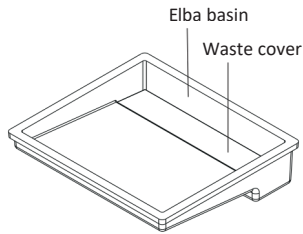
ELBA BASINS



OMVIVO^o

ELBA BASIN

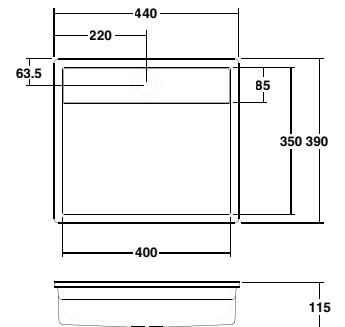
Characterised by a sophisticated **freeflow** design, the Elba undermount basin features a striking rectangular form with a gently angled internal slope. This architectural piece is crafted from premium matte white Omvivo Solid Surface, offering a seamless and durable finish. Complete with a matching solid surface coverplate that cleverly conceals the waste, Elba provides a clean, contemporary aesthetic for any high-end bathroom project.



ELBA 400



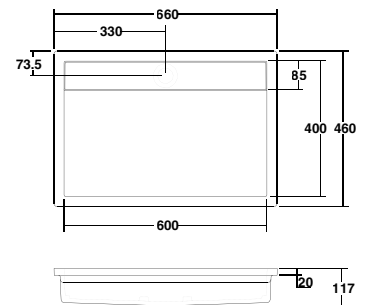
Overflow: No
 Tap Holes: 0
 Waste Size: 32mm
 Waste Supplied: No
 Weight: Basin: 6.0kg
 Cover plate: 0.7kg



ELBA 600



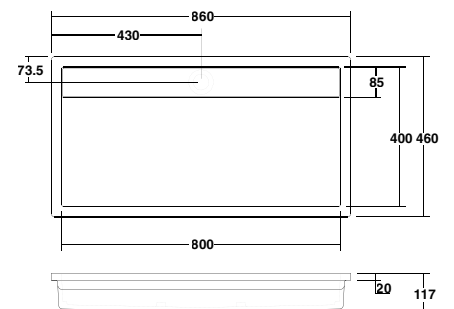
Overflow: No
 Tap Holes: 0
 Waste Size: 32mm
 Waste Supplied: No
 Weight: Basin: 10kg
 Cover plate: 1kg



ELBA 800



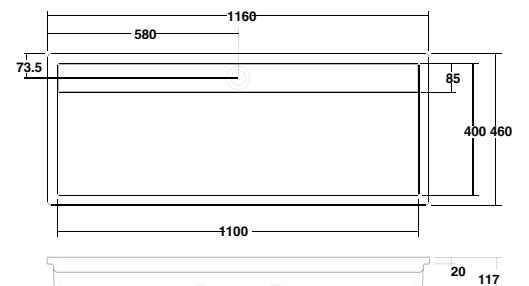
Overflow: No
 Tap Holes: 0
 Waste Size: 32mm
 Waste Supplied: No
 Weight: Basin: 12.9kg
 Cover plate: 1.4kg



ELBA 1100



Overflow: No
 Tap Holes: 0
 Waste Size: 32mm
 Waste Supplied: No
 Weight: Basin: 17kg
 Cover plate: 1.9kg



Dimensions are shown in millimetres. Due to the handcrafted nature of Omvivo products measurements are subject to a +/- 5mm manufacturing tolerance.