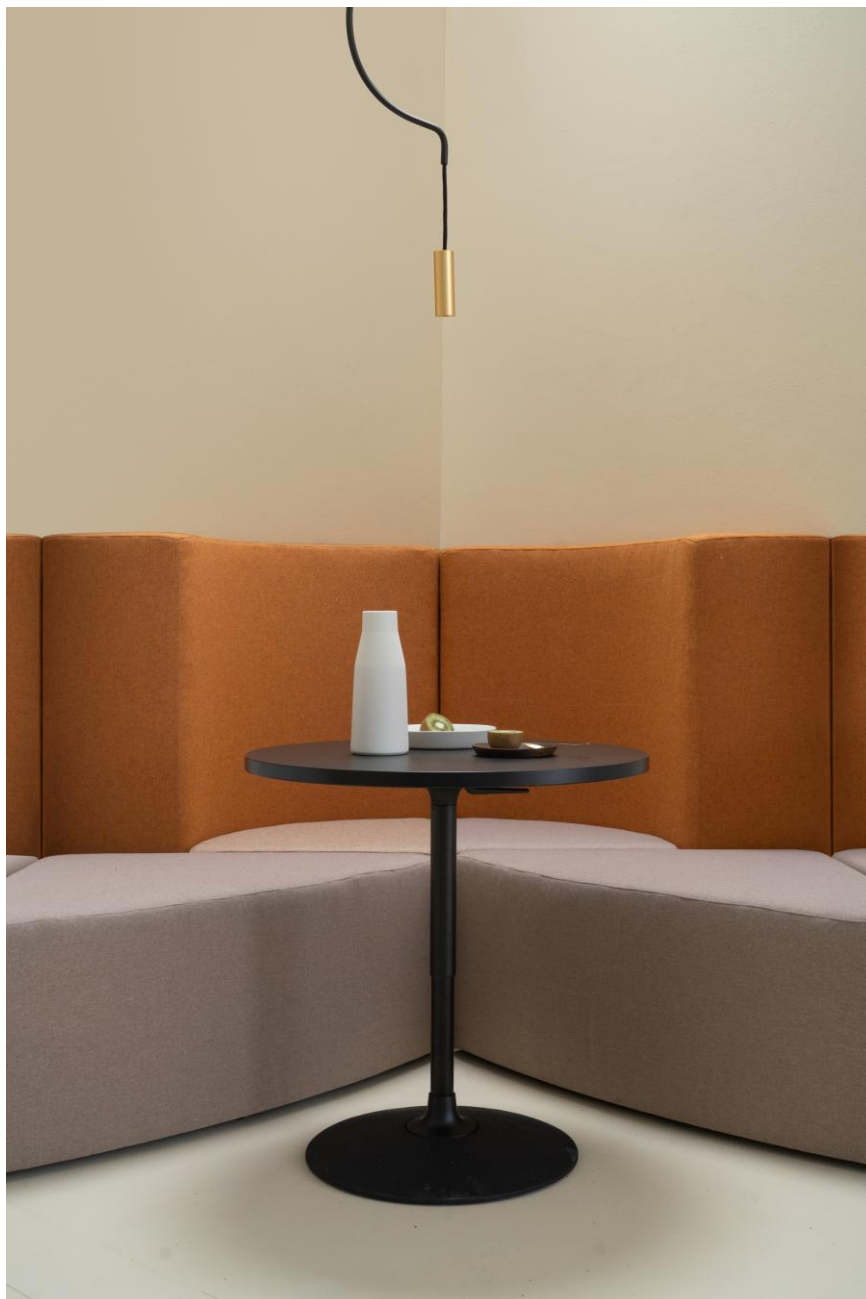


HEAD

Quinti®

UP & DOWN TABLE. HEAD model is a concentration of style, essentiality and versatility. The discreetly designed structures, the refined floors and the originality of the finishes make these tables ideal for both the home and the Contract.



HEAD

Table made of metal with plastic components. The structure is composed of 3 elements, from bottom to top:

- 1) The base is a 10 mm thick sheet metal with a rounded upper part and a diameter of 47 cm. The base is equipped with no. 4 height-adjustable feet.
- 2) The telescopic metal tubular stem houses the gas piston, which has a diameter of 4 and 4.5 cm and a height varying from 56 cm to 82 cm.
- 3) The upper mechanism (plate) has an integrated lever for gas lift of the piston and is complete with holes for fixing the plate with screws.



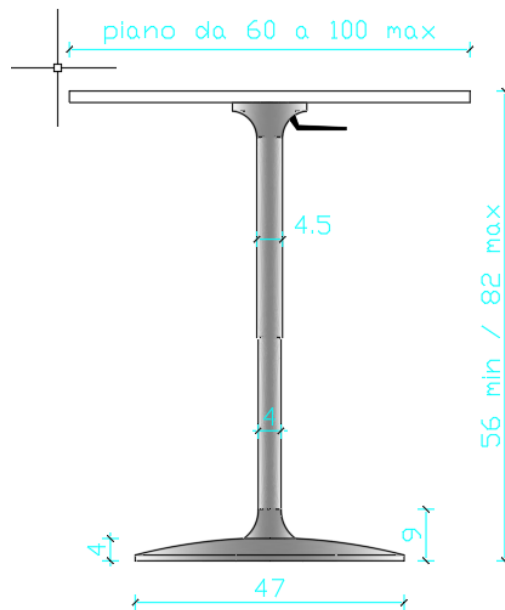
The base and stem elements are fixed using screws, while the telescopic stem is pre-assembled and integral with the gas lift mechanism.

The structure allows you to accommodate floors of various sizes from a minimum of 60 cm to a maximum of 100 cm.

The table weighs approximately 15 kg, considering a top made of ennobled melamine wood.

HEAD

DIMENSIONS



VERSION

The table frame is painted with epoxy powders in black

HEAD

USE & MAINTENANCE

For optimal product maintenance and to maintain the characteristics of the materials from which they are made unchanged, some simple care is necessary.

THE METALS

Cleaning: Both steel or aluminum metal surfaces, as well as painted surfaces, should be cleaned with a damp, soft cloth soaked in hot water. For more stubborn stains, you can dilute liquid neutral soap in water in moderation. Always dry after cleaning with a soft cloth or chamois leather. Do not use creams and pastes to clean steel, do not use chlorine, do not use bleach and other harsh detergents. It is not recommended to use abrasive pastes, scouring pads, and abrasive sponges that can scratch metal surfaces.

Use: Watch out for stains on foods such as coffee, cola, fruit juices that can leave permanent stains on surfaces

WARRANTY

Quinti guarantees that the products will maintain their characteristics for 6 years from delivery, without prejudice to normal wear and tear and provided that they are used according to the instructions provided. Quinti will replace any product found to be non-compliant with said warranty without incurring any other liability whatsoever. The application of the warranty on external components, accessories or materials supplied by the buyer and applied to the products for the purpose of personalizing them is excluded.