



Dimension and Specification Handbook



Important Safety Instructions-All Models



© 2020 Jacuzzi Hot Tubs. Jacuzzi may make product modifications and enhancements. Therefore, specifications may change without notice. Dimensions are approximate and for reference only.



CAUTION: ALWAYS MEASURE EACH SPA FOR EXACT DIMENSIONS BEFORE DESIGNING ITS FOUNDATIONAL SUPPORT AND/OR DECKING.



When designing a foundational support, always account for the following load factors:

1. Filled spa weight, plus (+)
2. Combined occupant weight at the maximum seating capacity, plus (+)
3. Weight of the support decking, when applicable.



The technical data given in this publication is for reference only. It implies no warranty of kind.



Dimensions/Specifications subject to change without notice. Spa operation subject to change without notice.

Table of Contents

Jacuzzi J-500™ Collection Hot Tubs	7
J-585™ Specifications	7
J-585 Operations	8
J-585 Dimensions.....	9
J-575™ Specifications	10
J-575 Operations	11
J-575 Dimensions.....	12
Jacuzzi J-400™ Collection Hot Tubs	13
J-495™ Specifications	13
J-495 Operations	14
J-495 Dimensions.....	15
J-485™ Specifications	16
J-485 Operations	17
J-485 dimensions	18
J-475™ Specifications	19
J-475 Operations	20
J-475 Dimensions.....	21
J-445™ Specifications	22
J-445 Operations	23
J-445 Dimensions.....	24
J-435™ Specifications	25
J-435 Operations	26
J-435 Dimensions.....	27
J-425™ Specifications	28
J-425 Operations	29
J-425 Dimensions.....	30
Jacuzzi J-LX® Collection Hot Tubs	31
J-LXL® Specifications	31
J-LXL Operations	32
J-LXL Dimensions.....	33

Table of Contents

J-LX® Specifications	34
J-LX Operations	35
J-LX Dimensions	36
Jacuzzi J-300™ Collection Hot Tubs	37
J-385™ Specifications	37
J-385 Operations	38
J-385 Dimensions	39
J-375™ Specifications	40
J-375 Operations	41
J-375 Dimensions	42
J-365™ Specifications	43
J-365 Operations	44
J-365 Dimensions	45
J-355™ Specifications	46
J-355 Operations	47
J-355 Dimensions	48
J-345™ Specifications	49
J-345 Operations	50
J-345 Dimensions	51
J-335™ Specifications	52
J-335 Operations	53
J-335 Dimensions	54
J-325™ Specifications	55
J-325 Operations	56
J-325 Dimensions	57
J-315™ Specifications	58
J-315 Operations	59
J-315 Dimensions	60

Table of Contents

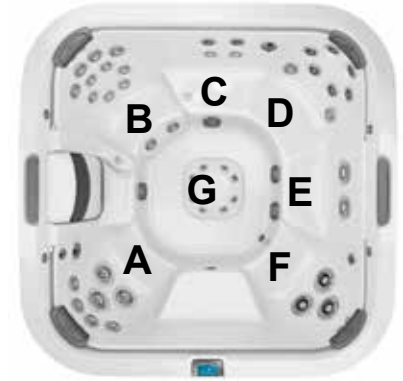
Jacuzzi J-200™ Collection Hot Tubs	61
J-280™ Specifications	61
J-280 Operations	62
J-280 Dimensions.....	63
J-275™ Specifications	64
J-275 Operations	65
J-275 Dimensions.....	66
J-245™ Specifications	67
J-245 Operations	68
J-245 Dimensions.....	69
J-235™ Specifications	70
J-235 Operations	71
J-235 Dimensions.....	72
J-225™ Specifications	73
J-225 Operations	74
J-225 Dimensions.....	75
J-215™ Specifications	76
J-215 Operations	77
J-215 Dimensions.....	78
J-210™ Specifications	79
J-210 Operations	80
J-210 Dimensions.....	81
Jacuzzi J-100™ Collection Hot Tubs	82
J-145™ Specifications	82
J-145 Operations	83
J-145 Dimensions.....	84
J-135™ Specifications	85
J-135 Operations	86
J-135 Dimensions.....	87

<i>J-125™ Specifications</i>	<i>88</i>
<i>J-125 Operations</i>	<i>89</i>
<i>J-125 Dimensions.....</i>	<i>90</i>
<i>J-115™ Specifications.....</i>	<i>91</i>
<i>J-115 Operations</i>	<i>92</i>
<i>J-115 Dimensions.....</i>	<i>93</i>
<i>Complete Dimensions-All J500™ Collection Models.....</i>	<i>94</i>
<i>Complete Dimensions-J400™ Collection Models</i>	<i>95</i>
<i>Complete Dimensions-All J-LX® Collection Models.....</i>	<i>96</i>
<i>Complete Dimensions-All J300™ Collection Models.....</i>	<i>97</i>
<i>Complete Dimensions-All J200™ Collection Models.....</i>	<i>98</i>
<i>Complete Dimensions-All J100™ Collection Models.....</i>	<i>99</i>

Jacuzzi J-585

Specifications

Seating Capacity	6-7 Adults
Dimensions	91" x 91" x 37.5" Front/42" Side, (231.0 cm x 231.0 cm x 95.25 cm Front/107.0 cm Side); For complete dimensions, See page 94
Dry Weight	897 lbs (407 kg)
Filled Weight (Spa Volume)	5,403 lbs (2,451 kg)
Filled Weight (Average Fill)	4,569 lbs (2,072 kg)
Water Capacity (Spa Volume)	540 US gallons (2,044 Liters)
Water Capacity (Average Fill)	440 US gallons (1,666 Liters)
Electronic Controls	ProTouch™ Glass user interface. Touch-screen LCD displays temperature, time, cycles and jet control. Offers customizing of filtration cycles, CLEARRAY on demand, cleaning cycles and water temperature setting.
Pump 1	North America (60 Hz): 1-Speed, 5.1 HP break, 2.5 HP continuous, 56 Frame Export (50 Hz):1-Speed, 2.0 HP continuous
Pump 2	North America (60 Hz): 1-Speed, 5.1 HP break, 2.5 HP continuous, 56 Frame Export (50 Hz):1-Speed, 2.0 HP continuous
Circulation Pump	Yes, 8-Hour
Total PowerPro® Jets	46
Seat A Jets	4 PowerPro® FX Rotational, 3 PowerPro® FX Large Rotational
Seat B Jets	6 PowerPro® FX Rotational, 6 PowerPro® FX, 2 PowerPro® PX
Seat C Jets	2 PowerPro® RX, 2 PowerPro® FX
Seat D Jets	6 PowerPro® RX, 2 PowerPro® FX Directional
Seat E Jets	2 PowerPro® FX Large Rotational
Seat F Jets	3 PowerPro® MX
Footwell (G)	8 PowerPro® FX Small
Massage Selectors	2
Air Controls	4
Water Management System	One ProClarity® 40 ft ² filter cartridge and 1 ProClarity® depth load filter on 8-hour circulation pump; one ProCatch® bag with ProClear® 60 ft ² filter; Floating Weir; Factory installed CLEARRAY® Water Purification System Export (50 Hz):Factory installed CLEARRAY® Water Purification System
LED Lighting	Exterior corner lights, ProEdge™ interior lighting, two waterfall lights, one footwell light
Synthetic Cabinet Colors	Silverwood, Roasted Chestnut
Acrylic Colors	Platinum, Silver Pearl (Gypsum), Desert Sand, Monaco, Opal, Midnight, Sahara, Sandstone, Porcelain
Headrests	4
Waterfalls	Two with independent flow rate (on or off) adjustment; powered by 8-hour circulation pump
Electrical Requirements:	North America (60 Hz): 240 VAC@40A, 50A, or 60A Export (50 Hz): 230-240 VAC@2x16A or suitably rated circuit breaker to comply with local electrical codes. Certain countries may require dual power inputs; two GFCI RCD breakers are required for this configuration.
Warranty*	North America (60 Hz): 10 Years Shell, 7 Years Shell Surface, 5 Years Plumbing Component Leaks, 5 Years Equipment and Controls, 5 Years Cabinet, 2 Years Jets, 2 Years Lights, 1 Year Stereo; Export (50 Hz): 10 Years Shell, 7 Years Shell Surface, 5 Years Plumbing Component Leaks, 5 Years Equipment and Controls, 5 Years Cabinet, 2 Years Jets, 2 Years Lights, 2 Years Stereo
Special Features	Factory installed SmartTub™ Module
Audio System (Optional)	BLUEWAVE® Wireless Spa Stereo System with Aux 3.5 mm jack port and Bluetooth capability; 4 single driver speakers and a powered subwoofer



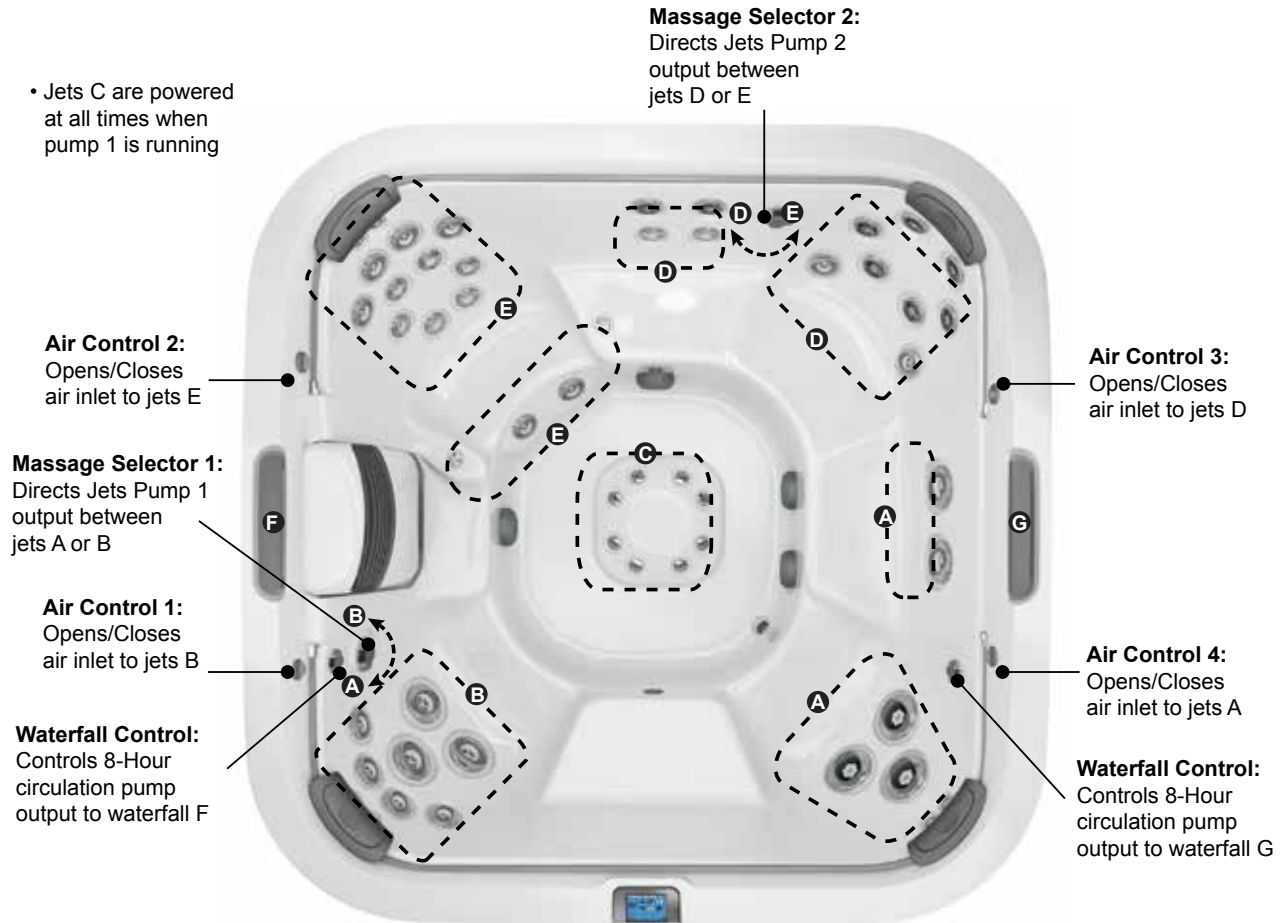
*(See Warranty Document for Specific Details)

Dimensions/Specifications are Subject to Change Without Notice

Jacuzzi J-585

Massage Selector/Air Control Diagram

• Jets C are powered at all times when pump 1 is running



46 Total Jets



Spa Operation Subject to Change without Notice

Seat Depths

A = 26.63" (67.64 cm)
B = 21.00" (53.34 cm)
C = 27.00" (68.58 cm)
D = 20.00" (50.80 cm)
E = 23.00" (58.42 cm)
F = 21.38" (54.31 cm)

G = 24.50" (62.23 cm)
H = 20.13" (51.13 cm)
I = 33.00" (83.82 cm)

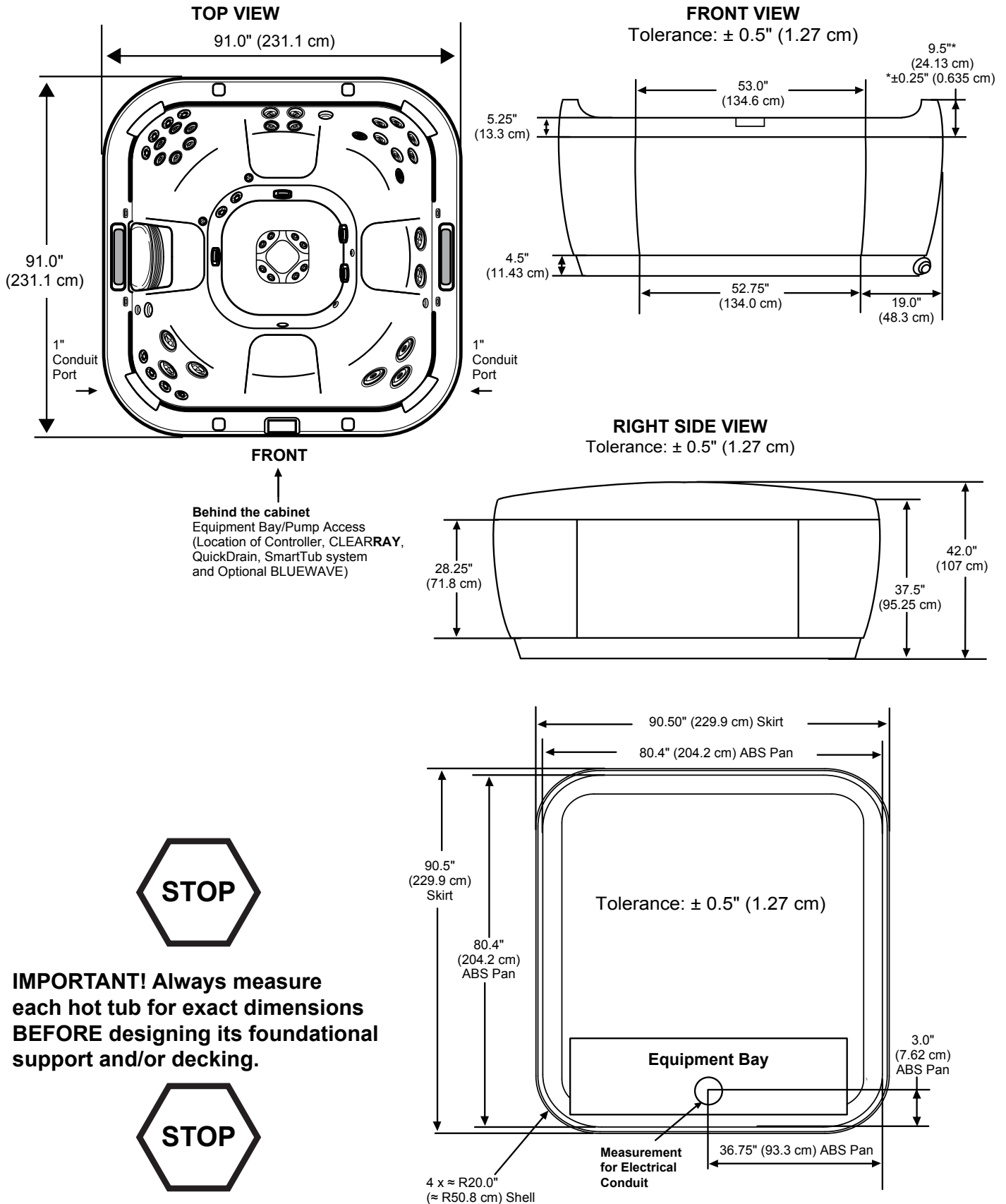
Listed dimensions represent distance from top of acrylic to lowest point in seat. **Tolerance ± 0.5" (1.27 cm).**



Dimensions/Specifications are Subject to Change Without Notice

Jacuzzi J-585

Dimensions



STOP

IMPORTANT! Always measure each hot tub for exact dimensions BEFORE designing its foundational support and/or decking.

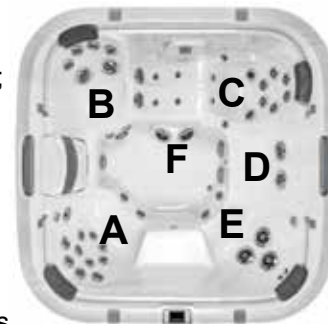


Dimensions/specifications subject to change without notice. Tolerance $\pm 0.5"$ (1.27 cm)

Jacuzzi J-575

Specifications

Seating Capacity	5-6 Adults
Dimensions	91" x 91" x 37.5" Front/42" Side, (231.0 cm x 231.0 cm x 95.25 cm Front/107.0 cm Side); For complete dimensions, See page 94
Dry Weight	898 lbs (407 kg)
Filled Weight (Spa Volume)	5,446 lbs (2,470 kg)
Filled Weight (Average Fill)	4,612 lbs (2,092 kg)
Water Capacity (Spa Volume)	545 US gallons (2,063 Liters)
Water Capacity (Average Fill)	445 US gallons (1,685 Liters)
Electronic Controls	ProTouch™ Glass user interface. Touch-screen LCD displays temperature, time, cycles and jet control. Offers customizing of filtration cycles, CLEARRAY® on demand, cleaning cycles and water temperature setting.
Pump 1	North America (60 Hz): 1-Speed, 5.1 HP break, 2.5 HP continuous, 56 Frame
Export (50 Hz):	1-Speed, 2.0 HP continuous
Pump 2	North America (60 Hz): 1-Speed, 5.1 HP break, 2.5 HP continuous, 56 Frame
Export (50 Hz):	1-Speed, 2.0 HP continuous
Circulation Pump	Yes, 8-Hour
Total PowerPro® Jets	49
Seat A Jets	6 PowerPro® FX Rotational, 6 PowerPro® FX
Seat B Jets	6 PowerPro® FX Rotational, 2 PowerPro® FX Large Rotational
Seat C Jets	6 PowerPro® RX, 2 PowerPro® FX directional, 8 PowerPro® PX, 2 PowerPro® FX Large Rotational
Seat D Jets	2 PowerPro® FX Large Rotational
Seat E Jets	3 PowerPro® MX, 2 PowerPro® NX2, 2 PowerPro® FX Rotational
Footwell (F)	2 PowerPro® MX
Massage Selectors	2
Air Controls	4
Water Management System	One ProClarity® 40 ft ² filter cartridge and 1 ProClarity® depth load filter on 8-hour circulation pump; one ProCatch® bag with ProClear® 60 ft ² filter; Floating Weir; Factory installed CLEARRAY® Water Purification System
Export (50 Hz):	Factory installed CLEARRAY® Water Purification System
LED Lighting	Exterior corners lights, ProEdge™ interior lighting, two waterfall lights, one footwell light
Synthetic Cabinet Colors	Silverwood, Roasted Chestnut
Acrylic Colors	Platinum, Silver Pearl (Gypsum), Desert Sand, Monaco, Opal, Midnight, Sahara, Sandstone, Porcelain
Headrests	4
Waterfalls	Two with independent flow rate (on or off) adjustment; powered by 8-hour circulation pump
Electrical Requirements:	North America (60 Hz): 240 VAC@40A, 50A, or 60A Export (50 Hz): 230-240 VAC@2x16A or suitably rated circuit breaker to comply with local electrical codes. Certain countries may require dual power inputs; two GFCI RCD breakers are required for this configuration.
Warranty*	North America (60 Hz): 10 Years Shell, 7 Years Shell Surface, 5 Years Plumbing Component Leaks, 5 Years Equipment and Controls, 5 Years Cabinet, 2 Years Jets, 2 Years Lights, 1 Year Stereo; Export (50 Hz): 10 Years Shell, 7 Years Shell Surface, 5 Years Plumbing Component Leaks, 5 Years Equipment and Controls, 5 Years Cabinet, 2 Years Jets, 2 Years Lights, 2 Years Stereo
Special Features	Factory installed SmartTub™ Module
Audio System (Optional)	BLUEWAVE® Wireless Spa Stereo System with Aux 3.5 mm jack port and Bluetooth capability; 4 single driver speakers and a powered subwoofer



*(See Warranty Document for Specific Details)

Dimensions/Specifications are Subject to Change Without Notice

Jacuzzi J-575

Massage Selector/Air Control Diagram

- Jets C are powered at all times when pump 1 is running

Massage Selector 2:
Directs Jets Pump 2 output between jets D or E

Air Control 2:
Opens/Closes air inlet to jets D

Air Control 3:
Opens/Closes air inlet to jets E

Massage Selector 1:
Directs Jets Pump 1 output between jets A or B

Air Control 1:
Opens/Closes air inlet to jets B

Air Control 4:
Opens/Closes air inlet to jets A and C

Waterfall Control:
Controls 8-Hour circulation pump output to waterfall F

Waterfall Control:
Controls 8-Hour circulation pump output to waterfall G



49 Total Jets



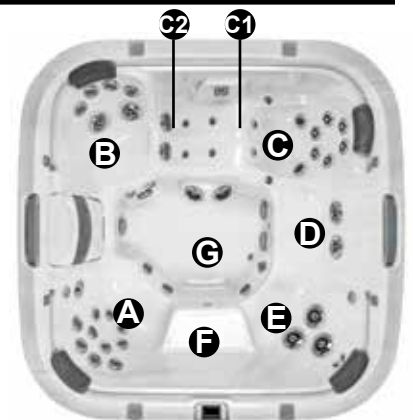
Spa Operation Subject to Change without Notice

Seat Depths

A = 27.50" (69.85 cm)
B = 23.50" (59.69 cm)
C = 27.00" (68.58 cm)
D = 21.50" (54.61 cm)
E = 24.75" (62.87 cm)
F = 18.25" (46.36 cm)

G = 33.25" (84.46 cm)
C1 = 17.75" (45.09 cm)
C2 = 24.75" (62.87 cm)

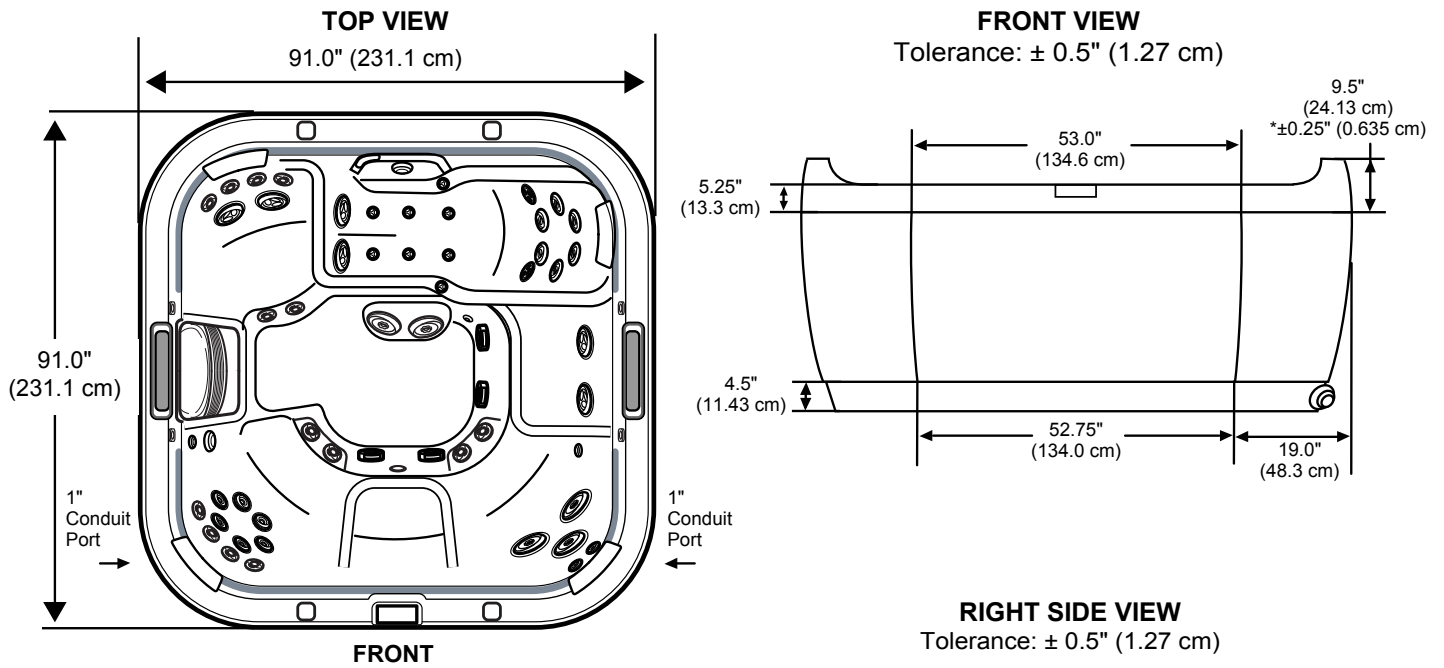
Listed dimensions represent distance from top of acrylic to lowest point in seat. **Tolerance ± 0.5" (1.27 cm).**



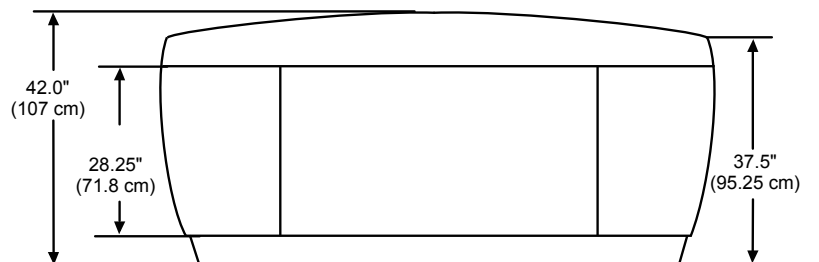
Dimensions/Specifications are Subject to Change Without Notice

Jacuzzi J-575

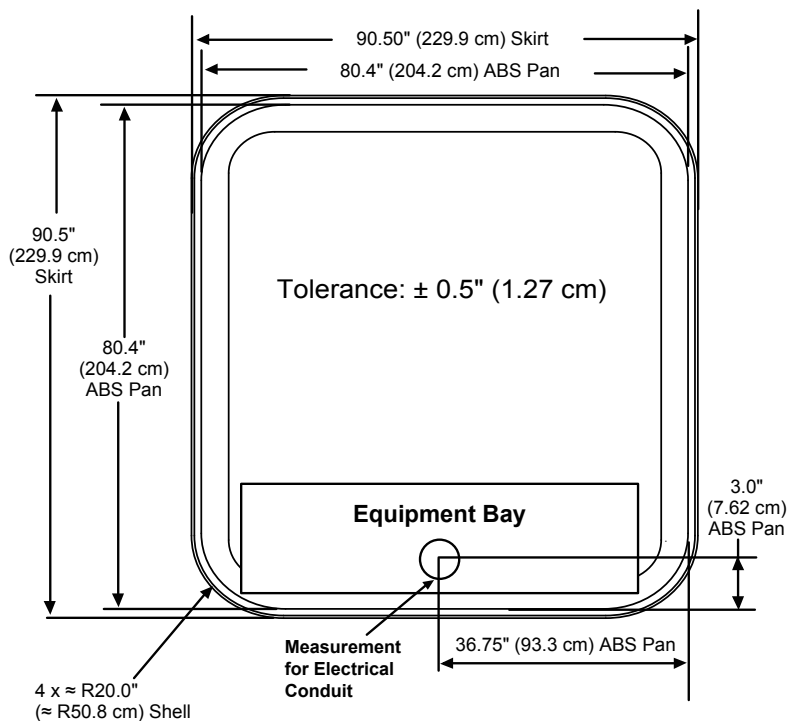
Dimensions



Behind the cabinet
Equipment Bay/Pump Access
(Location of Controller, CLEARRAY,
QuickDrain, SmartTub system and
Optional BLUEWAVE)



IMPORTANT! Always measure each hot tub for exact dimensions BEFORE designing its foundational support and/or decking.



Dimensions/specifications subject to change without notice. Tolerance $\pm 0.5"$ (1.27 cm)

Jacuzzi J-495

Specifications

Seating Capacity	8-9 Adults
Dimensions	91" x 110" x 37.5" Front/43.5" Back, (231.1 cm x 279.4 cm x 95.25 cm Front/110.5 cm Back); For complete dimensions, See page 95
Dry Weight	1,091 lbs (495 kg)
Filled Weight (Spa Volume)	6,679 lbs (3,030 kg)
Filled Weight (Average Fill)	5,261 lbs (2,386 kg)
Water Capacity (Spa Volume)	670 US gallons (2,536 Liters)
Water Capacity (Average Fill)	500 US gallons (1,893 Liters)
Electronic Controls	ProTouch™ 2 LCD control panel, user interface displays temperature, time, cycles and fingertip jet control. Offers customizing of pre-programmed filtration cycles, heating modes and water temperature setting.
Pump 1	North America (60 Hz): 1-Speed, 5.1 HP break, 2.5 HP continuous, 56 Frame Export (50 Hz):..... 1-Speed, 2.0 HP continuous
Pump 2	North America (60 Hz): 1-Speed, 5.1 HP break, 2.5 HP continuous, 56 Frame Export (50 Hz):..... 1-Speed, 2.0 HP continuous
Pump 3	North America (60 Hz): 1-Speed, 5.1 HP break, 2.5 HP continuous, 56 Frame Export (50 Hz):..... 1-Speed, 2.0 HP continuous
Circulation Pump	Yes, 8-Hour
Total PowerPro® Jets	71
Seat A Jets	2 PowerPro® NX2, 2 PowerPro® FX, 5 PowerPro® RX
Seat B Jets	1 PowerPro® FX Large Rotational
Seat C Jets	2 PowerPro® NX2, 6 PowerPro® RX, 2 PowerPro® FX Directional, 2 PowerPro® PX, 4 PowerPro® FX
Seat D Jets	2 PowerPro® FX Large Rotational
Seat E Jets	2 PowerPro® NX2, 4 PowerPro® FX Rotational, 6 PowerPro® FX, 2 PowerPro® PX, 2 PowerPro® FX Directional
Seat F Jets	4 PowerPro® FX, 4 PowerPro® RX
Seat G Jet	2 PowerPro® NX2, 3 PowerPro® MX
Footwell (H)	14 PowerPro® FX Small
Massage Selectors	2
Air Controls	5
Water Management System	One ProClarity® 40 ft ² filter cartridge and 1 ProClarity® depth load filter on 8-hour circulation pump; one ProCatch® bag with ProClear® 60 ft ² filter; Floating Weir; Factory installed CLEARARRAY® Water Purification System Export (50 Hz):..... Factory installed CLEARARRAY® Water Purification System
LED Lighting	Waterfall light, massage selectors, cupholders, underwater, indicator light, and OPTIONAL exterior lights
ProFinish™ Cabinet Colors	Modern Hardwood, Brushed Gray, and Smoked Ebony
Acrylic Colors	Platinum, Silver Pearl (Gypsum), Sahara, Desert Sand, Midnight, Monaco, Porcelain
Headrests	4
Waterfalls	Two with independent flow rate (on or off) adjustment; powered by 8-hour circulation pump
Electrical Requirements:	North America (60 Hz): 240 VAC@40A, 50A, or 60A Export (50 Hz): 230-240 VAC@ 1x32A, 1x40A, 1x32A/1x16A, 1x16A/1x16A/1x16A or suitably rated circuit breaker to comply with local electrical codes. Certain countries may require dual power inputs; two GFCI RCD breakers are required for this configuration.
Warranty*	North America (60 Hz): 10 Years Shell, 7 Years Shell Surface, 5 Years Plumbing Component Leaks, 5 Years Equipment and Controls, 5 Years Cabinet, 2 Years Jets, 2 Years Lights, 1 Year Stereo; Export (50 Hz): 10 Years Shell, 7 Years Shell Surface, 5 Years Plumbing Component Leaks, 5 Years Equipment and Controls, 5 Years Cabinet, 2 Years Jets, 2 Years Lights, 2 Years Stereo
Special Features (Optional)	SmartTub™ Module, Exterior lights
Audio System (Optional)	BLUEWAVE® Spa Stereo System with Bluetooth capability and Aux 3.5 mm headphone jack port; 4 premium speakers, a powered subwoofer

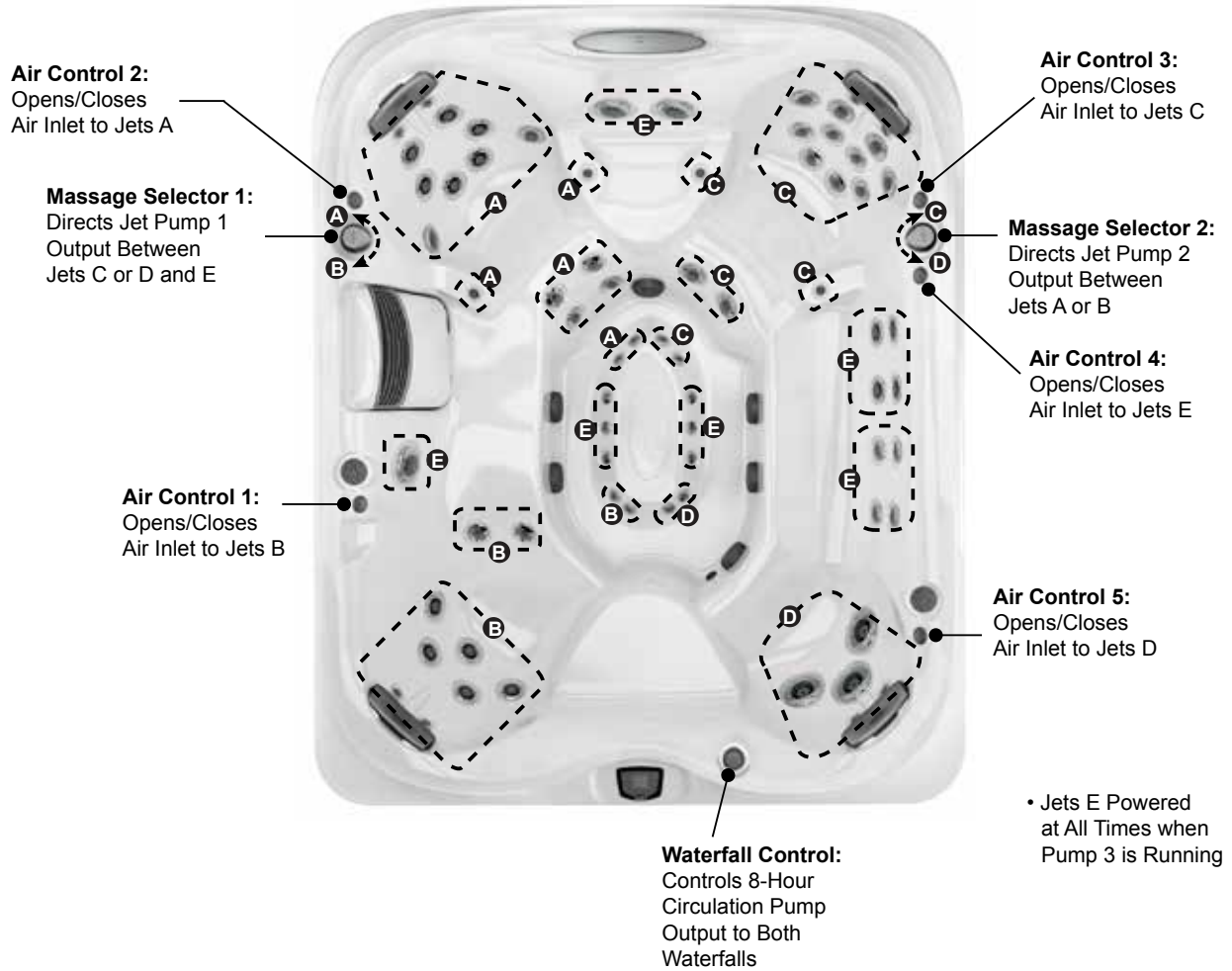


*(See Warranty Document for Specific Details)

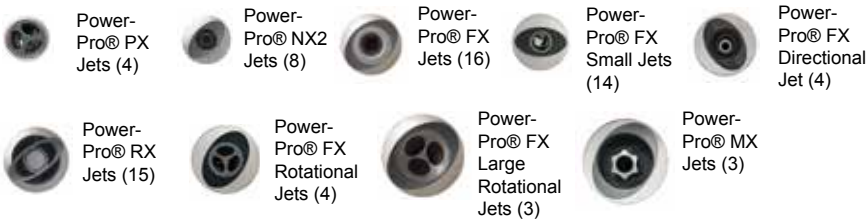
Dimensions/Specifications are Subject to Change Without Notice

Jacuzzi J-495

Massage Selector/Air Control Diagram



71 Total Jets



Spa Operation Subject to Change without Notice

Seat Depths

A = 27.75" (70.49 cm)
B = 18.75" (47.63 cm)
C = 29.00" (73.66 cm)
D = 19.00" (73.03 cm)
E = 27.00" (68.58 cm)
F = 23.00" (58.42 cm)

G = 25.50" (64.77 cm)
H = 17.75" (45.09 cm)
I = 30.75" (78.11 cm)
J = 33.00" (83.82 cm)

Listed dimensions represent distance from top of acrylic to lowest point in seat. **Tolerance ± 0.5" (1.27 cm).**



Front

Back

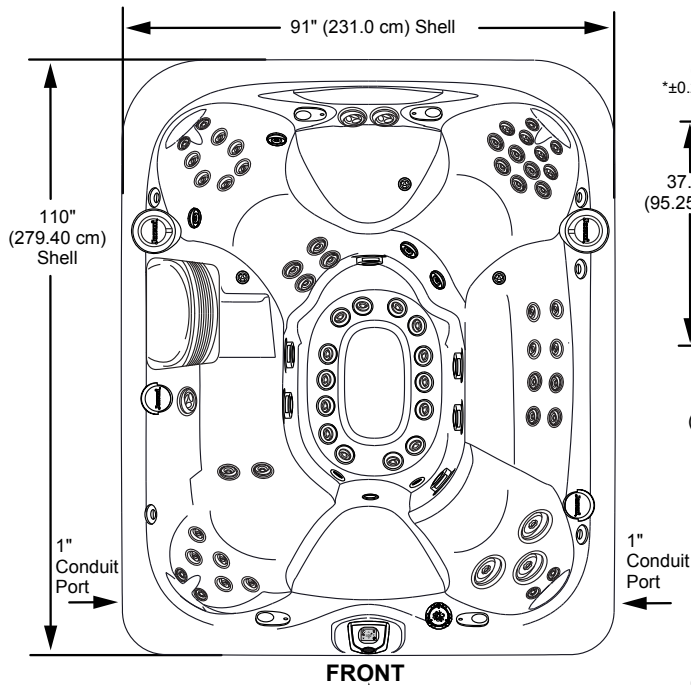


Dimensions/Specifications are Subject to Change Without Notice

Jacuzzi J-495

Dimensions

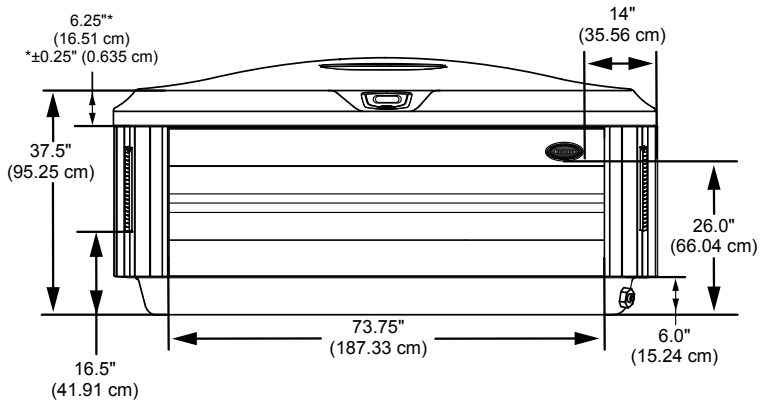
TOP VIEW



Equipment Bay/Pump Access
CLEARRAY, Optional BLUEWAVE®,
and Optional SmartTub System
located behind the cabinet

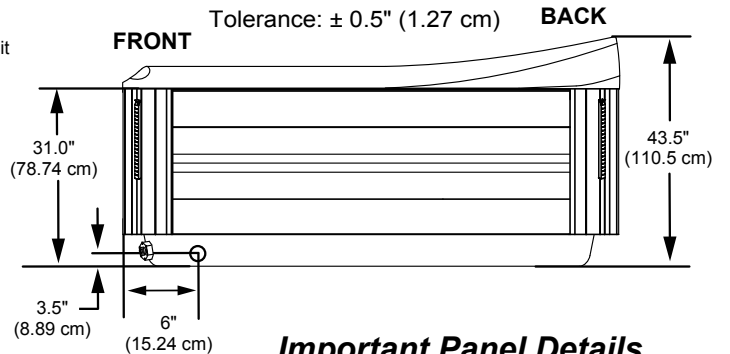
FRONT VIEW

Tolerance: $\pm 0.5"$ (1.27 cm)



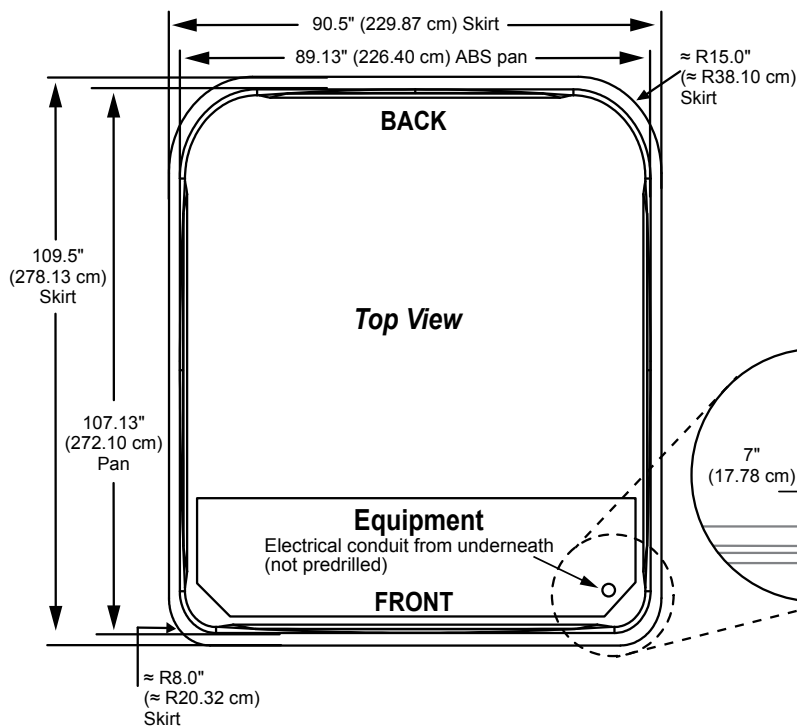
RIGHT SIDE VIEW

Tolerance: $\pm 0.5"$ (1.27 cm)



Important Panel Details

NOTE: Over time the panel(s) may bow, this is considered normal. The panels will straighten out when reinstalled into the mounting channel. Place one end of the panel into the channel first then flatten the panel and insert the other end.



IMPORTANT! Always measure each hot tub for exact dimensions **BEFORE** designing its foundational support and/or decking.



Dimensions/specifications subject to change without notice. Tolerance $\pm 0.5"$ (1.27 cm)

Jacuzzi J-485

Specifications

Seating Capacity	6-7 Adults
Dimensions	91" x 91" x 37.5" Front/43.5" Back, (231.14 cm x 231.14 cm x 95.25 cm Front/110.5 cm Back); For complete dimensions, See page 95
Dry Weight	916 lbs (415 kg)
Filled Weight (Average Fill)	4,544 lbs (2,061 kg)
Water Capacity (Average Fill)	435 US gallons (1,647 Liters)
Filled Weight (Spa Volume)	5,336 lbs (2,421 kg)
Water Capacity (Spa Volume)	530 US gallons (2,006 Liters)
Electronic Controls	ProTouch™ 2 LCD control panel, user interface displays temperature, time, cycles and fingertip jet control. Offers customizing of pre-programmed filtration cycles, heating modes and water temperature setting.
Pump 1	North America (60 Hz): 1-Speed, 5.1 HP break, 2.5 HP continuous, 56 Frame
Export (50 Hz):	1-Speed, 2.0 HP continuous
Pump 2	North America (60 Hz): 1-Speed, 5.1 HP break, 2.5 HP continuous, 56 Frame
Export (50 Hz):	1-Speed, 2.0 HP continuous
Circulation Pump	Yes, 8-Hour
Total PowerPro® Jets	49
Seat A Jets	2 PowerPro® NX2, 3 PowerPro® MX
Seat B Jets	2 PowerPro® NX2, 6 PowerPro® RX
Seat C Jets	2 PowerPro® FX Large
Seat D Jets	2 PowerPro® NX2, 4 PowerPro® FX Rotational, 6 PowerPro® FX, 2 PowerPro® PX
Seat E Jets	2 PowerPro® RX, 2 PowerPro® FX
Seat F Jets	4 PowerPro® FX, 1 PowerPro® FX Large Rotational, 2 PowerPro® FX Rotational
Footwell (G)	8 PowerPro® FX Small, 1 PowerPro® FX Large
Massage Selectors	2
Air Controls	4, On/Off rocker switch, air controller
Water Management System	One ProClarity® 40 ft ³ filter cartridge and 1 ProClarity® depth load filter on 8-hour circulation pump; one ProCatch® bag with ProClear® 60 ft ³ filter; Floating Weir; Factory installed CLEARARRAY® Water Purification System
Export (50 Hz):	Factory installed CLEARARRAY® Water Purification System
LED Lighting	Waterfall light, massage selectors, cupholders, underwater, indicator light, and OPTIONAL exterior lights
ProFinish™ Cabinet Colors	Modern Hardwood, Brushed Gray, and Smoked Ebony
Acrylic Colors	Platinum, Silver Pearl (Gypsum), Desert Sand, Midnight, Monaco, Opal, Porcelain, Sahara, Sandstone
Headrests	4
Waterfall	One with independent flow rate (on or off) adjustment; powered by 8-hour circulation pump
Electrical Requirements:	North America (60 Hz): 240 VAC@40A, 50A, or 60A Export (50 Hz): 230-240 VAC@ 1x32A, 1x20A/1x16A, 1x16A/1x16A/1x16A or suitably rated circuit breaker to comply with local electrical codes. Certain countries may require dual power inputs; two GFCI RCD breakers are required for this configuration.
Warranty*	North America (60 Hz): 10 Years Shell, 7 Years Shell Surface, 5 Years Plumbing Component Leaks, 5 Years Equipment and Controls, 5 Years Cabinet, 2 Years Jets, 2 Years Lights, 1 Year Stereo; Export (50 Hz): 10 Years Shell, 7 Years Shell Surface, 5 Years Plumbing Component Leaks, 5 Years Equipment and Controls, 5 Years Cabinet, 2 Years Jets, 2 Years Lights, 2 Years Stereo
Special Features (Optional)	SmartTub™ Module, Exterior lights
Audio System (Optional)	BLUEWAVE® Spa Stereo System with Bluetooth capability and Aux 3.5 mm headphone jack port; 4 premium speakers, a powered subwoofer

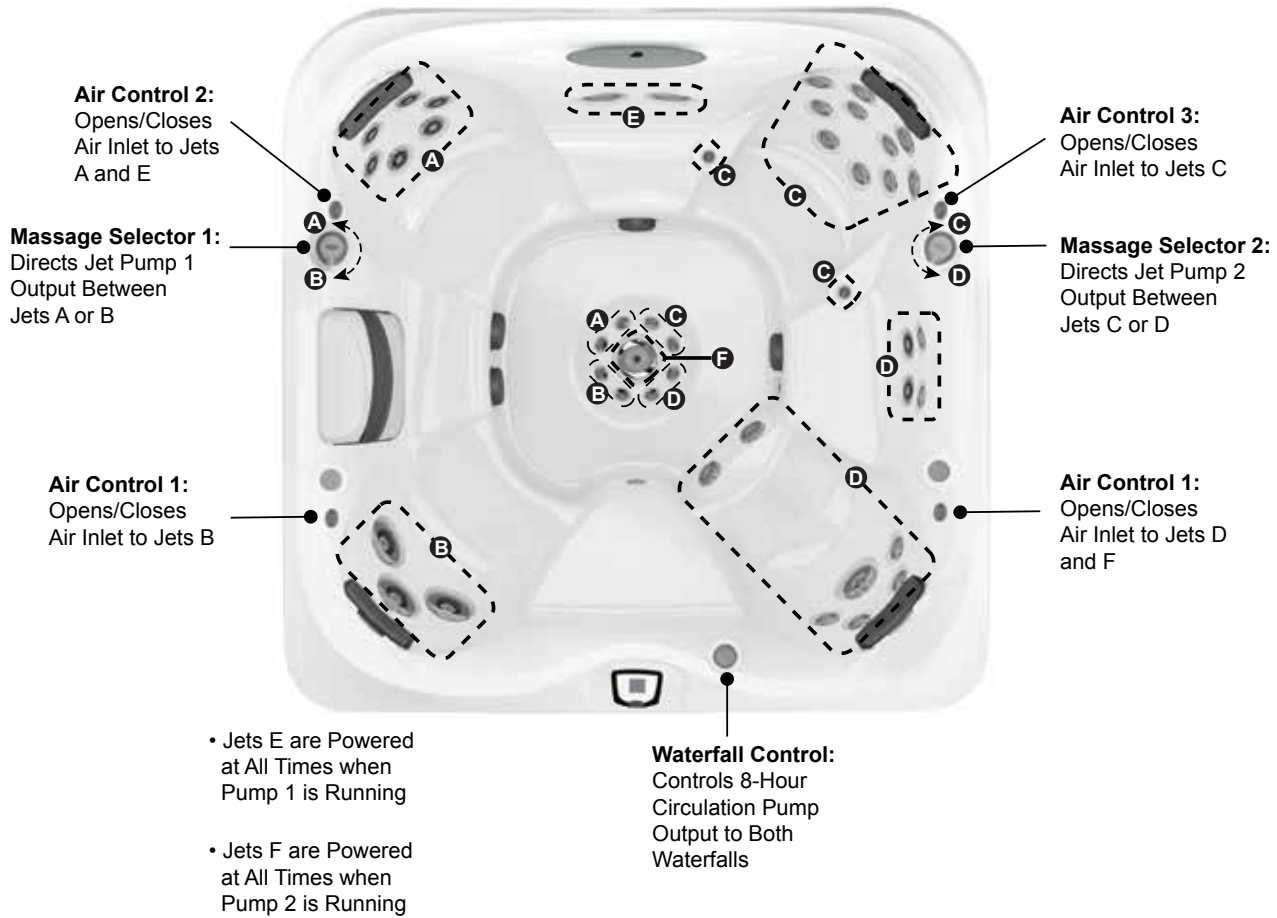


*(See Warranty Document for Specific Details)

Dimensions/Specifications are Subject to Change Without Notice

Jacuzzi J-485

Massage Selector/Air Control Diagram



49 Total Jets

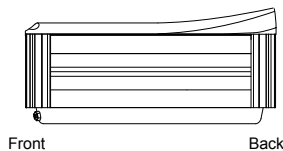


Spa Operation Subject to Change without Notice

Seat Depths

A = 25.25" (64.14 cm)
B = 23.00" (58.42 cm)
C = 29.50" (74.93 cm)
D = 23.25" (59.06 cm)
E = 29.25" (74.30 cm)
F = 21.00" (53.34 cm)

G = 27.38" (69.55 cm)
H = 17.25" (43.82 cm)
I = 32.50" (82.55 cm)



Listed dimensions represent distance from top of acrylic to lowest point in seat.
Tolerance ± 0.5" (1.27 cm).

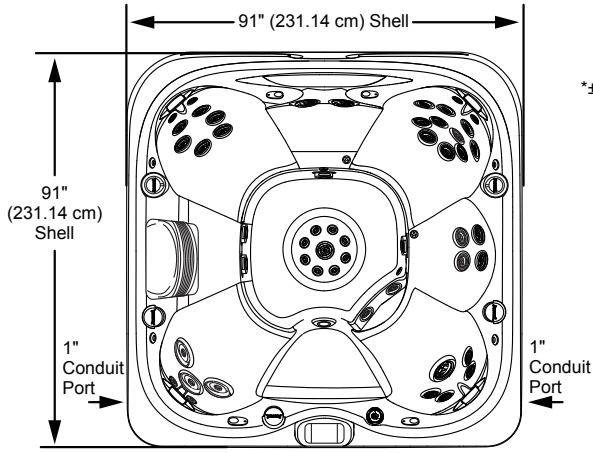


Dimensions/Specifications are Subject to Change Without Notice

Jacuzzi J-485

Dimensions

TOP VIEW

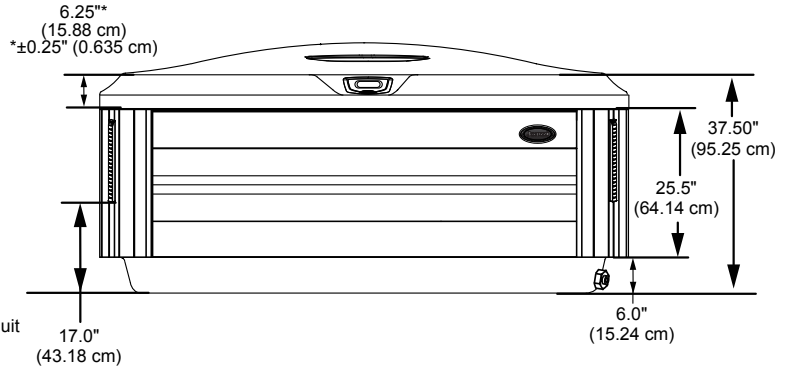


FRONT

Equipment Bay/Pump Access
CLEARARRAY, Optional BLUEWAVE®,
and Optional SmartTub System
located behind the cabinet

FRONT VIEW

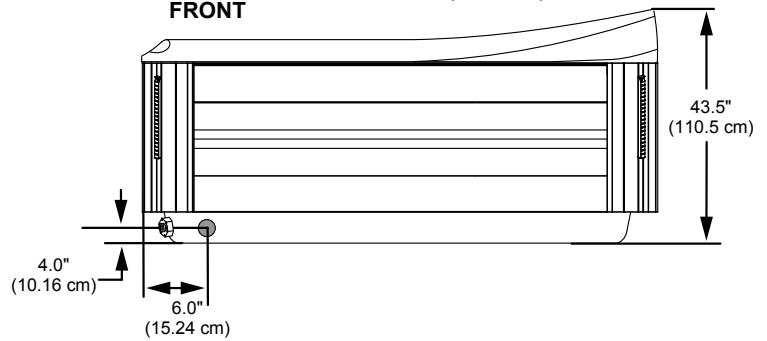
Tolerance: $\pm 0.5"$ (1.27 cm)



RIGHT SIDE VIEW

Tolerance: $\pm 0.5"$ (1.27 cm)

BACK

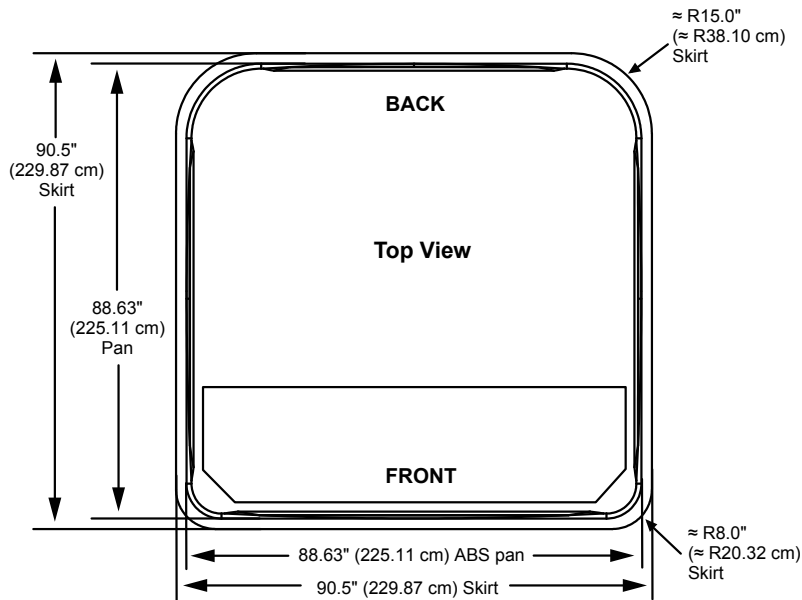


Important Panel Details

NOTE: Over time the panel(s) may bow, this is considered normal. The panels will straighten out when reinstalled into the mounting channel. Place one end of the panel into the channel first then flatten the panel and insert the other end.



IMPORTANT! Always measure each hot tub for exact dimensions **BEFORE** designing its foundational support and/or decking.



Dimensions/specifications subject to change without notice. Tolerance $\pm 0.5"$ (1.27 cm)

Jacuzzi J-475

Specifications

Seating Capacity	6-7 Adults
Dimensions	91" x 91" x 37.5" Front/43.5" Back, (231.14 cm x 231.14 cm x 95.25 cm Front/110.49 cm Back); For Complete Dimensions, See page 95
Dry Weight	925 lbs (419.5 kg)
Filled Weight (Average Fill)	4,595 lbs (2,084 kg)
Water Capacity (Average Fill)	440 US gallons (1,666 Liters)
Filled Weight (Spa Volume)	5,387 lbs (2,444 kg)
Water Capacity (Spa Volume)	535 US gallons (2,025 Liters)
Electronic Controls	ProTouch™ 2 LCD control panel, user interface displays temperature, time, cycles and fingertip jet control. Offers customizing of pre-programmed filtration cycles, heating modes and water temperature setting.
Pump 1	North America (60 Hz): 1-Speed, 5.1 HP break, 2.5 HP continuous, 56 Frame Export (50 Hz): 1-Speed, 2.0 HP continuous
Pump 2	North America (60 Hz): 1-Speed, 5.1 HP break, 2.5 HP continuous, 56 Frame Export (50 Hz): 1-Speed, 2.0 HP continuous
Circulation Pump	Yes, 8-Hour
Total PowerPro® Jets	55
Seat A Jets	2 PowerPro® NX2, 3 PowerPro® MX, 2 PowerPro® FX Rotational
Seat B Jets	2 PowerPro® NX2, 6 PowerPro® FX Rotational, 6 PowerPro® FX
Seat C Jets	2 PowerPro® FX Large
Seat D Jets	2 PowerPro® NX2, 6 PowerPro® RX, 8 PowerPro® PX, 2 PowerPro® FX Large
Seat E Jet	4 PowerPro® FX, 1 PowerPro® FX Large Rotational
Footwell (F)	8 PowerPro® FX Small, 1 PowerPro® FX Large
Massage Selectors	2
Air Controls	4, On/Off rocker switch air controller
Water Management System	One ProClarity® 40 ft ² filter cartridge and 1 ProClarity® depth load filter on 8-hour circulation pump; one ProCatch® bag with ProClear® 60 ft ² filter; Floating Weir; Factory installed CLEARRAY® Water Purification System Export (50 Hz): Factory installed CLEARRAY® Water Purification System
LED Lighting	Waterfall light, massage selectors, cupholders, underwater, indicator light, and OPTIONAL exterior lights
ProFinish™ Cabinet Colors	Modern Hardwood, Brushed Gray, and Smoked Ebony
Acrylic Colors	Platinum, Silver Pearl (Gypsum), Desert Sand, Monaco, Opal, Midnight, Sahara, Sandstone, Porcelain
Headrests	4
Waterfall	One with independent flow rate (on or off) adjustment; powered by 8-hour circulation pump
Electrical Requirements:	North America (60 Hz): 240 VAC@40A, 50A, or 60A Export (50 Hz): 230-240 VAC@ 1x32A, 1x20A/1x16A, 1x16A/1x16A/1x16A or suitably rated circuit breaker to comply with local electrical codes. Certain countries may require dual power inputs; two GFCI RCD breakers are required for this configuration.
Warranty*	North America (60 Hz): 10 Years Shell, 7 Years Shell Surface, 5 Years Plumbing Component Leaks, 5 Years Equipment and Controls, 5 Years Cabinet, 2 Years Jets, 2 Years Lights, 1 Year Stereo; Export (50 Hz): 10 Years Shell, 7 Years Shell Surface, 5 Years Plumbing Component Leaks, 5 Years Equipment and Controls, 5 Years Cabinet, 2 Years Jets, 2 Years Lights, 2 Years Stereo
Special Features (Optional)	SmartTub™ Module, Exterior lights
Audio System (Optional)	BLUEWAVE® Spa Stereo System with Bluetooth capability and Aux 3.5 mm headphone jack port; 4 premium speakers, a powered subwoofer

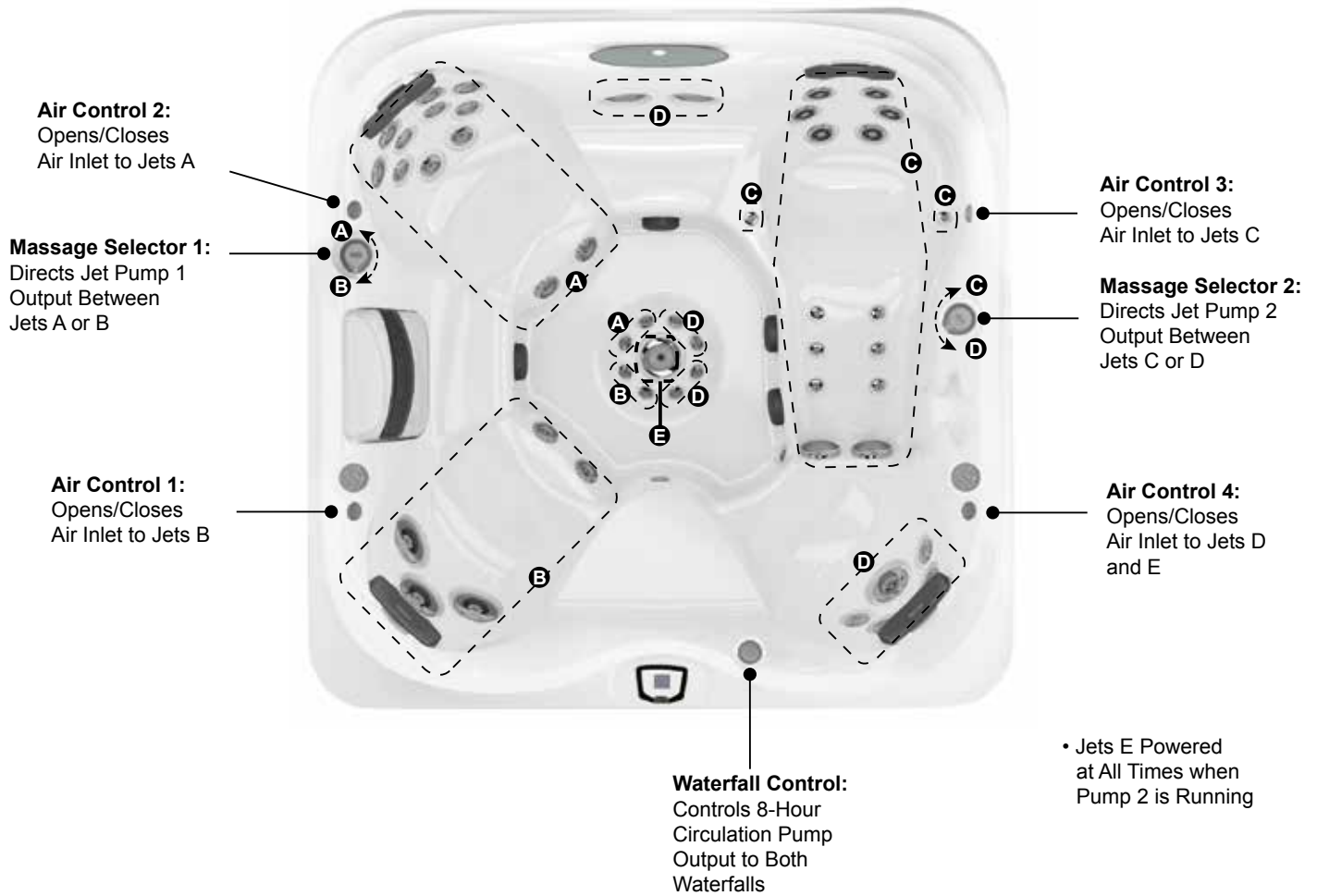


*(See Warranty Document for Specific Details)

Dimensions/Specifications are Subject to Change Without Notice

Jacuzzi J-475

Massage Selector/Air Control Diagram



55 Total Jets

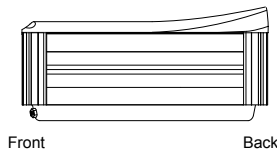


Spa Operation Subject to Change without Notice

Seat Depths

- A = 25.25" (64.14 cm)**
- B = 23.00" (58.42 cm)**
- C = 29.50" (74.93 cm)**
- D = 23.25" (59.06 cm)**
- E = 29.25" (74.30 cm)**
- F = 25.25" (64.14 cm)**

- G = 17.25" (43.82 cm)**
- H = 32.50" (82.55 cm)**
- I = 19.75" (50.17 cm)**
- J = 28.50" (72.39 cm)**



Listed dimensions represent distance from top of acrylic to lowest point in seat.
Tolerance ± 0.5" (1.27 cm).

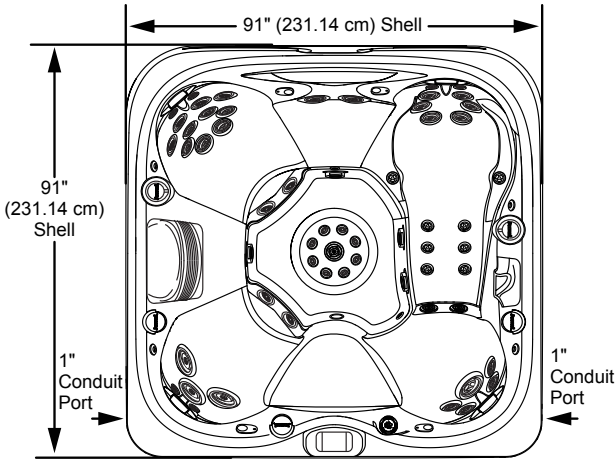


Dimensions/Specifications are Subject to Change Without Notice

Jacuzzi J-475

Dimensions

TOP VIEW

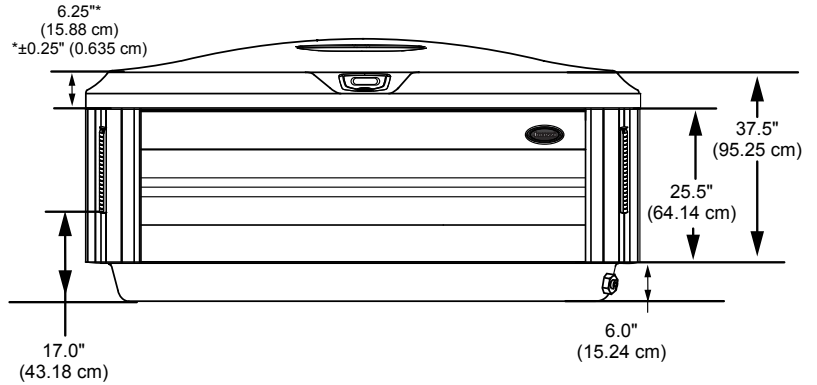


FRONT

Equipment Bay/Pump Access
CLEARRAY, Optional BLUEWAVE®,
and Optional SmartTub System
located behind the cabinet

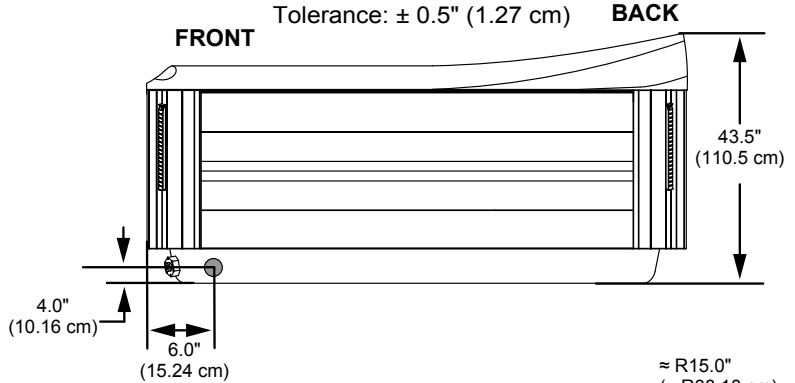
FRONT VIEW

Tolerance: $\pm 0.5"$ (1.27 cm)



RIGHT SIDE VIEW

Tolerance: $\pm 0.5"$ (1.27 cm)

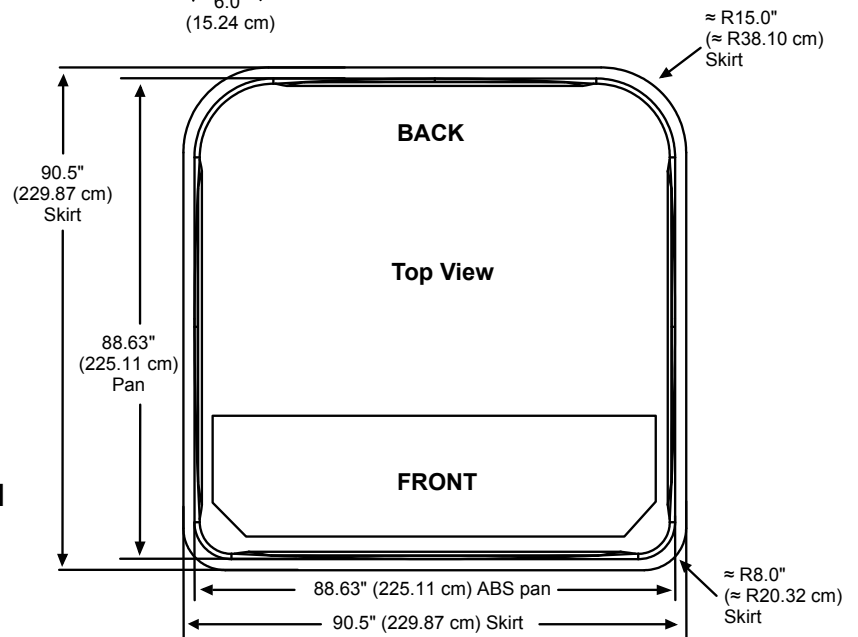


Important Panel Details

NOTE: Over time the panel(s) may bow, this is considered normal. The panels will straighten out when reinstalled into the mounting channel. Place one end of the panel into the channel first then flatten the panel and insert the other end.



IMPORTANT! Always measure each hot tub for exact dimensions **BEFORE** designing its foundational support and/or decking.



Dimensions/specifications subject to change without notice. Tolerance $\pm 0.5"$ (1.27 cm)

Jacuzzi J-445

Specifications

Seating Capacity	6 Adults
Dimensions	84" x 84" x 37.5" Front/43.5" Back, (213.5 cm x 213.5 cm x 95.25 cm Front/110.5 cm Back); For Complete Dimensions, See page 95
Dry Weight	855 lbs (388 kg)
Filled Weight (Average Fill)	4,024 lbs (1,825 kg)
Water Capacity (Average Fill)	380 US gallons (1,438 Liters)
Filled Weight (Spa Volume)	4,525 lbs (2,052 kg)
Water Capacity (Spa Volume)	440 US gallons (1,666 Liters)
Electronic Controls	ProTouch™ 2 LCD control panel, user interface displays temperature, time, cycles and fingertip jet control. Offers customizing of pre-programmed filtration cycles, heating modes and water temperature setting.
Pump 1	North America (60 Hz): 1-Speed, 5.1 HP break, 2.5 HP continuous, 56 Frame Export (50 Hz): 1-Speed, 2.0 HP continuous
Pump 2	North America (60 Hz): 1-Speed, 5.1 HP break, 2.5 HP continuous, 56 Frame Export (50 Hz): 1-Speed, 2.0 HP continuous
Circulation Pump	Yes, 8-Hour
Total PowerPro® Jets	45
Seat A Jets	2 PowerPro® NX2, 3 PowerPro® MX
Seat B Jets	2 PowerPro® RX
Seat C Jets	2 PowerPro® FX, 6 PowerPro® RX, 2 PowerPro® FX Rotational
Seat D Jets	1 PowerPro® FX Large Rotational
Seat E Jets	2 PowerPro® NX2, 4 PowerPro® FX Rotational, 6 PowerPro® FX
Seat F Jets	4 PowerPro® FX, 1 PowerPro® FX Large Rotational, 2 PowerPro® FX Rotational
Footwell (G)	8 PowerPro® FX Small
Massage Selectors	2
Air Controls	4, On/Off rocker switch, air controller
Water Management System	One ProClarity® 40 ft ³ filter cartridge and 1 ProClarity® depth load filter on 8-hour circulation pump; one ProCatch® bag with ProClear® 60 ft ³ filter; Floating Weir; Factory installed CLEARRAY® Water Purification System Export (50 Hz): Factory installed CLEARRAY® Water Purification System
LED Lighting	One waterfall with light, one underwater light, cupholders, massage selector lights, indicator light, and OPTIONAL exterior lights
ProFinish™ Cabinet Colors	Modern Hardwood, Brushed Gray, and Smoked Ebony
Acrylic Colors	Platinum, Silver Pearl, Desert Sand, Monaco, Opal, Midnight, Caribbean Surf, Sahara, Sandstone, Porcelain
Headrests	4
Waterfall	One with Independent flow rate (on or off) adjustment; powered by 8-hour circulation pump
Electrical Requirements:	North America (60 Hz): 240 VAC@40A, 50A, or 60A Export (50 Hz): 230-240 VAC@ 1x32A, 1x20A/1x16A, or 1x16A/1x16A/1x16A or suitably rated circuit breaker to comply with local electrical codes. Certain countries may require dual power inputs; two GFCI RCD breakers are required for this configuration.
Warranty*	North America (60 Hz): 10 Years Shell, 7 Years Shell Surface, 5 Years Plumbing Component Leaks, 5 Years Equipment and Controls, 5 Years Cabinet, 2 Years Jets, 2 Years Lights, 1 Year Stereo Export (50 Hz): 10 Years Shell, 7 Years Shell Surface, 5 Years Plumbing Component Leaks, 5 Years Equipment and Controls, 5 Years Cabinet, 2 Years Jets, 2 Years Lights, 2 Years Stereo
Special Features (Optional)	SmartTub™ Module, Exterior lights
Audio System (Optional)	BLUEWAVE® Spa Stereo System with Bluetooth capability and Aux 3.5 mm headphone jack port; 4 premium speakers, a powered subwoofer

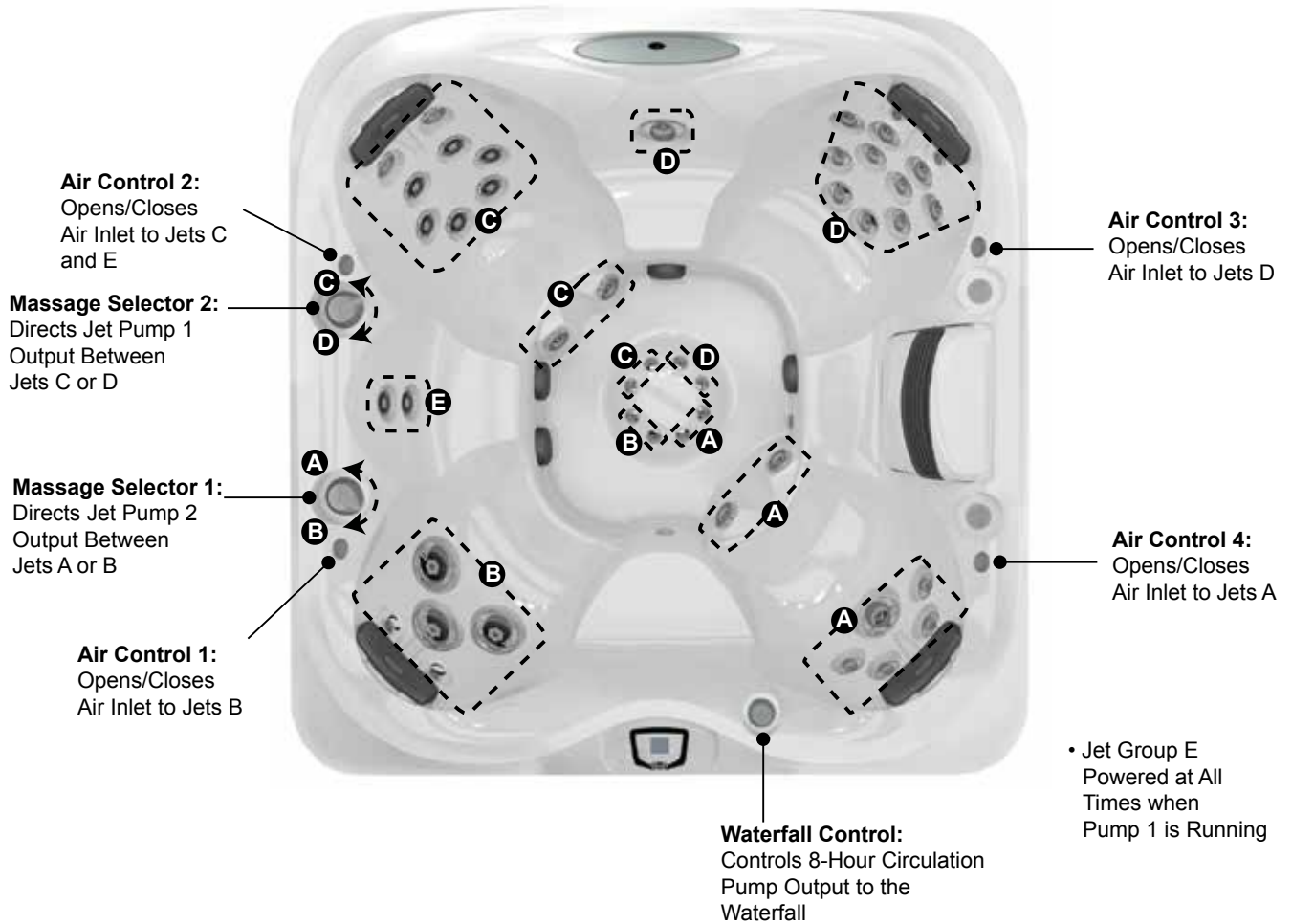


*(See Warranty Document for Specific Details)

Dimensions/Specifications are Subject to Change Without Notice

Jacuzzi J-445

Massage Selector/Air Control Diagram



45 Total Jets

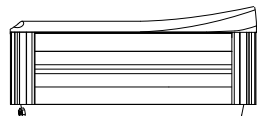


Spa Operation Subject to Change without Notice

Seat Depths

- A = 25.50" (64.77 cm)**
- B = 21.00" (53.34 cm)**
- C = 30.00" (76.20 cm)**
- D = 23.00" (58.42 cm)**
- E = 29.00" (73.66 cm)**
- F = 23.00" (58.42 cm)**

- G = 25.50" (64.77 cm)**
- H = 18.00" (45.72 cm)**
- I = 34.00" (86.36 cm)**



Front Back

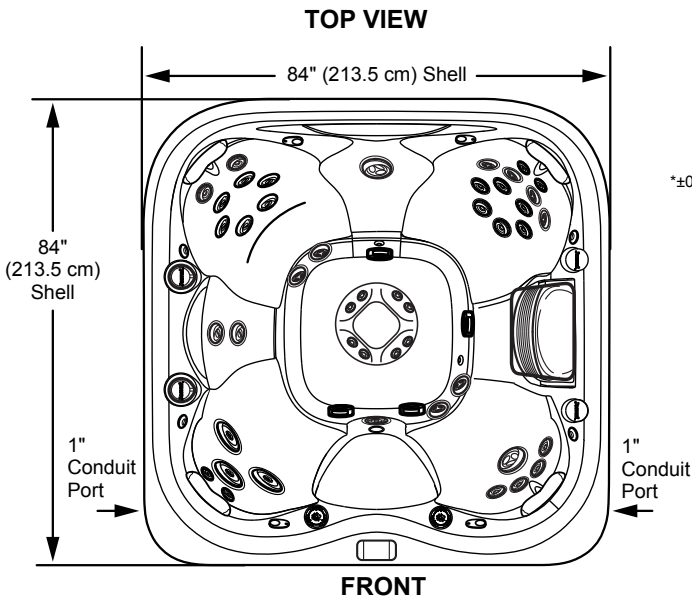
Listed dimensions represent distance from top of acrylic to lowest point in seat. Tolerance $\pm 0.5"$ (1.27 cm).



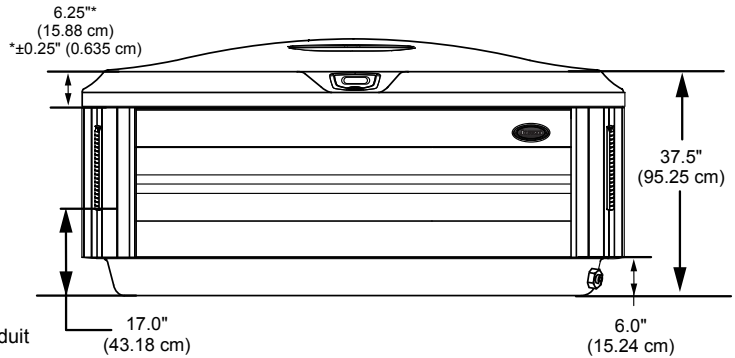
Dimensions/Specifications are Subject to Change Without Notice

Jacuzzi J-445

Dimensions

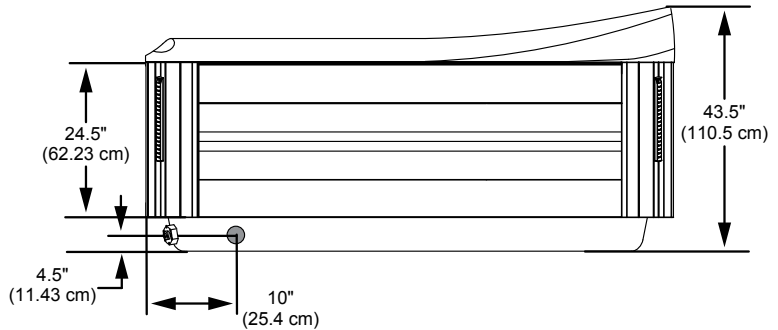


FRONT VIEW
Tolerance: $\pm 0.5"$ (1.27 cm)



Equipment Bay/Pump Access
CLEARRAY, Optional BLUEWAVE®,
and Optional SmartTub System
located behind the cabinet

RIGHT SIDE VIEW
Tolerance: $\pm 0.5"$ (1.27 cm)

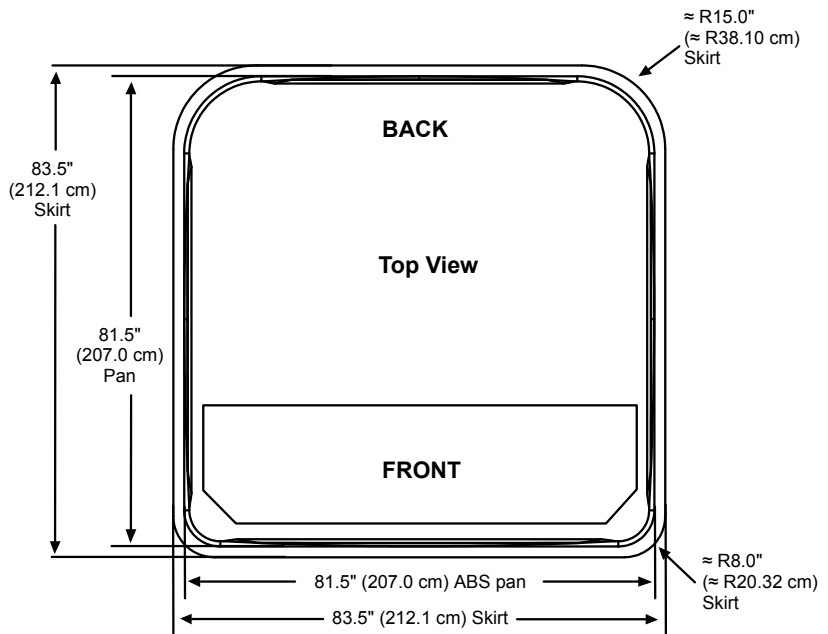


Important Panel Details

NOTE: Over time the panel(s) may bow, this is considered normal. The panels will straighten out when reinstalled into the mounting channel. Place one end of the panel into the channel first then flatten the panel and insert the other end.



IMPORTANT! Always measure each hot tub for exact dimensions BEFORE designing its foundational support and/or decking.



Dimensions/specifications subject to change without notice. Tolerance $\pm 0.5"$ (1.27 cm)

Jacuzzi J-435

Specifications

Seating Capacity	5-6 Adults
Dimensions	84" x 84" x 37.5" Front/43.5" Back, (213.5 cm x 213.5 cm x 95.25 cm Front/110.5 cm Back); For Complete Dimensions, See page 95
Dry Weight	822 lbs (373 kg)
Filled Weight (Average Fill)	3,824 lbs (1,735 kg)
Water Capacity (Average Fill)	360 US gallons (1,363 Liters)
Filled Weight (Spa Volume)	4,492 lbs (2,037 kg)
Water Capacity (Spa Volume)	440 US gallons (1,666 Liters)
Electronic Controls	ProTouch™ 2 LCD control panel, user interface displays temperature, time, cycles and fingertip jet control. Offers customizing of pre-programmed filtration cycles, heating modes and water temperature setting.
Pump 1	North America (60 Hz): 1-Speed, 5.1 HP break, 2.5 HP continuous, 56 Frame Export (50 Hz): 1-Speed, 2.0 HP continuous
Pump 2	North America (60 Hz): 1-Speed, 5.1 HP break, 2.5 HP continuous, 56 Frame Export (50 Hz): 1-Speed, 2.0 HP continuous
Circulation Pump	Yes, 8-Hour
Total PowerPro® Jets	47
Seat A Jets	3 PowerPro® FX
Seat B Jets	2 PowerPro® NX2, 6 PowerPro® RX, 2 PowerPro® PX, 6 PowerPro® FX Small, 2 PowerPro® FX Rotational
Seat C Jets	1 PowerPro® FX Large Rotational
Seat D Jets	2 PowerPro® NX2, 4 PowerPro® FX Rotational, 6 PowerPro® FX
Seat E Jets	2 PowerPro® RX
Seat F Jets	2 PowerPro® NX2, 3 PowerPro® MX, 2 PowerPro® FX Rotational
Footwell (G)	4 PowerPro® FX Small
Massage Selectors	2
Air Controls	3, On/Off rocker switch air controller
Water Management System	One ProClarity® 40 ft ² filter cartridge and 1 ProClarity® depth load filter on 8-hour circulation pump; one ProCatch® bag with ProClear® 60 ft filter; Floating Weir; Factory installed CLEARRAY® Water Purification System Export (50 Hz): Factory installed CLEARRAY® Water Purification System
LED Lighting	One waterfall with light, one underwater light, cupholder, massage selector lights, indicator light, and OPTIONAL exterior lights
ProFinish™ Cabinet Colors	Modern Hardwood, Brushed Gray, and Smoked Ebony
Acrylic Colors	Platinum, Silver Pearl, Sahara, Opal, Desert Sand, Monaco, Midnight, Caribbean Surf, Sandstone, Porcelain
Headrests	3
Waterfall	One with Independent flow rate (on or off) adjustment; powered by 8-hour circulation pump
Electrical Requirements:	North America (60 Hz): 240 VAC@40A, 50A, or 60A Export (50 Hz): 230-240 VAC@ 1x32A, 1x20A/1x16A, or 1x16A/1x16A/1x16A or suitably rated circuit breaker to comply with local electrical codes. Certain countries may require dual power inputs; two GFCI RCD breakers are required for this configuration.
Warranty*	North America (60 Hz): 10 Years Shell, 7 Years Shell Surface, 5 Years Plumbing Component Leaks, 5 Years Equipment and Controls, 5 Years Cabinet, 2 Years Jets, 2 Years Lights, 1 Year Stereo Export (50 Hz): 10 Years Shell, 7 Years Shell Surface, 5 Years Plumbing Component Leaks, 5 Years Equipment and Controls, 5 Years Cabinet, 2 Years Jets, 2 Years Lights, 2 Years Stereo
Special Features (Optional)	SmartTub™ Module, Exterior lights
Audio System (Optional)	BLUEWAVE® Spa Stereo System with Bluetooth capability and Aux 3.5 mm head-phone jack port; 4 premium speakers, a powered subwoofer

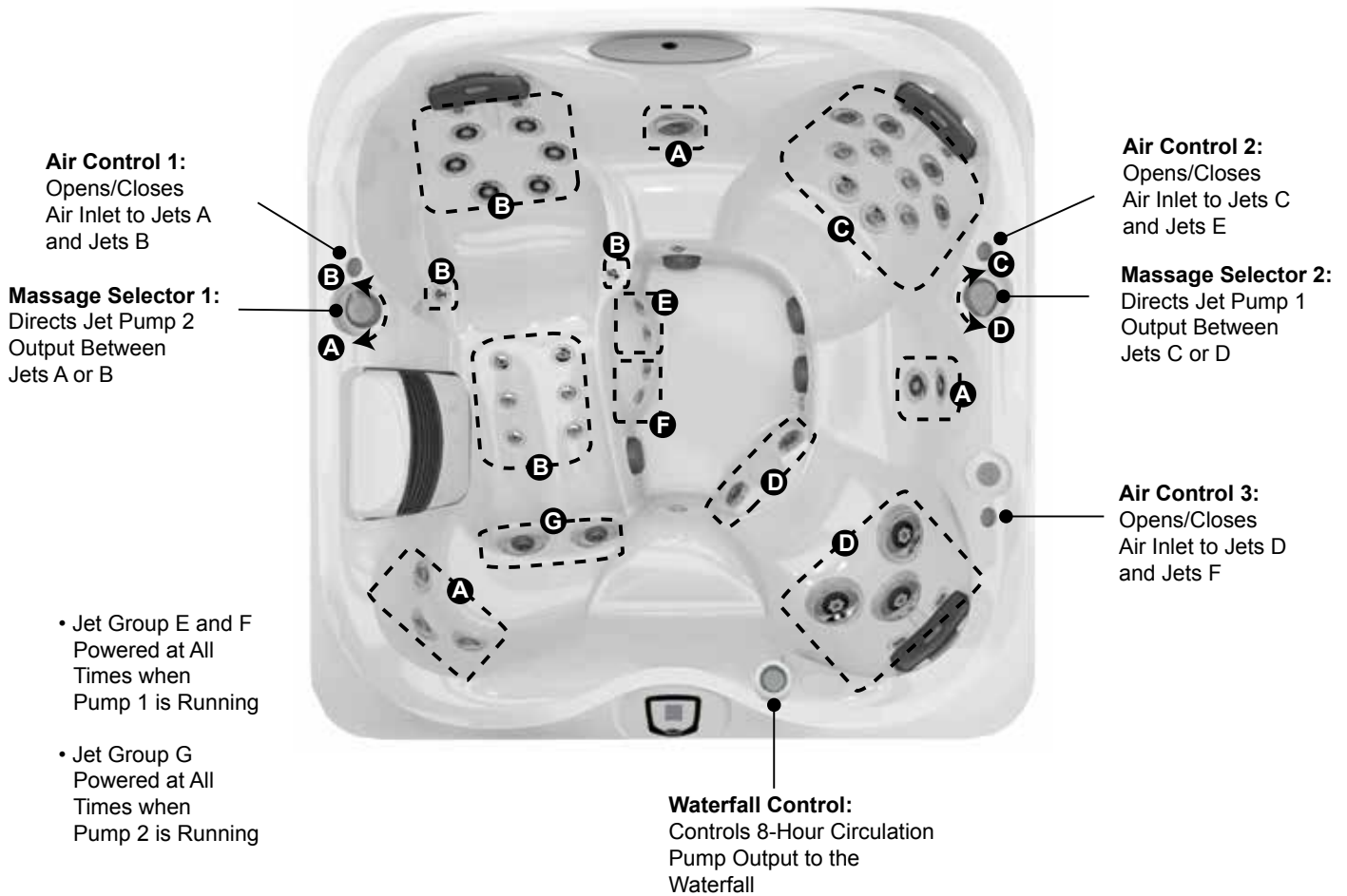


*(See Warranty Document for Specific Details)

Dimensions/Specifications are Subject to Change Without Notice

Jacuzzi J-435

Massage Selector/Air Control Diagram



47 Total Jets

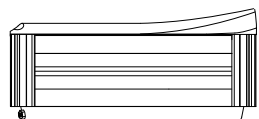


Spa Operation Subject to Change without Notice

Seat Depths

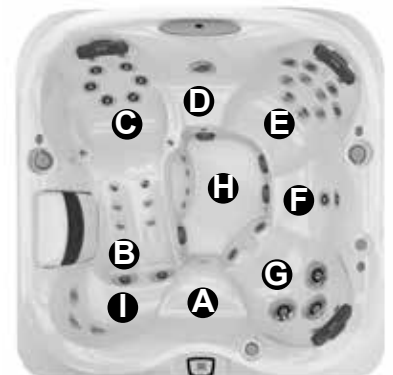
- A = 17.75" (45.09 cm)**
- B = 27.75" (70.49 cm)**
- C = 29.00" (73.66 cm)**
- D = 23.00" (58.42 cm)**
- E = 30.00" (76.20 cm)**
- F = 23.50" (59.69 cm)**

- G = 25.50" (64.77 cm)**
- H = 33.50" (85.09 cm)**
- I = 20.50" (52.07 cm)**



Front Back

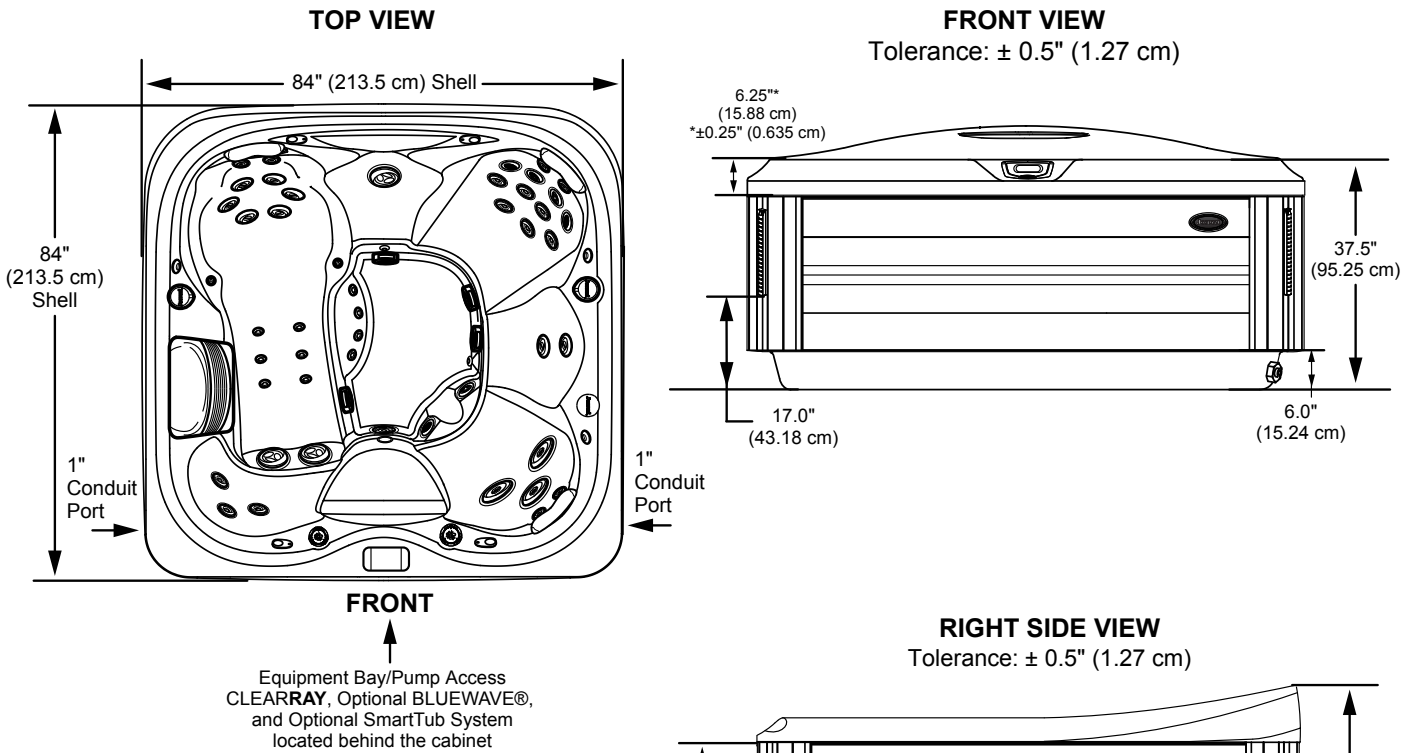
Listed dimensions represent distance from top of acrylic to lowest point in seat. Tolerance $\pm 0.5"$ (1.27 cm).



Dimensions/Specifications are Subject to Change Without Notice

Jacuzzi J-435

Dimensions

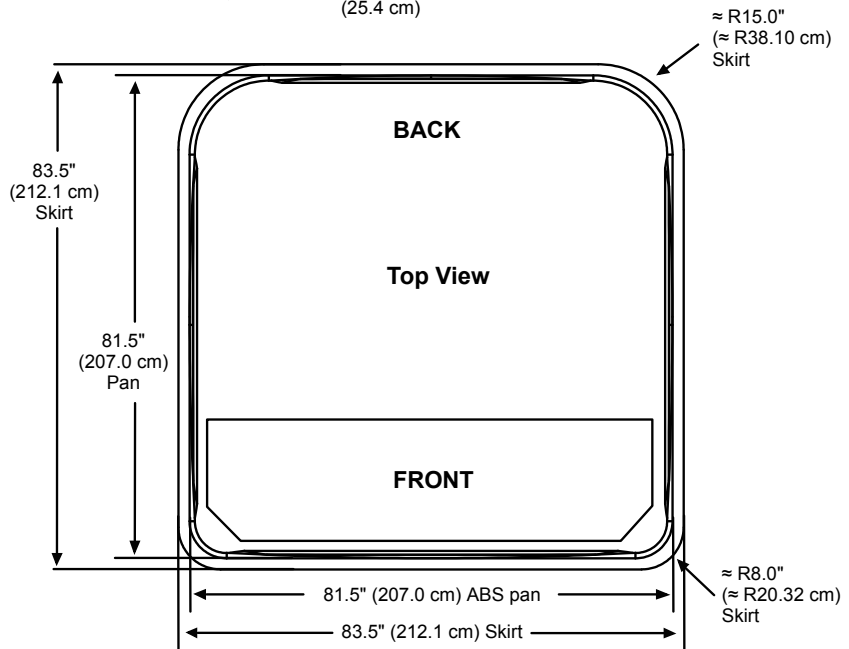


Important Panel Details

NOTE: Over time the panel(s) may bow, this is considered normal. The panels will straighten out when reinstalled into the mounting channel. Place one end of the panel into the channel first then flatten the panel and insert the other end.



IMPORTANT! Always measure each hot tub for exact dimensions **BEFORE** designing its foundational support and/or decking.

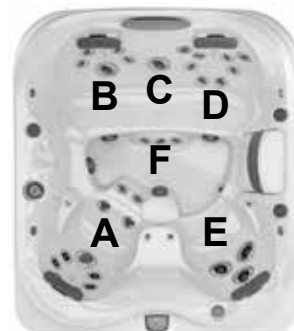


Dimensions/specifications subject to change without notice. Tolerance $\pm 0.5"$ (1.27 cm)

Jacuzzi J-425

Specifications

Seating Capacity	4-5 Adults
Dimensions	76" x 87" x 34" Front/40" Back, (193.04 cm x 220.98 cm x 86.36 cm Front/101.60 cm Back); For Complete Dimensions, See page 95
Dry Weight	776 lbs (352 kg)
Filled Weight (Spa Volume)	4,279 lbs (1,941 kg)
Filled Weight (Average Fill)	3,445 lbs (1,563 kg)
Water Capacity (Spa Volume)	420 US gallons (1,590 Liters)
Water Capacity (Average Fill)	320 US gallons (1,211 Liters)
Electronic Controls	ProTouch™ LCD control panel, user interface displays temperature, time, cycles and fingertip jet control. Offers customizing of pre-programmed filtration cycles, heating modes and water temperature setting.
Pump 1	North America (60 Hz): 1-Speed, 5.1 HP break, 2.5 HP continuous, 56 Frame
Export (50 Hz):	1-Speed, 2.0 HP continuous
Pump 2	North America (60 Hz): 1-Speed, 5.1 HP break, 2.5 HP continuous, 56 Frame
Export (50 Hz):	1-Speed, 2.0 HP continuous
Circulation Pump	Yes, 8-Hour
Total PowerPro® Jets	35
Seat A Jets	2 PowerPro® NX2, 4 PowerPro® RX, 1 PowerPro® FX Large, 2 PowerPro® FX Rotational, 2 PowerPro® FX, 2 PowerPro® PX
Seat B Jets	4 PowerPro® FX, 1 PowerPro® FX Large Rotational
Seat C Jets	1 PowerPro® FX Large Rotational
Seat D Jets	2 PowerPro® FX Rotational, 6 PowerPro® FX
Seat E Jets	3 PowerPro® MX, 2 PowerPro® PX
Footwell (F)	3 PowerPro® FX
Massage Selectors	1
Air Controls	4
Water Management System	One ProClarity® 40 ft ² filter cartridge and 1 ProClarity® depth load filter on 8-hour circulation pump; one ProCatch® bag with ProClear® 60 ft ² filter; Floating Weir; Factory installed CLEARRAY® Water Purification System
Export (50 Hz):	Factory installed CLEARRAY® Water Purification System
LED Lighting	One waterfall with light, pillows, indicator light, and OPTIONAL exterior lights
ProFinish™ Cabinet Colors	Modern Hardwood, Brushed Gray, and Smoked Ebony
Acrylic Colors	Platinum, Silver Pearl (Gypsum), Desert Sand, Monaco, Opal, Midnight, Caribbean Surf, Sahara, Sandstone, Porcelain
Headrests	4
Waterfalls	One independent flow rate (on or off) adjustment; powered by 8-hour circulation pump
Electrical Requirements:	North America (60 Hz): 240 VAC@40A, 50A, or 60A Export (50 Hz): 230-240 VAC@ 1x32A, 1x20A/1x16A, or 1x16A/1x16A/1x16A or suitably rated circuit breaker to comply with local electrical codes. Certain countries may require dual power inputs; two GFCI RCD breakers are required for this configuration.
Warranty*	North America (60 Hz): 10 Years Shell, 7 Years Shell Surface, 5 Years Plumbing Component Leaks, 5 Years Equipment and Controls, 5 Years Cabinet, 2 Years Jets, 2 Years Lights, 1 Year Stereo; Export (50 Hz): 10 Years Shell, 7 Years Shell Surface, 5 Years Plumbing Component Leaks, 5 Years Equipment and Controls, 5 Years Cabinet, 2 Years Jets, 2 Years Lights, 2 Years Stereo
Special Features (Optional)	SmartTub™ Module, Exterior lights
Audio System (Optional)	BLUEWAVE® Spa Stereo System with Bluetooth capability and Aux 3.5 mm head-phone jack port; 4 premium speakers, a powered subwoofer

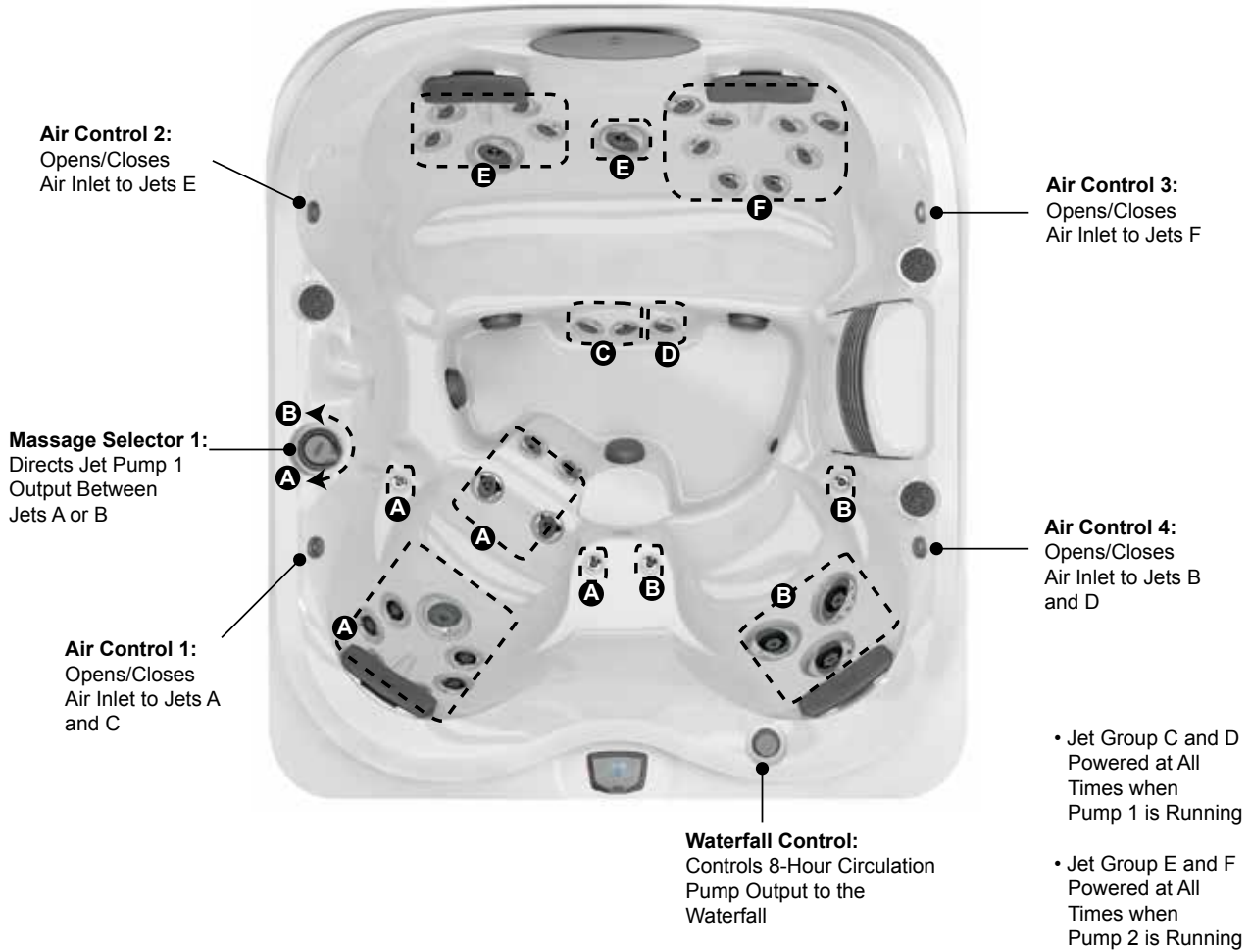


*(See Warranty Document for Specific Details)

Dimensions/Specifications are Subject to Change Without Notice

Jacuzzi J-425

Massage Selector/Air Control Diagram



35 Total Jets



Spa Operation Subject to Change without Notice

Seat Depths

A = 27.00" (68.58 cm)

B = 28.00" (71.12 cm)

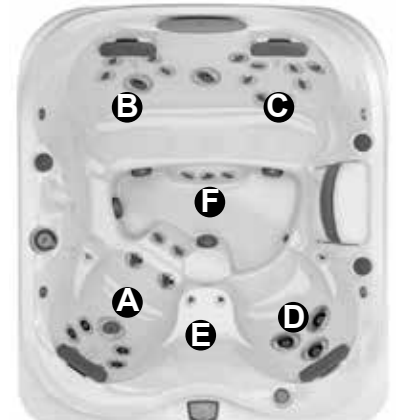
C = 28.00" (71.12 cm)

D = 27.00" (68.58 cm)

E = 16.75" (42.55 cm)

F = 31.25" (79.38 cm)

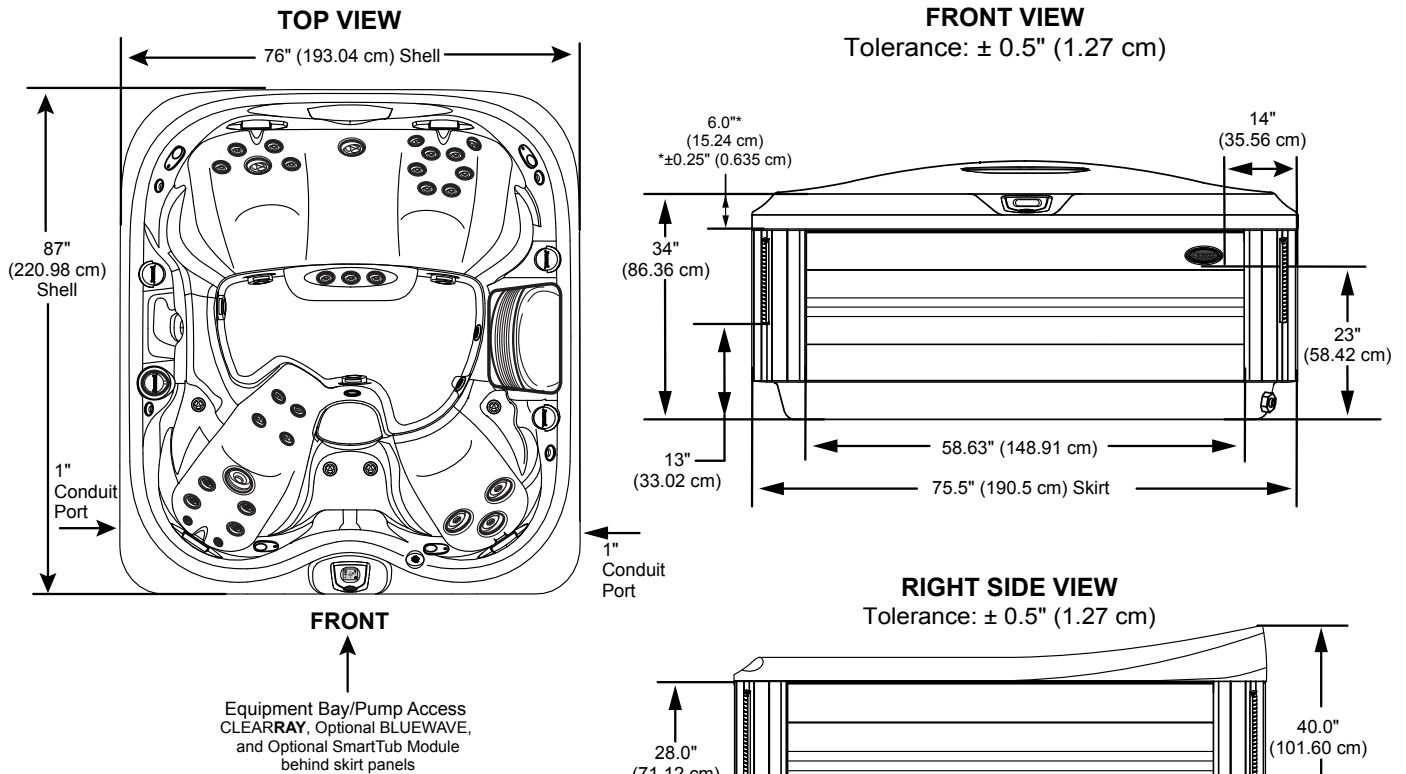
Listed dimensions represent distance from top of acrylic to lowest point in seat.
Tolerance ± 0.5" (1.27 cm).



Dimensions/Specifications are Subject to Change Without Notice

Jacuzzi J-425

Dimensions

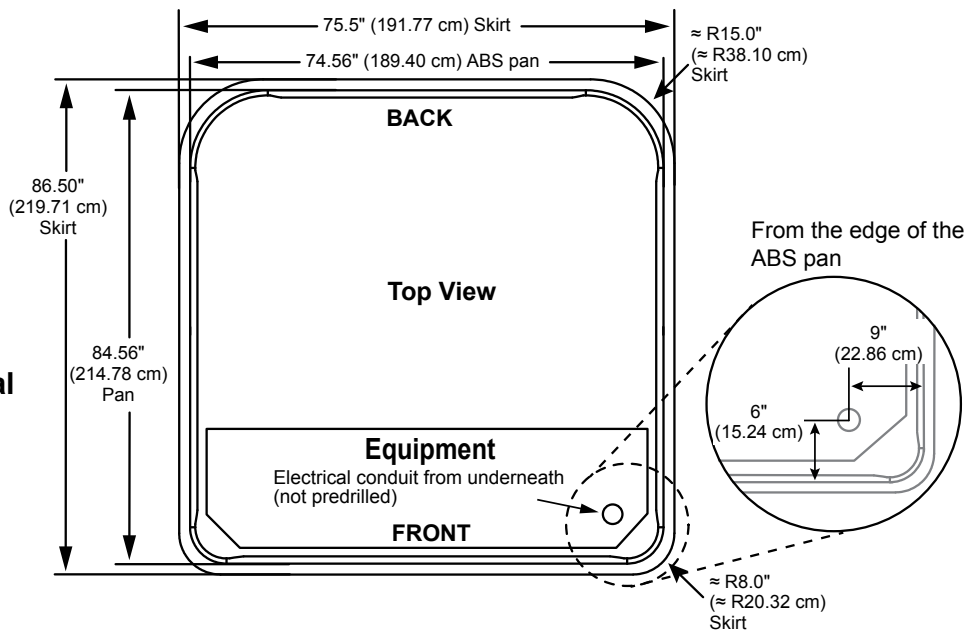


Important Panel Details

NOTE: Over time the panel(s) may bow, this is considered normal. The panels will straighten out when reinstalled into the mounting channel. Place one end of the panel into the channel first then flatten the panel and insert the other end.



IMPORTANT!
Always measure each hot tub for exact dimensions **BEFORE** designing its foundational support and/or decking.



Dimensions/specifications subject to change without notice. Tolerance $\pm 0.5"$ (1.27 cm)

Jacuzzi J-LXL

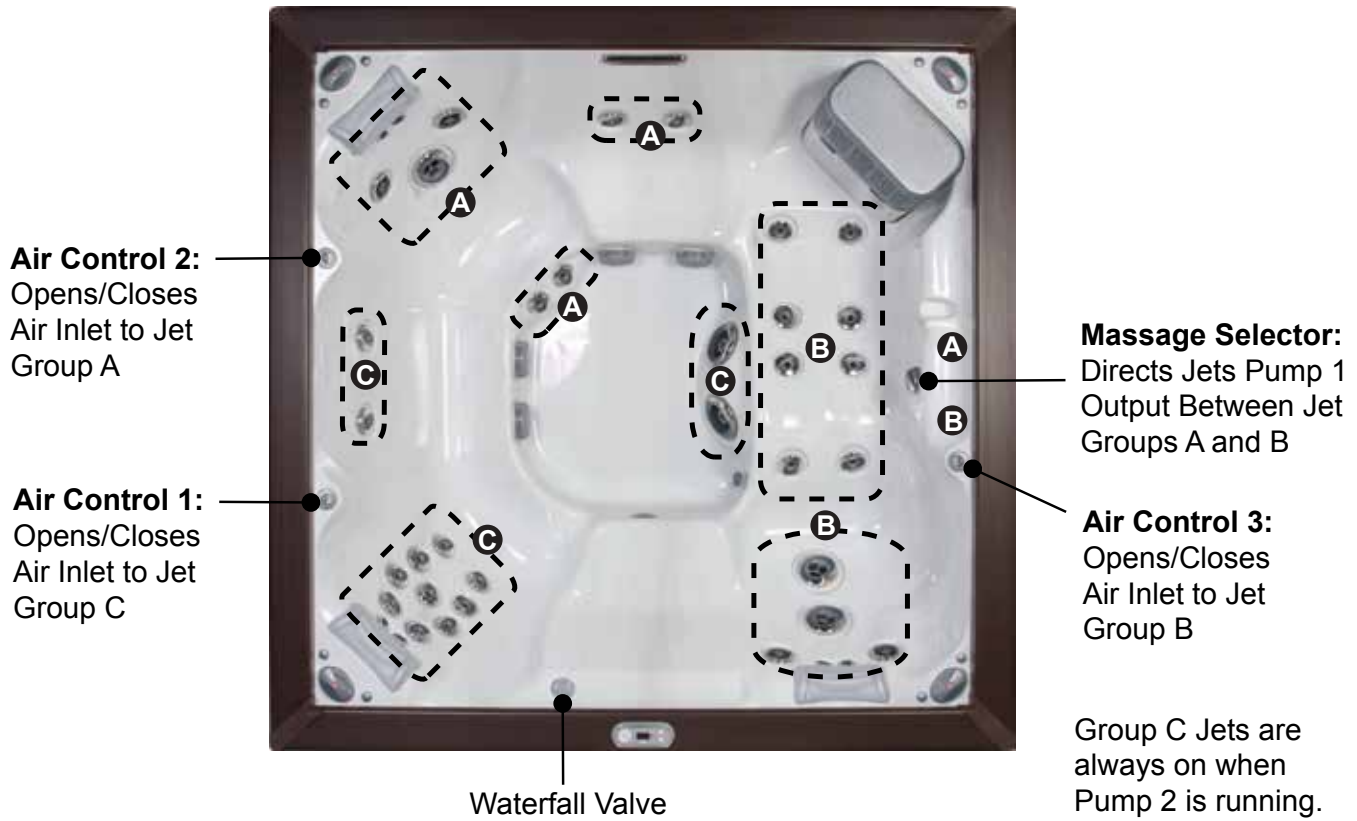
Specifications

Seating Capacity	5-6
Dimensions	84" x 84" x 36" (213.5 cm x 213.5 cm x 91.5 cm); For complete dimensions, see page 96
Dry Weight	896 lbs (406 kg)
Filled Weight (Spa Volume)	5,066 (2,298 kg)
Filled Weight (Average Fill)	4,149 lbs (1,882 kg)
Water Capacity (Spa Volume)	500 US gallons (1,893 Liters)
Water Capacity (Average Fill)	390 US gallons (1,476 Liters)
Electronic Controls	Solid state electronic controls with LED readout, programmable temperature, filtration, and heat cycles
Pump 1	North America (60 Hz): 2-Speed, 4.5 HP brake, 2.5 HP continuous, 56 Frame Export (50 Hz):2-Speed, 2.0 HP continuous
Pump 2	North America (60 Hz): 1-Speed, 4.8 HP brake, 2.5 HP continuous, 56 Frame Export (50 Hz):1-Speed, 2.0 HP continuous
Circulation Pump	Yes, 8-hour
Total PowerPro® Jets	38
Seat A Jets	2 PowerPro® NX2, 9 PowerPro® FX
Seat B Jets	2 PowerPro® FX
Seat C Jets	2 PowerPro® NX2, 2 PowerPro® RX, 1 PowerPro® FX Large Rotational, 2 PowerPro® FX
Seat D Jets	2 PowerPro® FX
Seat E Jets	2 PowerPro® NX2, 2 PowerPro® RX, 2 PowerPro® FX Large Rotational, 8 PowerPro® FX
Footwell (F)	2 PowerPro® MX
Massage Selector	1
Air Controls	3, On/Off rocker switch air controller
Water Management System	Two 60 ft ² Filter cartridges; filter 1 on 8-hour circulation pump; filter 2 on jets pump 1; Factory installed CLEARRAY® Water Purification System Export (50 Hz):Factory installed CLEARRAY® Water Purification System
LED Lighting	One underwater light with 4 color modes, one colored waterfall light, eight dome lights
Cabinet	Roasted Chestnut, Brazilian Teak
Acrylic Colors	Platinum, Silver Pearl, Sahara, Opal, Desert Sand, Monaco, Midnight, Caribbean Surf, Sandstone, Porcelain
Headrests	3
Waterfalls	One; Independent flow rate (on or off) adjustment powered by pump 1
Electrical Requirements:	North America (60 Hz): 240 VAC@40A, 50A, or 60A Export (50 Hz): 230-240 VAC@20A, 30A, or 40A, or suitably rated circuit breaker to comply with local electrical codes. Certain countries may require dual power inputs; two GFCI RCD breakers are required for this configuration.
Warranty*	North America (60 Hz): 10 Years Shell, 7 Years Shell Surface, 5 Years Plumbing Component Leaks, 5 Years Equipment and Controls, 5 Years Cabinet, 2 Years Jets, 2 Years Lights, 1 Year Stereo; Export (50 Hz): 10 Years Shell, 7 Years Shell Surface, 5 Years Plumbing Component Leaks, 5 Years Equipment and Controls, 5 Years Cabinet, 2 Years Jets, 2 Years Lights, 2 Years Stereo
Audio System (Optional)	BLUEWAVE® Spa Stereo System (Bluetooth/Aux compatible) with four speakers, auxiliary headphone jack, and standard wireless RF remote

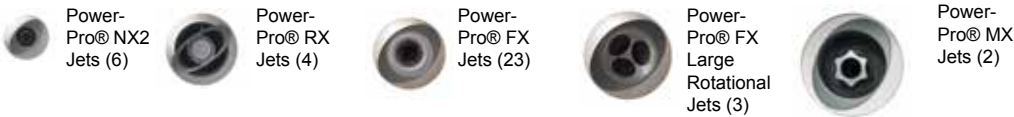


Jacuzzi J-LXL

Massage Selector/Air Control Diagram



38 Total Jets



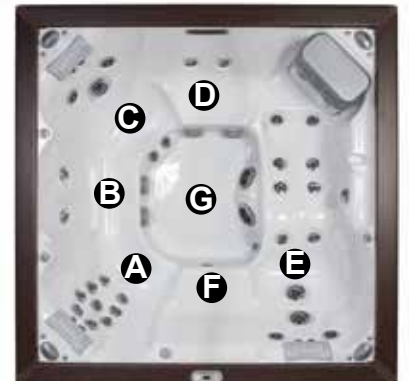
Spa Operation Subject to Change without Notice

Seat Depths

A = 29.75" (75.57 cm)
B = 27.75" (70.49 cm)
C = 29.25" (74.29 cm)
D = 23.25" (59.06 cm)
E = 27.75" (70.49 cm)

F = 21.00" (53.34 cm)
G = 33.25" (84.46 cm)

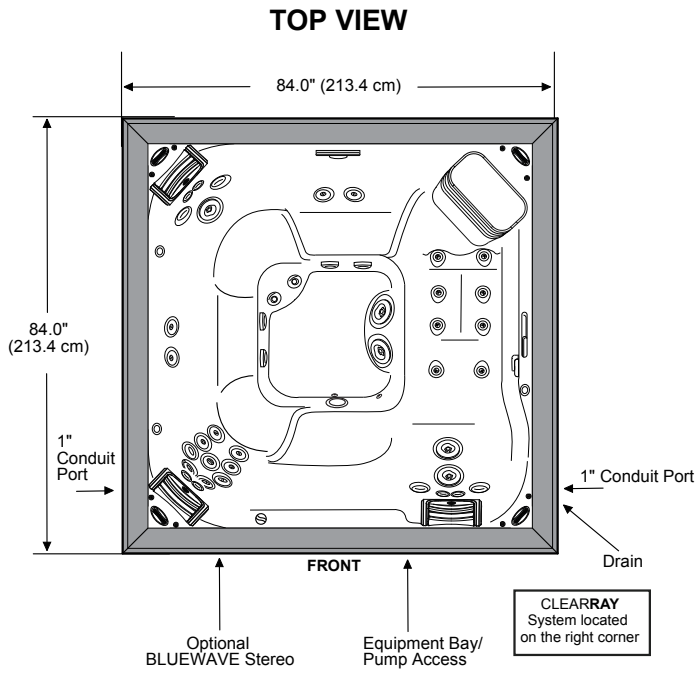
Listed dimensions represent distance from top of the deck to lowest point in seat. Tolerance $\pm 0.5"$ (1.27 cm).



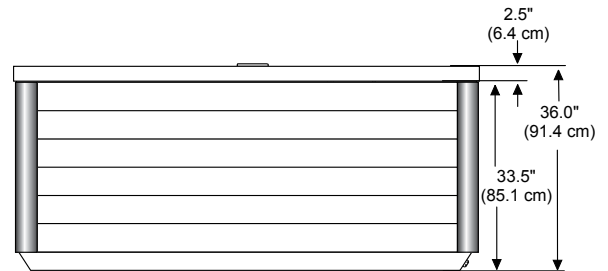
Dimensions/Specifications are Subject to Change Without Notice

Jacuzzi J-LXL

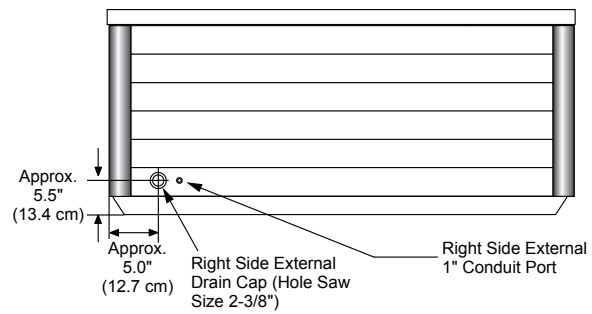
Dimensions



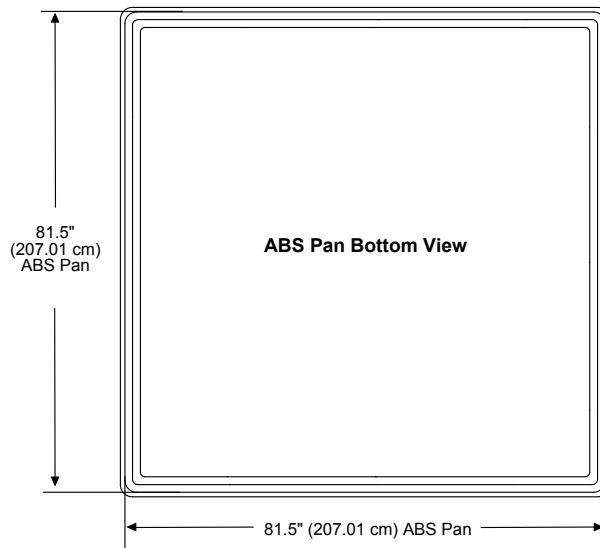
FRONT/BACK SIDE VIEW
(Front view of stereo option shown)



RIGHT SIDE VIEW



IMPORTANT! Always measure each hot tub for exact dimensions BEFORE designing its foundational support and/or decking.

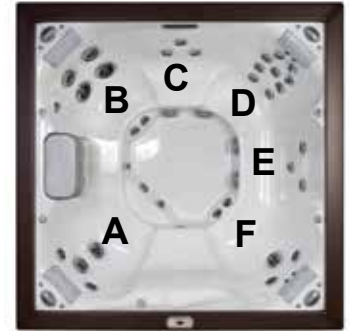


Dimensions/specifications subject to change without notice. Tolerance $\pm 0.5"$ (1.27 cm)

Jacuzzi J-LX

Specifications

Seating Capacity	6-7
Dimensions	84" x 84" x 36" (213.5 cm x 213.5 cm x 91.5 cm); For complete dimensions, see page 96
Dry Weight	876 lbs (397 kg)
Filled Weight (Spa Volume)	5,046 lbs (2,289 kg)
Filled Weight (Average Fill)	4,129 lbs (1,873 kg)
Water Capacity (Spa Volume)	500 US gallons (1,893 Liters)
Water Capacity (Average Fill)	390 US gallons (1,476 Liters)
Electronic Controls	Solid state electronic controls with LED readout, programmable temperature, filtration, and heat cycles
Pump 1	North America (60 Hz): 2-Speed, 4.5 HP brake, 2.5 HP continuous, 56 Frame Export (50 Hz):2-Speed, 2.0 HP continuous
Pump 2	North America (60 Hz): 1-Speed, 4.8 HP brake, 2.5 HP continuous, 56 Frame Export (50 Hz):1-Speed, 2.0 HP continuous
Circulation Pump	Yes, 8-hour
Total PowerPro® Jets	36
Seat A Jets	2 PowerPro® RX, 2 PowerPro® FX Large Rotational, 2 PowerPro® FX
Seat B Jets	2 PowerPro® FX Large Rotational, 2 PowerPro® MX, 2 PowerPro® FX
Seat C Jets	3 PowerPro® FX
Seat D Jets	2 PowerPro® NX2, 9 PowerPro® FX
Seat E Jets	3 PowerPro® FX
Seat F Jets	2 PowerPro® NX2, 2 PowerPro® RX, 1 PowerPro® FX Large Rotational, 2 PowerPro® FX
Massage Selector	1
Air Controls	4, On/Off rocker switch air controller
Water Management System	Two 60 ft ² Filter cartridges; filter 1 on 8-hour circulation pump; filter 2 on jets pump 1; Factory installed CLEARRAY® Water Purification System Export (50 Hz):Factory installed CLEARRAY® Water Purification System
LED Lighting	One underwater light with 4 color modes, one colored waterfall light, eight dome lights
Cabinet	Roasted Chestnut, Brazilian Teak
Acrylic Colors	Platinum, Silver Pearl, Sahara, Opal, Desert Sand, Monaco, Midnight, Caribbean Surf, Sandstone, Porcelain
Headrests	4
Waterfalls	One; Independent flow rate (on or off) adjustment powered by pump 1
Electrical Requirements:	North America (60 Hz): 240 VAC@40A, 50A, or 60A Export (50 Hz): 230-240 VAC@20A, 30A, or 40A, or suitably rated circuit breaker to comply with local electrical codes. Certain countries may require dual power inputs; two GFCI RCD breakers are required for this configuration.
Warranty*	North America (60 Hz): 10 Years Shell, 7 Years Shell Surface, 5 Years for Plumbing Component Leaks, 5 Years Equipment and Controls, 5 Years Cabinet, 2 Years Jets, 2 Years Lights, 1 Year Stereo; Export (50 Hz): 10 Years Shell, 7 Years Shell Surface, 5 Years Plumbing Component Leaks, 5 Years Equipment and Controls, 5 Years Cabinet, 2 Years Jets, 2 Years Lights, 2 Years Stereo
Audio System (Optional)	BLUEWAVE® Spa Stereo System (Bluetooth/Aux compatible) with four speakers, auxiliary headphone jack, and standard wireless RF remote



*(See Warranty Document for Specific Details)

Dimensions/Specifications are Subject to Change Without Notice

Jacuzzi J-LX

Massage Selector/Air Control Diagram

Massage Selector 1:
Directs Jets Pump 1
Output Between Jet
Groups A and B

Air Control 2:
Opens/Closes
Air Inlet to Jet
Group A

Air Control 1:
Opens/Closes
Air Inlet to Jet
Group C



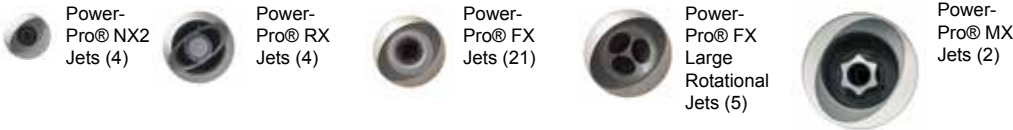
Air Control 3:
Opens/Closes
Air Inlet to Jet
Group B

Air Control 4:
Opens/Closes
Air Inlet to Jet
Group D

Waterfall Valve

Group C and D Jets
are always on Pump 2
is running.

36 Total Jets



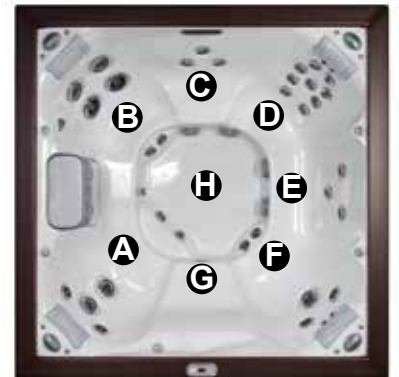
Spa Operation Subject to Change without Notice

Seat Depths

A = 28.50" (72.39 cm)
B = 28.50" (72.39 cm)
C = 23.50" (59.69 cm)
D = 29.50" (74.93 cm)
E = 28.00" (71.12 cm)

F = 29.25" (74.29 cm)
G = 20.50" (52.07 cm)
H = 33.25" (84.45 cm)

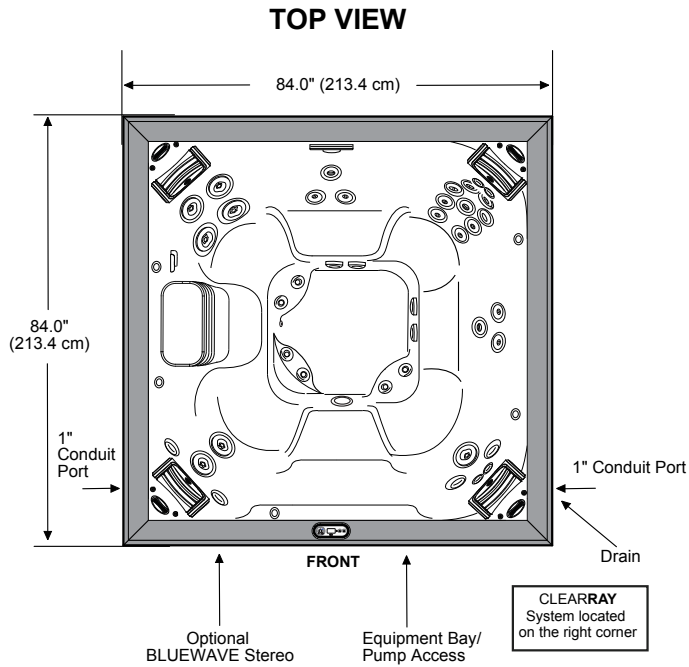
Listed dimensions
represent distance
from top of the deck
to lowest point in seat.
Tolerance $\pm 0.5"$
(1.27 cm).



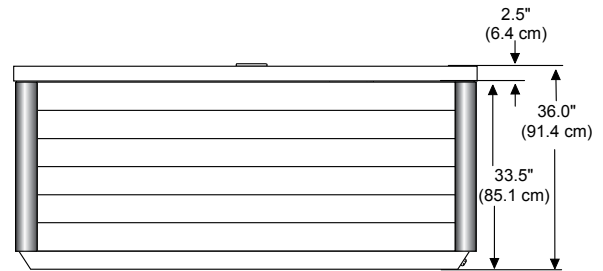
Dimensions/Specifications are Subject to Change Without Notice

Jacuzzi J-LX

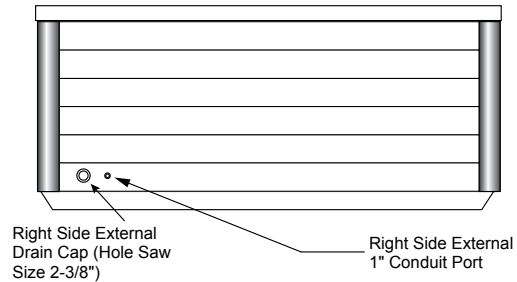
Dimensions



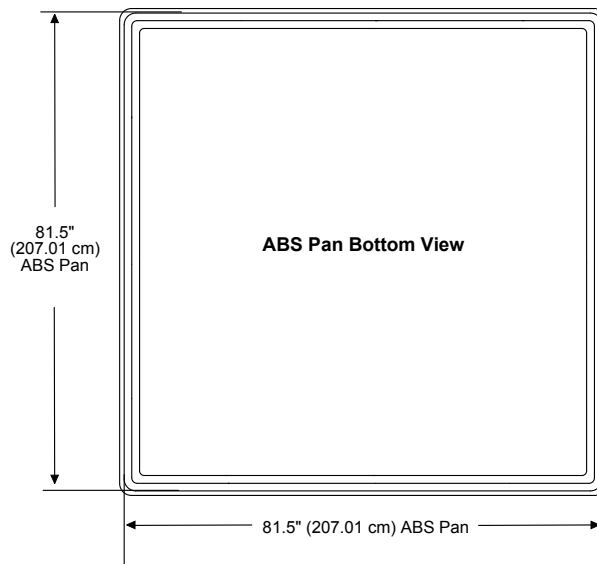
FRONT/BACK SIDE VIEW
(Front view of stereo option shown)



RIGHT SIDE VIEW



IMPORTANT! Always measure each hot tub for exact dimensions BEFORE designing its foundational support and/or decking.



Dimensions/specifications subject to change without notice. Tolerance $\pm 0.5"$ (1.27 cm)

Jacuzzi J-385

Specifications

Seating Capacity	6-7
Dimensions	91" x 91" x 38" (231 cm x 231 cm x 96.5 cm); For complete dimensions, see page 97
Dry Weight	850 lbs (386 kg)
Filled Weight (Spa Volume)	5,771 lbs (2,618 kg)
Filled Weight (Average Fill)	4,686 lbs (2,126 kg)
Water Capacity (Spa Volume)	590 US gallons (2,233 Liters)
Water Capacity (Average Fill)	460 US gallons (1,741 Liters)
Electronic Controls	Solid state electronic controls with LCD readout, programmable temperature, filtration, and heat cycles
Pump 1	North America (60 Hz): 1-Speed, 4.8 HP brake, 2.5 HP continuous, 56 Frame Export (50 Hz): 1-Speed, 2.0 HP continuous
Pump 2	North America (60 Hz): 1-Speed, 4.8 HP brake, 2.5 HP continuous, 56 Frame Export (50 Hz): 1-Speed, 2.0 HP continuous
Circulation Pump	Yes, 8-hour
Heater	North America (60 Hz): 5.5kW High Flow Export (50 Hz) 2.7kW High Flow
Total PowerPro® Jets	51
Seat A Jets	4 PowerPro® FX, 2 PowerPro® FX Large Rotational
Seat B Jets	1 PowerPro® FX Rotational, 2 PowerPro® FX Large
Seat C Jets	2 PowerPro® NX2, 2 PowerPro® FX Rotational, 4 PowerPro® FX, 2 PowerPro® FX Large
Seat D Jets	2 PowerPro® FX Large Rotational
Seat E Jets	10 PowerPro® FX, 2 PowerPro® FX Rotational, 2 PowerPro® BX
Seat E HYDROSOOTHE™ Jets	2 PowerPro® FX Directional with independent flow rate valve
Seat F Jets	2 PowerPro® NX2, 3 PowerPro® MX
Footwell (G)	8 PowerPro® FX Small, 1 PowerPro® FX
Massage Selectors	2
Air Controls	4, On/Off rocker switch air controller
Water Management System	Two 60 ft² Filter cartridges; filter 1 on 8-hour circulation pump; filter 2 on jets pump 1; Factory installed CLEARRAY® Water Purification System Export (50 Hz): Factory installed CLEARRAY® Water Purification System
LED Lighting	One underwater prolite with 4 color modes, one colored waterfall light, cup holders, 2 HYDROSOOTHE pillow lights, and OPTIONAL exterior lights
ProFinish™ Cabinet Colors	Modern Hardwood, Brushed Gray, and Smoked Ebony
Acrylic Colors	Platinum, Silver Pearl, Sahara, Opal, Desert, Monaco, Midnight, Caribbean Surf, Sandstone, Porcelain
Headrests	4
Waterfalls	One independent flow rate (on or off) adjustment; powered by the circulation pump
Electrical Requirements:	North America (60 Hz): 240 VAC@40A, 50A, or 60A Export (50 Hz): 230-240 VAC@1x32A, 1x20A/1x16A, 3x16A or suitably rated circuit breaker to comply with local electrical codes. Certain countries may require dual power inputs; two GFCI RCD breakers are required for this configuration.
Warranty*	North America (60 Hz): 10 Years Shell, 7 Years Shell Surface, 5 Years for Plumbing Component Leaks, 5 Years Equipment and Controls, 5 Years Cabinet, 2 Years Jets, 2 Years Lights, 1 Year Stereo; Export (50 Hz): 10 Years Shell, 7 Years Shell Surface, 5 Years Plumbing Component Leaks, 5 Years Equipment and Controls, 5 Years Cabinet, 2 Years Jets, 2 Years Lights, 2 Years Stereo
Special Features (Optional)	SmartTub™ Module, Exterior Lights
Audio System (Optional)	BLUEWAVE® Spa Stereo System (Bluetooth/Aux compatible) with four speakers and a subwoofer; standard wireless RF remote

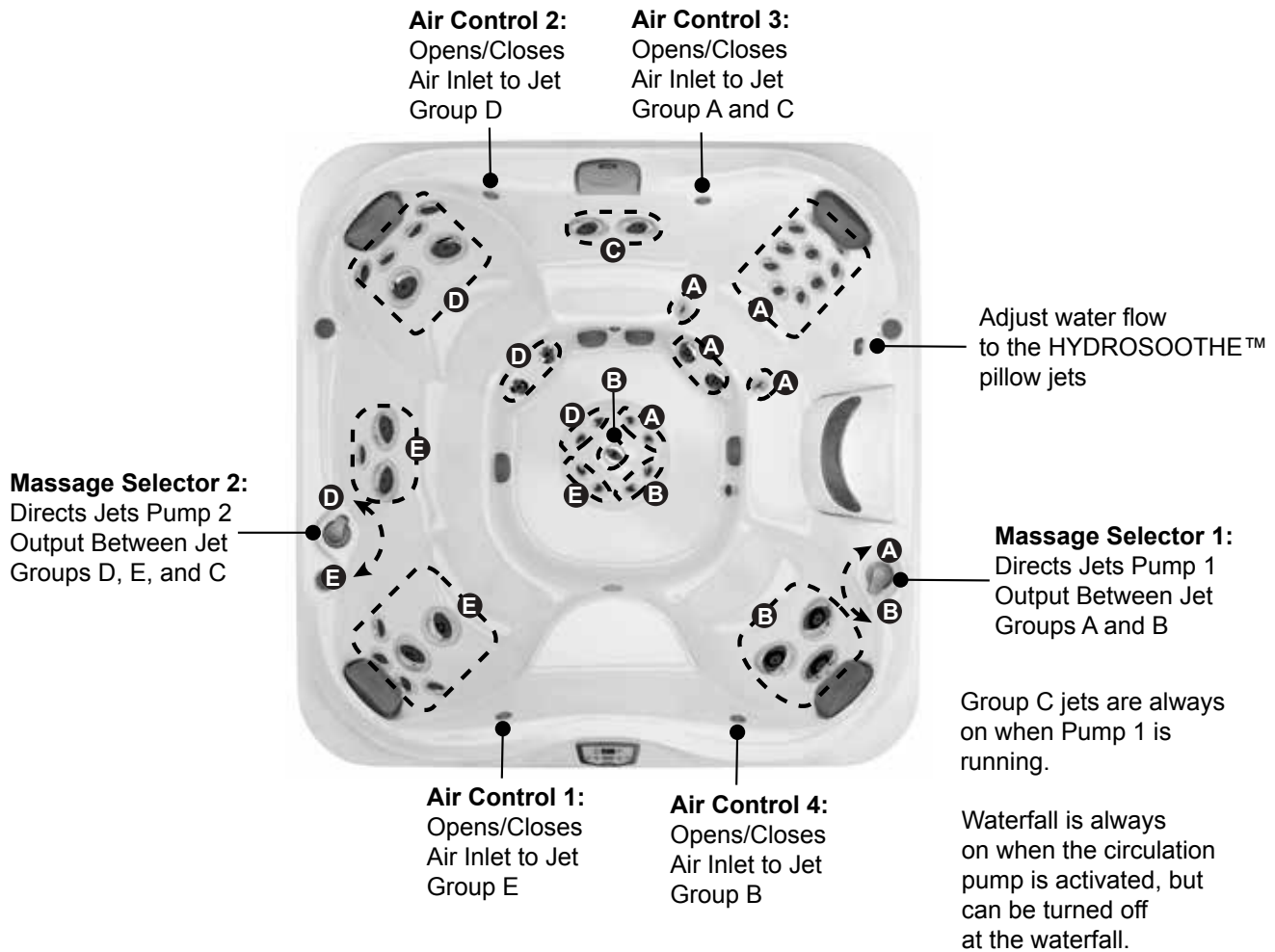


*(See Warranty Document for Specific Details)

Dimensions/Specifications are Subject to Change Without Notice

Jacuzzi J-385

Massage Selector/Air Control Diagram



51 Total Jets



Seat Depths

A = 26.50" (67.31 cm)
B = 25.00" (63.50 cm)
C = 26.75" (67.95 cm)
D = 23.25" (59.06 cm)
E = 28.25" (71.76 cm)

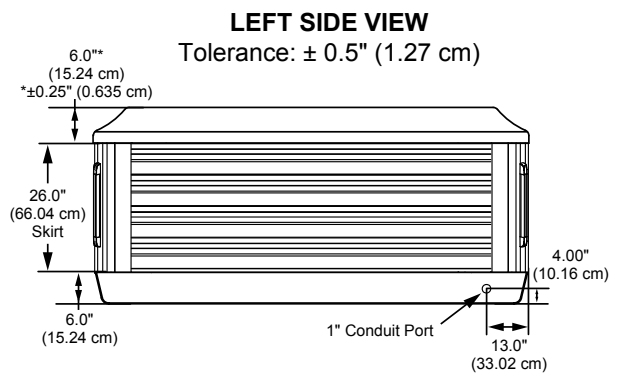
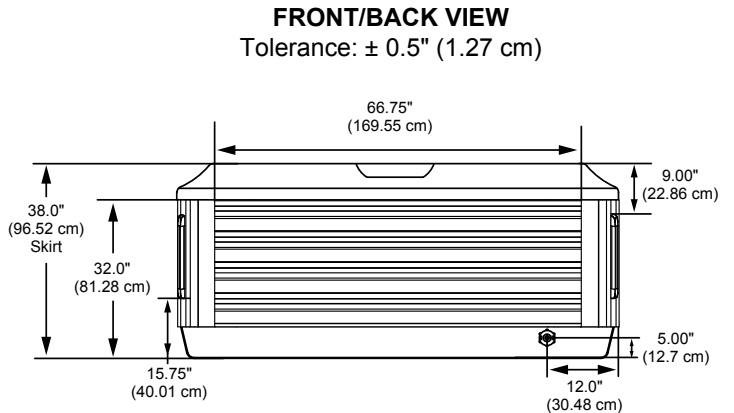
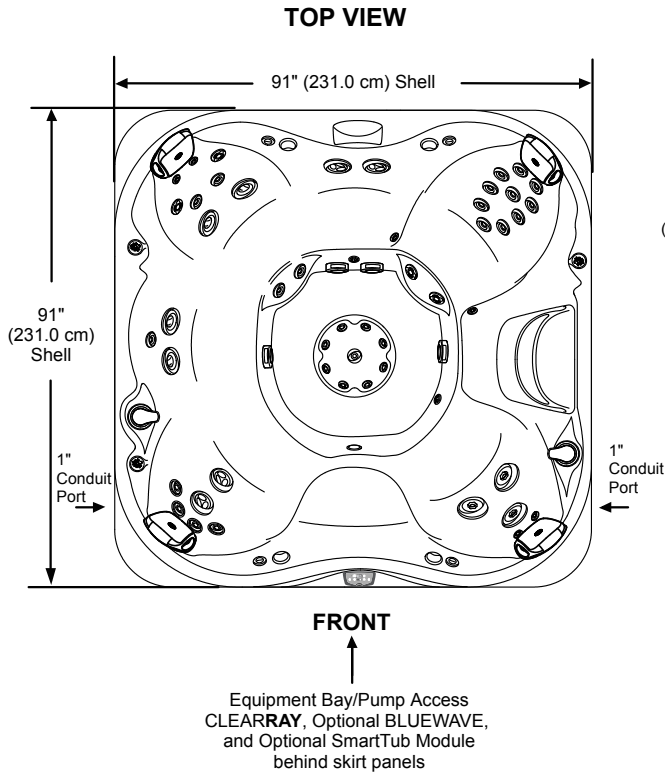
F = 27.13" (68.90 cm)
G = 17.00" (43.18 cm)
H = 33.25" (84.46 cm)

Listed dimensions represent distance from top of acrylic to lowest point in seat. Tolerance $\pm 0.5"$ (1.27 cm).

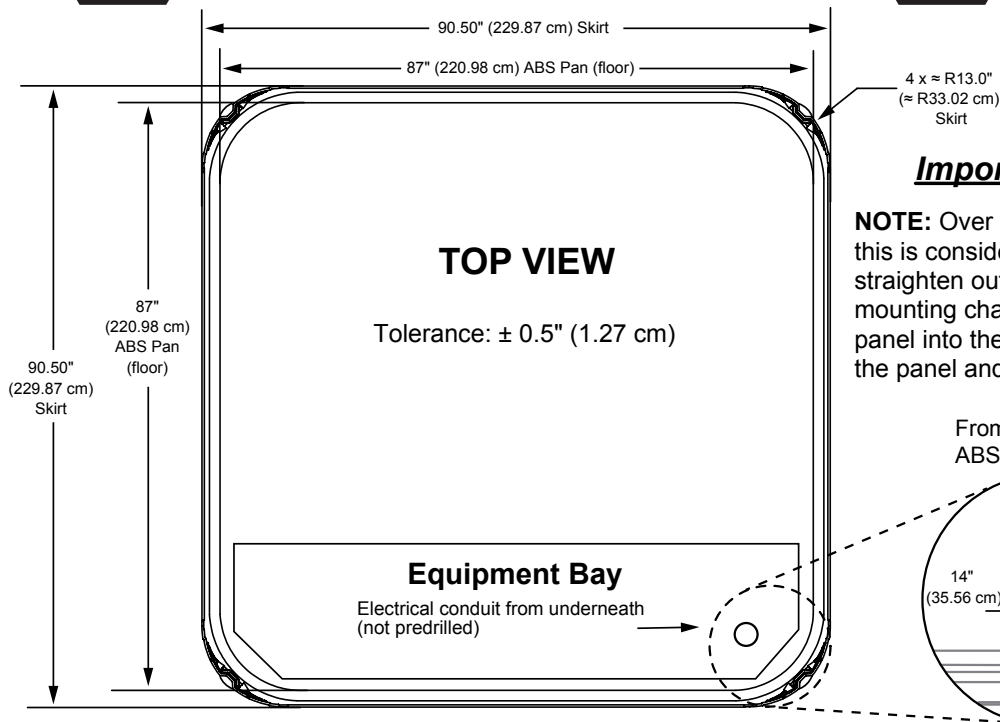


Jacuzzi J-385

Dimensions



IMPORTANT! Always measure each hot tub for exact dimensions **BEFORE** designing its foundational support and/or decking.



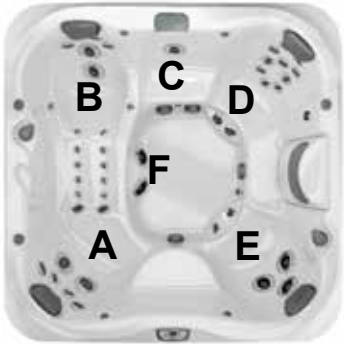
Important Panel Details

NOTE: Over time the panel(s) may bow, this is considered normal. The panels will straighten out when reinstalled into the mounting channel. Place one end of the panel into the channel first then flatten the panel and insert the other end.

Dimensions/specifications subject to change without notice. Tolerance $\pm 0.5"$ (1.27 cm)

Jacuzzi J-375

Specifications

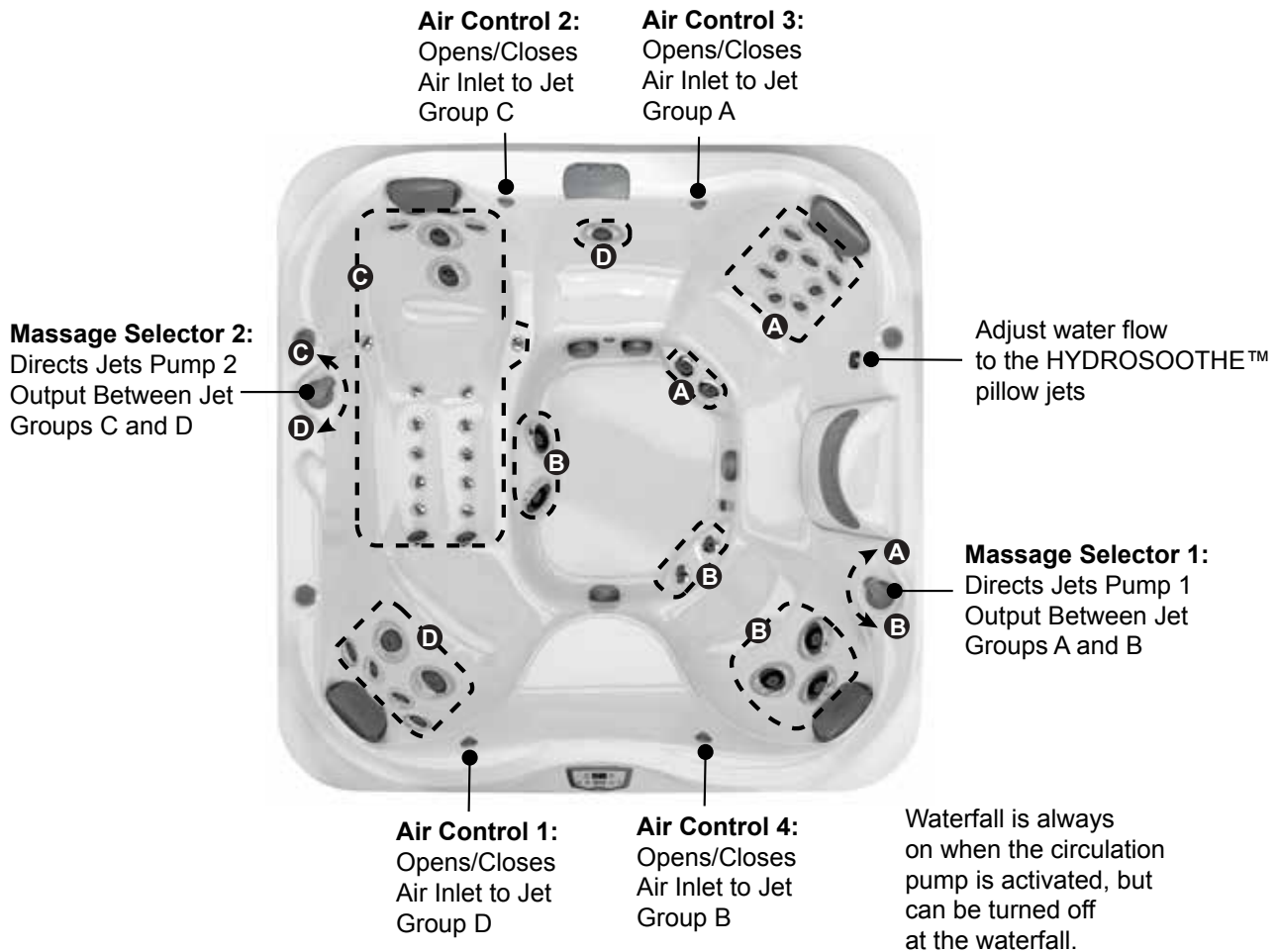
Seating Capacity	5-6 Adults	
Dimensions	91" x 91" x 38" (231 cm x 231 cm x 96.5 cm); For complete dimensions, see page 97	
Dry Weight	830 lbs (376 kg)	
Filled Weight (Spa Volume)	5,667 lbs (2,571 kg)	
Filled Weight (Average Fill)	4,541 lbs (2,060 kg)	
Water Capacity (Spa Volume)	580 US gallons (2,196 Liters)	
Water Capacity (Average Fill)	445 US gallons (1,685 Liters)	
Electronic Controls	Solid state electronic controls with LCD readout, programmable temperature, filtration, and heat cycles	
Pump 1	North America (60 Hz): 1-Speed, 4.8 HP brake, 2.5 HP continuous, 56 Frame Export (50 Hz): 1-Speed, 2.0 HP continuous	
Pump 2	North America (60 Hz): 1-Speed, 4.8 HP brake, 2.5 HP continuous, 56 Frame Export (50 Hz): 1-Speed, 2.0 HP continuous	
Circulation Pump	Yes, 8-hour	
Heater	North America (60 Hz): 5.5kW High Flow Export (50 Hz) 2.7kW High Flow	
Total PowerPro® Jets	52	
Seat A Jets	2 PowerPro® NX2, 2 PowerPro® FX Large, 2 PowerPro® FX Rotational, 2 PowerPro® FX	
Seat B Jets	4 PowerPro® FX, 2 PowerPro® FX Large Rotational, 12 PowerPro® BX, 2 PowerPro® FX Rotational	
Seat C Jets	1 PowerPro® FX Large Rotational	
Seat D Jets	10 PowerPro® FX, 2 PowerPro® FX Rotational	
Seat D HYDROSOOTHE™ Jets	2 PowerPro® FX Directional with independent flow rate valve	
Seat E Jets	2 PowerPro® NX2, 3 PowerPro® MX, 2 PowerPro® FX	
Footwell (F)	2 PowerPro® MX	
Massage Selectors	2	
Air Controls	4, On/Off rocker switch air controller	
Water Management System	Two 60 ft ² Filter cartridges; filter 1 on 8-hour circulation pump; filter 2 on jets pump 1; Factory installed CLEARRAY® Water Purification System Export (50 Hz): Factory installed CLEARRAY® Water Purification System	
LED Lighting	One underwater prolite with 4 color modes, one colored waterfall light, cup holders, 2 HYDROSOOTHE pillow lights, and OPTIONAL exterior lights	
ProFinish™ Cabinet Colors	Modern Hardwood, Brushed Gray, and Smoked Ebony	
Acrylic Colors	Platinum, Silver Pearl, Sahara, Opal, Desert Sand, Monaco, Midnight, Caribbean Surf, Sandstone, Porcelain	
Headrests	4	
Waterfalls	One independent flow rate (on or off) adjustment; powered by the circulation pump	
Electrical Requirements:	North America (60 Hz): 240 VAC@40A, 50A, or 60A Export (50 Hz): 230-240 VAC@1x32A, 1x20A/1x16A, 3x16A, or suitably rated circuit breaker to comply with local electrical codes. Certain countries may require dual power inputs; two GFCI RCD breakers are required for this configuration.	
Warranty*	North America (60 Hz): 10 Years Shell, 7 Years Shell Surface, 5 Years for Plumbing Component Leaks, 5 Years Equipment and Controls, 5 Years Cabinet, 2 Years Jets, 2 Years Lights, 1 Year Stereo; Export (50 Hz): 10 Years Shell, 7 Years Shell Surface, 5 Years Plumbing Component Leaks, 5 Years Equipment and Controls, 5 Years Cabinet, 2 Years Jets, 2 Years Lights, 2 Years Stereo	
Special Features (Optional)	SmartTub™ Module, Exterior Lights	
Audio System (Optional)	BLUEWAVE® Spa Stereo System (Bluetooth/Aux compatible) with four speakers and subwoofer; standard wireless RF remote	

*(See Warranty Document for Specific Details)

Dimensions/Specifications are Subject to Change Without Notice

Jacuzzi J-375

Massage Selector/Air Control Diagram



52 Total Jets



Spa Operation Subject to Change without Notice

Seat Depths

A = 26.50" (67.31 cm)
B = 27.50" (69.85 cm)
C = 23.50" (59.69 cm)
D = 28.25" (71.76 cm)
E = 27.25" (69.22 cm)

F = 17.00" (43.18 cm)
G = 34.00" (86.36 cm)

Listed dimensions
represent distance
from top of acrylic to
lowest point in seat.
Tolerance $\pm 0.5"$
(1.27 cm).

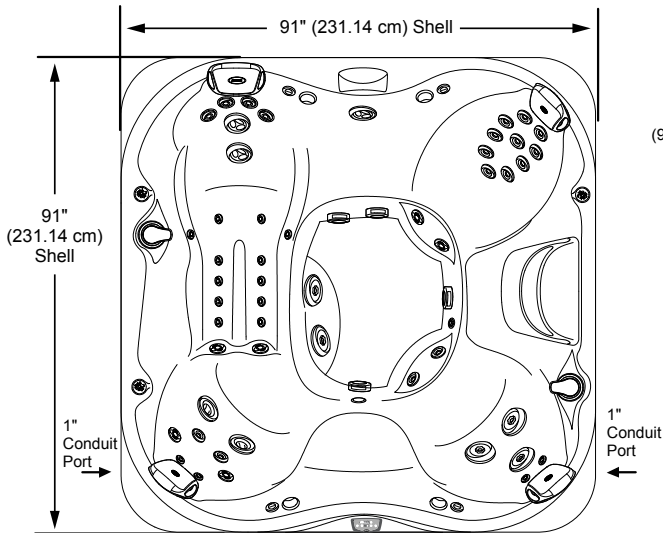


Dimensions/Specifications are Subject to Change Without Notice

Jacuzzi J-375

Dimensions

TOP VIEW

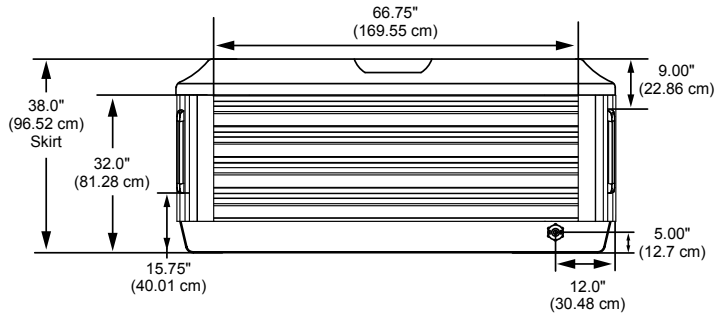


FRONT

Equipment Bay/Pump Access
CLEARARRAY, Optional BLUEWAVE,
and Optional SmartTub Module
behind skirt panels

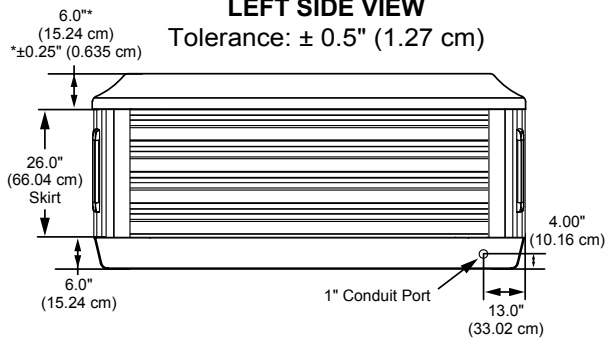
FRONT/BACK VIEW

Tolerance: $\pm 0.5"$ (1.27 cm)

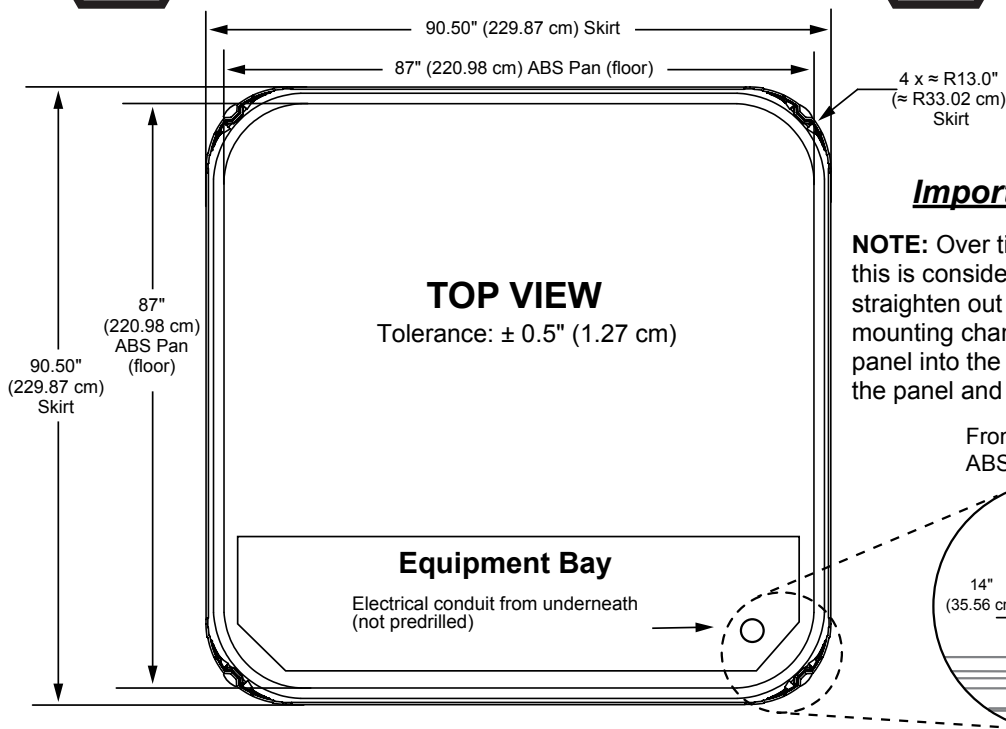


LEFT SIDE VIEW

Tolerance: $\pm 0.5"$ (1.27 cm)



IMPORTANT! Always measure each hot tub for exact dimensions BEFORE designing its foundational support and/or decking.



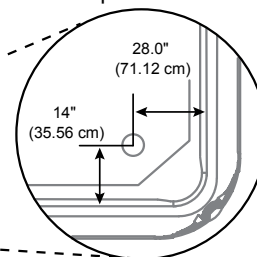
TOP VIEW

Tolerance: $\pm 0.5"$ (1.27 cm)

Important Panel Details

NOTE: Over time the panel(s) may bow, this is considered normal. The panels will straighten out when reinstalled into the mounting channel. Place one end of the panel into the channel first then flatten the panel and insert the other end.

From the edge of the
ABS pan



Dimensions/specifications subject to change without notice. Tolerance $\pm 0.5"$ (1.27 cm)

Jacuzzi J-365

Specifications

Seating Capacity	6-7 Adults
Dimensions	84" x 91" x 38" (213.5 cm x 231 cm x 96.5 cm); For Complete Dimensions, See page 97
Dry Weight	805 lbs (365 kg)
Filled Weight (Spa Volume)	4,975 lbs (2,257 kg)
Filled Weight (Average Fill)	4,099 lbs (1,859 kg)
Water Capacity (Spa Volume)	500 US gallons (1,893 Liters)
Water Capacity (Average Fill)	395 US gallons (1,495 Liters)
Electronic Controls	Solid state electronic controls with LCD readout, programmable temperature, filtration, and heat cycles
Pump 1	North America (60 Hz): 1-Speed, 4.8 HP brake, 2.5 HP continuous, 56 Frame Export (50 Hz): 1-Speed, 2.0 HP continuous
Pump 2	North America (60 Hz): 1-Speed, 4.8 HP brake, 2.5 HP continuous, 56 Frame Export (50 Hz): 1-Speed, 2.0 HP continuous
Circulation Pump	Yes, 8-Hour
Heater	North America (60 Hz): 5.5kW High Flow Export (50 Hz) 2.7kW High Flow
Total PowerPro® Jets	46
Seat A Jets	4 PowerPro® FX, 2 PowerPro® FX Large Rotational
Seat B Jets	1 PowerPro® FX Large
Seat C Jets	2 PowerPro® NX2, 2 PowerPro® FX, 3 PowerPro® MX
Seat D Jets	1 PowerPro® FX Large Rotational
Seat E Jets	10 PowerPro® FX, 2 PowerPro® FX Rotational
Seat E HYDROSOOTHE™ Jets	2 PowerPro® FX Directional with independent flow rate valve
Seat F Jets	2 PowerPro® NX2, 2 PowerPro® FX Rotational, 2 PowerPro® FX, 2 PowerPro® FX Large
Footwell (G)	8 PowerPro® FX Small, 1 PowerPro® FX
Massage Selectors	2
Air Controls	4, On/Off rocker style
Water Management System	Two 60 ft ² filter cartridges; filter 1 on 8-hour circulation pump; filter 2 on jets pump 1; Factory installed CLEARRAY® Water Purification System Export (50 Hz): Factory installed CLEARRAY® Water Purification System
LED Lighting	One underwater light with 4 color modes, one colored waterfall light, cup holders, 2 HYDROSOOTHE pillow lights, and OPTIONAL exterior light
ProFinish™ Cabinet Colors	Modern Hardwood, Brushed Gray, and Smoked Ebony
Acrylic Colors	Platinum, Silver Pearl, Sahara, Opal, Desert Sand, Monaco, Midnight, Caribbean Surf, Sandstone, Porcelain
Headrests	4
Waterfalls	One independent flow rate (on or off) adjustment; powered by the circulation pump
Electrical Requirements:	North America (60 Hz): 240 VAC@40A, 50A, or 60A Export (50 Hz): 230-240 VAC@1x32A, 1x20A/1x16A, 3x16A, or suitably rated circuit breaker to comply with local electrical codes. Certain countries may require dual power inputs; two GFCI RCD Breakers are required for this configuration.
Warranty*	North America (60 Hz): 10 Years Shell, 7 Years Shell Surface, 5 Years Plumbing Component Leaks, 5 Years Equipment and Controls, 5 Years Cabinet, 2 Years Jets, 2 Years Lights, 1 Year Stereo; Export (50 Hz): 10 Years Shell, 7 Years Shell Surface, 5 Years Plumbing Component Leaks, 5 Years Equipment and Controls, 5 Years Cabinet, 2 Years Jets, 2 Years Lights, 2 Years Stereo
Special Features (Optional)	SmartTub™ Module, Exterior Lights
Audio System (Optional)	BLUEWAVE® Spa Stereo System (Bluetooth/Aux compatible) with four speakers and subwoofer; standard wireless RF remote

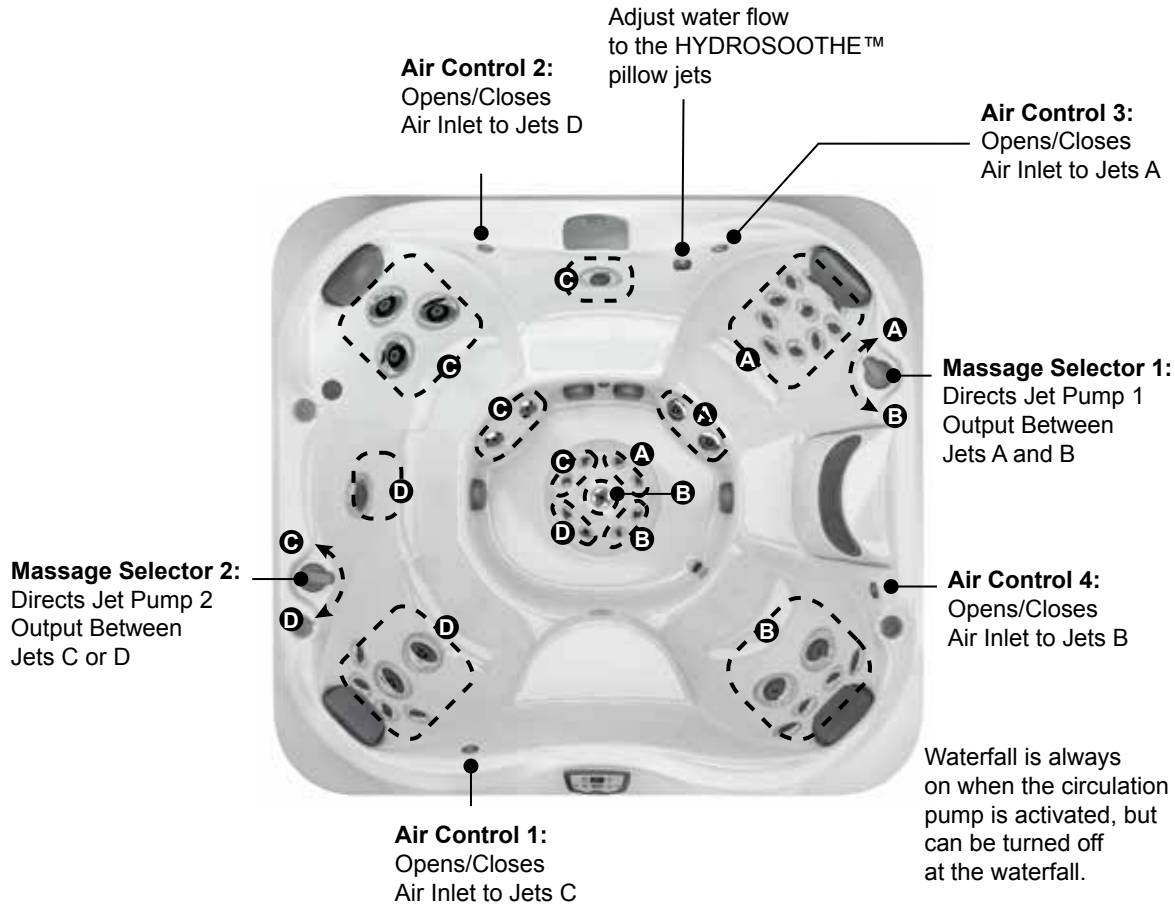


*(See Warranty Document for Specific Details)

Dimensions/Specifications are Subject to Change Without Notice

Jacuzzi J-365

Massage Selector/Air Control Diagram



46 Total Jets



Spa Operation Subject to Change without Notice

Seat Depths

A = 26.50" (67.47 cm)
B = 25.25" (64.14 cm)
C = 25.25" (64.14 cm)
D = 23.75" (60.33 cm)
E = 28.25" (71.76 cm)

F = 27.25" (69.22 cm)
G = 17.50" (44.45 cm)
H = 33.75" (85.73 cm)

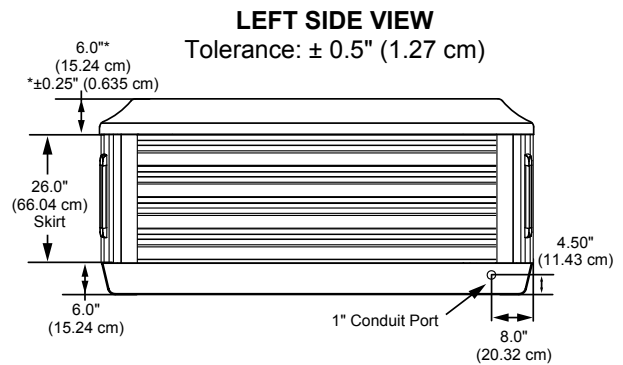
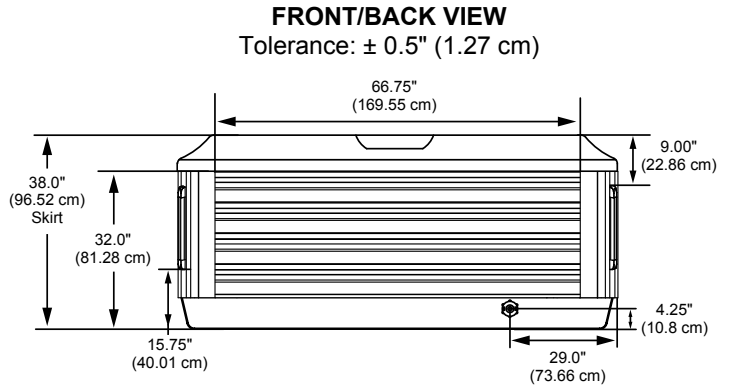
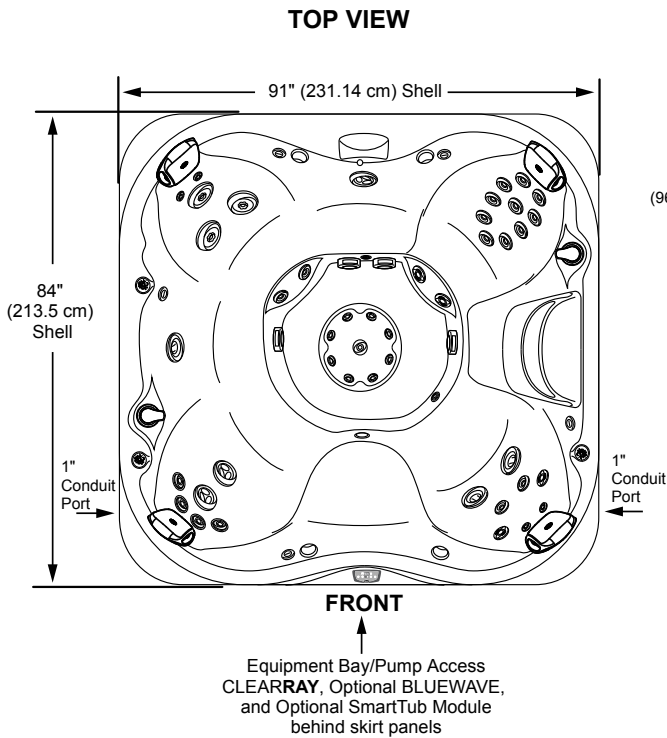
Listed dimensions represent distance from top of acrylic to lowest point in seat.
 Tolerance $\pm 0.5"$ (1.27 cm).



Dimensions/Specifications are Subject to Change Without Notice

Jacuzzi J-365

Dimensions

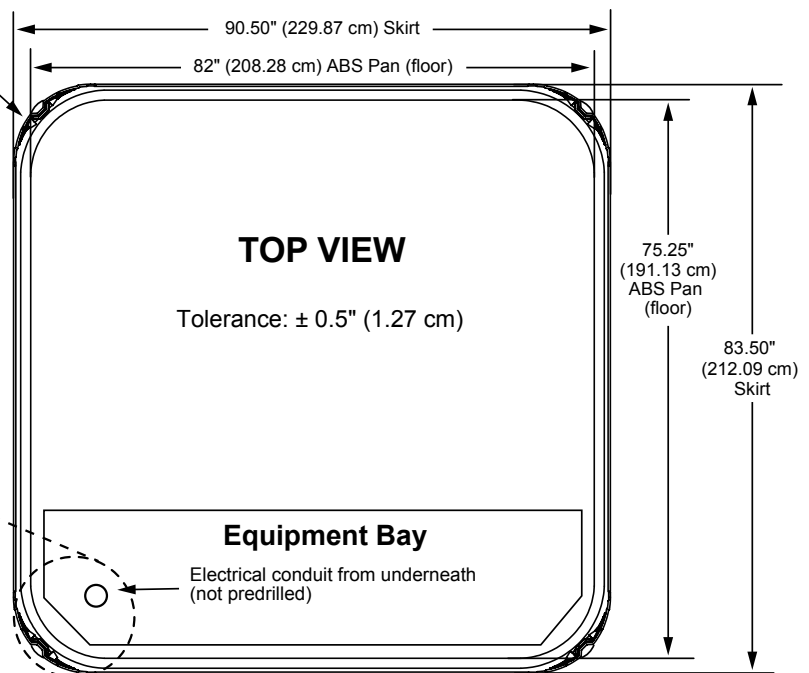
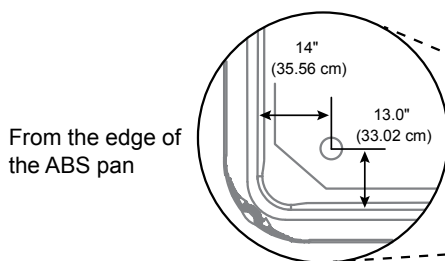


IMPORTANT! Always measure each hot tub for exact dimensions **BEFORE** designing its foundational support and/or decking.



Important Panel Details

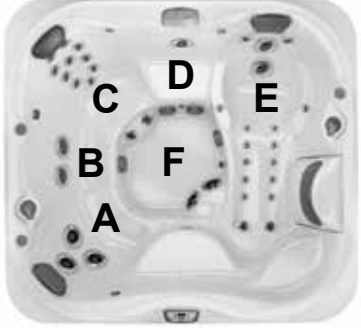
NOTE: Over time the panel(s) may bow, this is considered normal. The panels will straighten out when reinstalled into the mounting channel. Place one end of the panel into the channel first then flatten the panel and insert the other end.



Dimensions/specifications subject to change without notice. Tolerance $\pm 0.5"$ (1.27 cm)

Jacuzzi J-355

Specifications

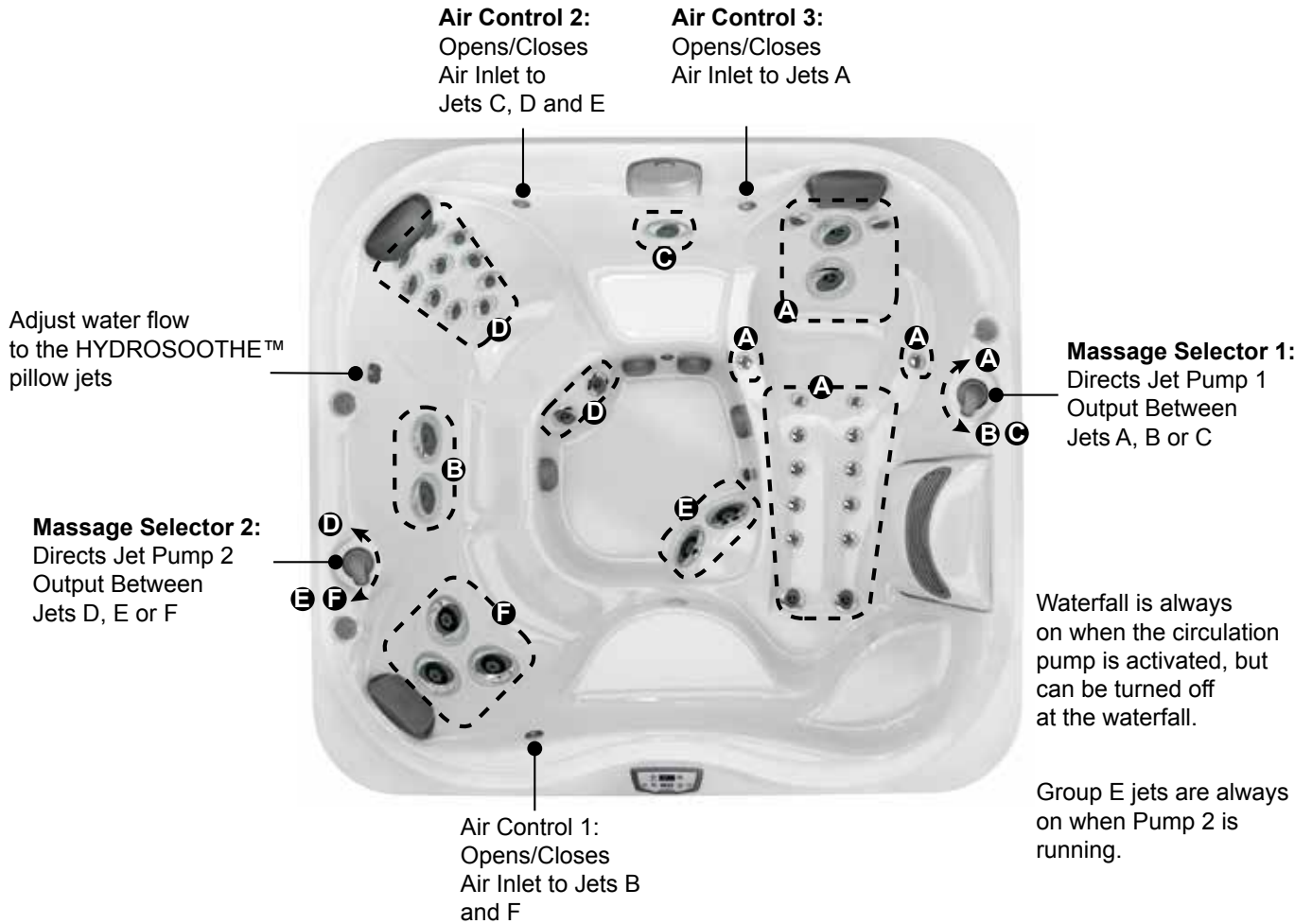
Seating Capacity	5-6 Adults	
Dimensions	84" x 91" x 38" (213.5 cm x 231 cm x 96.5 cm); For Complete Dimensions, See page 97	
Dry Weight	813 lbs (369 kg)	
Filled Weight (Spa Volume)	4,900 lbs (1,855 kg)	
Filled Weight (Average Fill)	3,815 lbs (1,731 kg)	
Water Capacity (Spa Volume)	490 US gallons (1,855 Liters)	
Water Capacity (Average Fill)	360 US gallons (1,363 Liters)	
Electronic Controls	Solid state electronic controls with LCD readout, programmable temperature, filtration, and heat cycles	
Pump 1	North America (60 Hz): 1-Speed, 4.8 HP brake, 2.5 HP continuous, 56 Frame Export (50 Hz):.....1-Speed, 2.0 HP continuous	
Pump 2	North America (60 Hz): 1-Speed, 4.8 HP brake, 2.5 HP continuous, 56 Frame Export (50 Hz):.....1-Speed, 2.0 HP continuous	
Circulation Pump	Yes, 8-hour	
Heater	North America (60 Hz): 5.5kW High Flow Export (50 Hz).....2.7kW High Flow	
Total PowerPro® Jets	44	
Seat A Jets	2 PowerPro® NX2, 3 PowerPro® MX	
Seat B Jets	2 PowerPro® FX Large	
Seat C Jets	10 PowerPro® FX, 2 PowerPro® FX Rotational	
Seat C HYDROSOOTHE™ Jets	2 PowerPro® FX Directional with independent flow rate valve	
Seat D Jets	1 PowerPro® FX Large Rotational	
Seat E Jets	4 PowerPro® FX, 2 PowerPro® FX Large Rotational, 12 PowerPro® BX, 2 PowerPro® FX Rotational	
Footwell (F)	2 PowerPro® MX	
Massage Selectors	2	
Air Controls	3, On/Off rocker style	
Water Management System	Two 60 ft ² filter cartridges; filter 1 on 8-hour circulation pump; filter 2 on jets pump 1; Factory installed CLEARRAY® Water Purification System Export (50 Hz):.....Factory installed CLEARRAY® Water Purification System	
LED Lighting	One underwater light with 4 color modes, one colored waterfall light, cup holders, 2 HYDROSOOTHE pillow lights, and OPTIONAL exterior light	
ProFinish™ Cabinet Colors	Modern Hardwood, Brushed Gray, and Smoked Ebony	
Acrylic Colors	Platinum, Silver Pearl, Sahara, Opal, Desert Sand, Monaco, Midnight, Caribbean Surf, Sandstone, Porcelain	
Headrests	3	
Waterfalls	One independent flow rate (on or off) adjustment; powered by the circulation pump	
Electrical Requirements:	North America (60 Hz): 240 VAC@40A, 50A, or 60A Export (50 Hz): 230-240 VAC@1x32A, 1x20A/1x16A, 3x16A, or suitably rated circuit breaker to comply with local electrical codes. Certain countries may require dual power inputs; two GFCI RCD Breakers are required for this configuration.	
Warranty*	North America (60 Hz): 10 Years Shell, 7 Years Shell Surface, 5 Years for Plumbing Component Leaks, 5 Years Equipment and Controls, 5 Years Cabinet, 2 Years Jets, 2 Years Lights, 1 Year Stereo; Export (50 Hz): 10 Years Shell, 7 Years Shell Surface, 5 Years Plumbing Component Leaks, 5 Years Equipment and Controls, 5 Years Cabinet, 2 Years Jets, 2 Years Lights, 2 Years Stereo	
Special Features (Optional)	SmartTub™ Module, Exterior Lights	
Audio System (Optional)	BLUEWAVE® Spa Stereo System (Bluetooth/Aux compatible) with four speakers and subwoofer; standard wireless RF remote	

*(See Warranty Document for Specific Details)

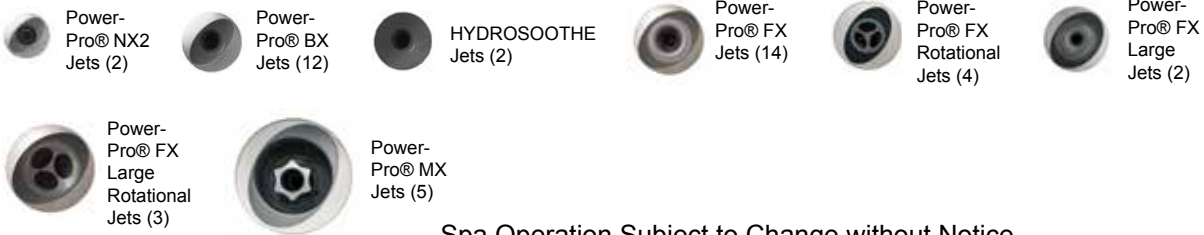
Dimensions/Specifications are Subject to Change Without Notice

Jacuzzi J-355

Massage Selector/Air Control Diagram



44 Total Jets



Spa Operation Subject to Change without Notice

Seat Depths

A = 25.25" (64.14 cm)

B = 26.50" (67.31 cm)

C = 28.75" (73.02 cm)

D = 21.25" (53.98 cm)

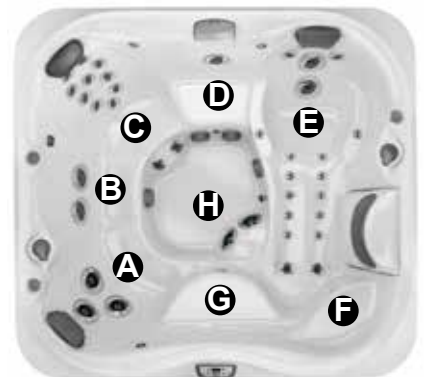
E = 27.00" (68.58 cm)

F = 9.25" (23.50 cm)

G = 13.50" (34.29 cm)

H = 33.25" (84.45 cm)

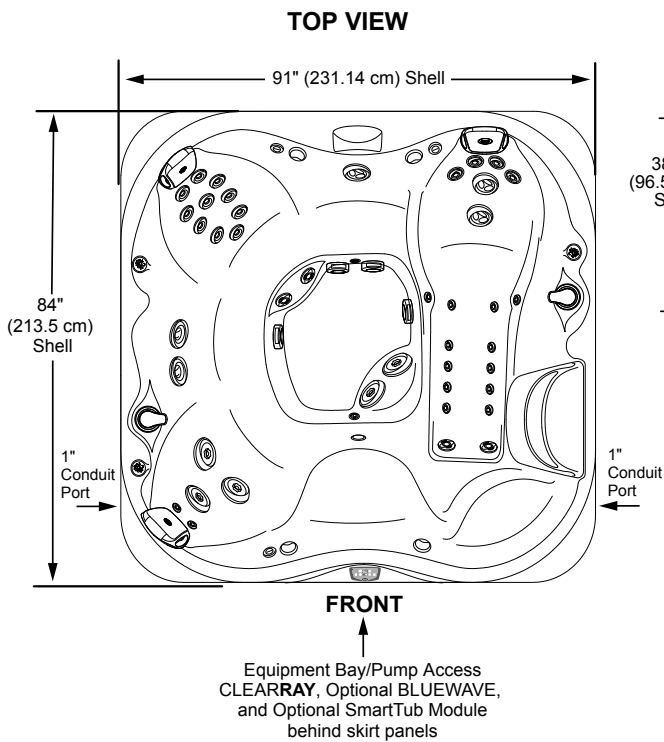
Listed dimensions
represent distance
from top of acrylic to
lowest point in seat.
Tolerance $\pm 0.5"$
(1.27 cm).



Dimensions/Specifications are Subject to Change Without Notice

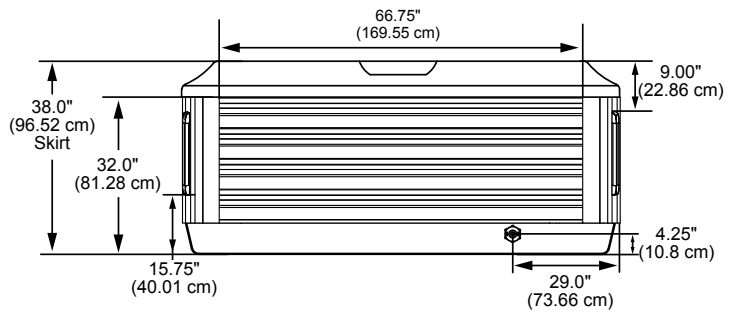
Jacuzzi J-355

Dimensions



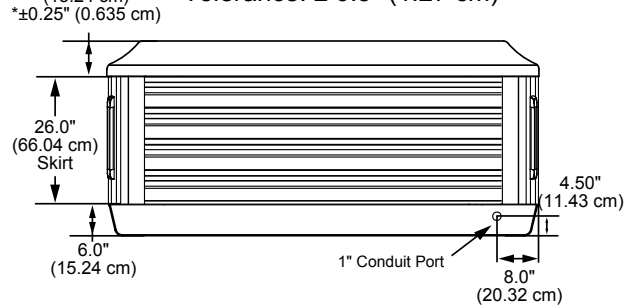
FRONT/BACK VIEW

Tolerance: $\pm 0.5"$ (1.27 cm)



LEFT SIDE VIEW

Tolerance: $\pm 0.5"$ (1.27 cm)

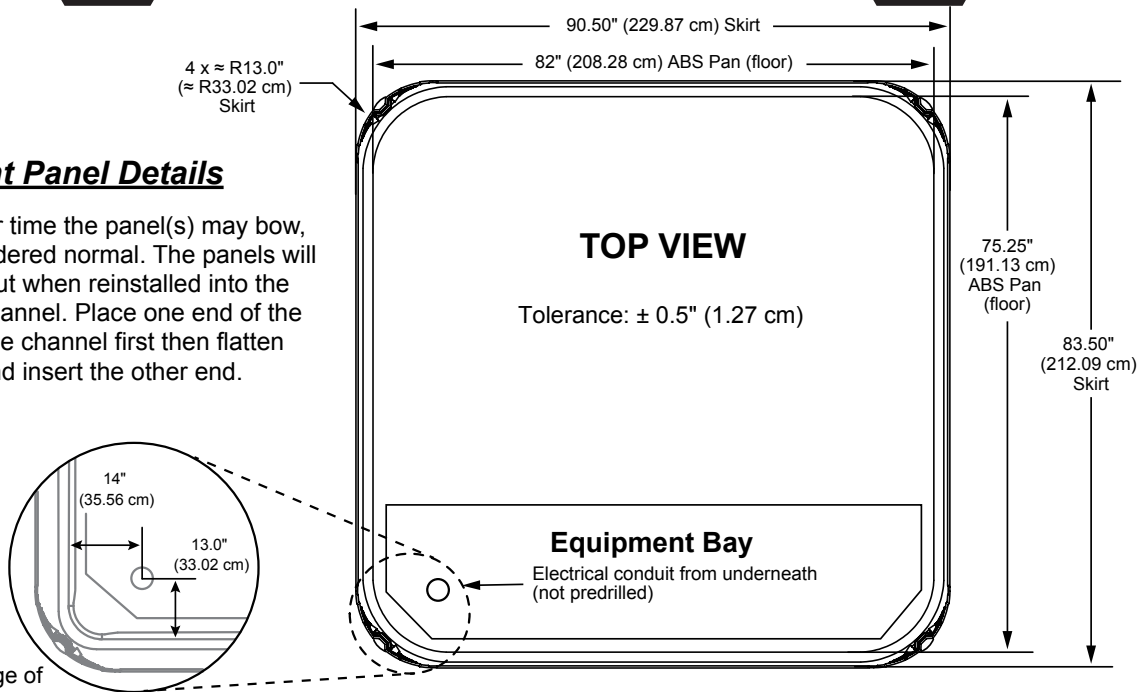


IMPORTANT! Always measure each hot tub for exact dimensions BEFORE designing its foundational support and/or decking.



Important Panel Details

NOTE: Over time the panel(s) may bow, this is considered normal. The panels will straighten out when reinstalled into the mounting channel. Place one end of the panel into the channel first then flatten the panel and insert the other end.



From the edge of the ABS pan

Dimensions/specifications subject to change without notice. Tolerance $\pm 0.5"$ (1.27 cm)

Jacuzzi J-345

Specifications

Seating Capacity.....	6-7 Adults
Dimensions	84" x 84" x 37" (213.5 cm x 213.5 cm x 93.98 cm);
	For Complete Dimensions, See page 97
Dry Weight.....	777 lbs (352 kg)
Filled Weight (Spa Volume)	4,488 lbs (2,036 kg)
Filled Weight (Average Fill).....	3,654 lbs (1,306 kg)
Water Capacity (Spa Volume)	445 US gallons (1,685 Liters)
Water Capacity (Average Fill)	345 US gallons (1,306 Liters)
Electronic Controls	Solid state electronic controls with LCD readout, programmable temperature, filtration, and heat cycles
Pump 1	North America (60 Hz): 1-Speed, 4.8 HP brake, 2.5 HP continuous, 56 Frame
Export (50 Hz):.....	1-Speed, 2.0 HP continuous
Pump 2.....	North America (60 Hz): 1-Speed, 4.8 HP brake, 2.5 HP continuous, 56 Frame
Export (50 Hz):.....	1-Speed, 2.0 HP continuous
Circulation Pump.....	Yes, 8-hour
Heater	North America (60 Hz): 5.5kW High Flow
Export (50 Hz).....	2.7kW High Flow
Total PowerPro® Jets.....	41
Seat A Jets	4 PowerPro® FX, 2 PowerPro® FX Large Rotational, 2 PowerPro® FX Small
Seat B Jets	2 PowerPro® FX
Seat C Jets	3 PowerPro® MX, 2 PowerPro® FX Rotational, 2 PowerPro® FX Small
Seat D Jets	1 PowerPro® FX Large Rotational
Seat E Jets	10 PowerPro® FX, 2 PowerPro® FX Small
Seat E HYDROSOOTHE™ Jets	2 PowerPro® FX Directional with independent flow rate valve
Seat F Jets.....	2 PowerPro® FX Large, 2 PowerPro® FX Rotational, 2 PowerPro® FX, 2 PowerPro® FX Small
Footwell (G).....	8 PowerPro® FX Small, 1 PowerPro® FX
Massage Selectors	2
Air Controls.....	4, On/Off rocker style
Water Management System	Two 60 ft ² filter cartridges; filter 1 on 8-hour circulation pump; filter 2 on jets pump 1; Factory installed CLEARARRAY® Water Purification System
Export (50 Hz):.....	Factory installed CLEARARRAY® Water Purification System
LED Lighting	One underwater light with 4 color modes, one colored waterfall light, cup holders, 2 HYDROSOOTHE pillow lights, and OPTIONAL exterior light
ProFinish™ Cabinet Colors	Modern Hardwood, Brushed Gray, and Smoked Ebony
Acrylic Colors	Platinum, Silver Pearl, Sahara, Opal, Desert Sand, Monaco, Midnight, Caribbean Surf, Sandstone, Porcelain
Headrests	4
Waterfall	One independent flow rate (on or off) adjustment; powered by the circulation pump
Electrical Requirements:.....	North America (60 Hz): 240 VAC@40A, 50A, or 60A
	Export (50 Hz): 230-240 VAC@1x32A, 1x20A/1x16A, 3x16A, or suitably rated circuit breaker to comply with local electrical codes. Certain countries may require dual power inputs; two GFCI RCD breakers are required for this configuration.
Warranty*.....	North America (60 Hz): 10 Years Shell, 7 Years Shell Surface, 5 Years for Plumbing Component Leaks, 5 Years Equipment and Controls, 5 Years Cabinet, 2 Years Jets, 2 Years Lights, 1 Year Stereo;
	Export (50 Hz): 10 Years Shell, 7 Years Shell Surface, 5 Years Plumbing Component Leaks, 5 Years Equipment and Controls, 5 Years Cabinet, 2 Years Jets, 2 Years Lights, 2 Years Stereo
Special Features (Optional).....	SmartTub™ Module, Exterior Lights
Audio System (Optional).....	BLUEWAVE® Spa Stereo System (Bluetooth/Aux compatible) with four speakers and subwoofer; standard wireless RF remote

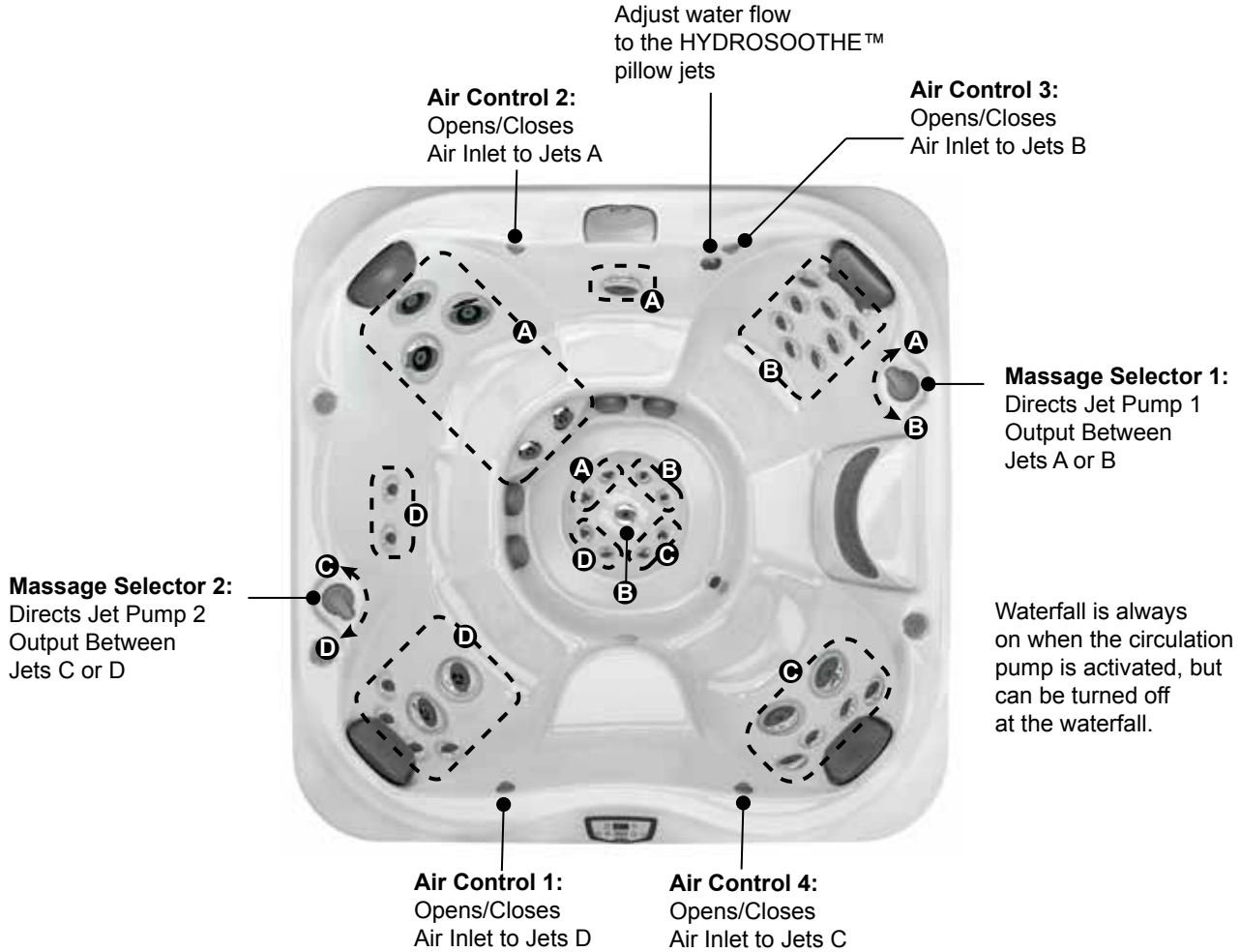


*(See Warranty Document for Specific Details)

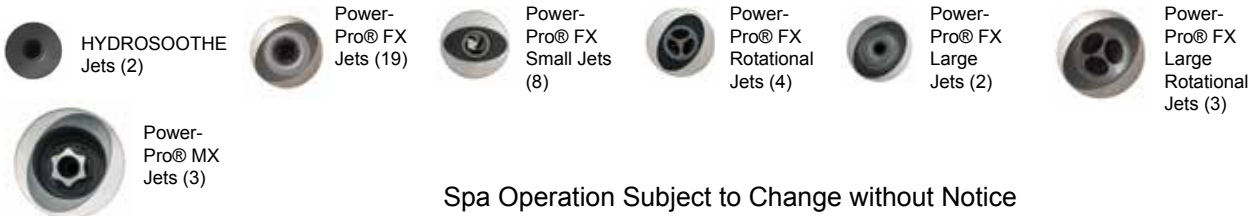
Dimensions/Specifications are Subject to Change Without Notice

Jacuzzi J-345

Massage Selector/Air Control Diagram



41 Total Jets



Seat Depths

A = 25.25" (64.1 cm)
B = 25.25" (64.1 cm)
C = 25.13" (63.8 cm)
D = 23.50" (59.7 cm)
E = 28.50" (72.4 cm)

F = 25.13" (63.8 cm)
G = 16.75" (42.5 cm)
H = 33.50" (85.1 cm)

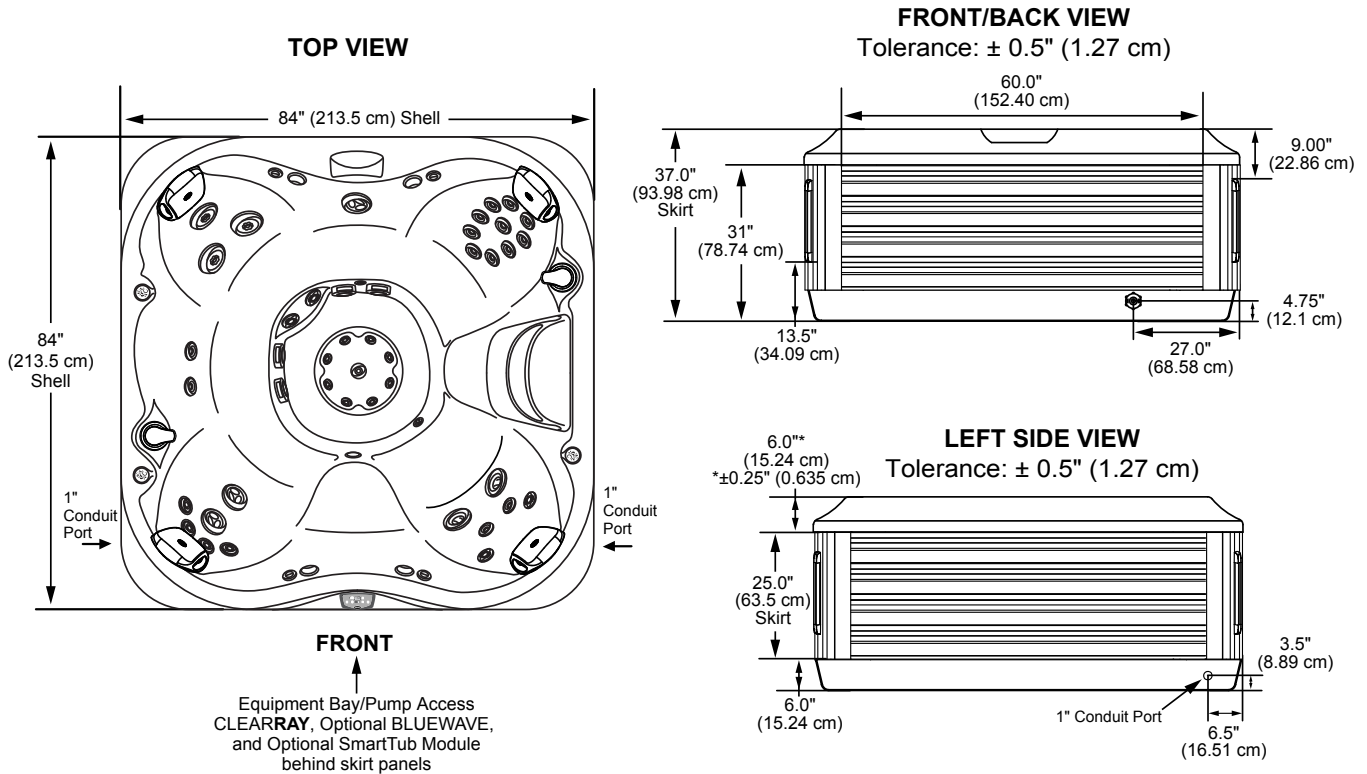
Listed dimensions represent distance from top of acrylic to lowest point in seat. Tolerance $\pm 0.5"$ (1.27 cm).



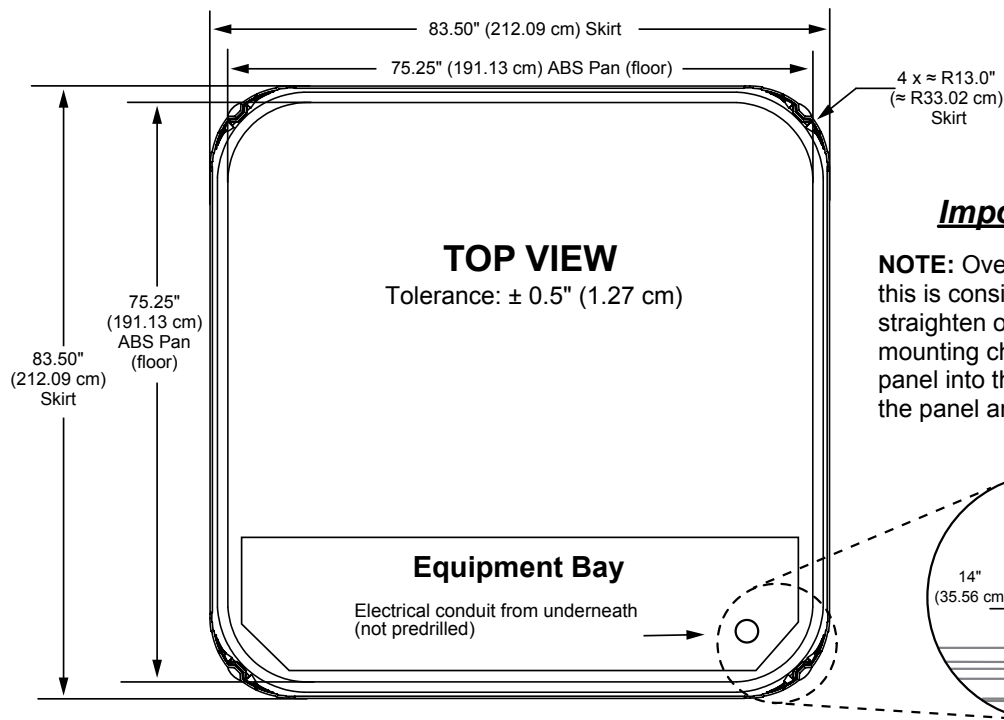
Dimensions/Specifications are Subject to Change Without Notice

Jacuzzi J-345

Dimensions



IMPORTANT! Always measure each hot tub for exact dimensions **BEFORE** designing its foundational support and/or decking.



Dimensions/specifications subject to change without notice. Tolerance $\pm 0.5"$ (1.27 cm)

Jacuzzi J-335

Specifications

Seating Capacity.....	5-6 Adults
Dimensions	84" x 84" x 37" (213.5 cm x 213.5 cm x 93.98 cm); For Complete Dimensions, See page 97
Dry Weight.....	764 lbs (347 kg)
Filled Weight (Spa Volume)	4,684 lbs (2,125 kg)
Filled Weight (Average Fill).....	3,683 lbs (1,671 kg)
Water Capacity (Spa Volume)	450 US gallons (1,703 Liters)
Water Capacity (Average Fill)	350 US gallons (1,325 Liters)
Electronic Controls	Solid state electronic controls with LCD readout, programmable temperature, filtration, and heat cycles
Pump 1.....	North America (60 Hz): 1-Speed, 4.8 HP brake, 2.5 HP continuous, 56 Frame Export (50 Hz):.....1-Speed, 2.0 HP continuous
Pump 2.....	North America (60 Hz): 1-Speed, 4.8 HP brake, 2.5 HP continuous, 56 Frame Export (50 Hz):.....1-Speed, 2.0 HP continuous
Circulation Pump.....	Yes, 8-hour
Heater	North America (60 Hz): 5.5 kW High Flow Export (50 Hz).....2.7 kW High Flow
Total PowerPro® Jets.....	42
Seat A Jets	2 PowerPro® FX Large Rotational
Seat B Jets	4 PowerPro® FX, 1 PowerPro® FX Large Rotational, 12 PowerPro® BX
Seat C Jets	1 PowerPro® FX Large Rotational
Seat D Jets	10 PowerPro® FX, 2 PowerPro® FX Rotational
Seat D HYDROSOOTHE™ Jets	2 PowerPro® FX Directional with independent flow rate valve
Seat E Jets	2 PowerPro® FX, 2 PowerPro® FX Rotational, 2 PowerPro® FX Large
Footwell (F)	2 PowerPro® MX
Massage Selectors	2
Air Controls.....	3, On/Off rocker style
Water Management System	Two 60 ft ² filter cartridges; filter 1 on 8-hour circulation pump; filter 2 on jets pump 1; Factory installed CLEARRAY® Water Purification System Export (50 Hz):.....Factory installed CLEARRAY® Water Purification System
LED Lighting	One underwater light with 4 color modes, one colored waterfall light, cup holders, 2 HYDROSOOTHE pillow lights, and OPTIONAL exterior light
ProFinish™ Cabinet Colors	Modern Hardwood, Brushed Gray, and Smoked Ebony
Acrylic Colors	Platinum, Silver Pearl, Sahara, Opal, Desert Sand, Monaco, Midnight, Caribbean Surf, Sandstone, Porcelain
Headrests	4
Waterfall	One independent flow rate (on or off) adjustment; powered by the circulation pump
Electrical Requirements:	North America (60 Hz): 240 VAC@40A, 50A, or 60A Export (50 Hz): 230-240 VAC@1x32A, 1x20A/1x16A, 3x16A, or suitably rated circuit breaker to comply with local electrical codes. Certain countries may require dual power inputs; two GFCI RCD breakers are required for this configuration.
Warranty*.....	North America (60 Hz): 10 Years Shell, 7 Years Shell Surface, 5 Years Plumbing Component Leaks, 5 Years Equipment and Controls, 5 Years Cabinet, 2 Years Jets, 2 Years Lights, 1 Year Stereo; Export (50 Hz): 10 Years Shell, 7 Years Shell Surface, 5 Years Plumbing Component Leaks, 5 Years Equipment and Controls, 5 Years Cabinet, 2 Years Jets, 2 Years Lights, 2 Years Stereo
Special Features (Optional).....	SmartTub™ Module, Exterior Lights
Audio System (Optional).....	BLUEWAVE® Spa Stereo System (Bluetooth/Aux compatible) with four speakers and subwoofer; standard wireless RF remote

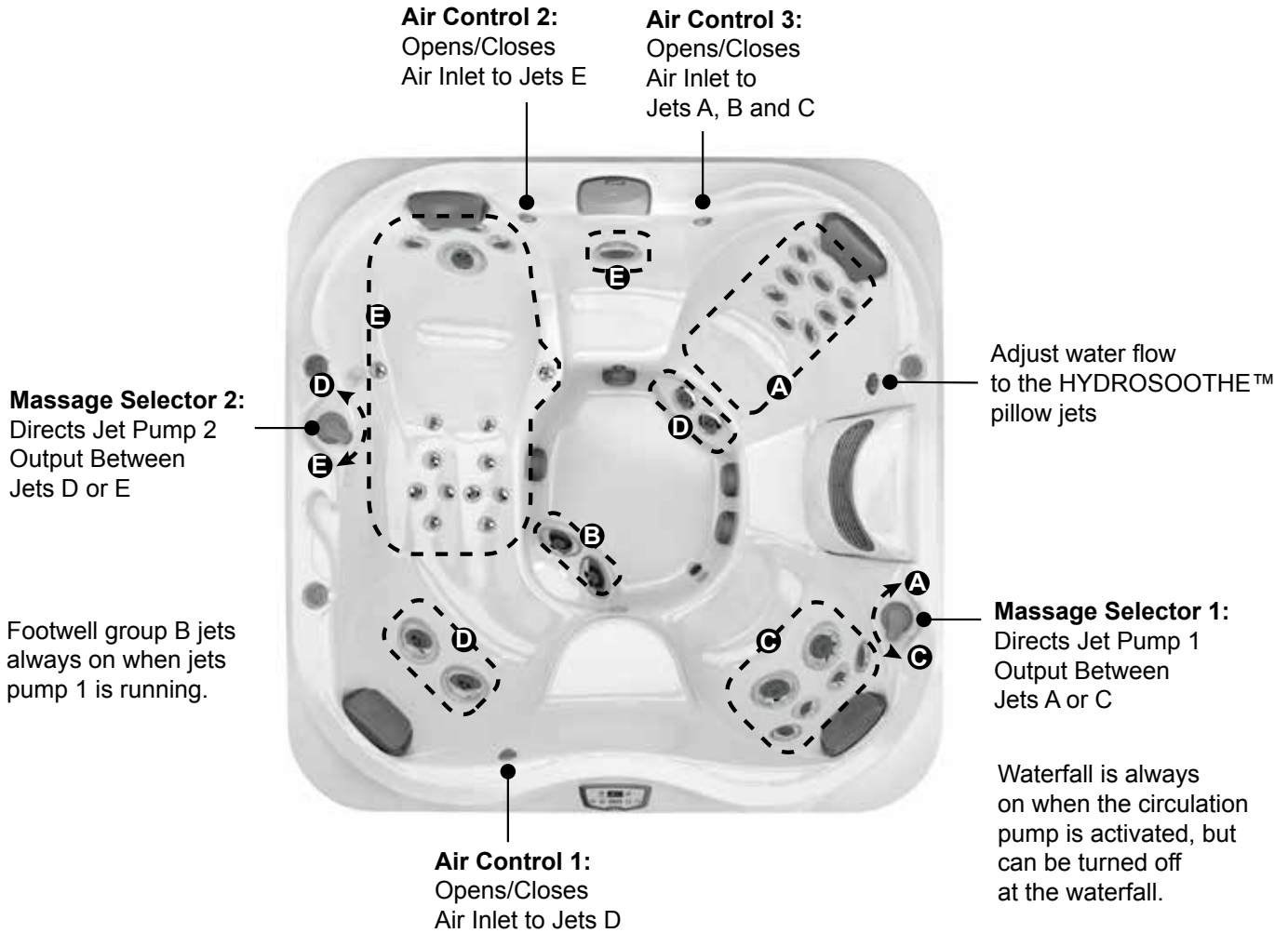


*(See Warranty Document for Specific Details)

Dimensions/Specifications are Subject to Change Without Notice

Jacuzzi J-335

Massage Selector/Air Control Diagram



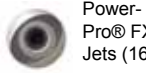
42 Total Jets



Power-Pro® BX
Jets (12)



HYDROSOOTHE
Jets (2)



Power-Pro® FX
Jets (16)



Power-Pro® FX
Rotational
Jets (4)



Power-Pro® FX
Large
Jets (2)



Power-Pro® FX
Large
Rotational
Jets (4)



Power-Pro® MX
Jets (2)

Spa Operation Subject to Change without Notice

Seat Depths

A = 25.75" (65.4 cm)

B = 27.50" (69.9 cm)

C = 23.50" (59.7 cm)

D = 28.25" (71.8 cm)

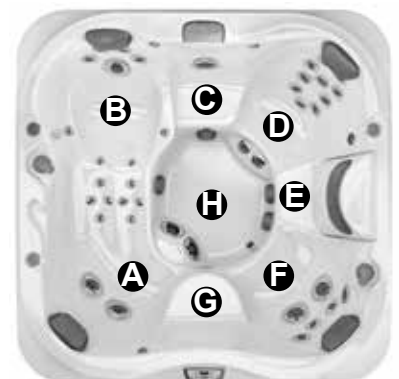
E = 22.75" (57.8 cm)

F = 25.50" (64.8 cm)

G = 16.75" (42.5 cm)

H = 33.50" (85.1 cm)

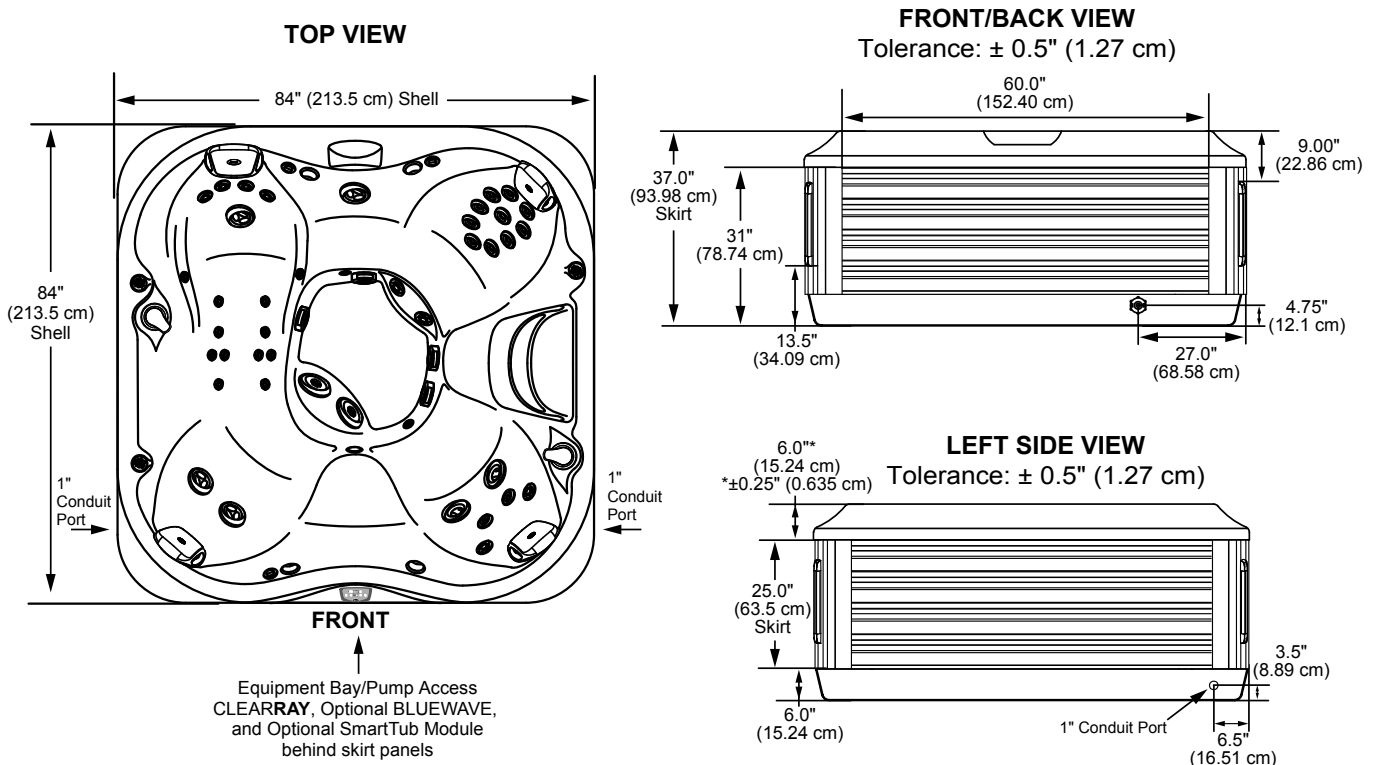
Listed dimensions represent distance from top of acrylic to lowest point in seat. Tolerance $\pm 0.5"$ (1.27 cm).



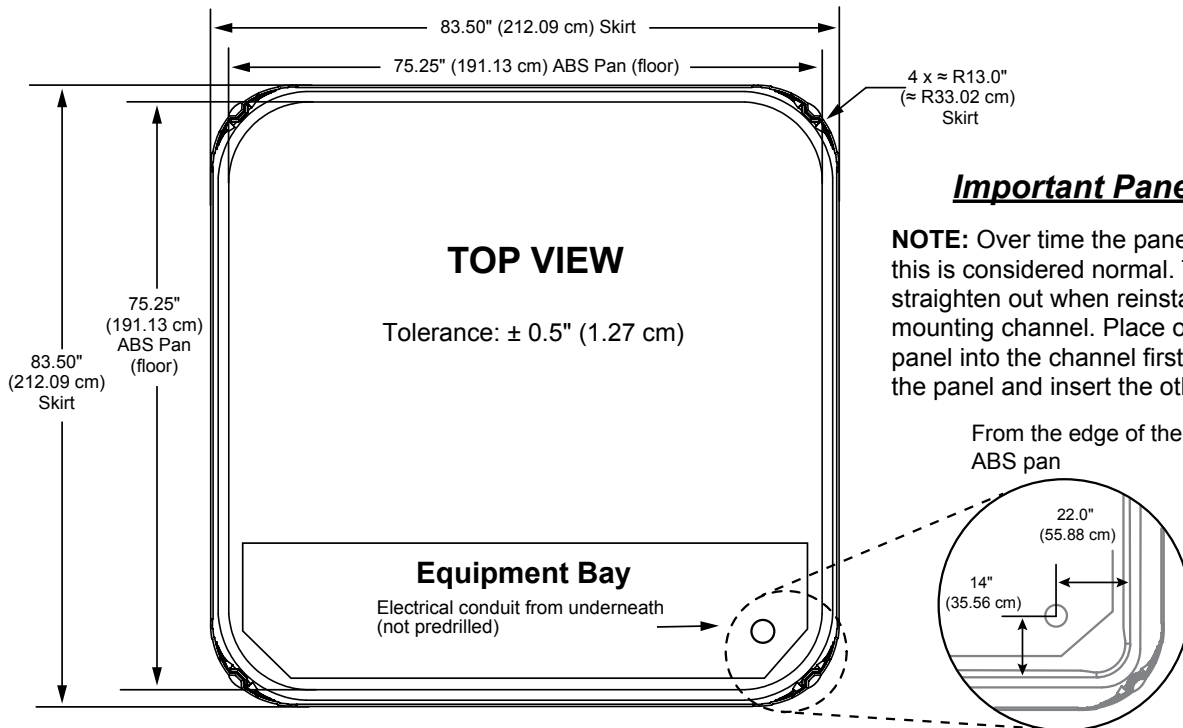
Dimensions/Specifications are Subject to Change Without Notice

Jacuzzi J-335

Dimensions



STOP **IMPORTANT! Always measure each hot tub for exact dimensions BEFORE designing its foundational support and/or decking.** **STOP**



Dimensions/specifications subject to change without notice. Tolerance $\pm 0.5"$ (1.27 cm)

Jacuzzi J-325

Specifications

Seating Capacity.....	4-5 Adults
Dimensions	84" x 76" x 34" (213.5 cm x 193 cm x 86.5 cm); For Complete Dimensions, See page 97
Dry Weight.....	619 lbs (281 kg)
Filled Weight (Spa Volume)	4,372 lbs (1,983 kg)
Filled Weight (Average Fill).....	3,413 lbs (1,548 kg)
Water Capacity (Spa Volume)	450 US gallons (1,703 Liters)
Water Capacity (Average Fill)	335 US gallons (1,268 Liters)
Electronic Controls	Solid state electronic controls with LCD readout, programmable temperature, filtration, and heat cycles
Pump 1 (Convertible)	North America (60 Hz): 1-Speed, 2.5 HP brake, 1.5 HP continuous, 56 Frame
(3-Wire 240V).....	North America (60 Hz): 1-Speed, 4.8 HP brake, 2.5 HP continuous, 56 Frame
Export (50 Hz):.....	1-Speed, 2.0 HP continuous
Circulation Pump.....	Yes, 8-hour
Heater (Convertible)	North America (60 Hz): 1kW/4.0 kW Low Flow
(3-Wire 240V).....	North America (60 Hz): 4.0 kW Low Flow
Export (50 Hz).....	2.7 kW Low Flow
Total PowerPro® Jets.....	23
Seat A Jets	2 PowerPro® FX, 2 PowerPro® FX Rotational, 2 PowerPro® FX Large
Seat B Jets	1 PowerPro® FX Large Rotational, 2 PowerPro® FX Large
Seat C Jets	4 PowerPro® FX, 2 PowerPro® FX Large Rotational
Seat C HYDROSOOTHE™ Jets	2 PowerPro® FX Directional with independent flow rate valve
Seat D Jets	2 PowerPro® FX Large Rotational
Footwell (E)	4 PowerPro® FX Small
Massage Selectors	1
Air Controls	4, On/Off rocker style
Water Management System	Two 60 ft ² filter cartridges; filter 1 on 8-hour circulation pump; filter 2 on jets pump 1; Factory installed CLEARRAY® Water Purification System
Export (50 Hz):.....	Factory installed CLEARRAY® Water Purification System
LED Lighting	One underwater light with 4 color modes, one colored waterfall light, 2 HYDROSOOTHE pillow lights, and OPTIONAL exterior light
ProFinish™ Cabinet Colors	Modern Hardwood, Brushed Gray, and Smoked Ebony
Acrylic Colors	Platinum, Silver Pearl, Sahara, Opal, Desert Sand, Monaco, Midnight, Caribbean Surf, Sandstone, Porcelain
Headrests	4
Waterfall	One independent flow rate (on or off) adjustment; powered by the circulation pump
Electrical Requirements:	North America (60 Hz): Convertible 120 VAC@15A or 240 VAC@30A, 40A, North America (60 Hz): 3-Wire 240V@30A, 40A Export (50 Hz): 230-240 VAC@1x16A or 2x16A, or suitably rated circuit breaker to comply with local electrical codes. Certain countries may require dual power inputs; two GFCI RCD Breakers are required for this configuration.
Warranty*	North America (60 Hz): 10 Years Shell, 7 Years Shell Surface, 5 Years Plumbing Component Leaks, 5 Years Equipment and Controls, 5 Years Cabinet, 2 Years Jets, 2 Years Lights, 1 Year Stereo; Export (50 Hz): 10 Years Shell, 7 Years Shell Surface, 5 Years Plumbing Component Leaks, 5 Years Equipment and Controls, 5 Years Cabinet, 2 Years Jets, 2 Years Lights, 2 Years Stereo
Special Features (Optional)	SmartTub™ Module, Exterior Lights
Audio System (Optional).....	BLUEWAVE® Spa Stereo System (Bluetooth/Aux compatible) with four speakers and subwoofer; standard wireless RF remote

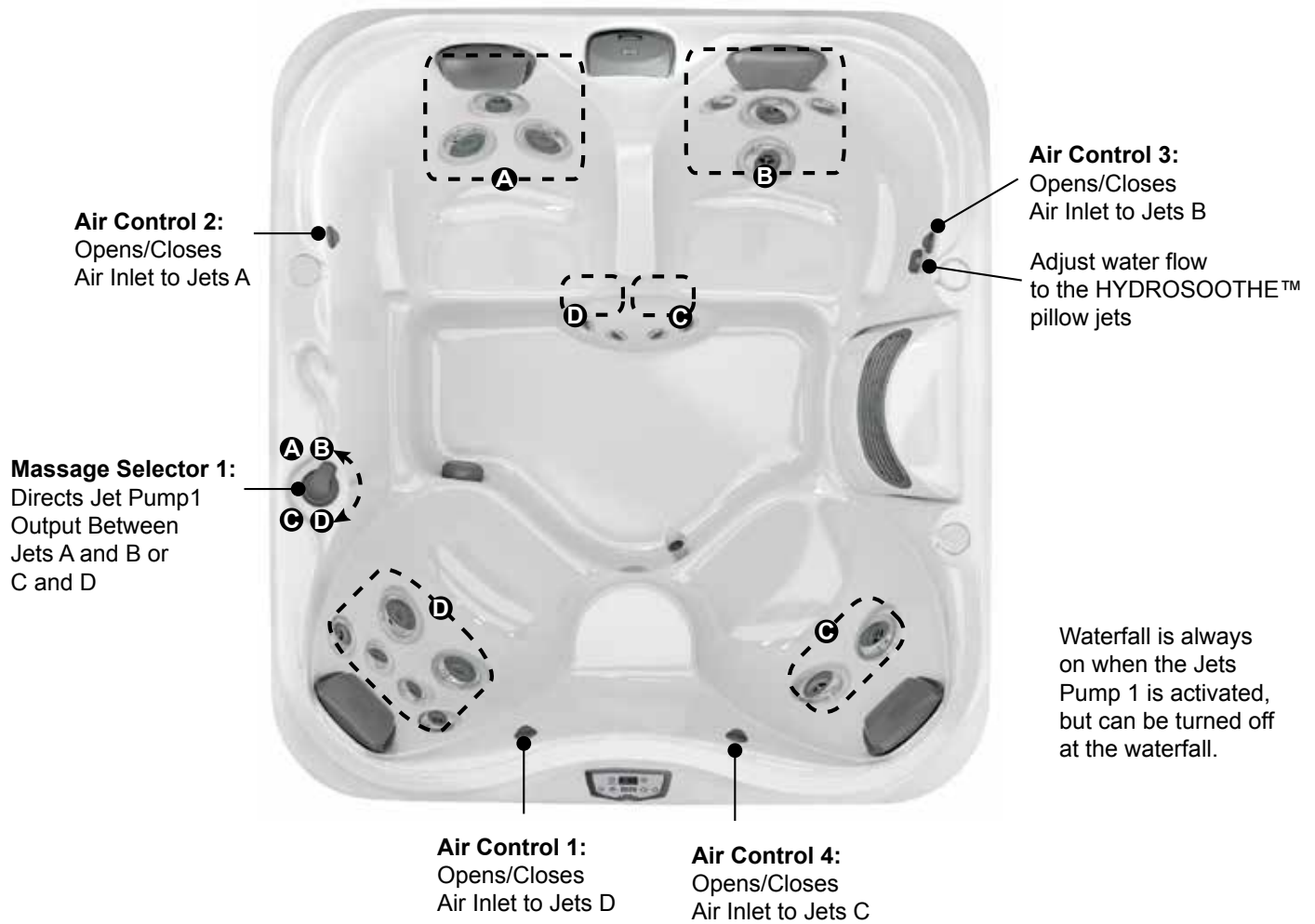


*(See Warranty Document for Specific Details)

Dimensions/Specifications are Subject to Change Without Notice

Jacuzzi J-325

Massage Selector/Air Control Diagram



23 Total Jets



Spa Operation Subject to Change without Notice

Seat Depths

- A = 27.38" (69.5 cm)
- B = 27.38" (69.5 cm)
- C = 27.38" (69.5 cm)
- D = 25.75" (65.4 cm)
- E = 16.63" (42.2 cm)
- F = 31.25" (79.4 cm)

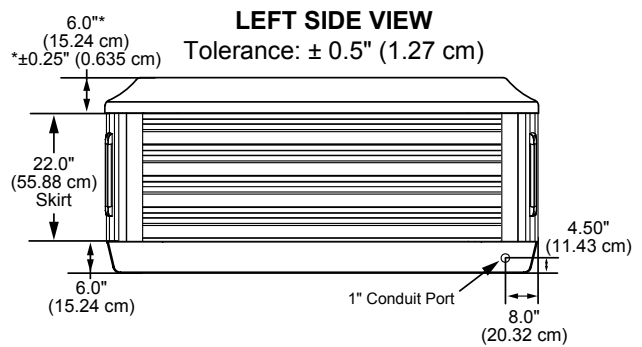
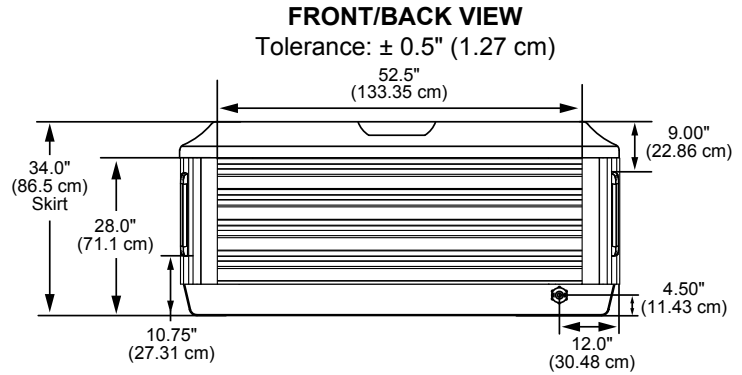
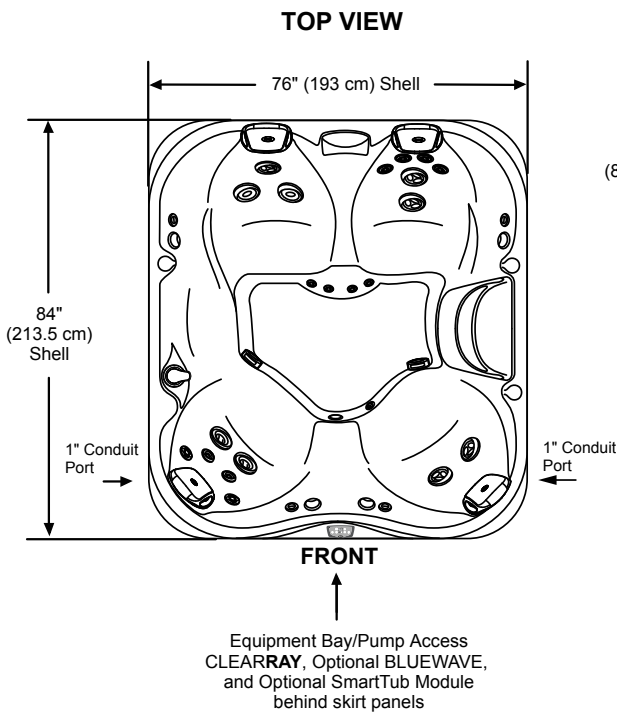
Listed dimensions represent
distance from top of acrylic
to lowest point in seat.
Tolerance $\pm 0.5"$ (1.27 cm).



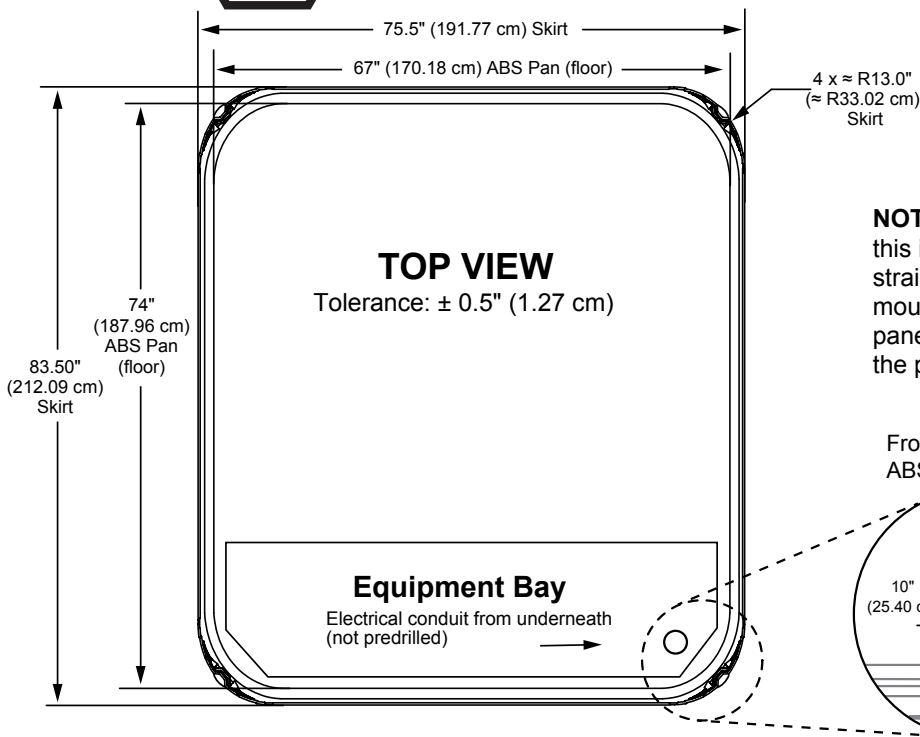
Dimensions/Specifications are Subject to Change Without Notice

Jacuzzi J-325

Dimensions



IMPORTANT! Always measure each hot tub for exact dimensions **BEFORE** designing its foundational support and/or decking.



Important Panel Details

NOTE: Over time the panel(s) may bow, this is considered normal. The panels will straighten out when reinstalled into the mounting channel. Place one end of the panel into the channel first then flatten the panel and insert the other end.

Dimensions/specifications subject to change without notice. Tolerance $\pm 0.5"$ (1.27 cm)

Jacuzzi J-315

Specifications

Seating Capacity	2-3 Adults
Dimensions	66" x 76" x 32" (168 cm x 193 cm x 81 cm); For Complete Dimensions, See page 97
Dry Weight	531 lbs (241 kg)
Filled Weight (Spa Volume)	2,866 lbs (1,300 kg)
Filled Weight (Average Fill)	2,282 lbs (1,035 kg)
Water Capacity (Spa Volume)	280 US gallons (1,060 Liters)
Water Capacity (Average Fill)	210 US gallons (795 Liters)
Electronic Controls	Solid state electronic controls with LCD readout, programmable temperature, filtration, and heat cycles
Pump 1 (Convertible)	North America (60 Hz): 1-Speed, 2.5 HP brake, 1.5 HP continuous, 56 Frame
(3-Wire 240V)	North America (60 Hz): 1-Speed, 4.8 HP brake, 2.5 HP continuous, 56 Frame
Export (50 Hz):	1-Speed, 2.0 HP continuous
Circulation Pump	Yes, 8-hour
Heater (Convertible)	North America (60 Hz): 1kW/4.0 kW Low Flow
(3-Wire 240V)	North America (60 Hz): 4.0 kW Low Flow
Export (50 Hz)	2.7 kW Low Flow
Total PowerPro® Jets	23
Seat A Jets	2 PowerPro® FX Rotational, 2 PowerPro® FX
Seat B Jets	6 PowerPro® FX, 2 PowerPro® FX Large Rotational, 6 PowerPro® BX
Seat B HYDROSOOTHE™ Jets	2 PowerPro® FX Directional with independent flow rate valve
Seat C Jets	1 PowerPro® FX Large Rotational, 2 PowerPro® FX Large Rotational
Massage Selectors	1
Air Controls	3, On/Off rocker style
Water Management System	Two 60 ft ² filter cartridges; filter 1 on 8-hour circulation pump; filter 2 on jets pump 1; Factory installed CLEARRAY® Water Purification System
Export (50 Hz):	Factory installed CLEARRAY® Water Purification System
LED Lighting	One underwater light with 4 color modes, one colored waterfall light, 2 HYDROSOOTHE pillow lights, and OPTIONAL exterior light
ProFinish™ Cabinet Colors	Modern Hardwood, Brushed Gray, and Smoked Ebony
Acrylic Colors	Platinum, Silver Pearl (Gypsum), Desert Sand, Monaco, Opal, Midnight, Caribbean Surf, Sahara, Sandstone, Porcelain
Headrests	3
Waterfall	One independent flow rate (on or off) adjustment; powered by the circulation pump
Electrical Requirements:	North America (60 Hz): Convertible 120 VAC@15A or 240 VAC@30A, 40A North America (60 Hz): 3-Wire 240V@30A, 40A Export (50 Hz): 230-240 VAC@1x16A, or 2x16A, or suitably rated circuit breaker to comply with local electrical codes. Certain countries may require dual power inputs; two GFCI RCD breakers are required for this configuration.
Warranty*	North America (60 Hz): 10 Years Shell, 7 Years Shell Surface, 5 Years Plumbing Component Leaks, 5 Years Equipment and Controls, 5 Years Cabinet, 2 Years Jets, 2 Years Lights, 1 Year Stereo; Export (50 Hz): 10 Years Shell, 7 Years Shell Surface, 5 Years Plumbing Component Leaks, 5 Years Equipment and Controls, 5 Years Cabinet, 2 Years Jets, 2 Years Lights, 2 Years Stereo
Special Features (Optional)	SmartTub™ Module, Exterior Lights
Audio System (Optional)	BLUEWAVE® Spa Stereo System (Bluetooth/Aux compatible) with four speakers and subwoofer; standard wireless RF remote

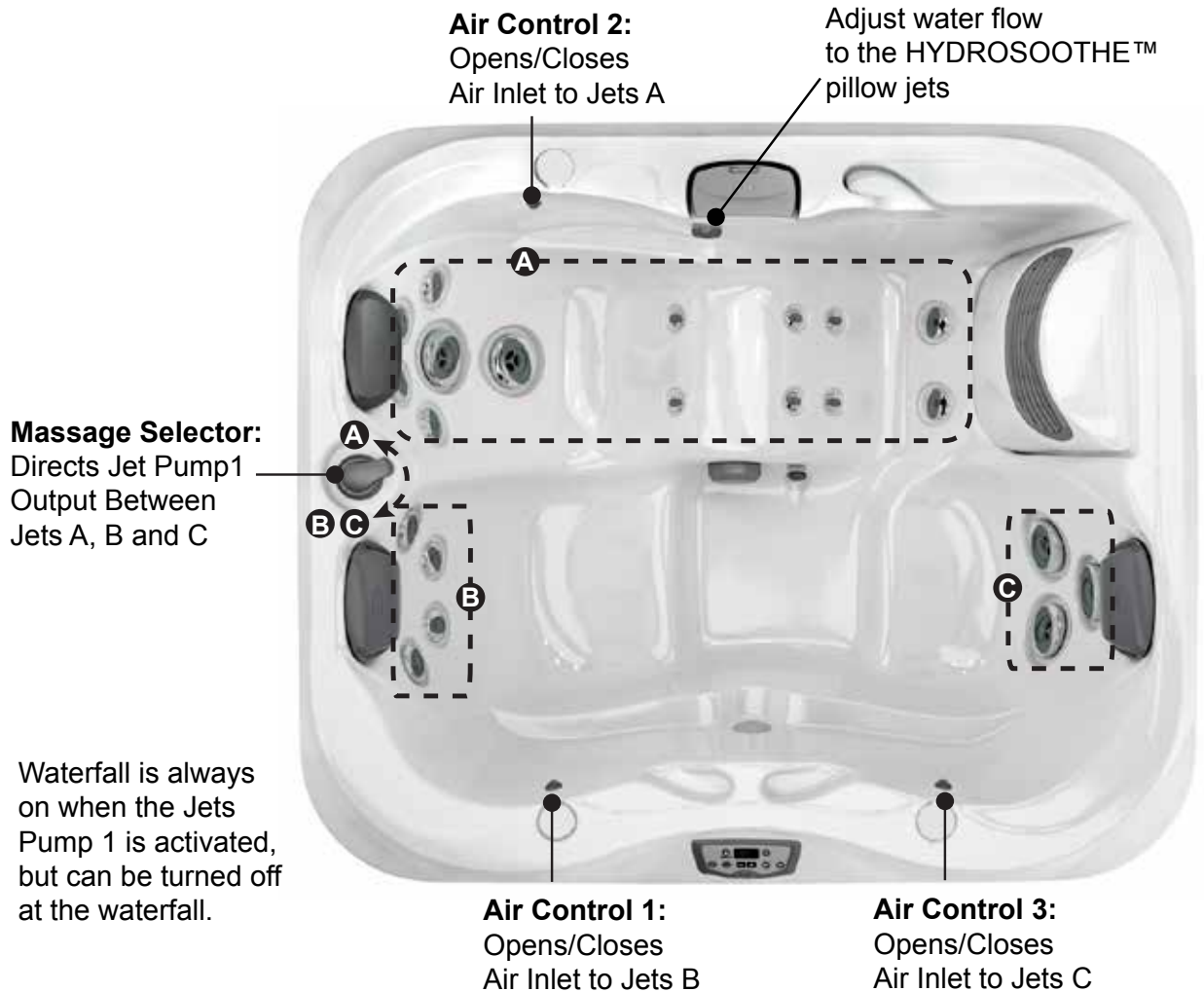


*(See Warranty Document for Specific Details)

Dimensions/Specifications are Subject to Change Without Notice

Jacuzzi J-315

Massage Selector/Air Control Diagram



23 Total Jets



Power-Pro® BX
Jets (6)



HYDROSOOTHE
Jets (2)



Power-Pro® FX
Jets (8)



Power-Pro® FX
Rotational
Jets (2)



Power-Pro® FX
Large
Jets (2)



Power-Pro® FX
Large
Rotational
Jets (3)

Spa Operation Subject to Change without Notice

Seat Depths

A = 27.50" (69.9 cm)

B = 26.25" (66.7 cm)

C = 27.88" (70.8 cm)

D = 26.75" (69.4 cm)

E = 27.50" (69.9 cm)

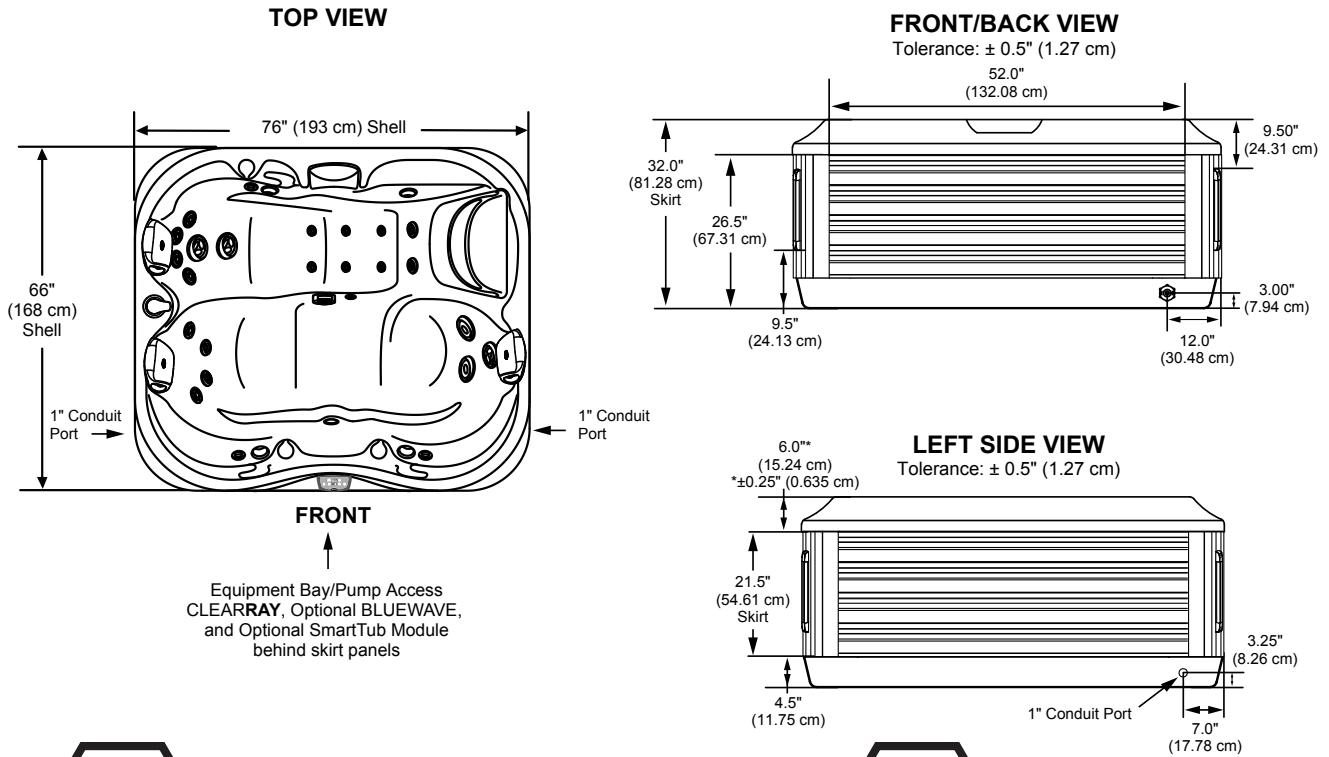
Listed dimensions represent distance from top of acrylic to lowest point in seat. Tolerance $\pm 0.5"$ (1.27 cm).



Dimensions/Specifications are Subject to Change Without Notice

Jacuzzi J-315

Dimensions

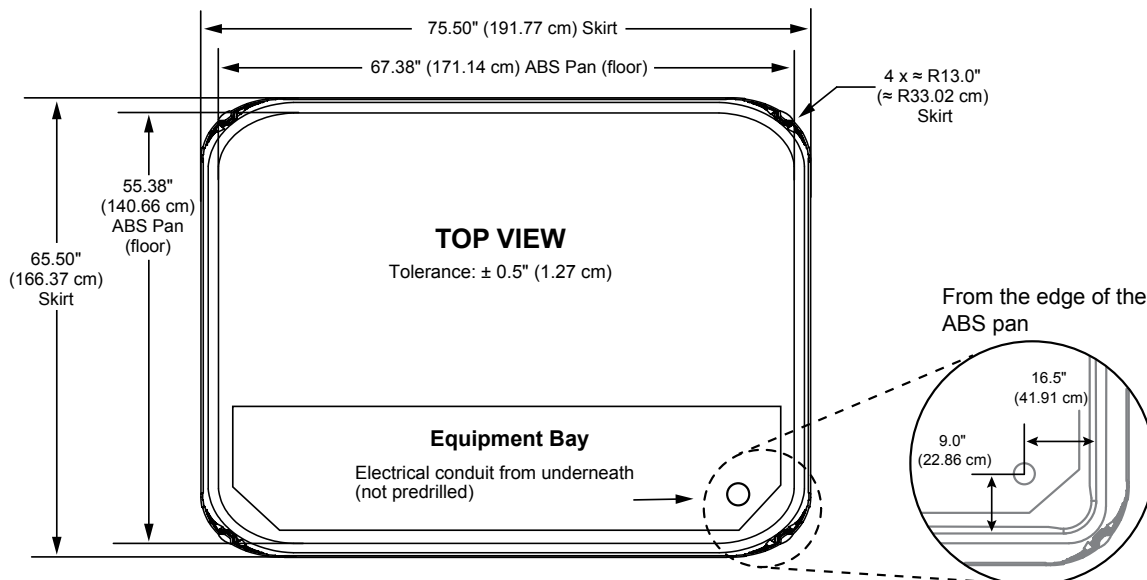


IMPORTANT! Always measure each hot tub for exact dimensions **BEFORE** designing its foundational support and/or decking.



Important Panel Details

NOTE: Over time the panel(s) may bow, this is considered normal. The panels will straighten out when reinstalled into the mounting channel. Place one end of the panel into the channel first then flatten the panel and insert the other end.

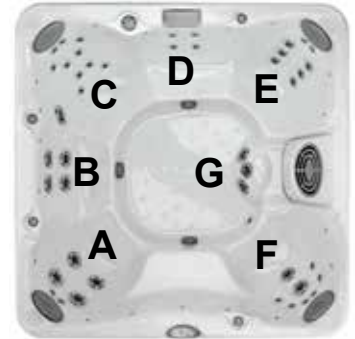


Dimensions/specifications subject to change without notice. Tolerance $\pm 0.5"$ (1.27 cm)

Jacuzzi J-280

Specifications

Seating Capacity	6-7 Adults
Dimensions	90" x 90" x 36.5" (228.6 cm x 228.6 cm x 92.7 cm); For Complete Dimensions, See page 98
Dry Weight	885 lbs (401 kg)
Filled Weight (Spa Volume)	5,639 lbs (2,558 kg)
Filled Weight (Average Fill)	4,721 lbs (2,142 kg)
Water Capacity (Spa Volume)	570 US gallons (2,158 Liters)
Water Capacity (Average Fill)	460 US gallons (1,741 Liters)
Electronic Controls	Solid state electronic controls with LED readout, programmable temperature, filtration, and heat cycles
Pump 1	North America (60 Hz): 2-Speed, 4.5 HP brake, 2.5 HP continuous, 56 Frame
Export (50 Hz):	2-Speed, 2.0 HP continuous
Pump 2	North America (60 Hz): 1-Speed, 4.8 HP brake, 2.5 HP continuous, 56 Frame
Export (50 Hz):	1-Speed, 2.0 HP continuous
Circulation Pump	No
Total Jets	44
Seat A Jets	2 Classic PRO Accu-Pressure, 4 Classic PRO Duo Rotator
Seat B Jets	2 Classic PRO Directional, 2 Classic PRO Duo Rotator
Seat C Jets	2 Classic PRO Pulsating, 8 Classic PRO Accu-Pressure, 1 Classic PRO Turbo
Seat D Jets	4 Classic PRO Accu-Pressure
Seat E Jets	2 Classic PRO Accu-Pressure, 6 Classic PRO Mini Duo Rotator
Seat F Jets	2 Classic PRO Duo Rotator, 2 Classic PRO Pulsating, 4 Classic PRO Accu-Pressure
Footwell (G)	3 Classic PRO Directional
Massage Selectors	1
Air Controls	4
Water Management System	One 95 ft ² filter cartridge on jets pump 1, Factory installed CLEARRAY® Water Purification System
Export (50 Hz):	Factory installed CLEARRAY® Water Purification System
LED Lighting	Classic lighting package of 22 perimeter LED lights, 3 waterfall lights and footwell multi-color LED light
Synthetic Cabinet Colors	Silverwood, Roasted Chestnut, Brazilian Teak
Acrylic Colors	Platinum, Silver Pearl, Sahara, Opal, Desert Sand, Monaco, Midnight, Caribbean Surf, Sandstone, Porcelain
Headrests	4
Electrical Requirements:	North America (60 Hz): 240 VAC@40A, 50A or 60A Export (50 Hz): 230-240 VAC@20A, 30A or 40A, or suitably rated circuit breaker to comply with local electrical codes. Certain countries may require dual power inputs; two GFCI RCD breakers are required for this configuration.
Warranty*	North America (60 Hz): 5 Years Shell, 3 Years Shell Surface, 3 Years Plumbing Component Leaks, 3 Years Equipment and Controls, 1 Year Cabinet, 1 Year Jets, 1 Year Stereo Export (50 Hz): 5 Years Shell, 3 Years Shell Surface, 3 Years Plumbing Component Leaks, 3 Years Equipment and Controls, 1 Year Cabinet, 1 Year Jets, 2 Years Stereo
Special Features (Optional)	SmartTub™ Module
Audio System (Optional)	BLUEWAVE® Spa Stereo System (Bluetooth/Aux compatible only) with four speakers



*(See Warranty Document for Specific Details)

Dimensions/Specifications are Subject to Change Without Notice

Jacuzzi J-280

Massage Selector/Air Control Diagram

Massage Selector 1:
Directs Jet Pump 2 Output Between
Jets B, C or D

Air Control 4:
Opens/Closes Air Inlet to
Jets D

Waterfall can be
turned off at the
waterfall. Flow
valve on side of
waterfall.

Air Control 3:
Opens/Closes
Air Inlet to Jets C

Air Control 2:
Opens/Closes
Air Inlet to Jets B



- **Jets A Powered by Jet Pump 1**
- **Jets B, C and D Powered by Jet Pump 2**

Air Control 1:
Opens/Closes Air Inlet to Jets A

44 Total Jets



Classic
PRO
Accu-
Pressure
Jets (20)



Classic
PRO
Pulsating
Jets (4)



Classic
PRO
Mini Duo
Rotator
Jets (6)



Classic
PRO Duo
Rotator
Jets (8)



Classic
PRO
Directional
Jets (5)



Classic
PRO
Turbo Jet
(1)

Spa Operation Subject to Change without Notice

Seat Depths

A = 28.00" (71.1 cm)

B = 24.00" (60.6 cm)

C = 26.50" (67.3 cm)

D = 24.50" (62.2 cm)

E = 16.00" (40.6 cm)

F = 25.50" (64.8 cm)

G = 23.00" (58.4 cm)

H = 30.00" (76.2 cm)

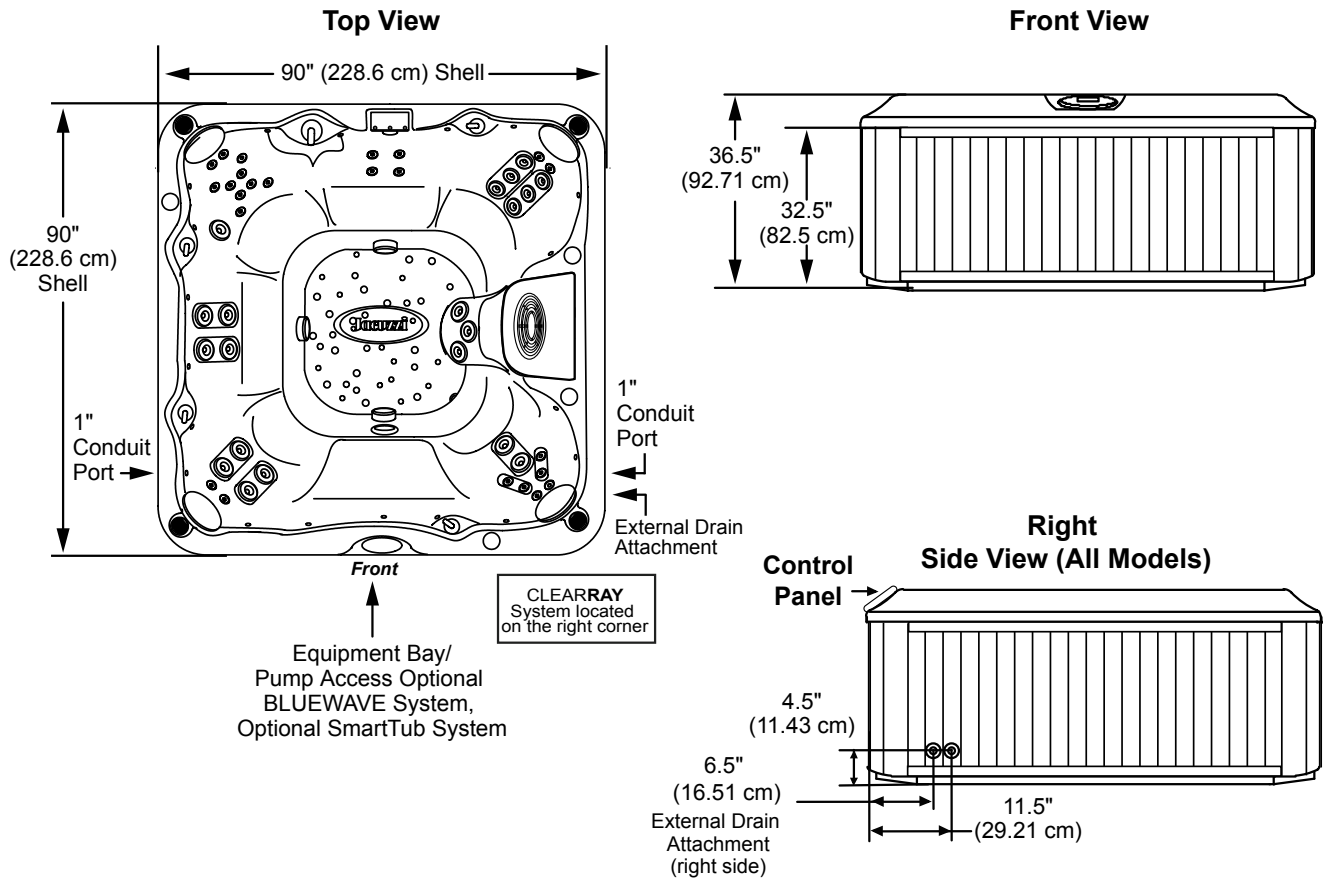
Listed dimensions
represent distance from
top of acrylic to lowest
point in seat. Tolerance
± 0.5" (1.27 cm).



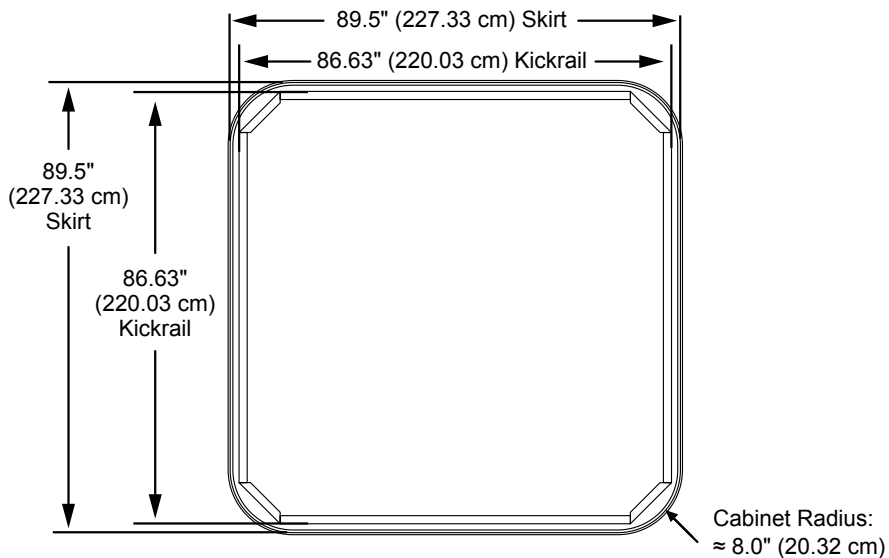
Dimensions/Specifications are Subject to Change Without Notice

Jacuzzi J-280

Dimensions



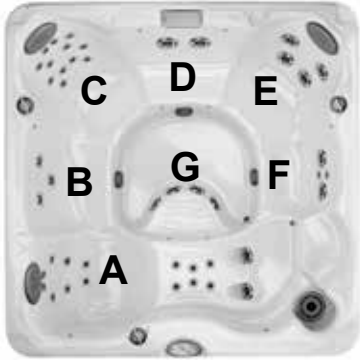
IMPORTANT! Always measure each hot tub for exact dimensions BEFORE designing its foundational support and/or decking.



Dimensions/specifications subject to change without notice. Tolerance $\pm 0.5"$ (1.27 cm)

Jacuzzi J-275

Specifications

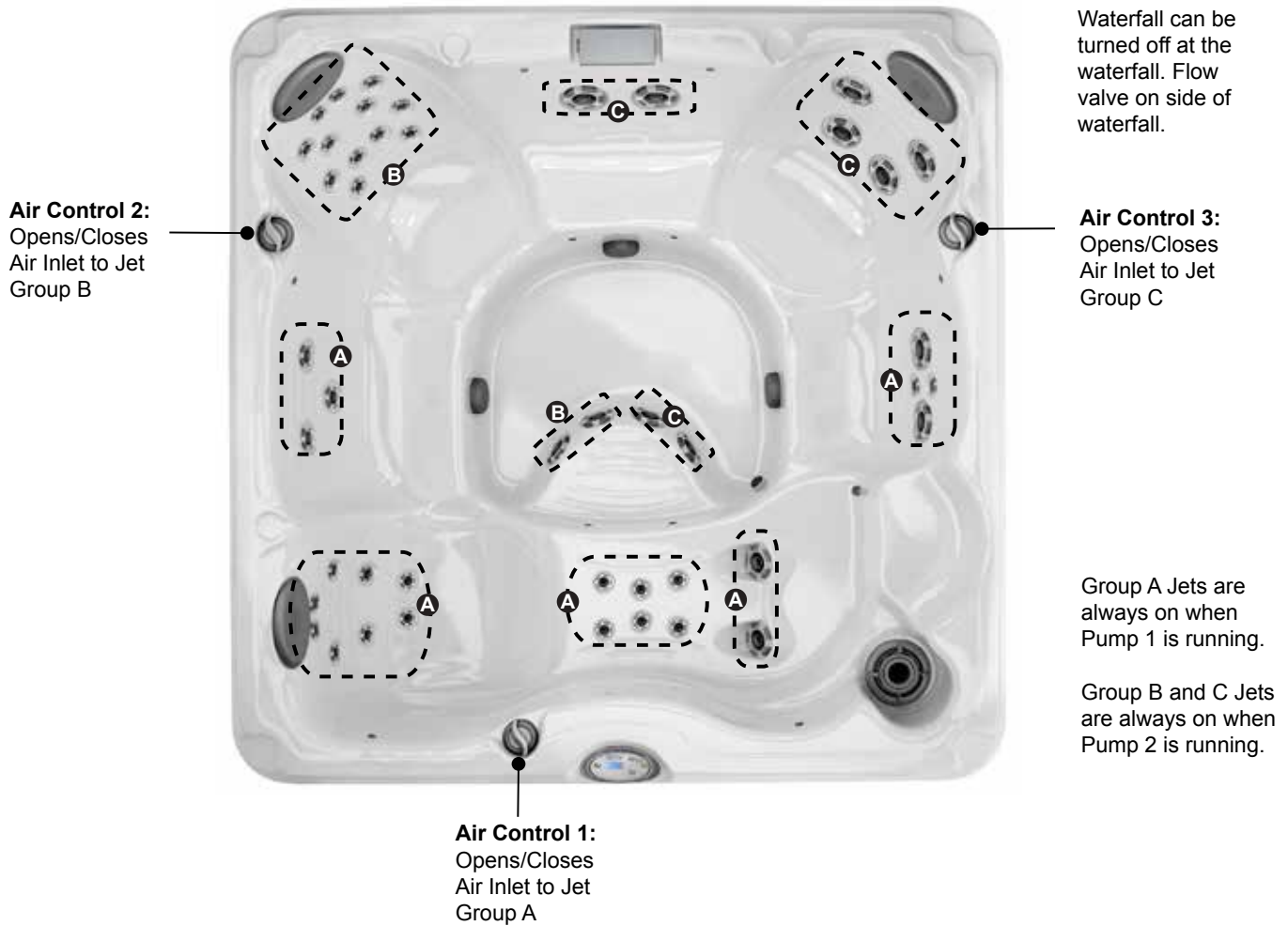
Seating Capacity	6 Adults	
Dimensions	90" x 90" x 36.5" (228.6 cm x 228.6 cm x 92.7 cm); For Complete Dimensions, See page 98	
Dry Weight	807 lbs (366 kg)	
Filled Weight (Spa Volume)	5,227 lbs (2,371 kg)	
Filled Weight (Average Fill)	4,310 lbs (1,955 kg)	
Water Capacity (Spa Volume) ...	530 US gallons (2,006 Liters)	
Water Capacity (Average Fill) ...	420 US gallons (1,590 Liters)	
Electronic Controls	Solid state electronic controls with LED readout, programmable temperature, filtration, and heat cycles	
Pump 1	North America (60 Hz): 2-Speed, 4.5 HP brake, 2.5 HP continuous, 56 Frame Export (50 Hz): 2-Speed, 2.0 HP continuous	
Pump 2	North America (60 Hz): 1-Speed, 4.8 HP brake, 2.5 HP continuous, 56 Frame Export (50 Hz): 1-Speed, 2.0 HP continuous	
Circulation Pump	No	
Total Jets	45	
Seat A Jets	2 Classic PRO Directional, 8 Classic PRO Pulsating, 6 Classic PRO Accu-Pressure	
Seat B Jets	3 Classic PRO Mini Duo Rotator	
Seat C Jets	6 Classic PRO Pulsating, 6 Classic PRO Accu-Pressure	
Seat D Jets	2 Classic PRO Power Multiport	
Seat E Jets	2 Classic PRO Directional, 2 Classic PRO Duo Rotator	
Seat F Jets	2 Classic PRO Accu-Pressure, 2 Classic PRO Duo Rotator	
Footwell (G)	4 Classic PRO Directional	
Massage Selectors	None	
Air Controls	3	
Water Management System	One 50 ft ² filter cartridge on jets pump 1, Factory installed CLEARRAY® Water Purification System Export (50 Hz): Factory installed CLEARRAY® Water Purification System	
LED Lighting	Classic lighting package of 10 LED lights	
Synthetic Cabinet Colors	Silverwood, Roasted Chestnut, Brazilian Teak	
Acrylic Colors	Platinum, Silver Pearl, Sahara, Opal, Desert Sand, Monaco, Midnight, Caribbean Surf, Sandstone, Porcelain	
Headrests	3	
Electrical Requirements:	North America (60 Hz): 240 VAC@40A, 50A or 60A Export (50 Hz): 230 VAC@20A, 30A or 40A, or suitably rated circuit breaker to comply with local electrical codes. Certain countries may require dual power inputs; two GFCI RCD breakers are required for this configuration.	
Warranty*	North America (60 Hz): 5 Years Shell, 3 Years Shell Surface, 3 Years Plumbing Component Leaks, 3 Years Equipment and Controls, 1 Year Cabinet, 1 Year Jets, 1 Year Stereo Export (50 Hz): 5 Years Shell, 3 Years Shell Surface, 3 Years Plumbing Component Leaks, 3 Years Equipment and Controls, 1 Year Cabinet, 1 Year Jets, 2 Years Stereo	
Special Features (Optional)	SmartTub™ Module	
Audio System (Optional)	BLUEWAVE® Spa Stereo System (Bluetooth/Aux compatible only) with four speakers	

*(See Warranty Document for Specific Details)

Dimensions/Specifications are Subject to Change Without Notice

Jacuzzi J-275

Massage Selector/Air Control Diagram



45 Total Jets



Spa Operation Subject to Change without Notice

Seat Depths

A = 25.50" (64.8 cm)
B = 24.75" (62.9 cm)
C = 26.25" (66.7 cm)
D = 22.00" (55.9 cm)
E = 25.25" (64.1 cm)
F = 23.75" (60.3 cm)

G = 7.00" (17.8 cm)
H = 24.50" (62.3 cm)
I = 31.75" (80.6 cm)

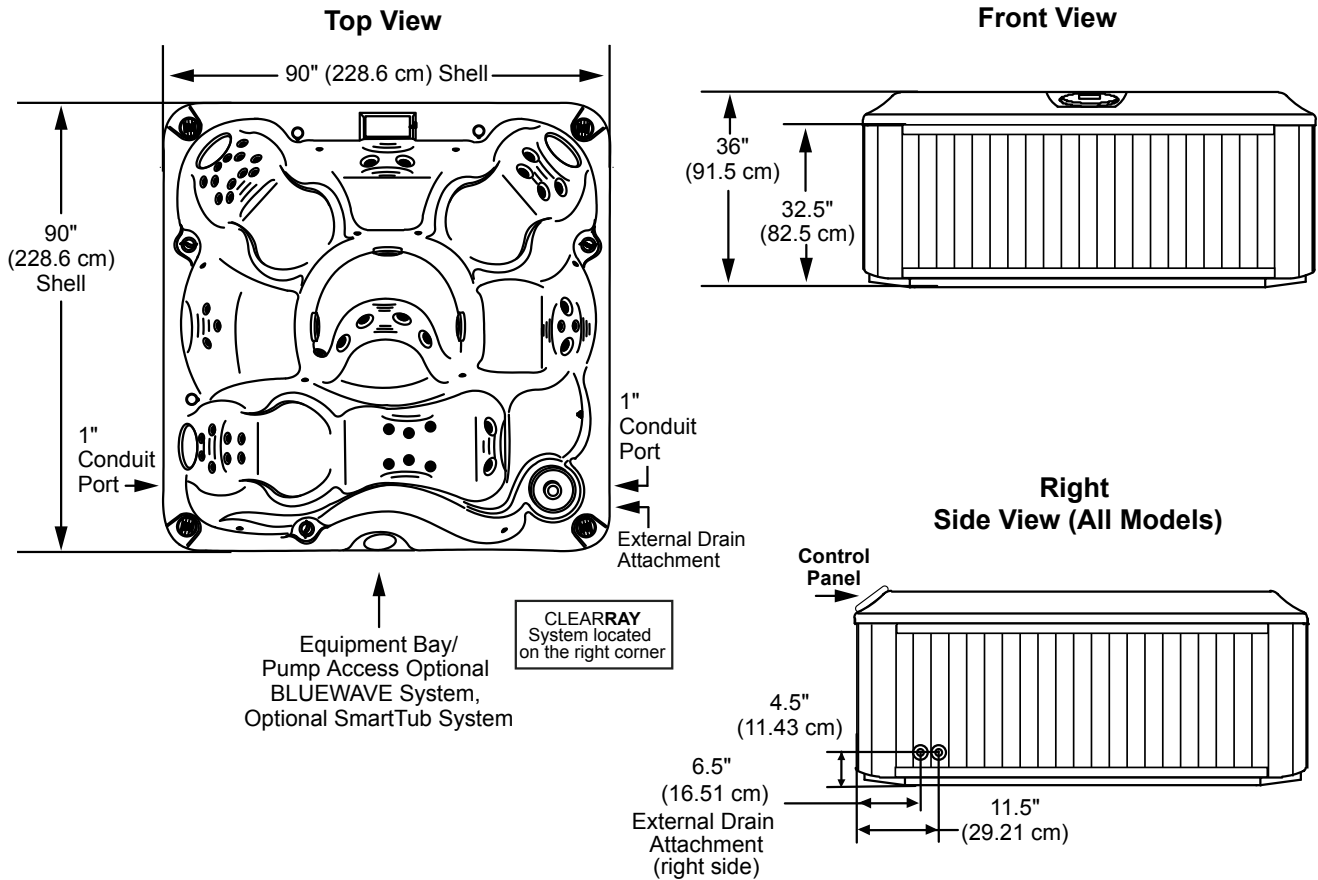
Listed dimensions represent distance from top of acrylic to lowest point in seat. Tolerance $\pm 0.5"$ (1.27 cm).



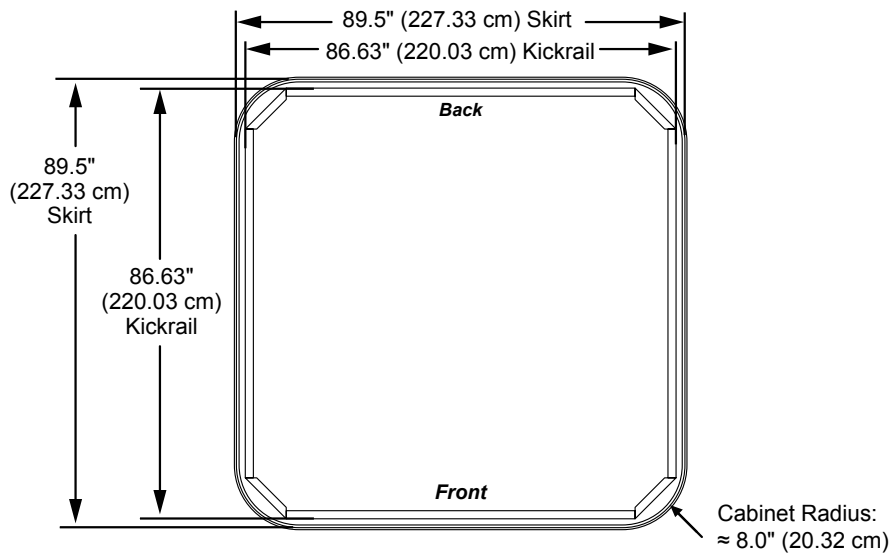
Dimensions/Specifications are Subject to Change Without Notice

Jacuzzi J-275

Dimensions



IMPORTANT! Always measure each hot tub for exact dimensions BEFORE designing its foundational support and/or decking.



Dimensions/specifications subject to change without notice. Tolerance $\pm 0.5"$ (1.27 cm)

Jacuzzi J-245

Specifications

Seating Capacity	6-7 Adults
Dimensions	84" x 84" x 36" (213.5 cm x 213.5 cm x 91.5 cm); For Complete Dimensions, See page 98
Dry Weight	827 lbs (375 kg)
Filled Weight (Spa Volume)	4,747 lbs (2,153 kg)
Filled Weight (Average Fill)	3,829 lbs (1,737 kg)
Water Capacity (Spa Volume) ...	470 US gallons (1,779 Liters)
Water Capacity (Average Fill) ...	360 US gallons (1,363 Liters)
Electronic Controls	Solid state electronic controls with LED readout, programmable temperature, filtration, and heat cycles
Pump 1	North America (60 Hz): 2-Speed, 4.5 HP brake, 2.5 HP continuous, 56 Frame
Export (50 Hz):	2-Speed, 2.0 HP continuous
Pump 2	North America (60 Hz): 1-Speed, 4.8 HP brake, 2.5 HP continuous, 56 Frame
Export (50 Hz):	1-Speed, 2.0 HP continuous
Circulation Pump	No
Total Jets	35
Seat A	2 Classic PRO Directional, 2 Classic PRO Mini Duo Rotator
Seat B	1 Classic PRO Power Multiport
Seat C	2 Classic PRO Power Rotator, 2 Classic PRO Pulsating, 4 Classic PRO Accu-Pressure
Seat D	2 Classic PRO Power Rotopulse
Seat E	2 Classic PRO Duo Rotator, 4 Classic PRO Accu-Pressure
Seat F	2 Classic PRO Power Rotator, 4 Classic PRO Accu-Pressure
Footwell (G)	8 Classic PRO Accu-Pressure
Massage Selectors	None
Air Controls	3
Water Management System	One 50 ft ² filter cartridge on jets pump 1, Factory installed CLEARRAY® Water Purification System
Export (50 Hz):	Factory installed CLEARRAY® Water Purification System
LED Lighting	Classic lighting package of 10 LED lights
Synthetic Cabinet Colors	Silverwood, Roasted Chestnut, Brazilian Teak
Acrylic Colors	Platinum, Silver Pearl, Sahara, Opal, Desert Sand, Monaco, Midnight, Caribbean Surf, Sandstone, Porcelain
Headrests	4
Electrical Requirements:	North America (60 Hz): 240 VAC@40A, 50A or 60A Export (50 Hz): 230-240 VAC@20A, 30A or 40A, or suitably rated circuit breaker to comply with local electrical codes. Certain countries may require dual power inputs; two GFCI RCD breakers are required for this configuration.
Warranty*	North America (60 Hz): 5 Years Shell, 3 Years Shell Surface, 3 Years Plumbing Component Leaks, 3 Years Equipment and Controls, 1 Year Cabinet, 1 Year Jets, 1 Year Stereo Export (50 Hz): 5 Years Shell, 3 Years Shell Surface, 3 Years Plumbing Component Leaks, 3 Years Equipment and Controls, 1 Year Cabinet, 1 Year Jets, 2 Years Stereo
Special Features (Optional)	SmartTub™ Module
Audio System (Optional)	BLUEWAVE® Spa Stereo System (Bluetooth/Aux compatible only) with four speakers



*(See Warranty Document for Specific Details)

Dimensions/Specifications are Subject to Change Without Notice

Jacuzzi J-245

Massage Selector/Air Control Diagram



35 Total Jets



Classic PRO Accu-Pressure Jets (20)



Classic PRO Pulsating Jets (2)



Classic PRO Mini Duo Rotator Jets (2)



Classic PRO Duo Rotator Jets (2)



Classic PRO Directional Jets (2)



Classic PRO Power Rotator Jets (4)



Classic PRO Power Rotor Jet (2)



Classic PRO Power Multiport Jet (1)

Spa Operation Subject to Change without Notice

Seat Depths

A = 25.75" (65.4 cm)

B = 25.00" (63.5 cm)

C = 26.50" (67.3 cm)

D = 22.00" (55.9 cm)

E = 25.25" (64.1 cm)

F = 26.50" (67.3 cm)

G = 16.00" (40.6 cm)

H = 32.00" (81.3 cm)

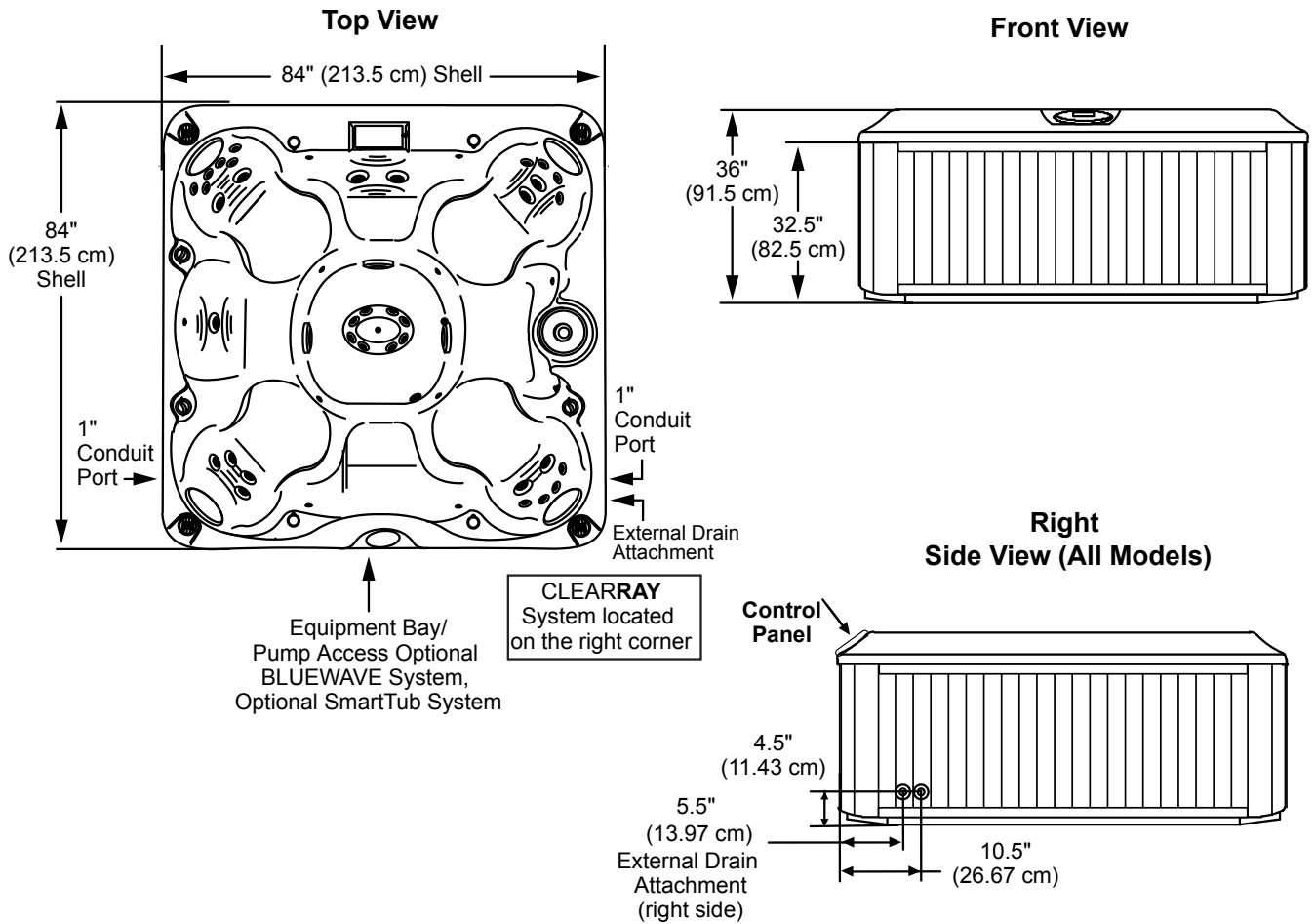
Listed dimensions represent distance from top of acrylic to lowest point in seat. Tolerance $\pm 0.5"$ (1.27 cm).



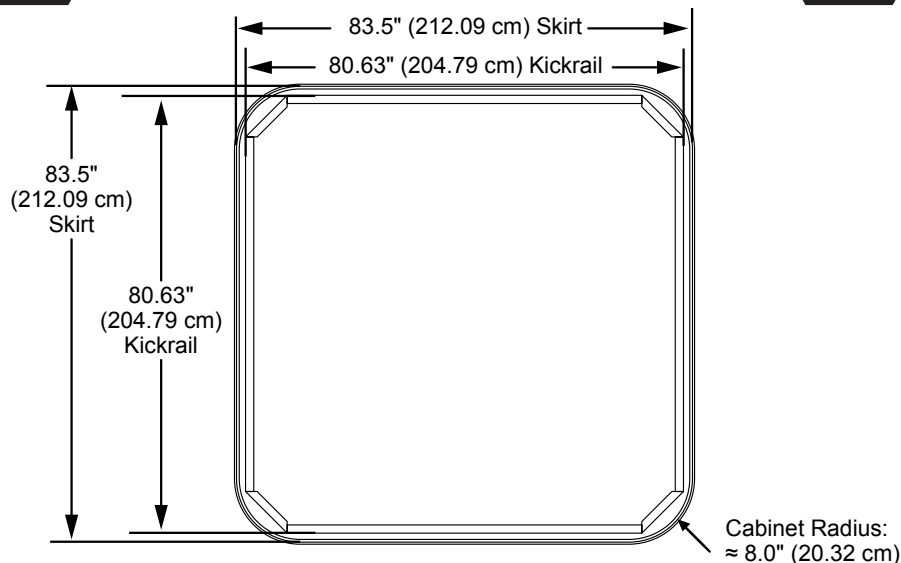
Dimensions/Specifications are Subject to Change Without Notice

Jacuzzi J-245

Dimensions



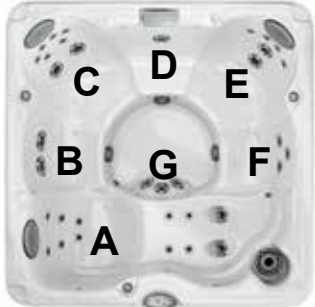
IMPORTANT! Always measure each hot tub for exact dimensions BEFORE designing its foundational support and/or decking.



Dimensions/specifications subject to change without notice. Tolerance $\pm 0.5"$ (1.27 cm)

Jacuzzi J-235

Specifications

Seating Capacity	6 Adults	
Dimensions	84" x 84" x 36" (213.5 cm x 213.5 cm x 91.5 cm); For Complete Dimensions, See page 98	
Dry Weight	718 lbs (326 kg)	
Filled Weight (Spa Volume)	4,554 lbs (2,066 kg)	
Filled Weight (Average Fill)	3,720 lbs (1,688 kg)	
Water Capacity (Spa Volume)	460 US gallons (1,741 Liters)	
Water Capacity (Average Fill)	360 US gallons (1,363 Liters)	
Electronic Controls	Solid state electronic controls with LED readout, programmable temperature, filtration, and heat cycles	
Pump 1	North America (60 Hz): 2-Speed, 4.5 HP brake, 2.5 HP continuous, 56 Frame Export (50 Hz):.....2-Speed, 2.0 HP continuous	
Pump 2	North America (60 Hz): 1-Speed, 4.8 HP brake, 2.5 HP continuous, 56 Frame Export (50 Hz):.....1-Speed, 2.0 HP continuous	
Circulation Pump	No	
Total Jets	35	
Seat A Jets	2 Classic PRO Directional, 4 Classic PRO Pulsating, 6 Classic PRO Accu-Pressure	
Seat B Jets	2 Classic PRO Power Rotopulse	
Seat C Jets	2 Classic PRO Power Rotator, 2 Classic PRO Pulsating, 4 Classic PRO Accu-Pressure	
Seat D Jets	1 Classic PRO Power Multiport	
Seat E Jets	2 Classic PRO Duo Rotator, 4 Classic PRO Accu-Pressure	
Seat F Jets	2 Classic PRO Power Multiport, 1 Classic PRO Duo Rotator	
Footwell (G)	3 Classic PRO Directional	
Massage Selectors	None	
Air Controls	3	
Water Management System	One 50 ft ² filter cartridge on jets pump 1, Factory installed CLEARRAY® Water Purification System Export (50 Hz):.....Factory installed CLEARRAY® Water Purification System	
LED Lighting	Classic lighting package of 10 LED lights	
Synthetic Cabinet Colors	Silverwood, Roasted Chestnut, Brazilian Teak	
Acrylic Colors	Platinum, Silver Pearl, Sahara, Opal, Desert Sand, Monaco, Midnight, Caribbean Surf, Sandstone, Porcelain	
Headrests	3	
Electrical Requirements:	North America (60 Hz): 240 VAC@40A, 50A or 60A Export (50 Hz): 230-240 VAC@20A, 30A or 40A, or suitably rated circuit breaker to comply with local electrical codes. Certain countries may require dual power inputs; two GFCI RCD breakers are required for this configuration.	
Warranty*	North America (60 Hz): 5 Years Shell, 3 Years Shell Surface, 3 Years Plumbing Component Leaks, 3 Years Equipment and Controls; 1 Year Cabinet, 1 Year Jets, 1 Year Stereo Export (50 Hz): 5 Years Shell, 3 Years Shell Surface, 3 Years Plumbing Component Leaks, 3 Years Equipment and Controls, 1 Year Cabinet, 1 Year Jets, 2 Years Stereo	
Special Features (Optional)	SmartTub™ Module	
Audio System (Optional)	BLUEWAVE® Spa Stereo System (Bluetooth/Aux compatible only) with four speakers	

*(See Warranty Document for Specific Details)

Dimensions/Specifications are Subject to Change Without Notice

Jacuzzi J-235

Massage Selector/Air Control Diagram



Air Control 2:
Opens/Closes
Air Inlet to Jet
Group B

Air Control 3:
Opens/Closes
Air Inlet to Jet
Group C

Waterfall can be
turned off at the
waterfall. Flow
valve on side of
waterfall.

Group A Jets are
always on when
Pump 1 is running.

Group B and C Jets
are always on when
Pump 2 is running.

Air Control 1:
Opens/Closes
Air Inlet to Jet
Group A

35 Total Jets



Classic
PRO
Accu-
Pressure
Jets (14)



Classic
PRO
Pulsating
Jets (6)



Classic
PRO Duo
Rotator
Jets (3)



Classic
PRO
Directional
Jets (5)



Classic
PRO
Power
Rotator
Jet (2)



Classic
PRO
Power
Rotopulse
Jet (2)



Classic
PRO
Power
Multiport
Jet (3)

Spa Operation Subject to Change without Notice

Seat Depths

A = 25.75" (65.4 cm)

B = 25.00" (63.5 cm)

C = 26.50" (67.3 cm)

D = 22.00" (55.9 cm)

E = 25.25" (64.1 cm)

F = 24.00" (60.9 cm)

G = 32.00" (81.3 cm)

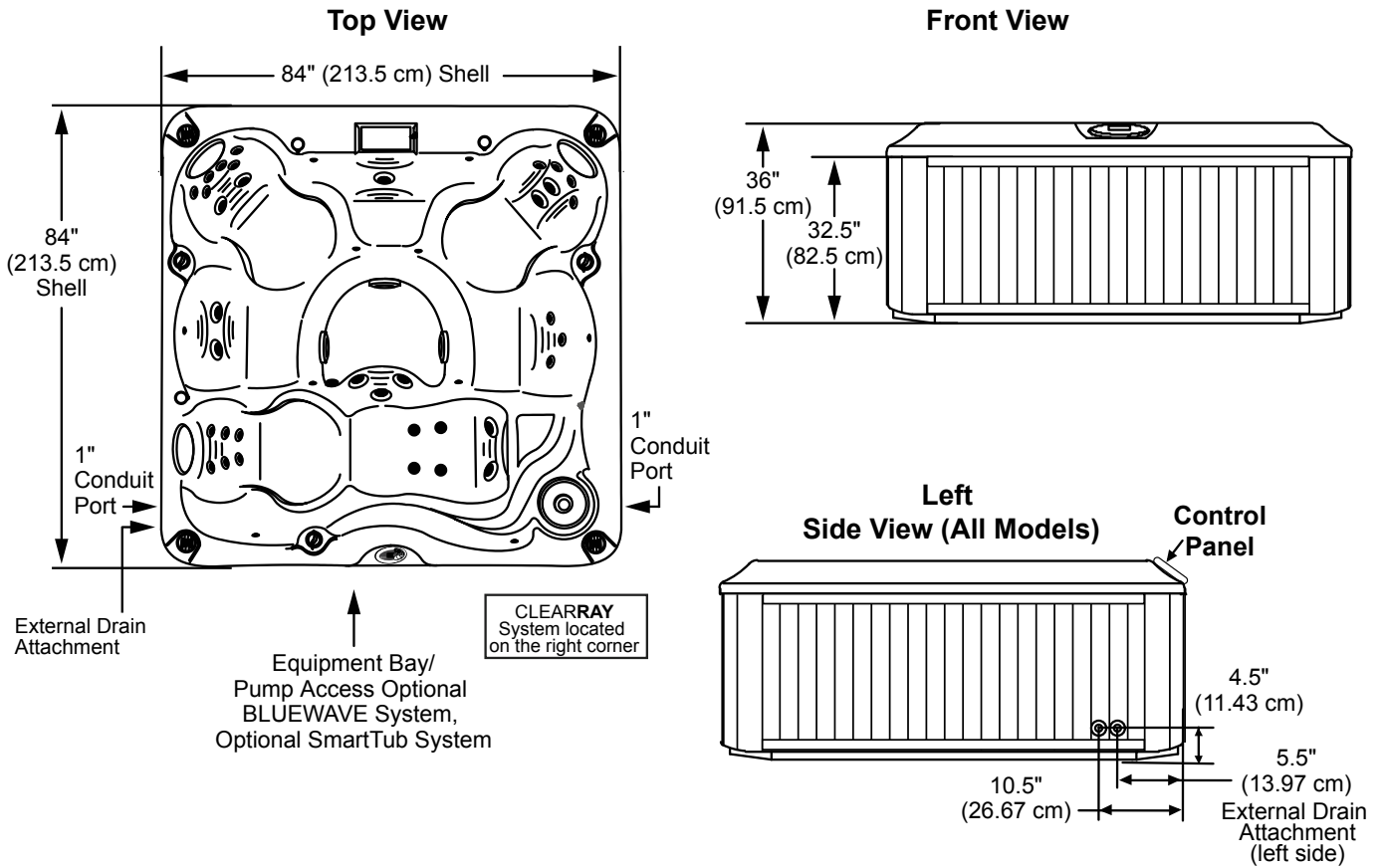
Listed dimensions
represent distance from
top of acrylic to lowest
point in seat. Tolerance
± 0.5" (1.27 cm).



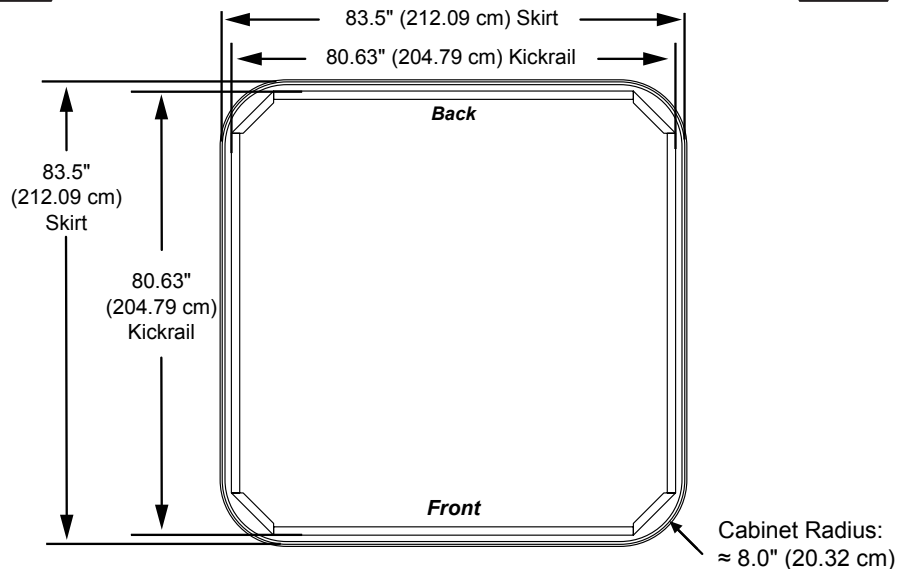
Dimensions/Specifications are Subject to Change Without Notice

Jacuzzi J-235

Dimensions




IMPORTANT! Always measure each hot tub for exact dimensions BEFORE designing its foundational support and/or decking.



Dimensions/specifications subject to change without notice. Tolerance $\pm 0.5"$ (1.27 cm)

Jacuzzi J-225

Specifications

Seating Capacity	4-5 Adults	
Dimensions	84" x 76" x 34.5" (213 cm x 193 cm x 87 cm); For Complete Dimensions, See page 98	
Dry Weight	562 lbs (255 kg)	
Filled Weight (Spa Volume)	4,219 lbs (1,914 kg)	
Filled Weight (Average Fill)	3,517 lbs (1,596 kg)	
Water Capacity (Spa Volume) ...	438 US gallons (1,658 Liters)	
Water Capacity (Average Fill) ...	354 US gallons (1,340 Liters)	
Electronic Controls	Solid state electronic controls with LED readout, programmable temperature, filtration, and heat cycles	
Pump 1	North America (60 Hz): 2-Speed, 2.5 HP brake, 1.5 HP continuous, 48 Frame	
Export (50 Hz):	2-Speed, 2.0 HP continuous	
Circulation Pump	No	
Total Jets	23	
Seat A Jets	3 Classic Mini	
Seat B Jets	6 Classic Mini	
Seat C Jets	4 Classic Direct, 2 Classic Luxury	
Seat D Jets	4 Classic Rotational	
Footwell (E)	4 Classic Euro	
Massage Selectors	None	
Air Controls	4	
Water Management System	One 50 ft ² filter cartridge on jets pump 1, Factory installed CLEARRAY® Water Purification System	
Export (50 Hz):	Factory installed CLEARRAY® Water Purification System	
LED Lighting	6 LED bullet lights (4 above water; 2 underwater)	
Synthetic Cabinet Colors	Silverwood, Roasted Chestnut, Brazilian Teak	
Acrylic Colors	Platinum, Silver Pearl, Sahara, Desert Sand, Monaco, Midnight, Caribbean Surf, Sandstone, Porcelain, Opal	
Headrests	3	
Electrical Requirements:	North America (60 Hz): 120V@15A (GFCI cord) 240 VAC@30A or 40A Export (50 Hz): 230-240 VAC@20A or 30A, or suitably rated circuit breaker to comply with local electrical codes. Certain countries may require dual power inputs; two GFCI RCD breakers are required for this configuration.	
Warranty*	North America (60 Hz): 5 Years Shell, 3 Years Shell Surface, 3 Years Plumbing Component Leaks, 3 Years Equipment and Controls; 1 Year Cabinet, 1 Year Jets, 1 Year Stereo Export (50 Hz): 5 Years Shell, 3 Years Shell Surface, 3 Years Plumbing Component Leaks, 3 Years Equipment and Controls, 1 Year Cabinet, 1 Year Jets, 2 Years Stereo	
Special Features (Optional)	SmartTub™ Module	
Audio System (Optional)	BLUEWAVE® Spa Stereo System (Bluetooth/Aux compatible only) with four speakers	

*(See Warranty Document for Specific Details)

Dimensions/Specifications are Subject to Change Without Notice

Jacuzzi J-225

Massage Selector/Air Control Diagram



Jets and waterfall
are always on when
the Jets Pump 1 is
running.

23 Total Jets



Spa Operation Subject to Change without Notice

Seat Depths

- A = 25.50" (64.7 cm)**
- B = 27.50" (69.9 cm)**
- C = 27.50" (69.9 cm)**
- D = 27.40" (69.6 cm)**
- E = 30.25" (76.8 cm)**

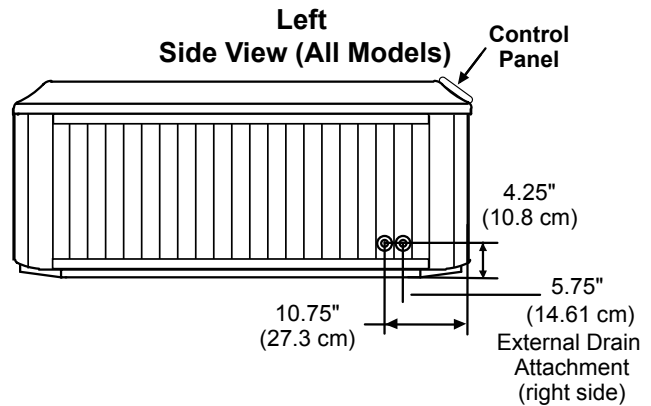
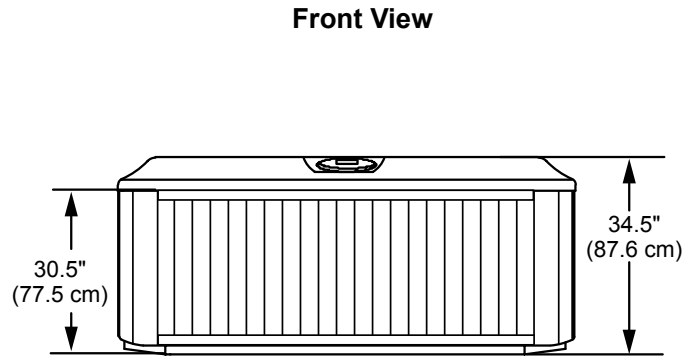
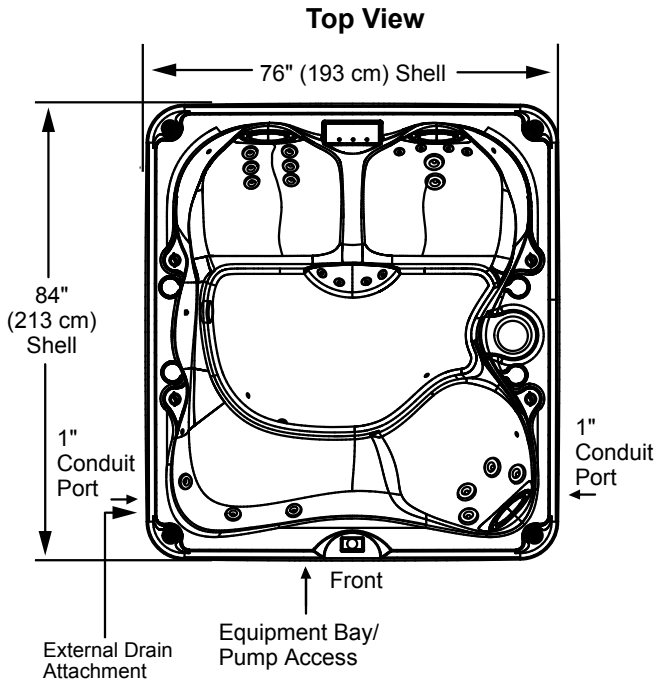
Listed dimensions
represent distance from
top of acrylic to lowest
point in seat. Tolerance
 $\pm 0.5"$ (1.27 cm).



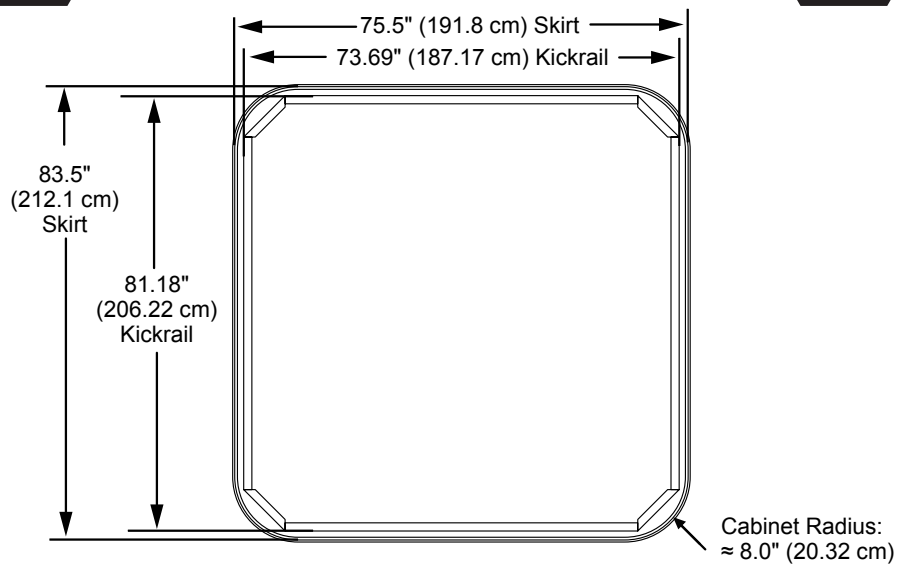
Dimensions/Specifications are Subject to Change Without Notice

Jacuzzi J-225

Dimensions



IMPORTANT! Always measure each hot tub for exact dimensions BEFORE designing its foundational support and/or decking.

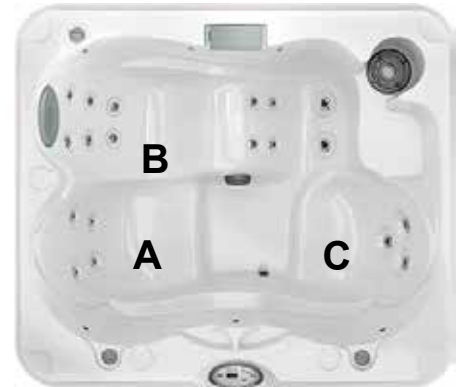


Dimensions/specifications subject to change without notice. Tolerance $\pm 0.5"$ (1.27 cm)

Jacuzzi J-215

Specifications

Seating Capacity	2-3 Adults
Dimensions	66" x 76" x 32" (168 cm x 193 cm x 81 cm); For Complete Dimensions, See page 98
Dry Weight	492 lbs (223 kg)
Filled Weight (Spa Volume)	2,780 lbs (1,261 kg)
Filled Weight (Average Fill)	2,329 lbs (1,056 kg)
Water Capacity (Spa Volume) ...	274 US gallons (1,037 Liters)
Water Capacity (Average Fill) ...	220 US gallons (833 Liters)
Electronic Controls	Solid state electronic controls with LED readout, programmable temperature, filtration, and heat cycles
Pump 1	North America (60 Hz): 2-Speed, 2.5 HP brake, 1.5 HP continuous, 48 Frame Export (50 Hz): 2-Speed, 2.0 HP continuous
Circulation Pump	No
Total Jets	19
Seat A Jets	4 Classic Direct
Seat B Jets	6 Classic Euro, 4 Classic Pulsator, 2 Classic Rotational
Seat C Jets	4 Classic Mini
Massage Selectors	None
Air Controls	3
Water Management System	One 50 ft ² filter cartridge on jets pump 1, Factory installed CLEARRAY® Water Purification System Export (50 Hz): Factory installed CLEARRAY® Water Purification System
LED Lighting	6 LED bullet lights (4 above water; 2 underwater)
Synthetic Cabinet Colors	Silverwood, Roasted Chestnut, Brazilian Teak
Acrylic Colors	Platinum, Silver Pearl (Gypsum), Desert Sand, Monaco, Opal, Midnight, Caribbean Surf, Sahara, Sandstone, Porcelain
Headrests	1
Electrical Requirements:	North America (60 Hz): 120V@15A (GFCI cord) 240 VAC@30A or 40A Export (50 Hz): 230-240 VAC@20A or 30A, or suitably rated circuit breaker to comply with local electrical codes. Certain countries may require dual power inputs; two GFCI RCD breakers are required for this configuration.
Warranty*	North America (60 Hz): 5 Years Shell, 3 Years Shell Surface, 3 Years Plumbing Component Leaks, 3 Years Equipment and Controls; 1 Year Cabinet, 1 Year Jets, 1 Year Stereo Export (50 Hz): 5 Years Shell, 3 Years Shell Surface, 3 Years Plumbing Component Leaks, 3 Years Equipment and Controls, 1 Year Cabinet, 1 Year Jets, 2 Years Stereo
Special Features (Optional)	SmartTub™ Module
Audio System (Optional)	BLUEWAVE® Spa Stereo System (Bluetooth/Aux compatible only) with four speakers



*(See Warranty Document for Specific Details)

Dimensions/Specifications are Subject to Change Without Notice

Jacuzzi J-215

Massage Selector/Air Control Diagram

Air Control 2:
Opens/Closes
Air Inlet to Jets B



Jets and waterfall are always on when the Jets Pump 1 is running.

Air Control 1:
Opens/Closes
Air Inlet to Jets A

Air Control 3:
Opens/Closes
Air Inlet to Jets C

19 Total Jets



Classic Euro Jets (6)



Classic Direct Jets (4)



Classic Pulsator Jets (4)



Classic Mini Jets (3)



Classic Rotational Jets (2)

Spa Operation Subject to Change without Notice

Seat Depths

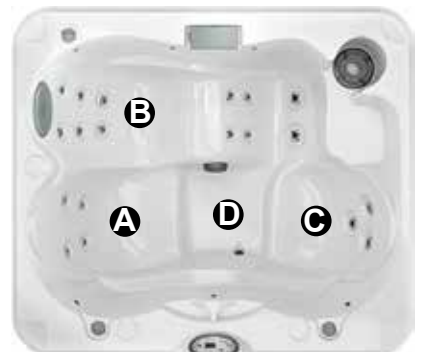
A = 28.25" (71.8 cm)

B = 27.00" (68.6 cm)

C = 27.50" (69.9 cm)

D = 28.70" (73.2 cm)

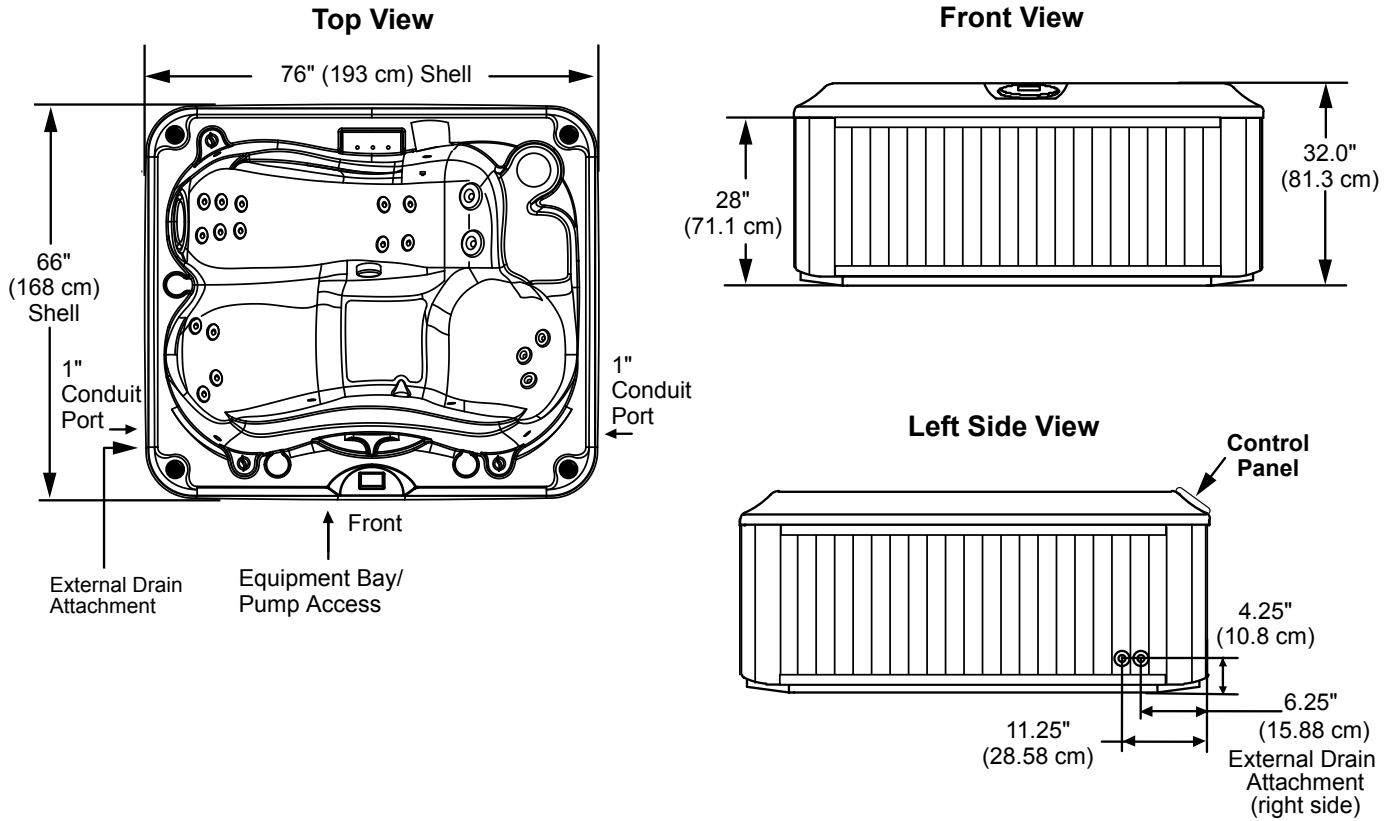
Listed dimensions represent distance from top of acrylic to lowest point in seat. Tolerance $\pm 0.5"$ (1.27 cm).



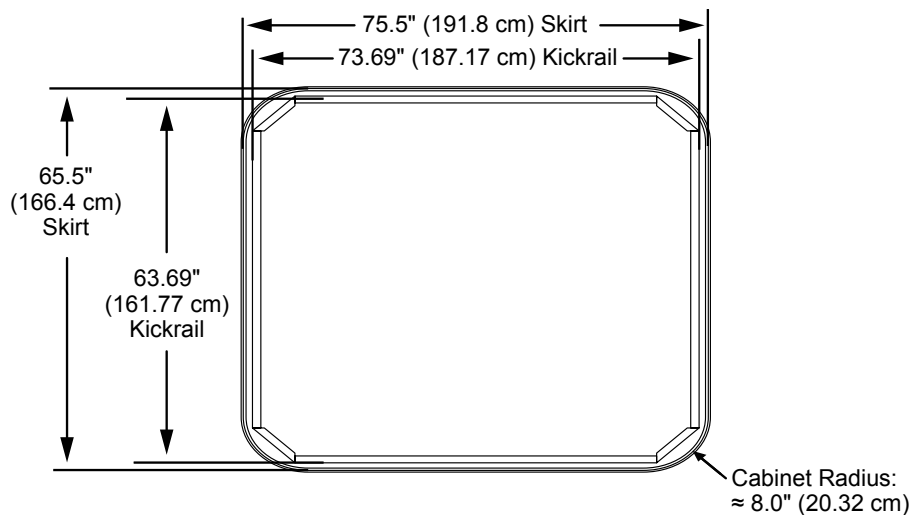
Dimensions/Specifications are Subject to Change Without Notice

Jacuzzi J-215

Dimensions



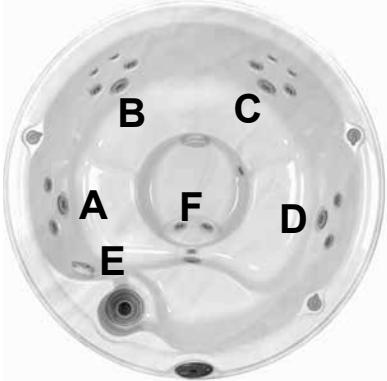
IMPORTANT! Always measure each hot tub for exact dimensions BEFORE designing its foundational support and/or decking.



Dimensions/specifications subject to change without notice. Tolerance $\pm 0.5"$ (1.27 cm)

Jacuzzi J-210

Specifications

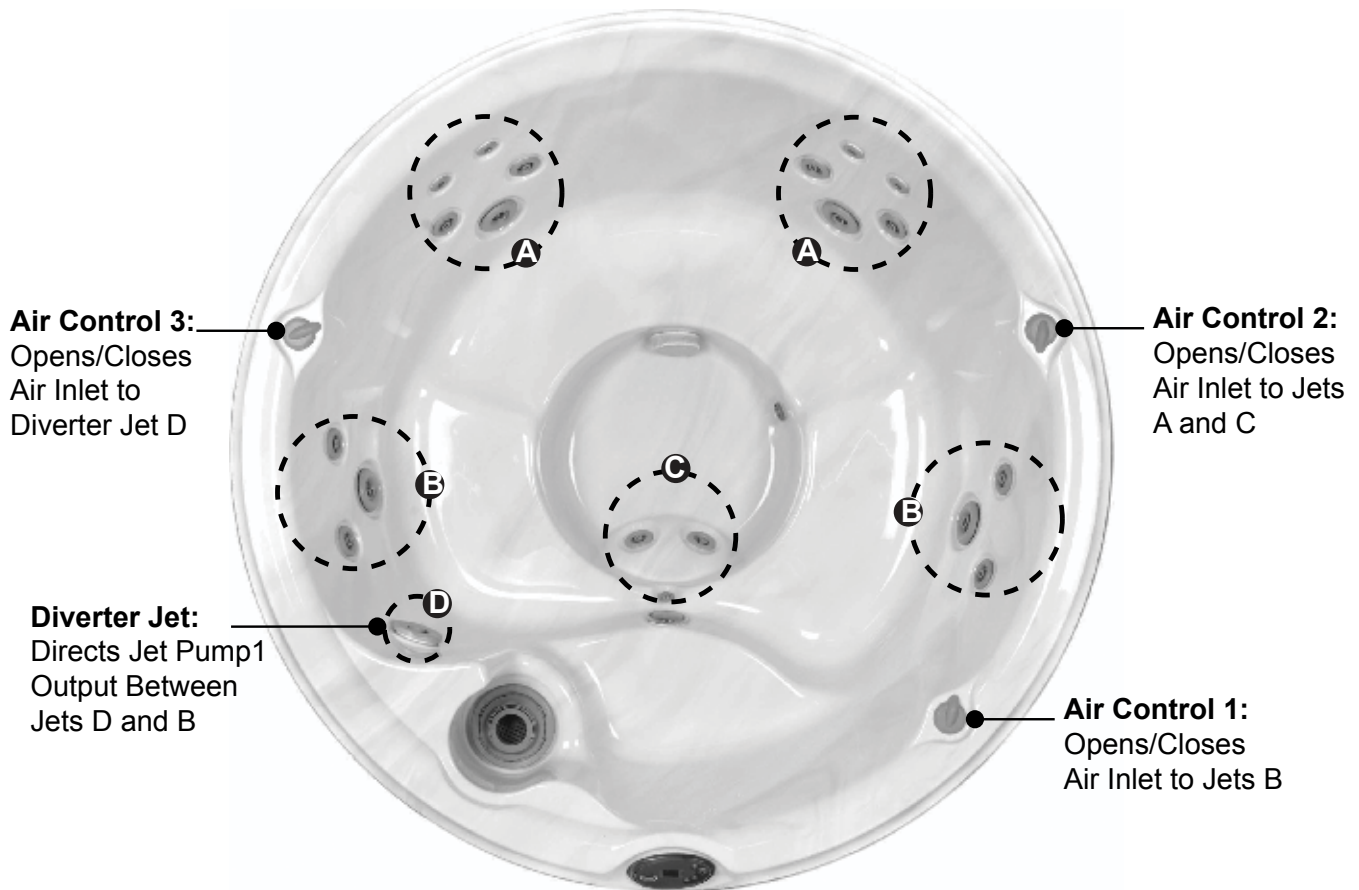
Seating Capacity	4 Adults	
Dimensions	78" Round x 36" Deep (198 cm Round x 91.5 cm); For Complete Dimensions, See page 98	
Dry Weight	527 lbs (239 kg)	
Filled Weight (Spa Volume)	3,112 lbs (1,412 kg)	
Filled Weight (Average Fill)	2,529 lbs (1,147 kg)	
Water Capacity (Spa Volume) ...	310 US gallons (1,173 Liters)	
Water Capacity (Average Fill) ...	240 US gallons (908 Liters)	
Electronic Controls	Solid state electronic controls with LED read-out, programmable temperature, filtration, and heat cycles	
Pump 1	North America (60 Hz): 2-Speed, 2.5 HP brake, 1.5 HP continuous; 48 Frame Export (50 Hz): 2-Speed, 2.0 HP continuous	
Total Jets	19	
Seat A	2 Classic Mini, 1 Classic Luxury	
Seat B	2 Classic Direct, 2 Classic Mini, 1 Classic Luxury	
Seat C	2 Classic Direct, 2 Classic Mini, 1 Classic Luxury	
Seat D	2 Classic Mini, 1 Classic Luxury	
Diverter Jet (E)	1	
Footwell (F)	2 Classic Mini	
Air Controls	3	
Water Management System	One 50 ft ² filter cartridge; Factory installed CLEARRAY® Water Purification System Export (50 Hz): Factory installed CLEARRAY® Water Purification System	
Lighting	Underwater multi-color LED lights	
Synthetic Cabinet Colors	Silverwood, Roasted Chestnut, Brazilian Teak	
Acrylic Colors	Platinum, Silver Pearl (Gypsum), Desert Sand, Monaco, Opal, Midnight, Caribbean Surf, Sahara, Sandstone, Porcelain	
Electrical Requirements:	North America (60 Hz): 120 VAC@15A or 240 VAC@30A or 40A, Export (50 Hz): 230 VAC@20A or 30A, or suitably rated circuit breaker to comply with local electrical codes. Certain countries may require dual power inputs; two GFCI RCD Breakers are required for this configuration.	
Warranty*	North America (60 Hz): 5 Years Shell, 3 Years Shell Surface, 3 Years Plumbing Component Leaks, 3 Years Equipment and Controls, 1 Year Cabinet, 1 Year Jets Export (50 Hz): 5 Years Shell, 3 Years Shell Surface, 3 Years Plumbing Component Leaks, 3 Years Equipment and Controls, 1 Year Cabinet, 1 Year Jets	
Special Features (Optional)	SmartTub™ Module	
Audio System (Optional)	N/A	

*(See Warranty Document for Specific Details)

Dimensions/Specifications are Subject to Change Without Notice

Jacuzzi J-210

Massage Selector/Air Control Diagram



- **Jets A and C are Powered Continuously when Jets Pump 1 is running**

19 Total Jets

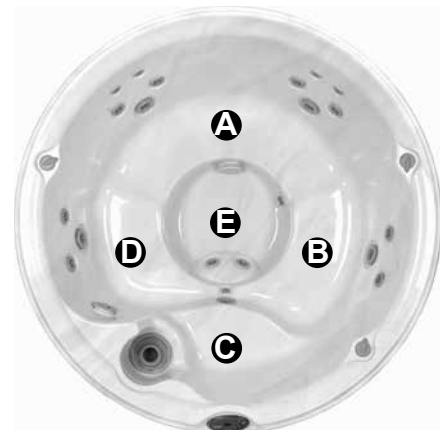


Spa Operation Subject to Change without Notice

Seat Depths

- A = 27.00" (68.6 cm)**
- B = 24.50" (62.2 cm)**
- C = 16.50" (41.9 cm)**
- D = 24.50" (62.2 cm)**
- E = 34.00" (86.4 cm)**

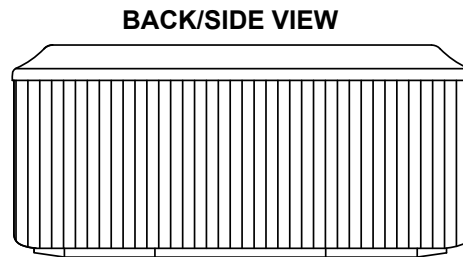
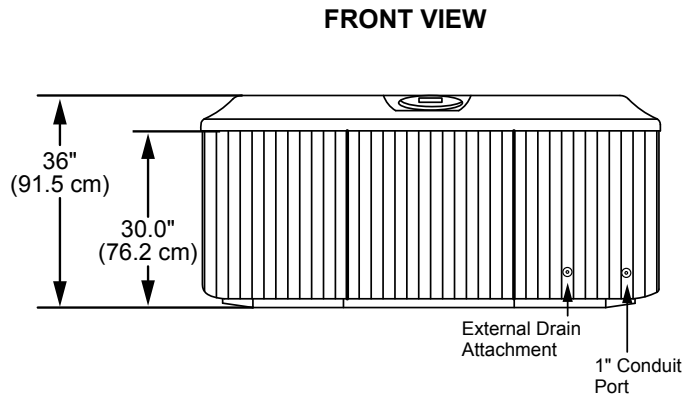
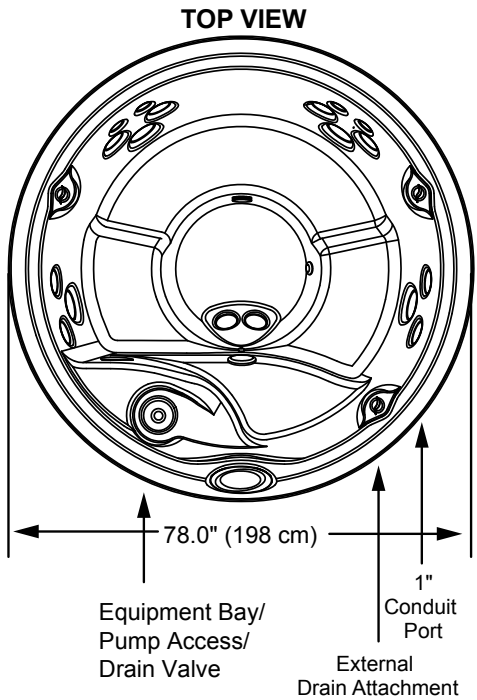
Listed Dimensions Represent
Distance from Top of Acrylic
to Lowest Point in Seat.
Tolerance $\pm 0.5"$ (1.27 cm).



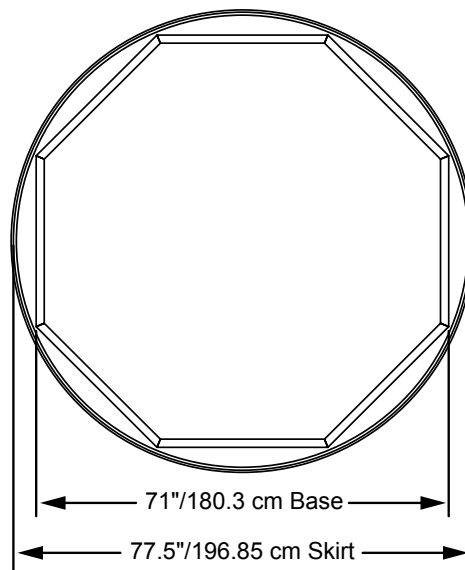
Dimensions/Specifications are Subject to Change Without Notice

Jacuzzi J-210

Dimensions



IMPORTANT! Always measure each hot tub for exact dimensions BEFORE designing its foundational support and/or decking.



Dimensions/specifications subject to change without notice. Tolerance $\pm 0.5"$ (1.27 cm)

Jacuzzi J-145

Specifications

Seating Capacity.....	6-7 Adults
Dimensions	84" x 84" x 36" (213.5 cm x 213.5 cm x 91.5 cm); For Complete Dimensions, See page 99
Dry Weight.....	827 lbs (375 kg)
Filled Weight (Spa Volume)	4,747 lbs (2,153 kg)
Filled Weight (Average Fill).....	3,829 lbs (1,737 kg)
Water Capacity (Spa Volume) ...	470 US gallons (1,779 Liters)
Water Capacity (Average Fill) ...	360 US gallons (1,363 Liters)
Electronic Controls	Solid state electronic controls with LED readout, programmable temperature, filtration, and heat cycles
Pump 1.....	North America (60 Hz): 2-Speed, 4.5 HP brake, 2.5 HP continuous, 56 Frame Export (50 Hz): 2-Speed, 2.0 HP continuous
Pump 2.....	North America (60 Hz): 1-Speed, 4.8 HP brake, 2.5 HP continuous, 56 Frame Export (50 Hz): 1-Speed, 2.0 HP continuous
Circulation Pump.....	No
Total Jets	35
Seat A Jets	4 Classic Luxury
Seat B Jets	1 Classic Luxury
Seat C Jets	6 Classic Euro, 2 Classic Luxury
Seat D Jets	2 Classic Turbo
Seat E Jets	4 Classic Euro, 2 Classic Luxury
Seat F Jets.....	4 Classic Direct, 2 Classic Mini
Footwell (G).....	8 Classic Euro
Massage Selectors	None
Air Controls.....	3
Water Management System	One 50 ft ² filter cartridge on jets pump 1
LED Lighting	Classic LED lighting package of 6 lights
Synthetic Cabinet Colors	Silverwood and Roasted Chestnut
Acrylic Colors	Platinum and Silver Pearl
Headrests	4
Electrical Requirements:	North America (60 Hz): 240 VAC@40A/50A or 60A Export (50 Hz): 230-240 VAC@20A/30A or 40A, or suitably rated circuit breaker to comply with local electrical codes. Certain countries may require dual power inputs; two GFCI RCD breakers are required for this configuration.
Warranty*.....	North America (60 Hz): 5 Years Shell, 2 Years Shell Surface, 2 Years Plumbing Component Leaks, 2 Years Equipment and Controls; 1 Year Cabinet, 1 Year Jets Export (50 Hz): 5 Years Shell, 2 Years Shell Surface, 2 Years Plumbing Component Leaks, 2 Years Equipment and Controls, 1 Year Cabinet, 1 Year Jets
Audio System (Optional).....	Not Available



*(See Warranty Document for Specific Details)

Dimensions/Specifications are Subject to Change Without Notice

Jacuzzi J-145

Massage Selector/Air Control Diagram



Group A, D, E, H, and J jets
always on when jets
pump 1 is running.

Group B, C, F, G, and I jets
always on when jets
pump 2 is running.

Waterfall is always
on when jets pump
1 is running, but
can be turned off
at the waterfall.

35 Total Jets



Spa Operation Subject to Change without Notice

Seat Depths

A = 25.75" (65.4 cm)
B = 25.00" (63.5 cm)
C = 26.50" (67.3 cm)
D = 22.00" (55.9 cm)
E = 25.25" (64.1 cm)
F = 26.50" (67.3 cm)

G = 16.00" (40.6 cm)
H = 32.00" (81.3 cm)

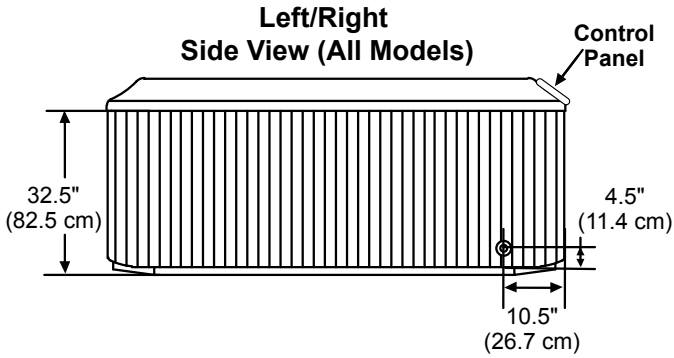
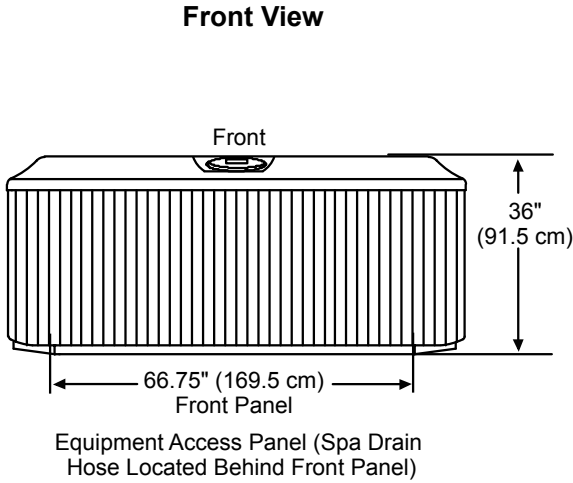
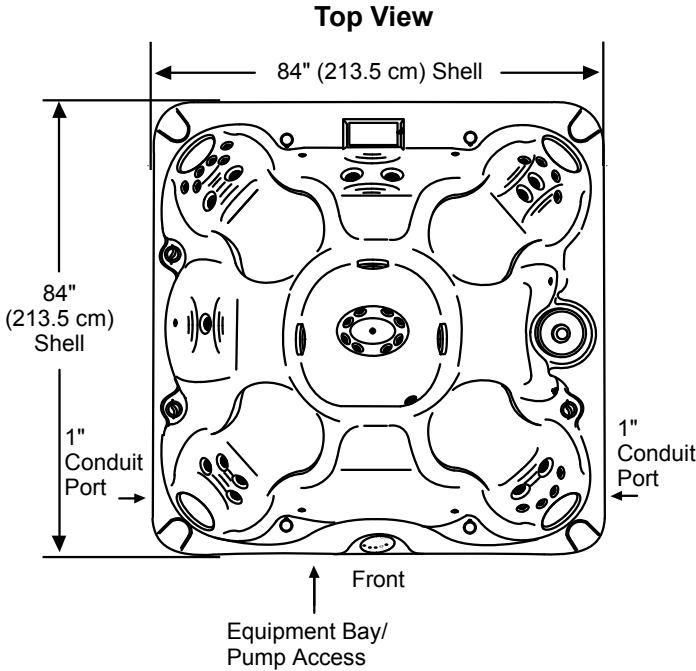
Listed dimensions
represent distance from
top of acrylic to lowest
point in seat. Tolerance
± 0.5" (1.27 cm).



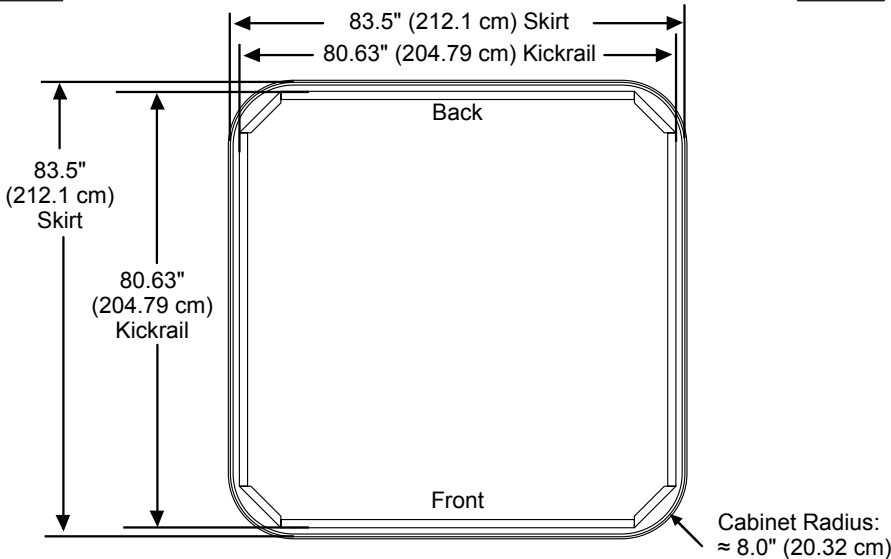
Dimensions/Specifications are Subject to Change Without Notice

Jacuzzi J-145

Dimensions



IMPORTANT! Always measure each hot tub for exact dimensions BEFORE designing its foundational support and/or decking.

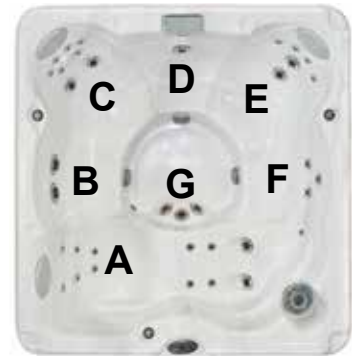


Dimensions/specifications subject to change without notice. Tolerance $\pm 0.5"$ (1.27 cm)

Jacuzzi J-135

Specifications

Seating Capacity	6 Adults
Dimensions	84" x 84" x 36" (213.5 cm x 213.5 cm x 91.5 cm); For Complete Dimensions, See page 99
Dry Weight	718 lbs (326 kg)
Filled Weight (Spa Volume)	4,554 lbs (2,066 kg)
Filled Weight (Average Fill)	3,720 lbs (1,688 kg)
Water Capacity (Spa Volume) ...	460 US gallons (1,741 Liters)
Water Capacity (Average Fill) ...	360 US gallons (1,363 Liters)
Electronic Controls	Solid state electronic controls with LED readout, programmable temperature, filtration, and heat cycles
Pump 1	North America (60 Hz): 2-Speed, 4.5 HP brake, 2.5 HP continuous, 56 Frame Export (50 Hz): 2-Speed, 2.0 HP continuous
Pump 2	North America (60 Hz): 1-Speed, 4.8 HP brake, 2.5 HP continuous, 56 Frame Export (50 Hz): 1-Speed, 2.0 HP continuous
Circulation Pump	No
Total Jets	35
Seat A Jets	6 Classic Euro, 4 Classic Pulsator, 2 Classic Luxury
Seat B Jets	2 Classic Turbo
Seat C Jets	6 Classic Euro, 2 Classic Luxury
Seat D Jets	1 Classic Luxury
Seat E Jets	4 Classic Direct, 2 Classic Luxury
Seat F Jets	3 Classic Mini
Footwell (G)	3 Classic Luxury
Massage Selectors	None
Air Controls	3
Water Management System	One 50 ft ² filter cartridge on jets pump 1
LED Lighting	Classic LED lighting package of 6 lights
Synthetic Cabinet Colors	Silverwood and Roasted Chestnut
Acrylic Colors	Platinum and Silver Pearl
Headrests	3
Electrical Requirements:	North America (60 Hz): 240 VAC@40A/50A or 60A Export (50 Hz): 230-240 VAC@20A/30A or 40A, or suitably rated circuit breaker to comply with local electrical codes. Certain countries may require dual power inputs; two GFCI RCD breakers are required for this configuration.
Warranty*	North America (60 Hz): 5 Years Shell, 2 Years Shell Surface, 2 Years Plumbing Component Leaks, 2 Years Equipment and Controls; 1 Year Cabinet, 1 Year Jets Export (50 Hz): 5 Years Shell, 2 Years Shell Surface, 2 Years Plumbing Component Leaks, 2 Years Equipment and Controls, 1 Year Cabinet, 1 Year Jets
Audio System (Optional)	Not Available



*(See Warranty Document for Specific Details)

Dimensions/Specifications are Subject to Change Without Notice

Jacuzzi J-135

Massage Selector/Air Control Diagram



Air Control 2:
Opens/Closes
Air Inlet to Jets C

Air Control 3:
Opens/Closes
Air Inlet to
Jets E and G

Group A, B, D, and F jets
always on when jets
pump 1 is running.

Group C, E, and G jets
always on when jets
pump 2 is running.

Waterfall is always
on when jets pump
1 is running, but
can be turned off
at the waterfall.

Air Control 1:
Opens/Closes
Air Inlet to Jets
A, B, D, and F

35 Total Jets



Classic
Euro
Jets (12)



Classic
Direct
Jets (4)



Classic
Pulsator
Jets (4)



Classic
Mini
Jets (3)



Classic
Luxury
Jets (10)



Classic
Turbo
Jets (2)

Spa Operation Subject to Change without Notice

Seat Depths

A = 25.75" (65.4 cm)

G = 32.00" (81.3 cm)

Listed dimensions
represent distance from
top of acrylic to lowest
point in seat. Tolerance
 $\pm 0.5"$ (1.27 cm).

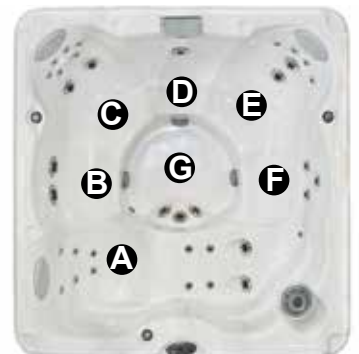
B = 25.00" (63.5 cm)

C = 26.50" (67.3 cm)

D = 22.00" (55.9 cm)

E = 25.25" (64.1 cm)

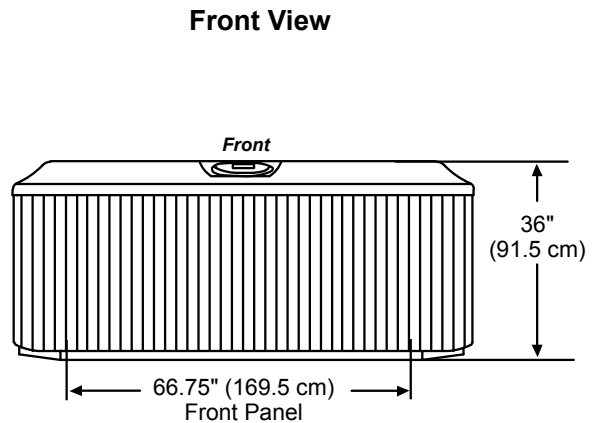
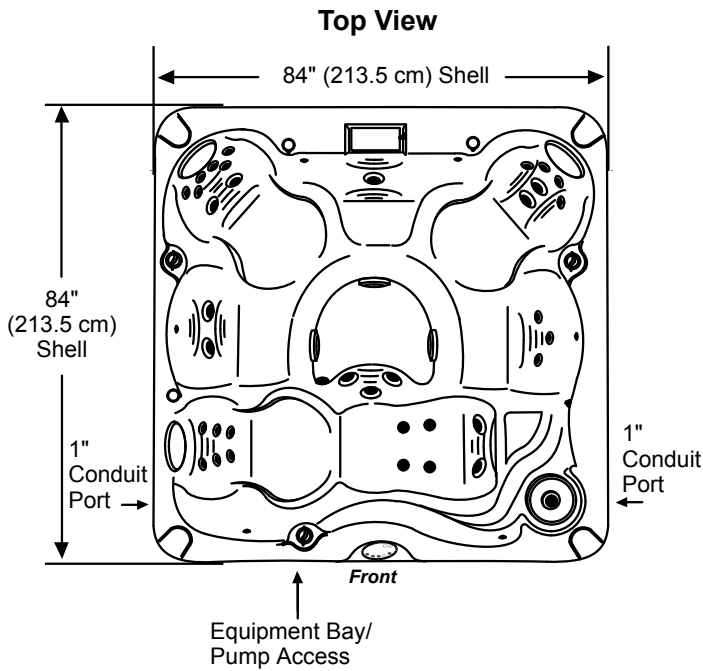
F = 24.00" (60.9 cm)



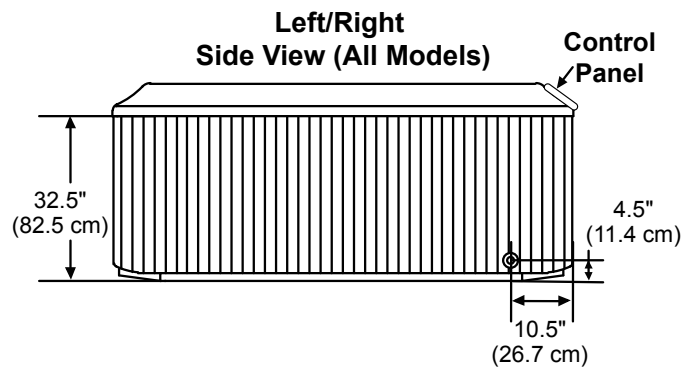
Dimensions/Specifications are Subject to Change Without Notice

Jacuzzi J-135

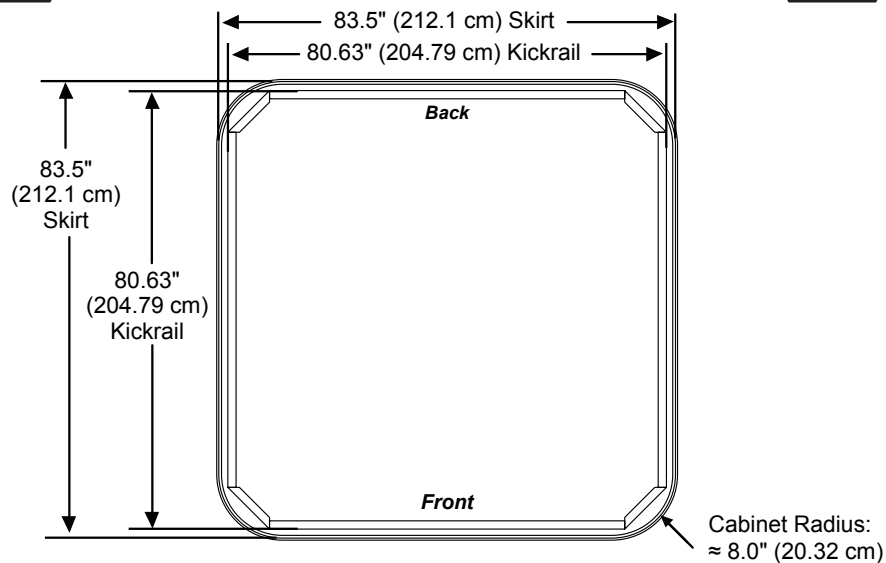
Dimensions



Equipment Access Panel (Spa Drain Hose Located Behind Front Panel)



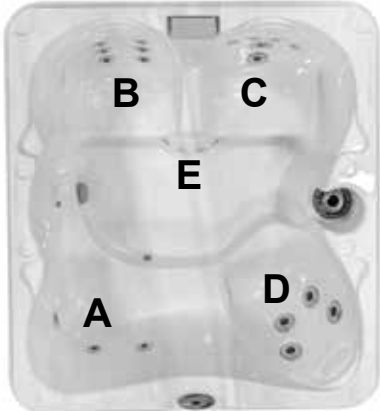
IMPORTANT! Always measure each hot tub for exact dimensions BEFORE designing its foundational support and/or decking.



Dimensions/specifications subject to change without notice. Tolerance $\pm 0.5"$ (1.27 cm)

Jacuzzi J-125

Specifications

Seating Capacity	4-5 Adults	
Dimensions	84" x 76" x 34.5" (213 cm x 193 cm x 87 cm); For Complete Dimensions, See page 99	
Dry Weight	559 lbs (254 kg)	
Filled Weight (Spa Volume)	4,216 lbs (1,912 kg)	
Filled Weight (Average Fill)	3,515 lbs (1,594 kg)	
Water Capacity (Spa Volume) ...	438 US gallons (1,658 Liters)	
Water Capacity (Average Fill) ...	354 US gallons (1,340 Liters)	
Electronic Controls	Solid state electronic controls with LED readout, programmable temperature, filtration, and heat cycles	
Pump 1	North America (60 Hz): 2-Speed, 2.5 HP brake, 1.5 HP continuous, 48 Frame	
Export (50 Hz):	2-Speed, 2.0 HP continuous	
Circulation Pump	No	
Total Jets	23	
Seat A Jets	3 Classic Mini	
Seat B Jets	6 Classic Mini	
Seat C Jets	4 Classic Direct, 2 Classic Luxury	
Seat D Jets	4 Classic Luxury	
Footwell (E)	4 Classic Euro	
Massage Selectors	None	
Air Controls	None	
Water Management System	One 50 ft ² filter cartridge on jets pump 1	
LED Lighting	2 LED bullet lights (underwater)	
Synthetic Cabinet Colors	Silverwood and Roasted Chestnut	
Acrylic Colors	Platinum and Silver Pearl	
Headrests	None	
Electrical Requirements:	North America (60 Hz): 120V@15A (GFCI cord) 240 VAC@30A or 40A Export (50 Hz): 230-240 VAC@20A or 30A, or suitably rated circuit breaker to comply with local electrical codes. Certain countries may require dual power inputs; two GFCI RCD breakers are required for this configuration.	
Warranty*	North America (60 Hz): 5 Years Shell, 2 Years Shell Surface, 2 Years Plumbing Component Leaks, 2 Years Equipment and Controls; 1 Year Cabinet, 1 Year Jets, 1 Year Stereo Export (50 Hz): 5 Years Shell, 2 Years Shell Surface, 2 Years Plumbing Component Leaks, 2 Years Equipment and Controls, 1 Year Cabinet, 1 Year Jets, 1 Year Stereo	
Audio System (Optional)	Not Available	

*(See Warranty Document for Specific Details)

Dimensions/Specifications are Subject to Change Without Notice

Jacuzzi J-125

Massage Selector/Air Control Diagram



All Jets and waterfall always on when jets pump 1 is running.

Air is always on when jets pump 1 is running.

23 Total Jets



Classic Euro Jets (4)



Classic Direct Jets (4)



Classic Mini Jets (9)



Classic Luxury Jets (6)

Spa Operation Subject to Change without Notice

Seat Depths

A = 25.50" (64.7 cm)

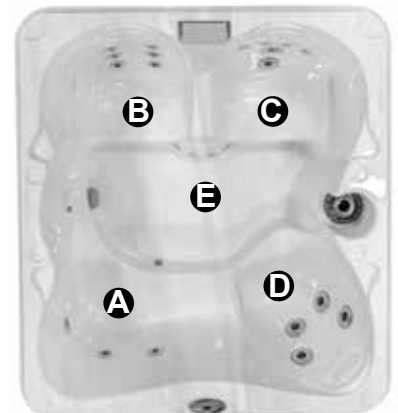
B = 27.50" (69.9 cm)

C = 27.50" (69.9 cm)

D = 27.40" (69.6 cm)

E = 30.25" (76.8 cm)

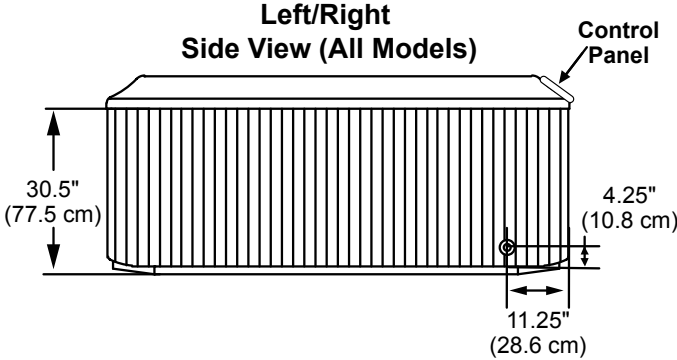
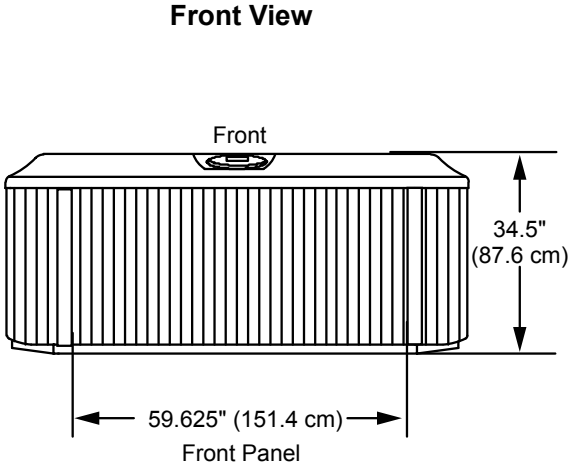
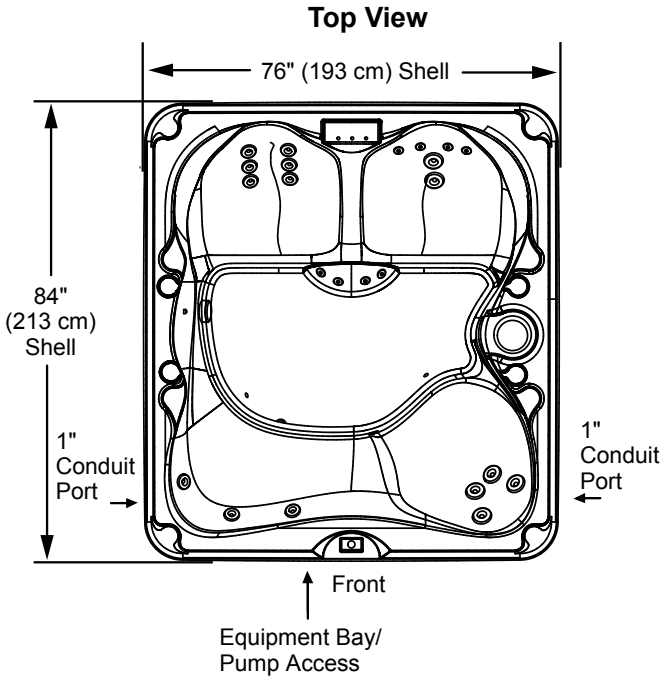
Listed dimensions represent distance from top of acrylic to lowest point in seat. Tolerance $\pm 0.5"$ (1.27 cm).



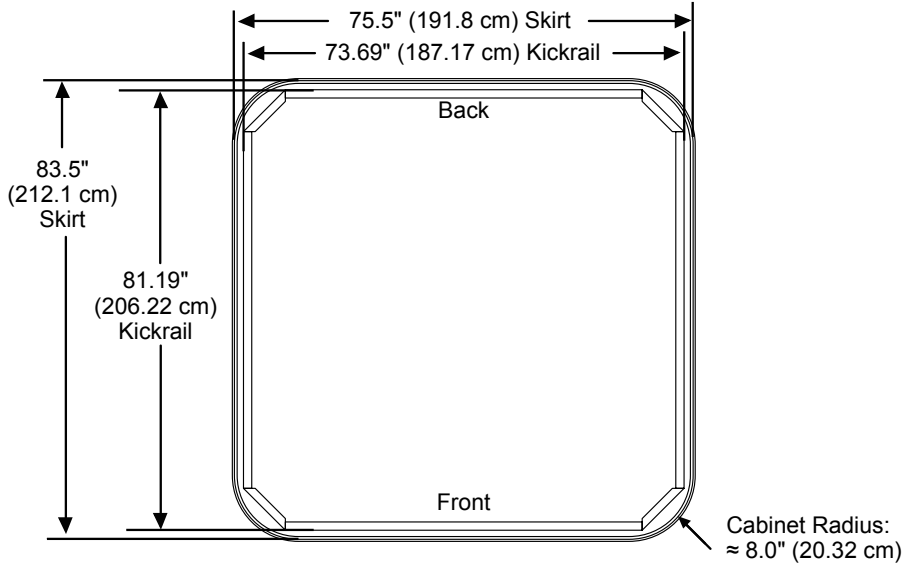
Dimensions/Specifications are Subject to Change Without Notice

Jacuzzi J-125

Dimensions



IMPORTANT! Always measure each hot tub for exact dimensions BEFORE designing its foundational support and/or decking.

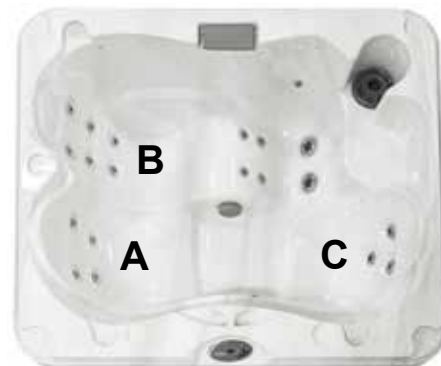


Dimensions/specifications subject to change without notice. Tolerance $\pm 0.5"$ (1.27 cm)

Jacuzzi J-115

Specifications

Seating Capacity	2-3 Adults
Dimensions	66" x 76" x 32" (168 cm x 193 cm x 81 cm); For Complete Dimensions, See page 99
Dry Weight	465 lbs (211 kg)
Filled Weight (Spa Volume)	2,753 lbs (1,249 kg)
Filled Weight (Average Fill)	2,302 lbs (1,044 kg)
Water Capacity (Spa Volume) ...	274 US gallons (1,037 Liters)
Water Capacity (Average Fill) ...	220 US gallons (833 Liters)
Electronic Controls	Solid state electronic controls with LED readout, programmable temperature, filtration, and heat cycles
Pump 1	North America (60 Hz): 2-Speed, 2.5 HP brake, 1.5 HP continuous, 48 Frame Export (50 Hz): 2-Speed, 2.0 HP continuous
Circulation Pump	No
Total Jets	19
Seat A Jets	4 Classic Direct
Seat B Jets	6 Classic Euro, 4 Classic Pulsator, 2 Classic Luxury
Seat C Jets	4 Classic Mini
Massage Selectors	None
Air Controls	None
Water Management System	One 50 ft ² filter cartridge on jets pump 1
LED Lighting	2 LED bullet lights (underwater)
Synthetic Cabinet Colors	Silverwood and Roasted Chestnut
Acrylic Colors	Platinum and Silver Pearl
Headrests	None
Electrical Requirements:	North America (60 Hz): 120V@15A (GFCI cord) 240 VAC@30A or 40A Export (50 Hz): 230-240 VAC@20A or 30A, or suitably rated circuit breaker to comply with local electrical codes. Certain countries may require dual power inputs; two GFCI RCD breakers are required for this configuration.
Warranty*	North America (60 Hz): 5 Years Shell, 2 Years Shell Surface, 2 Years Plumbing Component Leaks, 2 Years Equipment and Controls; 1 Year Cabinet, 1 Year Jets Export (50 Hz): 5 Years Shell, 2 Years Shell Surface, 2 Years Plumbing Component Leaks, 2 Years Equipment and Controls, 1 Year Cabinet, 1 Year Jets
Audio System (Optional)	Not Available



*(See Warranty Document for Specific Details)

Dimensions/Specifications are Subject to Change Without Notice

Jacuzzi J-115

Massage Selector/Air Control Diagram



All jets and waterfall always on when jets pump 1 is running.

Air is always on when jets pump 1 is running.

19 Total Jets



Classic Euro Jets (6)



Classic Direct Jets (4)



Classic Pulsator Jets (4)



Classic Mini Jets (3)



Classic Luxury Jets (2)

Spa Operation Subject to Change without Notice

Seat Depths

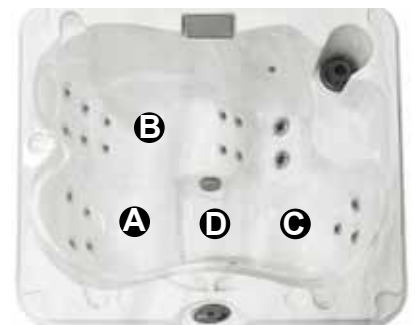
A = 27.00" (68.6 cm)

B = 28.25" (71.8 cm)

C = 27.50" (69.9 cm)

D = 28.70" (73.2 cm)

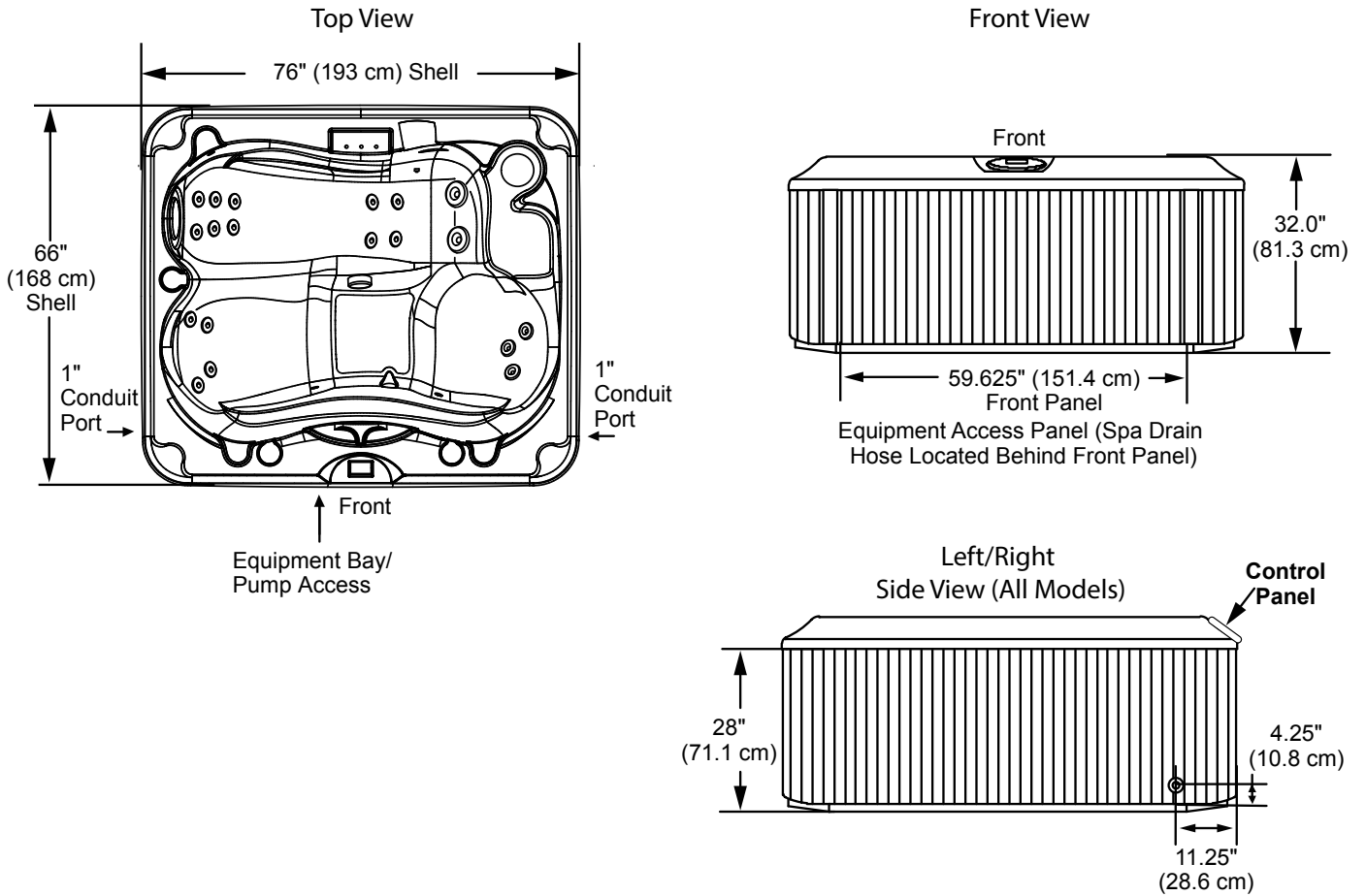
Listed dimensions represent distance from top of acrylic to lowest point in seat. Tolerance $\pm 0.5"$ (1.27 cm).



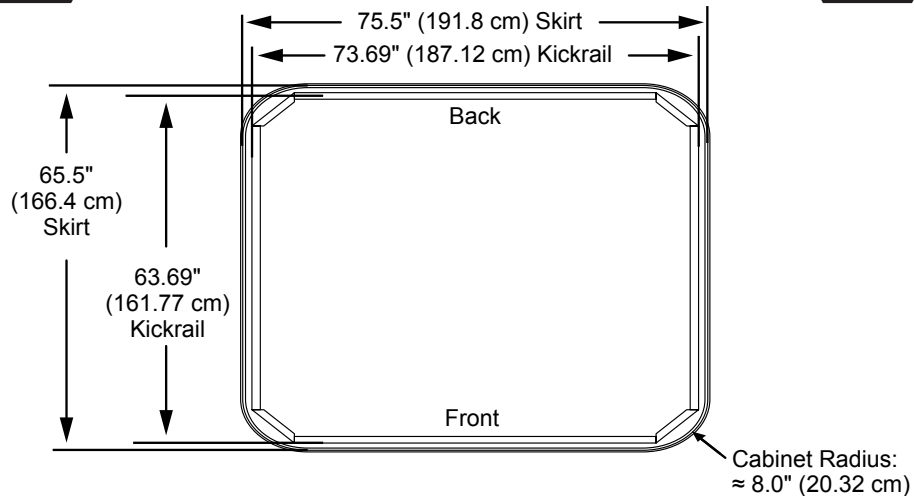
Dimensions/Specifications are Subject to Change Without Notice

Jacuzzi J-115

Dimensions




STOP **IMPORTANT! Always measure each hot tub for exact dimensions BEFORE designing its foundational support and/or decking.** **STOP**

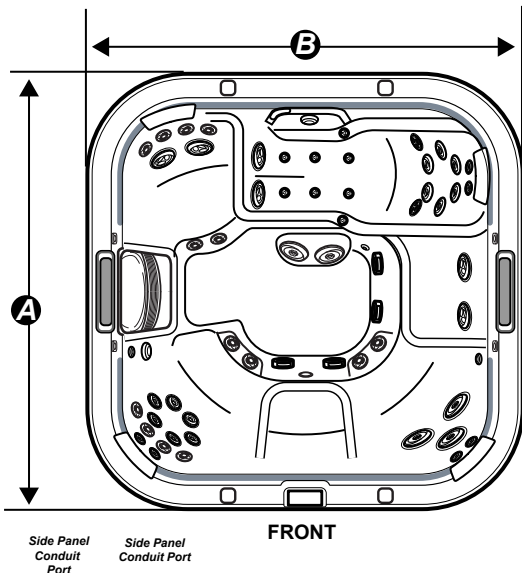


Dimensions/specifications subject to change without notice. Tolerance \pm 0.5" (1.27 cm)

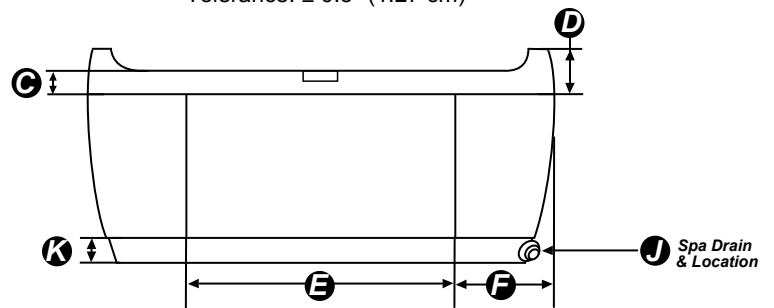
Complete Dimensions - All J500 Collection Models

Spa Models	DIMENSIONS A-F (All measurements are an approximate)					
	A	B	C	D	E	F
J-575	91.0" (231.1 cm)	91.0" (231.1 cm)	5.25" (13.3 cm)	9.5" (24.13 cm)	53.0" (134.6 cm)	19.0" (48.3 cm)
J-585						
DIMENSIONS G-I (All measurements are an approximate)						
	G	H	I	J	CLEARARRAY®	 <p>IMPORTANT! Always measure each hot tub for exact dimensions BEFORE designing its foundation support and/or decking.</p>
J-575	28.25" (71.8 cm)	37.5" (95.25 cm)	42.0" (107.0 cm)	Front Right	Front Center	
J-585						
DIMENSIONS K-O (All measurements are an approximate)						
	K	L	M	N	O	
J-575	4.0" (10.16 cm)	8.5" (21.6 cm)	3.25" (8.3 cm)	36.75" (93.3 cm)	3.0" (7.62 cm)	
J-585						
- Dimensions Subject to Change Without Notice -						

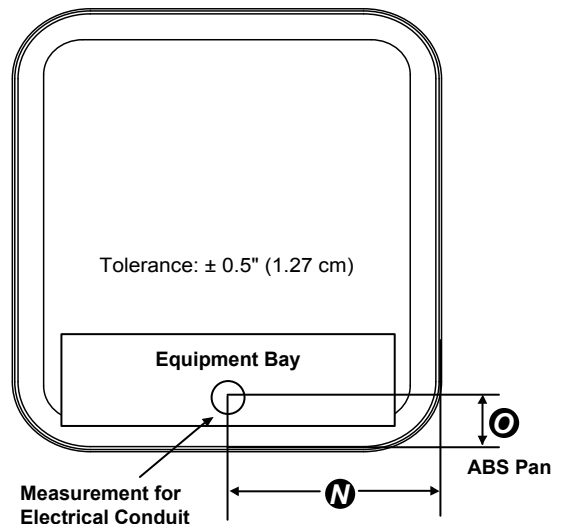
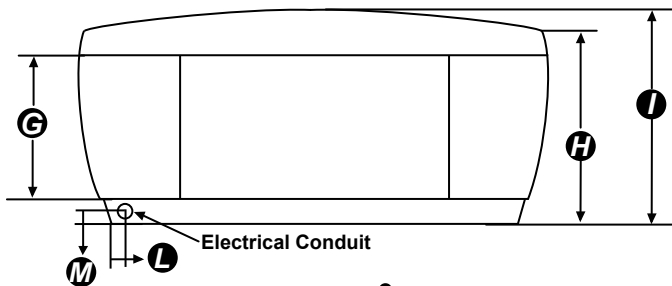
Spa Top View



Control Panel Side View
Tolerance: ± 0.5" (1.27 cm)




Left/Right Side View
Tolerance: ± 0.5" (1.27 cm)

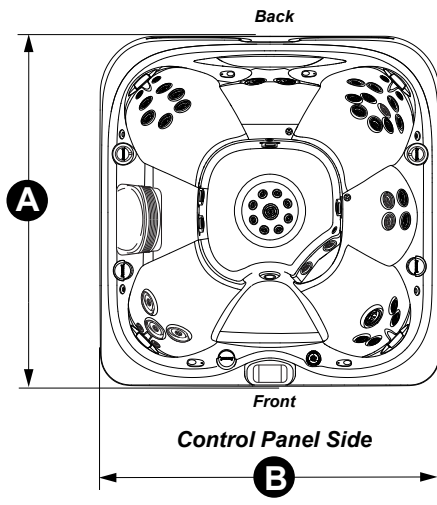


IMPORTANT! Always measure each hot tub for exact dimensions BEFORE designing its foundation support and/or decking.

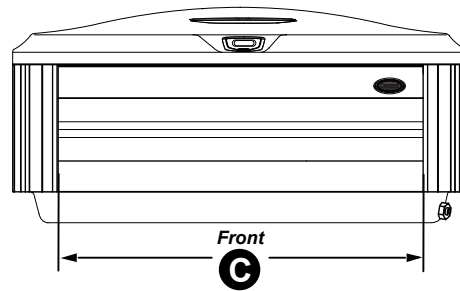
Complete Dimensions- J400 Collection Models

Spa Models	DIMENSIONS A-F (All measurements are an approximate ± .5")					
	A	B	C	D	E	F
J-495	110" (279.40 cm)	91" (231 cm)	31.25" (79.38 cm)	37.50" (95.25 cm)	43.50" (110.49 cm)	≈ 8.0" (20.32 cm)
J-485	91" (231 cm)					
J-475	91" (231 cm)					
J-445	84" (213.5 cm)	84" (213.5 cm)	29.75" (75.57 cm)	36" (91.5 cm)	42.75" (108.6 cm)	
J-435	84" (213.5 cm)	84" (213.5 cm)	29.75" (75.57 cm)	36" (91.5 cm)	42.75" (108.6 cm)	
J-425	87" (220.98 cm)	76" (193.04 cm)	28" (71.12 cm)	34" (86.36 cm)	40" (101.60 cm)	
Spa Models	DIMENSIONS G (All measurements are an approximate ± .5")			 <p>IMPORTANT! Always measure each hot tub for exact dimensions BEFORE designing its foundation support and/or decking.</p>		
	G	H (Drain)	CLEARRAY®			
J-495	≈ 15.0" (38.10 cm)	Front Right	Front Center			
J-485						
J-475						
J-445						
J-435						
J-425						

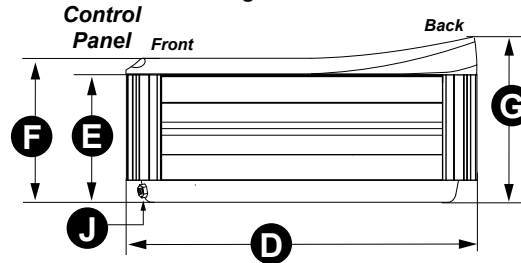
Spa Top View (J-485 Illustrated)



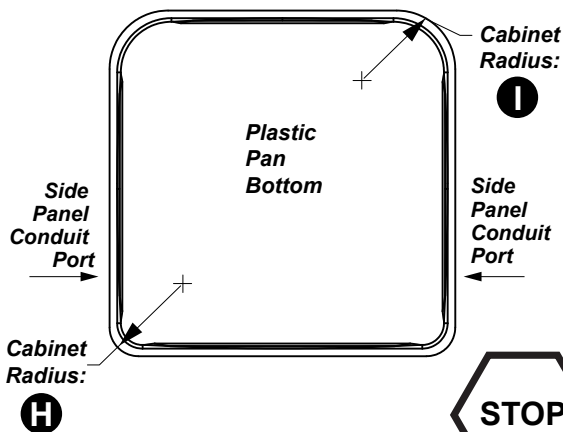
Control Panel Side View



**Side View (J-485 Illustrated)
Left/Right Side Panel**



Spa Bottom View (J-485 Illustrated)



Important Panel Details


NOTE: Over time the panel(s) may bow, this is considered normal. The panels will straighten out when reinstalled into the mounting channel. Place one end of the panel into the channel first then flatten the panel and insert the other end.



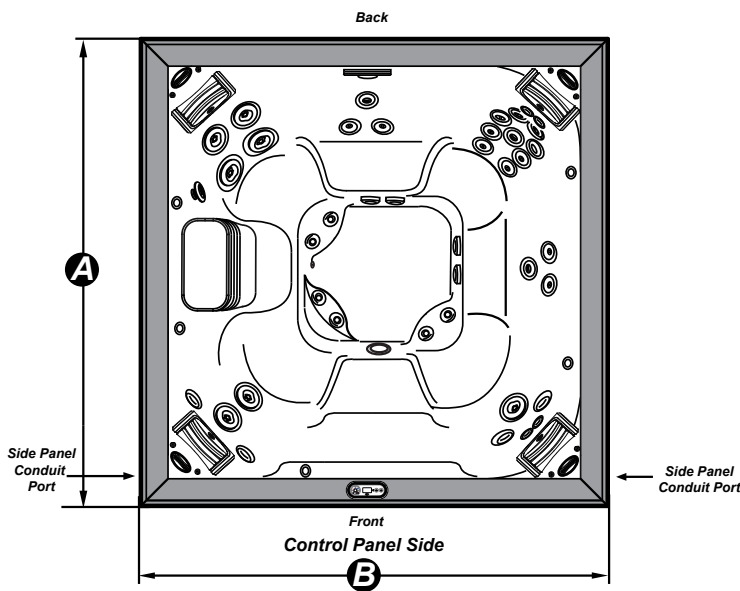
IMPORTANT! Always measure each hot tub for exact dimensions BEFORE designing its foundational support and/or decking.

Note: Gaps in underlying wood frame are for ventilation purposes; not for electrical hook-ups or other uses.

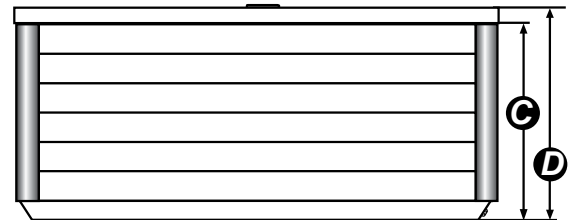
Complete Dimensions - All J-LX Collection Models

Spa Models	DIMENSIONS A-F (All measurements are an approximate)					
	A	B	C	D	E	F
J-LXL	84" (213.5 cm)	84" (213.5 cm)	14.0" (35.5 cm)	9.75" (24.7 cm)	53.0" (134.6 cm)	81.0" (205.7 cm)
J-LX						
DIMENSIONS G-J (All measurements are an approximate)						
	G	H	I	J	CLEARARRAY®	 <p>IMPORTANT! Always measure each hot tub for exact dimensions BEFORE designing its foundation support and/or decking.</p>
J-LXL	33.5" (85.1 cm)	36.0" (91.4 cm)	81.0" (205.7 cm)	Front Right	Front Right	
J-LX						
- Dimensions Subject to Change Without Notice -						

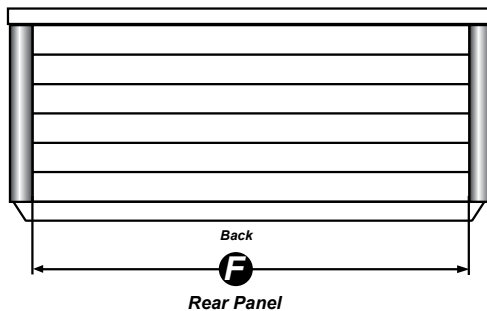
Spa Top View (J-LX Illustrated)



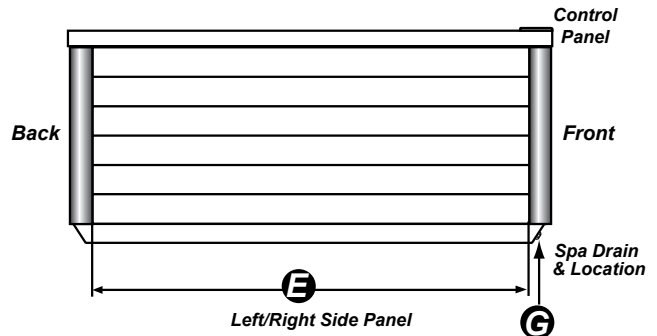
Control Panel Side View



Rear Side View (All Models)




Left/Right Side View (All Models)



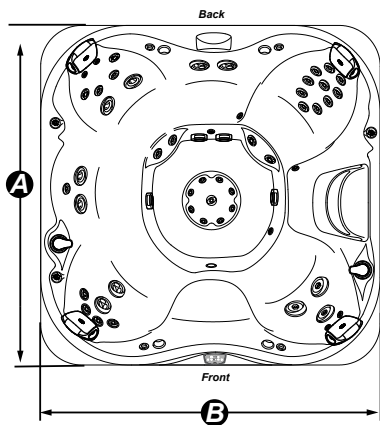
Note: Gaps in underlying wood frame are for ventilation purposes; not for electrical hook-ups or other uses.

Complete Dimensions-All J300 Collection Models

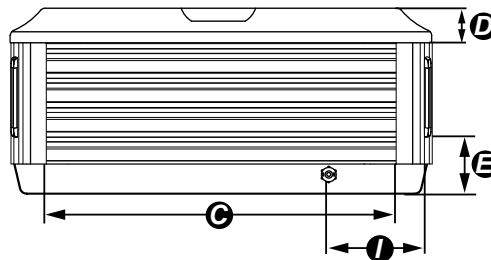
Spa Models	DIMENSIONS A-F (All measurements are an approximate)							
	A	B	C	D	E	F		
J-385	91" (231.1 cm)	91" (231.1 cm)	66.75" (169.55 cm)	9.0" (22.86)	15.75" (40.01 cm)	32" (81.28 cm)		
J-375			66.50" (168.91 cm)					
J-365	84" (213.4 cm)	84" (213.4 cm)	60.0" (152.40 cm)		13.5" (34.09 cm)	31" (78.74 cm)		
J-355			52.5" (133.35 cm)		10.75" (27.31 cm)	28" (71.10 cm)		
J-345			76" (193 cm)		52.0" (132.08 cm)	9.50" (24.13 cm)	36.5" (54.61 cm)	
J-335						9.50" (24.13 cm)	36.5" (54.61 cm)	
J-325	66" (167.6 cm)							
J-315								
DIMENSIONS G-I (All measurements are an approximate)								
	G	H	I	CLEARARRAY®	 <p>IMPORTANT! Always measure each hot tub for exact dimensions BEFORE designing its foundation support and/or decking.</p>			
J-385	38" (96.50 cm)	26" (66.04 cm)	12" (30.48 cm)	Front Center				
J-375			29" (73.66 cm)					
J-365			37" (93.98 cm)				25" (63.5 cm)	27" (68.58 cm)
J-355								12" (30.48 cm)
J-345	34" (86.5 cm)	22" (55.88 cm)						
J-335	32" (81.28 cm)	21.5" (54.61 cm)						
J-325								
J-315								

- Dimensions Subject to Change Without Notice -

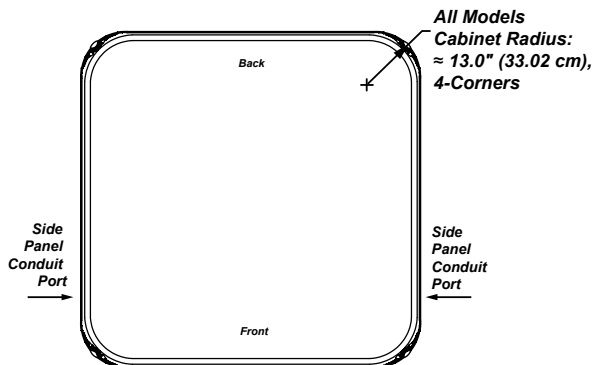
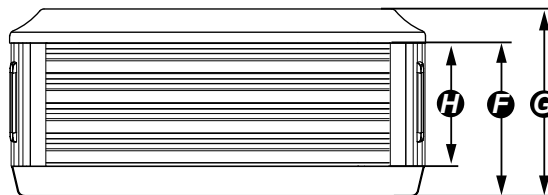
Spa Top View (J-385 Illustrated)



Control Panel Side View (All Models)




Rear Side View (All Models)



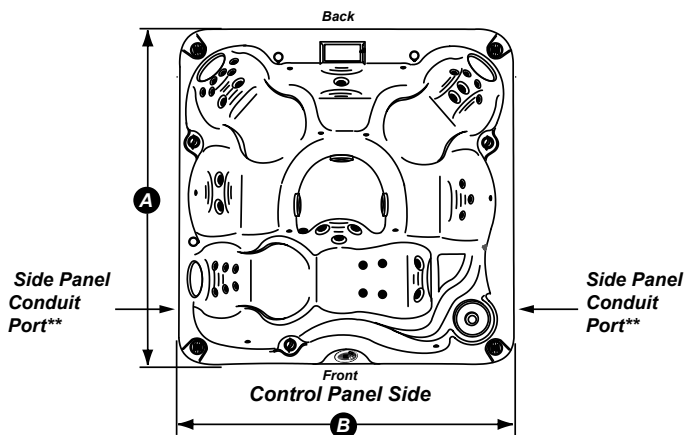
Note: Gaps in underlying wood frame are for ventilation purposes; not for electrical hook-ups or other uses.

Complete Dimensions-All J200 Collection Models

Spa Models	DIMENSIONS A-G (ALL MEASUREMENTS ARE AN APPROXIMATE)						
	A	B	C	D	E	F	G
J-210 (Round Spa)	78" (198.0 cm)		77.25" (196.2 cm) Round	30" (76.2 cm)	36" (91.5 cm)	77.25" (196.2 cm) Round	N/A
J-215	66" (168 cm)	76" (193 cm)	75.5" (191.8 cm)	28" (71.1 cm)	32" (81 cm)	75.5" (191.8 cm)	8.0" (20.3 cm)
J-225	84" (213.5 cm)	76" (193 cm)	75.5" (191.8 cm)	30.5" (77.5 cm)	34.5" (87 cm)	75.5" (191.8 cm)	8.0" (20.3 cm)
J-235	84" (213.5 cm)	84" (213.5 cm)	83.25" (211.4 cm)	32.5" (82.5 cm)	36" (91.5 cm)	83.25" (211.4 cm)	8.0" (20.3 cm)
J-245	84" (213.5 cm)	84" (213.5 cm)	83.25" (211.4 cm)	32.5" (82.5 cm)	36" (91.5 cm)	83.25" (211.4 cm)	8.0" (20.3 cm)
J-275	90" (228.6 cm)	90" (228.6 cm)	89.25" (226.7 cm)	32.5" (82.5 cm)	36.5" (92.7 cm)	89.25" (226.7 cm)	8.0" (20.3 cm)
J-280	90" (228.6 cm)	90" (228.6 cm)	89.25" (226.7 cm)	32.5" (82.5 cm)	36.5" (92.7 cm)	89.25" (226.7 cm)	8.0" (20.3 cm)
DIMENSIONS H-I (ALL MEASUREMENTS ARE AN APPROXIMATE)							
	H	I	CLEARARRAY®	Drain	 <p>IMPORTANT! Always measure each hot tub for exact dimensions BEFORE designing its foundation support and/or decking.</p>		
J-215	11.25" (28.6 cm)	4.25" (10.8 cm)	None	Right			
J-225	10.75" (27.3 cm)	4.25" (10.8 cm)	Center	Left			
J-235	10.5" (26.67 cm)	4.5" (11.43 cm)	Front Right	Right			
J-245	10.5" (26.67 cm)	4.5" (11.43 cm)					
J-275	11.5" (29.21 cm)	4.5" (11.43 cm)					
J-280	11.5" (29.21 cm)	4.5" (11.43 cm)					

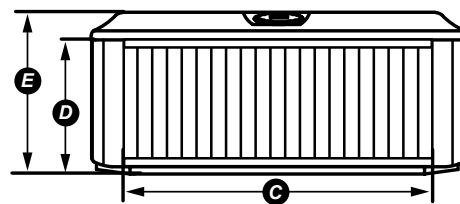
- Dimensions Subject to Change Without Notice -

Spa Top View (J-235 Illustrated)

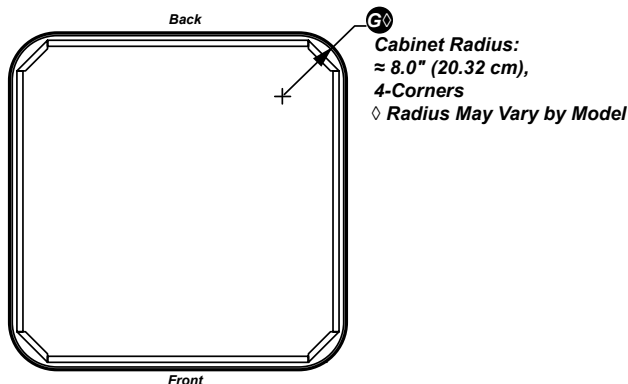
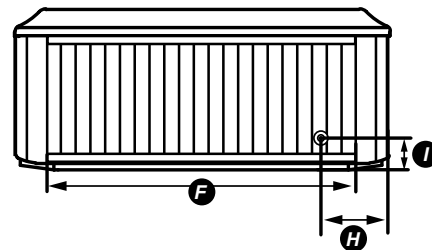


**Single Conduit Port Available on Round J-210 Models at Front Panel Side of Spa.

Control Panel Side View (All Models)




Left/Right Side View (All Models)

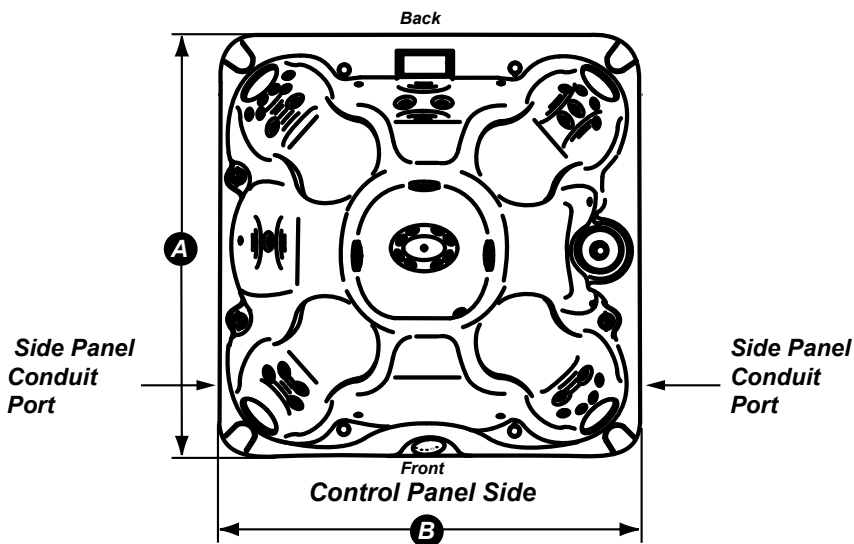


Note: Gaps in underlying wood frame are for ventilation purposes; not for electrical hook-ups or other uses.

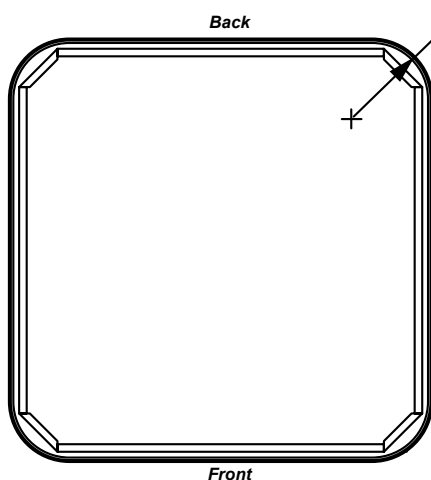
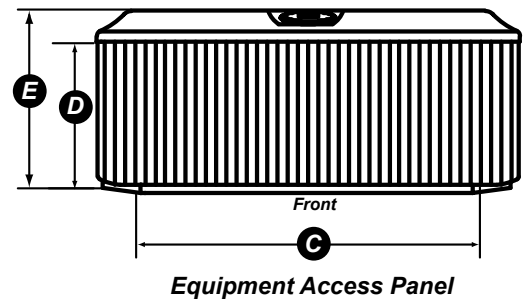
Complete Dimensions-All J100 Collection Models

Spa Models	DIMENSIONS A-G (ALL MEASUREMENTS ARE AN APPROXIMATE)						
	A	B	C	D	E	F	G
J-115	76" (193.0 cm)	66" (168.0 cm)	58.9" (149.6 cm)	28" (71.1 cm)	32" (81.3 cm)	49.0" (124.5 cm)	11.25" (28.6 cm)
J-125	84" (213.5 cm)	76" (193.0 cm)	58.9" (149.6 cm)	30.5" (77.5 cm)	34.5" (87 cm)	68.6" (174.2 cm)	11.25" (28.6 cm)
J-135	84" (213.5 cm)	84" (213.5 cm)	66.75" (169.5 cm)	32.5" (82.5 cm)	36" (91.5 cm)	66.75" (169.5 cm)	10.5" (26.7 cm)
J-145	84" (213.5 cm)	84" (213.5 cm)	66.75" (169.5 cm)	32.5" (82.5 cm)	36" (91.5 cm)	66.75" (169.5 cm)	10.5" (26.7 cm)
DIMENSIONS H-I (ALL MEASUREMENTS ARE AN APPROXIMATE)							
	H	I	 <p>IMPORTANT! Always measure each hot tub for exact dimensions BEFORE designing its foundation support and/or decking.</p>				
J-115	4.25" (10.8 cm)	8.0" (20.32 cm)					
J-125	4.25" (10.8 cm)	8.0" (20.32 cm)					
J-135	4.5" (11.4 cm)	8.0" (20.32 cm)					
J-145	4.5" (11.4 cm)	8.0" (20.32 cm)					
- Dimensions Subject to Change Without Notice -							

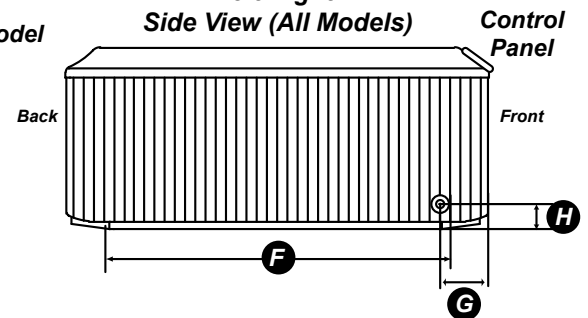
Spa Top View (J-145 Illustrated)



Control Panel Side View (All Models)



Left/Right Side View (All Models)



Note: Gaps in underlying wood frame are for ventilation purposes; not for electrical hook-ups or other uses.

Your Jacuzzi Hot Tub Dealer is:



www.Jacuzzi.com
14525 Monte Vista Ave.
Chino, CA 91710

(01/30/2020) GME-1249 Rev. G
© 2020 Jacuzzi Hot Tubs