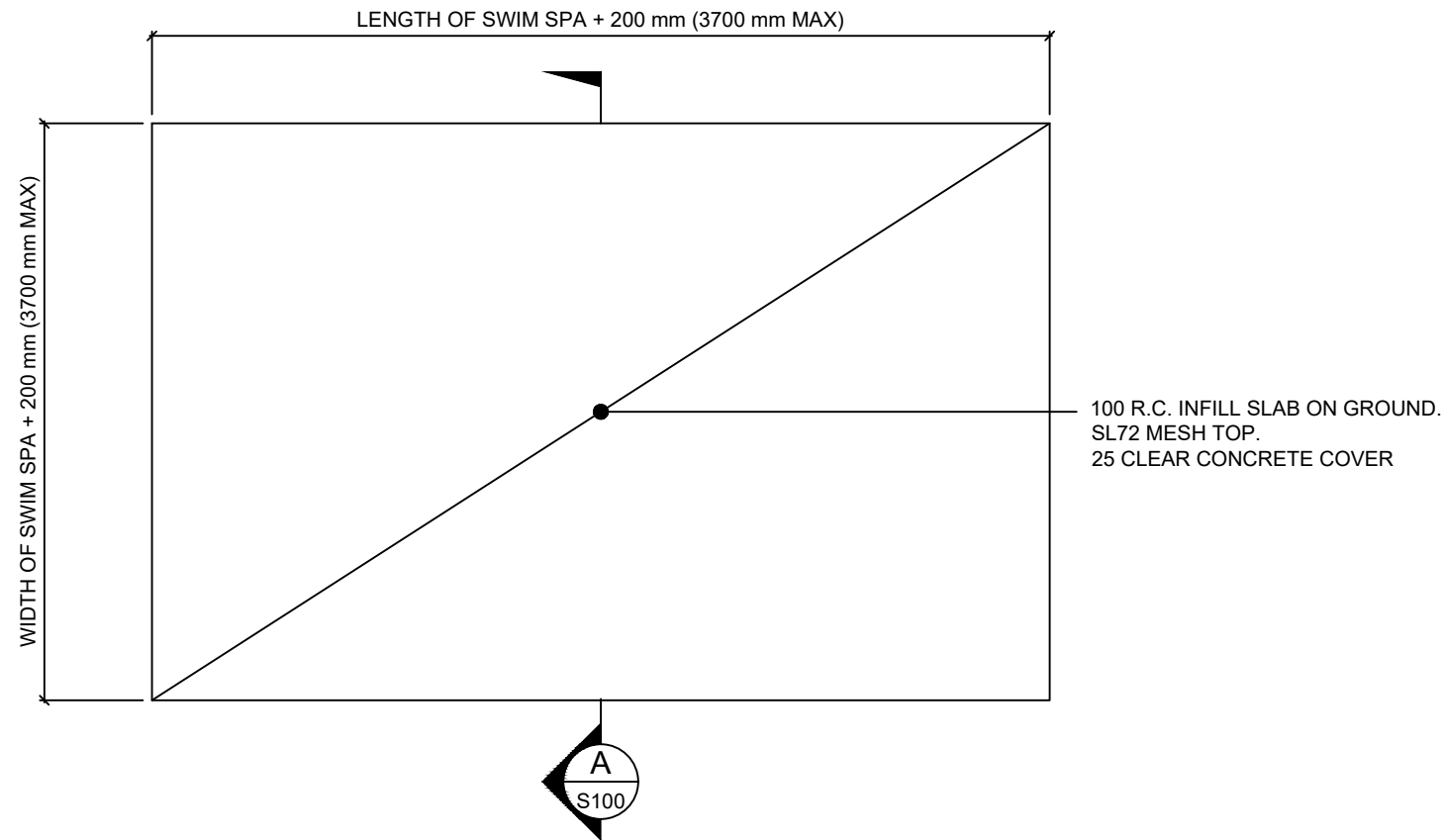


# PORTABLE SPA GENERIC SLAB

## CONSTRUCTION DRAWINGS

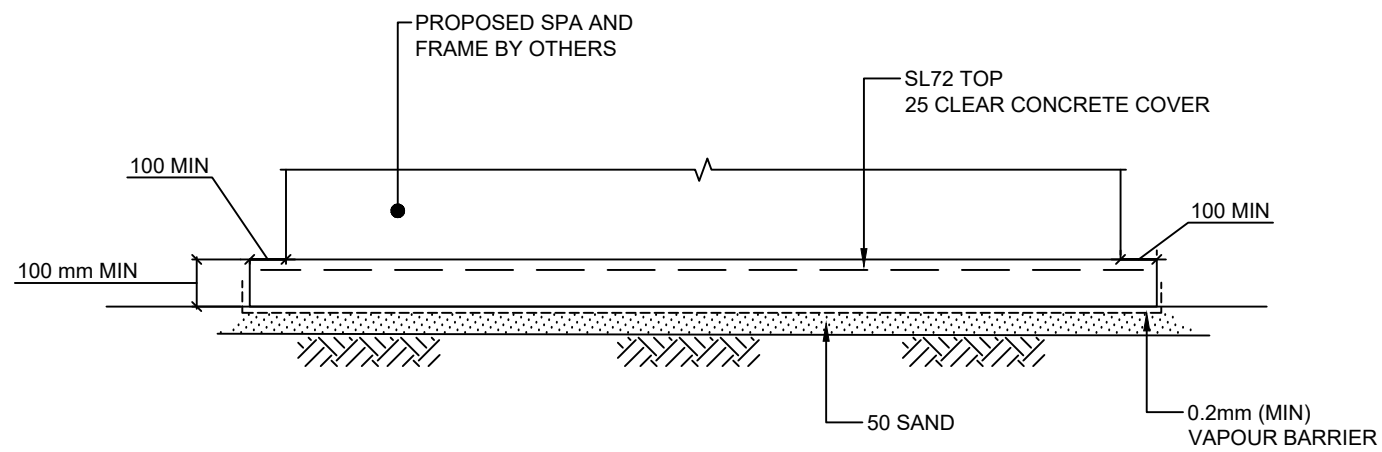
### Sheet Index

Layout ID	Layout Name
S000	Title Sheet
S001	General Notes
S100	Portable Spa Slab



**NOTES:**

- THIS GENERIC SLAB DESIGN IS ONLY FOR SPA WORLD PORTABLE SPA MODELS OF MAXIMUM DIMENSIONS: **3500 x 3500 x 1100**.
- FOR SPA MODELS EXCEEDING THESE DIMENSIONS USE THE SPA WORLD SWIM SPA SLAB DESIGN OR CONTACT THIS OFFICE FOR GUIDANCE
- SLAB DESIGN BASED ON POINT LOAD TRANSFERAL FROM PORTABLE SPA AT FULL CAPACITY.
- SLAB TO BE FOUNDED ON SOIL WITH A MINIMUM ALLOWABLE BEARING CAPACITY OF 50 kPa AND A MINIMUM 2% CBR SUBGRADE. THIS OFFICE TO BE CONTACTED IF DIFFERS.
- TREE EFFECTS, PROXIMITY OF ASSETS, ABNORMAL MOISTURE CONDITIONS, UNCONTROLLED FILL & AGGRESSIVE SOIL TYPES HAVE NOT BEEN TAKEN INTO CONSIDERATION. THIS OFFICE TO BE CONTACTED FOR SITE SPECIFIC DESIGN IF THESE CONDITIONS EXIST OR SITE IS CLASSIFIED 'P'
- SWIMMING POOL AND SPA SAFETY TO FOLLOW THE GUIDELINES OF PN-05-2018 PUBLISHED BY VBA.



**SECTION A**

A  
S100

REVISION	AMENDED DESCRIPTION	DRAWN BY	DATE
A	FOR CONSTRUCTION	B.E.	10/05/21