

MANHATTAN



MANHATTAN

ecosmar+
Fire

Taking its cues from one of the world's most densely populated cities where real estate prices are sky-high and square footage comes at a premium price is a fire table that combines ingenuity with functionality.

With its self-contained energy source, generous sideboard and portable construction, EcoSmart's freestanding Manhattan fireplace knows how to make the most of a small space. Fueled by environmentally-friendly bioethanol, the fully integrated, multifunctional design means homeowners can enjoy the ambiance and tranquility of a real fire without the inconvenience of burning real wood – that means no more embers, ash and soot to clean up.

Key Features

Versatile and Relocatable

With zero hard utility connections, relocating your fire is a breeze. Entertain on your own terms with Manhattan from EcoSmart Fire.

Fluid™ Concrete Technology

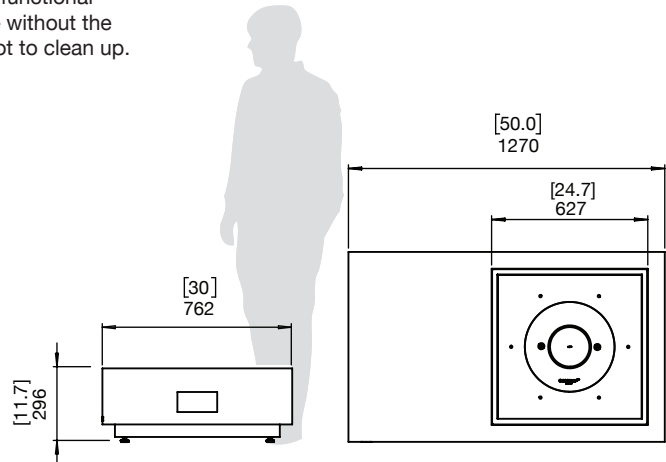
Our proprietary technology offers a streamlined yet sophisticated system that delivers exceptionally robust, handcrafted products.

Clean-burning and Sustainable

EcoSmart Fire's when fueled by e-NRG Bioethanol are the single, most eco-friendly fires available today. With no smoke, soot, or ash your clean-burning, bioethanol fire can even be used indoors!

No installation Required

Simply unpack, put into position and enjoy the ambiance that comes with an authentic EcoSmart Fire.



Model	Materials	Colours	Compatible Burner	Volume Capacity	Heats On Average When used indoors	Approx Burn Time	Optional Accessories
Manhattan	Fluid™ Concrete Technology, Grade 304 Stainless Steel, Black Glass Charcoal as Decorative Media	Natural, Bone, or Graphite	AB8	8 Litres [2.1 Gallons]	Over 60m ² [645.8ft ²]	7 - 11 hours	Fire Screen, Protective Cover

Freestanding Fireplaces

Select yours in 3 simple steps

1 Select style



Wharf 65
L 1650 x W 1000 x H 339mm
\$7,295 (Concrete) \$7,945 (Teak)
(includes XL900 Burner & Accessories)



Cosmo 50
L 1270 x W 762 x H 296mm
\$5,495 (Concrete) \$5,995 (Teak)
(includes XL900 Burner & Accessories)



Manhattan 50
L 1270 x W 762 x H 296mm
\$2,995 (Concrete) \$3,595 (Teak)
(includes AB8 Burner & Accessories)



Martini 50
L 1270 x W 762 x H 296mm
\$2,995 (Concrete) \$3,595 (Teak)
(includes AB8 Burner & Accessories)



Ark 40
Ø 1000 x H 339mm
\$3,595 (includes AB8 Burner & Accessories)



Base 40
L 1000 x W 1000 x H 339mm
\$3,595 (Concrete) \$4,195 (Teak)
(includes AB8 Burner & Accessories)



Base 30
L 776 x W 776 x H 339mm
\$2,995 (Concrete) \$3,595 (Teak)
(includes AB8 Burner & Accessories)



Gin 90 Bar
L 2272 x W 1098 x H 1045
\$10,995 (Concrete) \$11,495 (Teak)
(includes XL900 Burner & Accessories)



Gin 90 Dining
L 2272 x W 1098 x H 745
\$10,595 (Concrete) \$11,195 (Teak)
(includes XL900 Burner & Accessories)



Gin 90 Chat
L 2272 x W 1098 x H 545
\$10,195 (Concrete) \$10,795 (Teak)
(includes XL900 Burner & Accessories)



Gin 90 Low
L 2272 x W 1098 x H 345
\$9,895 (Concrete) \$10,495 (Teak)
(includes XL900 Burner & Accessories)



Mini T
L 330 x W 330 x H 462mm
\$2,195 (includes AB3 Burner & Accessories)



Mix 850
Ø 850 x H 319mm
\$2,295 (includes AB8 Burner & Accessories)



Mix 600
Ø 600 x H 229mm
\$1,195 (includes AB3 Burner & Accessories)



Nova 850
L/W 850 x H 310mm
\$2,295 (includes AB8 Burner & Accessories)



Nova 600
L/W 600 x H 220mm
\$1,195 (includes AB3 Burner & Accessories)



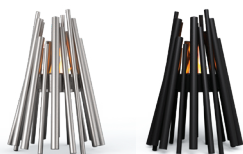
Pod 40
Ø 998 x H 504mm
\$2,995 (includes AB8 Burner & Accessories)



Pod 30
Ø 762 x H 351mm
\$2,395 (includes AB8 Burner & Accessories)



Stix 8
L 792 x W 792 x H 1085mm
\$4,245 (Black Only)
(includes AB8 Burner & Accessories)



Stix
L 557 x W 556 x H 780mm
From \$2,395 (Stainless Steel) \$1,795 (Black)
(includes AB3 Burner & Accessories)



Ghost
L 400 x W 386 x H 1106mm
\$2,995 (Stainless Steel) \$3,595 (Black)
(includes AB3 Burner & Accessories)



Igloo
L 978 x W 494 x H 904mm
\$4,795 (includes BK5 Burner & Accessories)

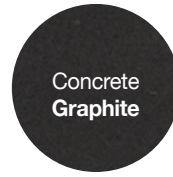
2 Select a finish

Choose from our commercial-grade concrete which is extremely durable yet incredibly lightweight or our FSC Certified Teak finish, made of the strongest and most durable hardwood available.

*Teak not available for Ark 40, Mix, Nova & Pod Series.



Concrete Natural



Concrete Graphite



Concrete Bone



Teak Natural (Oiled)

3 Select application

Our Fire Pits and Fire Tables are suitable for use both indoors and outdoors but are pre-assembled for Outdoor Use.

If you're wanting to use it indoors additional parts are required - make sure you know where you wish to use the product as this is important to inform at the time of purchase.



Indoor



Outdoor

Included accessories



Jerry Can, Safety Spout & e-NRG bottle adapter



Lighting Rod & Lighter



Black Glass Charcoal (Concrete & Teak models only)



XL Baffles (XL Burner compatible models only)



Efficiency Ring (AB8 compatible models only)



Jerry Can Spout Extension (AB3 compatible models only)

Optional accessories



Glass Fire Screens

Optional Fire Screens help to minimise the impact of wind on the flame and reduce fuel consumption.

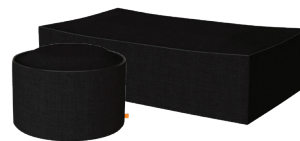
- \$595 Wharf 65, Cosmo 50 (L1080)
- \$495 Base 40, Base 30, Manhattan 50 (\$500)
- \$495 Ark 40, Martini 50, Pod 40, Pod 30 (R530)
- \$195 Ghost
- \$1,095 Igloo (Plasma)



Protective Covers

Made from stain resistant, water resistant material these custom covers are an optional accessory to protect your product for years to come.

- \$255 Wharf 65
- \$195 Ark 40
- \$195 Base 40, Base 30
- \$165 Cosmo 50, Manhattan 50, Martini 50, Pod 40, Pod 30, Stix 8
- \$495 Gin 90 Bar
- \$395 Gin 90 Dining
- \$365 Gin 90 Chat
- \$295 Gin 90 Low
- \$155 Mix 850, Nova 850, Stix
- \$95 Mix 600, Nova 600
- \$95 Mini T, Tank



Winter Storage Bags

Water proofed all weather fabric, resists shrinkage, fading, UV rays, and harsh weather. With anti stain coating for easy cleaning.

- \$545 Wharf 65
- \$365 Ark 40, Base 40, Cosmo 50, Manhattan 50, Martini 50, Mix 850, Nova 850, Pod 40
- \$295 Base 30, Mix 600, Nova 600
- \$1,095 Gin 90 Bar
- \$995 Gin 90 Dining
- \$845 Gin 90 Chat
- \$695 Gin 90 Low
- \$195 Pod 30
- \$145 Tank



Tank

Tank functions as a side table, or stool. Available in Concrete (Natural, Graphite and Bone colours) and Teak (Natural - oiled) finish.

- \$595 Tank Concrete and Teak

Proudly distributed by



spaworld.co.nz

Prices NZD. Delivery is not included.