

MARTINI



Elegant, simple, and ever so functional, the Martini Fire Table is perfect for entertaining.

With sufficient space to set down food or drinks, the fire becomes a welcoming destination for guests to gather around. With a sunken circular flame at its centre Martini certainly knows how to grab your attention.

Key Features

Versatile and Relocatable

With zero hard utility connections, relocating your fire is a breeze. Entertain on your own terms with Martini from EcoSmart Fire.

Fluid™ Concrete Technology

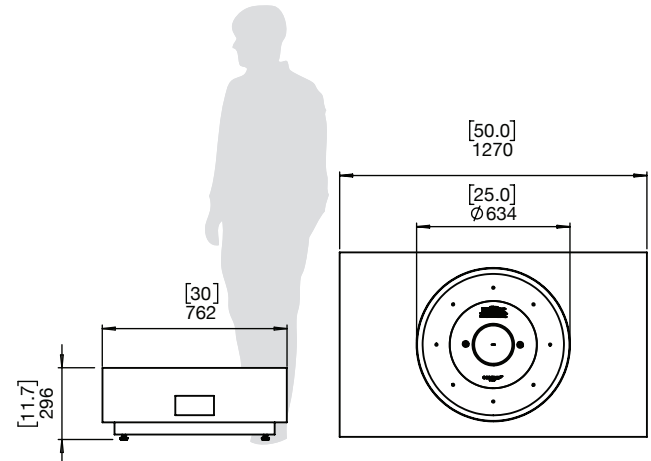
Our proprietary technology offers a streamlined yet sophisticated system that delivers exceptionally robust, handcrafted products.

Clean-burning and Sustainable

EcoSmart Fire's when fueled by e-NRG Bioethanol are the single, most eco-friendly fires available today. With no smoke, soot, or ash your clean-burning, bioethanol fire can even be used indoors!

No installation Required

Simply unpack, put into position and enjoy the ambiance that comes with an authentic EcoSmart Fire.



Model	Materials	Colours	Compatible Burner	Volume Capacity	Heats On Average When used indoors	Approx Burn Time	Optional Accessories
Martini	Fluid™ Concrete Technology, Grade 304 Stainless Steel, Black Glass Charcoal as Decorative Media	Natural, Bone, or Graphite	AB8	8 Litres [2.1 Gallons]	Over 60m ² [645.8ft ²]	7 - 11 hours	Fire Screen, Protective Cover

Freestanding Fireplaces

ecosmar⁺
Fire

Select yours in 3 simple steps

1 Select style



Wharf 65
L 1650 x W 1000 x H 339mm
\$5,995 (Concrete) \$6,495 (Teak)
(includes XL900 Burner & Accessories)



Cosmo 50
L 1270 x W 762 x H 296mm
\$4,495 (Concrete) \$4,995 (Teak)
(includes XL900 Burner & Accessories)



Manhattan 50
L 1270 x W 762 x H 296mm
\$2,495 (Concrete) \$2,995 (Teak)
(includes AB8 Burner & Accessories)



Martini 50
L 1270 x W 762 x H 296mm
\$2,495 (Concrete) \$2,995 (Teak)
(includes AB8 Burner & Accessories)



Ark 40
Ø 1000 x H 339mm
\$2,995 (includes AB8 Burner & Accessories)



Base 40
L 1000 x W 1000 x H 339mm
\$2,995 (Concrete) \$3,495 (Teak)
(includes AB8 Burner & Accessories)



Base 30
L 776 x W 776 x H 339mm
\$2,495 (Concrete) \$2,995 (Teak)
(includes AB8 Burner & Accessories)



Gin 90 Bar
L 2272 x W 1098 x H 1045mm
\$8,995 (Concrete) \$9,495 (Teak)
(includes XL900 Burner & Accessories)



Gin 90 Dining
L 2272 x W 1098 x H 745mm
\$8,695 (Concrete) \$9,195 (Teak)
(includes XL900 Burner & Accessories)



Gin 90 Chat
L 2272 x W 1098 x H 545mm
\$8,395 (Concrete) \$8,895 (Teak)
(includes XL900 Burner & Accessories)



Gin 90 Low
L 2272 x W 1098 x H 345mm
\$8,095 (Concrete) \$8,595 (Teak)
(includes XL900 Burner & Accessories)



Mini T
L 330 x W 330 x H 462mm
\$1,795 (includes AB3 Burner & Accessories)



Mix 850
Ø 850 x H 319mm
\$1,895 (includes AB8 Burner & Accessories)



Mix 600
Ø 600 x H 229mm
\$995 (includes AB3 Burner & Accessories)



Nova 850
L/W 850 x H 310mm
\$1,895 (includes AB8 Burner & Accessories)



Nova 600
L/W 600 x H 220mm
\$995 (includes AB3 Burner & Accessories)



Pod 40
Ø 998 x H 504mm
\$2,495 (includes AB8 Burner & Accessories)



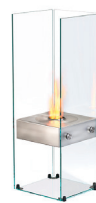
Pod 30
Ø 762 x H 351mm
\$1,995 (includes AB8 Burner & Accessories)



Stix 8
L 792 x W 792 x H 1085mm
\$3,496 (Black Only)
(includes AB8 Burner & Accessories)



Stix
L 557 x W 556 x H 780mm
From \$1,995 (Stainless Steel) \$1,495 (Black)
(includes AB3 Burner & Accessories)



Ghost
L 400 x W 386 x H 1106mm
\$2,495 (Stainless Steel) \$2,995 (Black)
(includes AB3 Burner & Accessories)

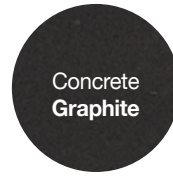


Igloo
L 978 x W 494 x H 904mm
\$3,995 (includes BK5 Burner & Accessories)

2 Select a finish

Choose from our commercial-grade concrete which is extremely durable yet incredibly lightweight or our FSC Certified Teak finish, made of the strongest and most durable hardwood available.

*Teak not available for Ark 40, Mix, Nova & Pod Series.



3 Select application

Our Fire Pits and Fire Tables are suitable for use both indoors and outdoors but are pre-assembled for Outdoor Use.

If you're wanting to use it indoors additional parts are required - make sure you know where you wish to use the product as this is important to inform at the time of purchase.



Indoor



Outdoor

Included accessories



Jerry Can, Safety Spout & e-NRG bottle adapter



Lighting Rod & Lighter



Black Glass Charcoal (Concrete & Teak models only)



XL Baffles (XL Burner compatible models only)



Efficiency Ring (AB8 compatible models only)



Jerry Can Spout Extension (AB3 compatible models only)

Optional accessories



Glass Fire Screens

Optional Fire Screens help to minimise the impact of wind on the flame and reduce fuel consumption.

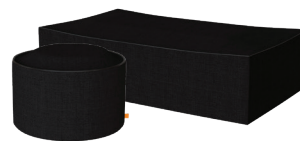
- \$495 Wharf 65, Cosmo 50 (L1080)
- \$395 Base 40, Base 30, Manhattan 50 (S500)
- \$395 Ark 40, Martini 50, Pod 40, Pod 30 (R530)
- \$155 Ghost
- \$895 Igloo (Plasma)



Protective Covers

Made from stain resistant, water resistant material these custom covers are an optional accessory to protect your product for years to come.

- \$195 Wharf 65
- \$175 Ark 40
- \$155 Base 40, Base 30
- \$135 Cosmo 50, Manhattan 50, Martini 50, Pod 40, Pod 30 Stix 8
- \$400 Gin 90 Bar
- \$350 Gin 90 Dining
- \$300 Gin 90 Chat
- \$250 Gin 90 Low
- \$125 Mix 850, Nova 850, Stix
- \$95 Mix 600, Nova 600
- \$75 Mini T, Tank



Winter Storage Bags

Water proofed all weather fabric, resists shrinkage, fading, UV rays, and harsh weather. With anti stain coating for easy cleaning.

- \$450 Wharf 65
- \$295 Ark 40, Base 40, Cosmo 50, Manhattan 50, Martini 50, Mix 850, Nova 850 Pod 40
- \$225 Base 30, Mix 600, Nova 600
- \$895 Gin 90 Bar
- \$795 Gin 90 Dining
- \$695 Gin 90 Chat
- \$595 Gin 90 Low
- \$175 Pod 30
- \$125 Tank



Tank

Tank functions as a side table, or stool. Available in Concrete (Natural, Graphite and Bone colours) and Teak (Natural - oiled) finish.

- \$495 Tank Concrete and Teak

Proudly distributed by



spaworld.com.au

Delivery is not included.