

Jacuzzi[®]

A Jacuzzi hot tub is the central focus, situated on a light-colored stone patio. The tub has a dark, textured lower half and a lighter upper half. It is positioned under a large, modern pergola with a white fabric canopy and dark metal frame. The background features a building with vertical wood slat siding and a large window. The scene is lit with warm, golden light, suggesting late afternoon or early morning. The overall aesthetic is clean, modern, and luxurious.

Dimension and
Specification Handbook

Important Safety Instructions-All Models



© 2024 Jacuzzi Hot Tubs. Jacuzzi may make product modifications and enhancements. Therefore, specifications may change without notice. Dimensions are approximate and for reference only.



CAUTION: ALWAYS MEASURE EACH SPA FOR EXACT DIMENSIONS BEFORE DESIGNING ITS FOUNDATIONAL SUPPORT AND/OR DECKING.



When designing a foundational support, always account for the following load factors:

1. Filled spa weight, plus (+)
2. Combined occupant weight at the maximum seating capacity, plus (+)
3. Weight of the support decking, when applicable.



The technical data given in this publication is for reference only. It implies no warranty of kind.



Dimensions/Specifications subject to change without notice. Spa operation subject to change without notice.

Table of Contents

Jacuzzi J-400™ Collection Hot Tubs	7
J-495™ Specifications	7
J-495 Operations	8
J-495 Dimensions.....	9
J-485™ Specifications	10
J-485 Operations	11
J-485 dimensions	12
J-475™ Specifications	13
J-475 Operations	14
J-475 Dimensions.....	15
J-445™ Specifications	16
J-445 Operations	17
J-445 Dimensions.....	18
J-435™ Specifications	19
J-435 Operations	20
J-435 Dimensions.....	21
Jacuzzi J-LX® Collection Hot Tubs	22
J-LXL® Specifications	22
J-LXL Operations	23
J-LXL Dimensions	24
J-LX® Specifications.....	25
J-LX Operations.....	26
J-LX Dimensions	27
Jacuzzi J-300™ Collection Hot Tubs	28
J-385™ Specifications	28
J-385 Operations	29
J-385 Dimensions.....	30
J-375™ Specifications	31
J-375 Operations	32
J-375 Dimensions.....	33

Table of Contents

J-365™ Specifications	34
J-365 Operations	35
J-365 Dimensions	36
J-355™ Specifications	37
J-355 Operations	38
J-355 Dimensions	39
J-345™ Specifications	40
J-345 Operations	41
J-345 Dimensions	42
J-335™ Specifications	43
J-335 Operations	44
J-335 Dimensions	45
J-325™ Specifications	46
J-325 Operations	47
J-325 Dimensions	48
J-315™ Specifications	49
J-315 Operations	50
J-315 Dimensions	51
Jacuzzi J-200™ Collection Hot Tubs	52
J-285™ Specifications	52
J-285 Operations	53
J-285 Dimensions	54
J-275™ Specifications	55
J-275 Operations	56
J-275 Dimensions	57
J-245™ Specifications	58
J-245 Operations	59
J-245 Dimensions	60

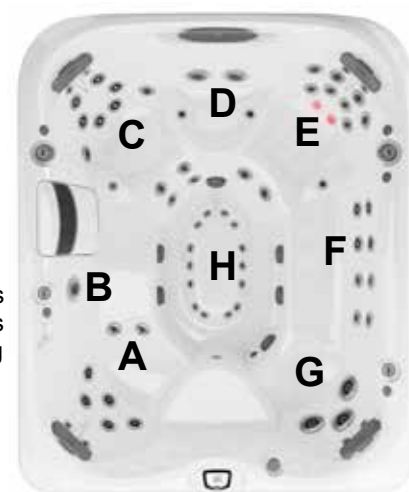
Table of Contents

J-235™ Specifications	61
J-235 Operations	62
J-235 Dimensions	63
J-225™ Specifications	64
J-225 Operations	65
J-225 Dimensions	66
J-215™ Specifications	67
J-215 Operations	68
J-215 Dimensions	69
Play™ Collection	70
Soul™ 30 Jets Square Lounge Specifications	70
Soul 30 Jets Square Lounge Operation/Seat Depths	71
Soul 30 Jets Square Lounge Portable Dimensions	72
Echo™ 30 Jets Square Specifications	73
Echo 30 Jets Square Operation/Seat Depths	74
Echo 30 Jets Square Portable Dimensions	75
Mood™ 20 Jets Rectangle Specifications	76
Mood 20 Jets Rectangle Operation/Seat Depths	77
Mood 20 Jets Rectangle Portable Dimensions	78
Complete Dimensions -J 400™ Collection Models	79
Complete Dimensions - J300™ Collection Models	81
Complete Dimensions - J200™ Collection Models	82

Jacuzzi J-495

Specifications

Seating Capacity	8-9 Adults
Dimensions	91" x 110" x 37.5" Front/43.5" Back, (231.1 cm x 279.4 cm x 95.25 cm Front/110.5 cm Back); For complete dimensions, See page 79
Perimeter	402 in. (1021.1 cm)
Dry Weight	1,091 lbs (495 kg)
Filled Weight (Spa Volume)	6,679 lbs (3,030 kg)
Filled Weight (Average Fill)	5,261 lbs (2,386 kg)
Water Capacity (Spa Volume)	670 US gallons (2,536 Liters)
Water Capacity (Average Fill)	500 US gallons (1,893 Liters)
Electronic Controls	ProTouch™ 2 LCD control panel, user interface displays temperature, time, cycles and fingertip jet control. Offers customizing of pre-programmed filtration cycles, heating modes and water temperature setting.
Pump 1	North America (60 Hz): 1-Speed, 5.1 HP break, 2.5 HP continuous, 56 Frame
Export (50 Hz):	1-Speed, 2.0 HP continuous
Pump 2	North America (60 Hz): 1-Speed, 5.1 HP break, 2.5 HP continuous, 56 Frame
Export (50 Hz):	1-Speed, 2.0 HP continuous
Pump 3	North America (60 Hz): 1-Speed, 5.1 HP break, 2.5 HP continuous, 56 Frame
Export (50 Hz):	1-Speed, 2.0 HP continuous
Circulation Pump	Yes, 8-Hour
Total PowerPro® Jets	69 (plus 2 IR Light Therapy)
Seat A Jets	2 PowerPro® NX2, 2 PowerPro® FX, 5 PowerPro® RX
Seat B Jets	1 PowerPro® FX Large Rotational
Seat C Jets	2 PowerPro® NX2, 6 PowerPro® RX, 2 PowerPro® FX Directional, 2 PowerPro® PX, 4 PowerPro® FX
Seat D Jets	2 PowerPro® FX Large Rotational
Seat E Jets	2 PowerPro® NX2, 4 PowerPro® FX Rotational, 4 PowerPro® FX, 2 IR Light Therapy, 2 PowerPro® PX, 2 PowerPro® FX Directional
Seat F Jets	4 PowerPro® FX, 4 PowerPro® RX
Seat G Jet	2 PowerPro® NX2, 3 PowerPro® MX
Footwell (H)	14 PowerPro® FX Small
Massage Selectors	2
Air Controls	5
Water Management System	One ProClarity® 40 ft ² filter cartridge and 1 ProClarity® depth load filter on 8-hour circulation pump; one ProCatch® bag with ProClear® 60 ft filter; Floating Weir; Factory installed CLEARARRAY Active Oxygen™ Clean Water System
Export (50 Hz):	Factory installed CLEARARRAY Active Oxygen™ Clean Water System
LED Lighting	Waterfall light, massage selectors, cupholders, underwater, indicator light, and exterior lights (standard)
ProFinish™ Cabinet Colors	Modern Hardwood, Brushed Gray, and Smoked Ebony
Acrylic Colors	Platinum, Silver Pearl, Midnight, Monaco, Porcelain
Headrests	4
Waterfalls	Two with independent flow rate (on or off) adjustment; powered by 8-hour circulation pump
Heater:	North America (60 Hz): 5.5 kW, High Flow
Export (50 Hz):	High Flow, 2.7 kW
Electrical Requirements:	North America (60 Hz): 240 VAC@50A or 60A Export (50 Hz): 220-240 VAC@ 1x32A, 1x40A, 1x32A/1x16A, 3x16A or suitably rated circuit breaker to comply with local electrical codes. Certain countries may require dual power inputs; two GFCI RCD breakers are required for this configuration.
Warranty*	North America (60 Hz): 10 Years Shell, 7 Years Shell Surface, 5 Years Plumbing Component Leaks, 5 Years Equipment and Controls, 5 Years Cabinet, 2 Years Jets, 2 Years Lights, 1 Year Stereo; Export (50 Hz): 10 Years Shell, 7 Years Shell Surface, 5 Years Plumbing Component Leaks, 5 Years Equipment and Controls, 5 Years Cabinet, 2 Years Jets, 2 Years Lights, 2 Years Stereo
Special Features (Optional)	SmartTub® Module
Audio System (Optional)	BLUEWAVE® Spa Stereo System with Bluetooth capability and Aux 3.5 mm headphone jack port; 4 premium speakers, a powered subwoofer

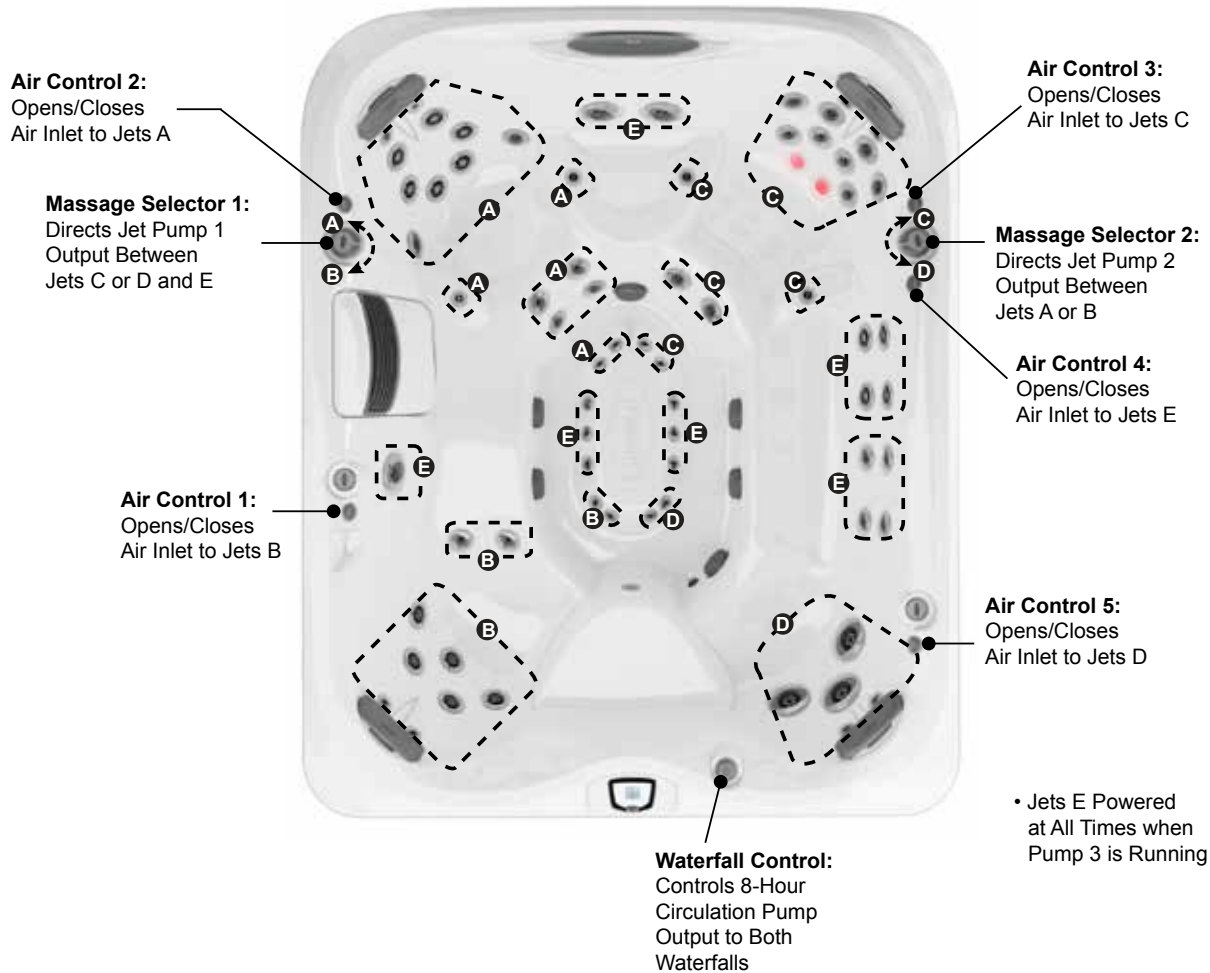


*(See Warranty Document for Specific Details)

Dimensions/Specifications are Subject to Change Without Notice

Jacuzzi J-495

Operation/Seat Depths



69 Total Jets (plus 2 IR Light Therapy)



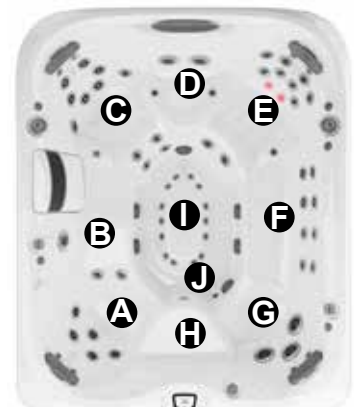
Spa Operation Subject to Change without Notice

Seat Depths

A = 27.75" (70.49 cm)
B = 18.75" (47.63 cm)
C = 29.00" (73.66 cm)
D = 19.00" (73.03 cm)
E = 27.00" (68.58 cm)
F = 23.00" (58.42 cm)

G = 25.50" (64.77 cm)
H = 17.75" (45.09 cm)
I = 30.75" (78.11 cm)
J = 33.00" (83.82 cm)

Listed dimensions represent distance from top of acrylic to lowest point in seat. **Tolerance ± 0.5" (1.27 cm).**

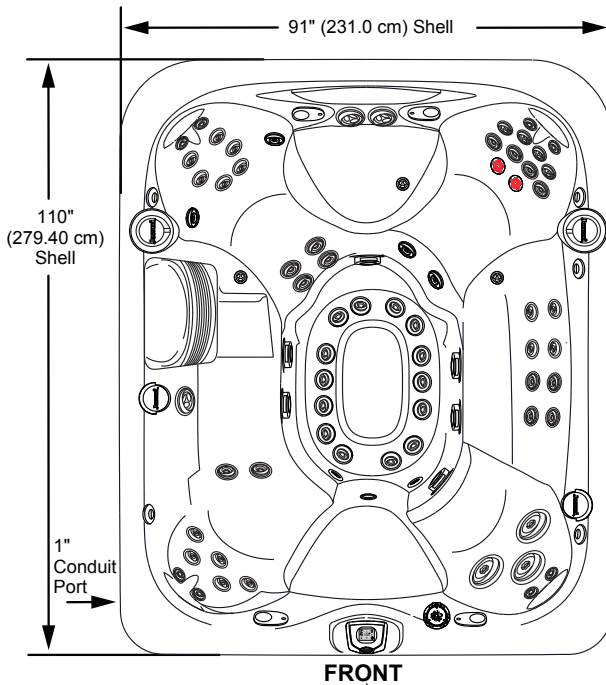


Dimensions/Specifications are Subject to Change Without Notice

Jacuzzi J-495

Dimensions

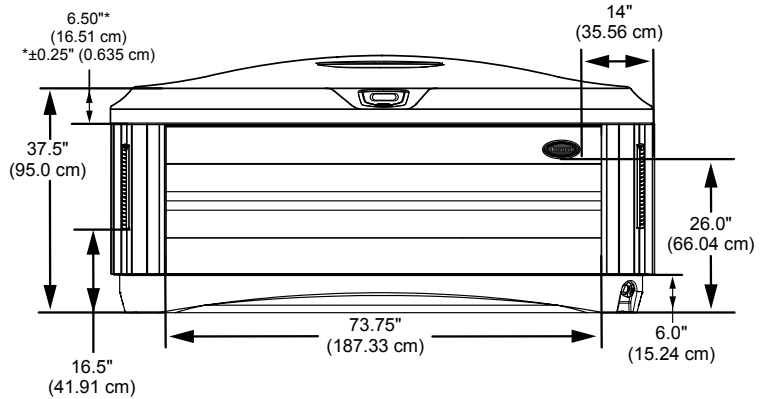
TOP VIEW



Equipment Bay/Pump Access
CLEARRAY, Optional BLUEWAVE®,
and Optional SmartTub System
located behind the cabinet

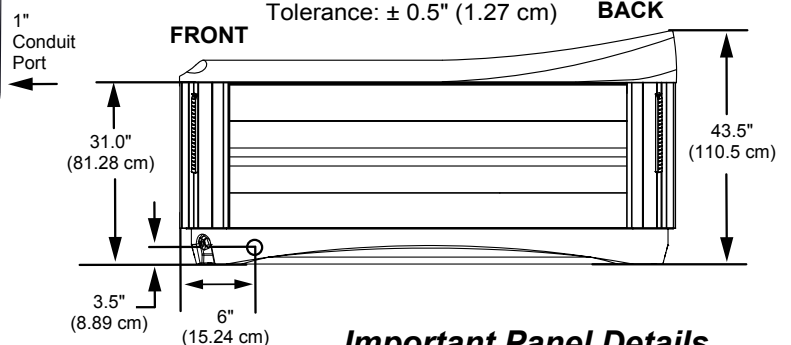
FRONT VIEW

Tolerance: $\pm 0.5"$ (1.27 cm)



RIGHT SIDE VIEW

Tolerance: $\pm 0.5"$ (1.27 cm)

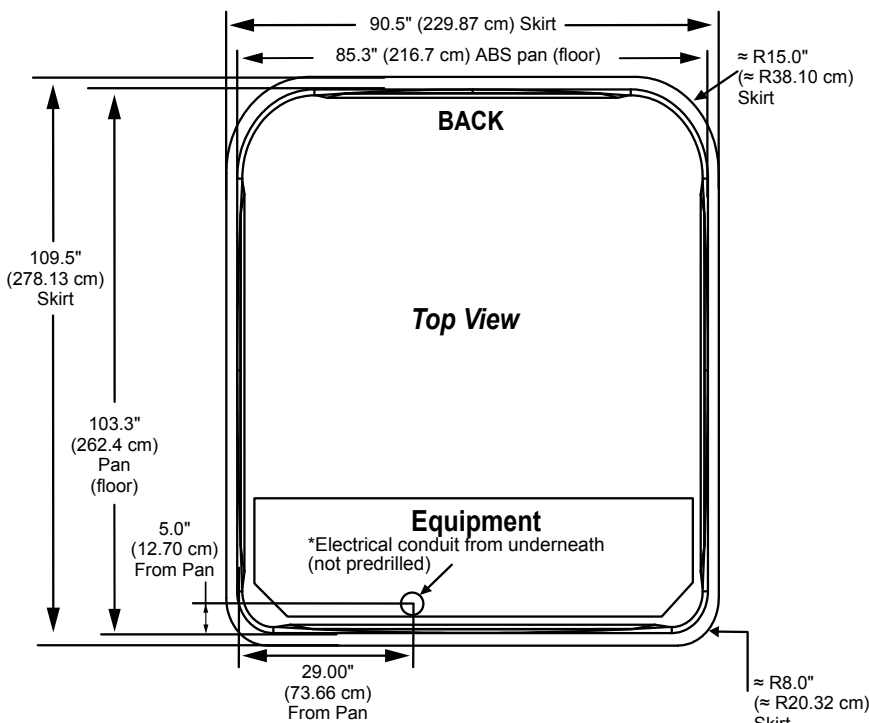


Important Panel Details

NOTE: Over time the panel(s) may bow, this is considered normal. The panels will straighten out when reinstalled into the mounting channel. Place one end of the panel into the channel first then flatten the panel and insert the other end.



IMPORTANT! Always measure each hot tub for exact dimensions **BEFORE** designing its foundational support and/or decking.



Dimensions/specifications subject to change without notice. Tolerance $\pm 0.5"$ (1.27 cm)

Jacuzzi J-485

Specifications

Seating Capacity	6-7 Adults
Dimensions	91" x 91" x 37.5" Front/43.5" Back, (231.14 cm x 231.14 cm x 95.25 cm Front/110.5 cm Back); For complete dimensions, See page 79
Perimeter	364 in. (924.6 cm)
Dry Weight	916 lbs (415 kg)
Filled Weight (Average Fill)	4,544 lbs (2,061 kg)
Water Capacity (Average Fill)	435 US gallons (1,647 Liters)
Filled Weight (Spa Volume)	5,336 lbs (2,421 kg)
Water Capacity (Spa Volume)	530 US gallons (2,006 Liters)
Electronic Controls	ProTouch™ 2 LCD control panel, user interface displays temperature, time, cycles and fingertip jet control. Offers customizing of pre-programmed filtration cycles, heating modes and water temperature setting.
Pump 1	North America (60 Hz): 1-Speed, 5.1 HP break, 2.5 HP continuous, 56 Frame Export (50 Hz): 1-Speed, 2.0 HP continuous
Pump 2	North America (60 Hz): 1-Speed, 5.1 HP break, 2.5 HP continuous, 56 Frame Export (50 Hz): 1-Speed, 2.0 HP continuous
Circulation Pump	Yes, 8-Hour
Total PowerPro® Jets	47 (plus 2 IR Light Therapy)
Seat A Jets	2 PowerPro® NX2, 3 PowerPro® MX
Seat B Jets	2 PowerPro® NX2, 6 PowerPro® RX
Seat C Jets	2 PowerPro® FX Large
Seat D Jets	2 PowerPro® NX2, 4 PowerPro® FX Rotational, 6 PowerPro® FX, 2 PowerPro® PX
Seat E Jets	2 PowerPro® RX, 2 PowerPro® FX
Seat F Jets	4 PowerPro® FX, 1 PowerPro® FX Large Rotational, 2 PowerPro® FX Rotational
Footwell (G)	8 PowerPro® FX Small, 1 PowerPro® FX Large
Massage Selectors	2
Air Controls	4, On/Off rocker switch air controller
Water Management System	One ProClarity® 40 ft ³ filter cartridge and 1 ProClarity® depth load filter on 8-hour circulation pump; one ProCatch® bag with ProClear® 60 ft ³ filter; Floating Weir; Factory installed CLEARARRAY Active Oxygen™ Clean Water System Export (50 Hz): Factory installed CLEARARRAY Active Oxygen™ Clean Water System
LED Lighting	Waterfall light, massage selectors, cupholders, underwater, indicator light, and exterior lights (standard)
ProFinish™ Cabinet Colors	Modern Hardwood, Brushed Gray, and Smoked Ebony
Acrylic Colors	Platinum, Silver Pearl, Midnight, Monaco, Porcelain
Headrests	4
Waterfall	One with independent flow rate (on or off) adjustment; powered by 8-hour circulation pump
Heater:	North America (60 Hz): 5.5 kW, High Flow Export (50 Hz): High Flow, 2.7 kW
Electrical Requirements:	North America (60 Hz): 240 VAC@40A, 50A, or 60A Export (50 Hz): 220-240 VAC@ 1x32A, 1x20A/1x16A, 3x16A or suitably rated circuit breaker to comply with local electrical codes. Certain countries may require dual power inputs; two GFCI RCD breakers are required for this configuration.
Warranty*	North America (60 Hz): 10 Years Shell, 7 Years Shell Surface, 5 Years Plumbing Component Leaks, 5 Years Equipment and Controls, 5 Years Cabinet, 2 Years Jets, 2 Years Lights, 1 Year Stereo; Export (50 Hz): 10 Years Shell, 7 Years Shell Surface, 5 Years Plumbing Component Leaks, 5 Years Equipment and Controls, 5 Years Cabinet, 2 Years Jets, 2 Years Lights, 2 Years Stereo
Special Features (Optional)	SmartTub® Module
Audio System (Optional)	BLUEWAVE® Spa Stereo System with Bluetooth capability and Aux 3.5 mm headphone jack port; 4 premium speakers, a powered subwoofer

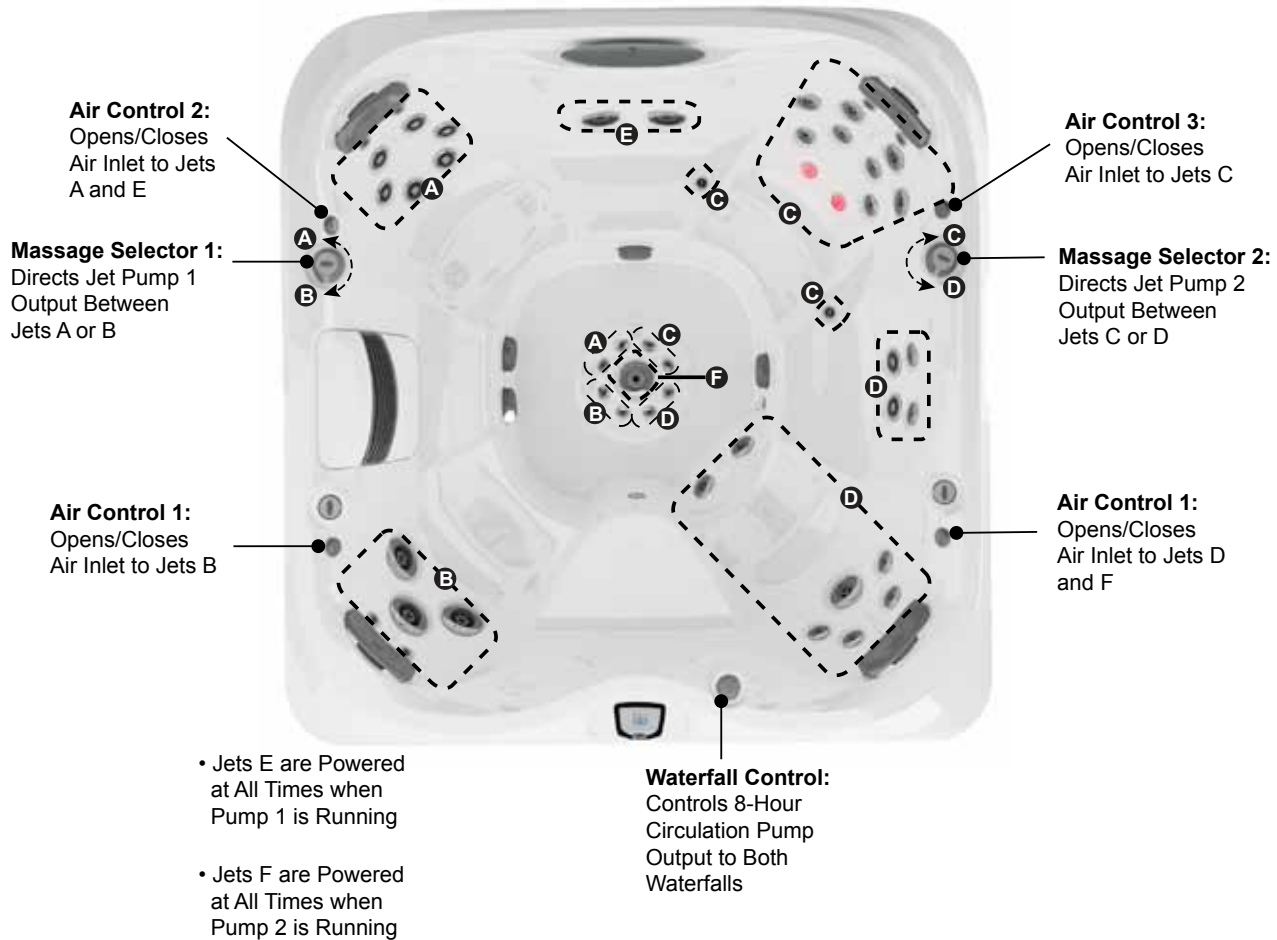


*(See Warranty Document for Specific Details)

Dimensions/Specifications are Subject to Change Without Notice

Jacuzzi J-485

Operation/Seat Depths



47 Total Jets (plus 2 IR Light Therapy)

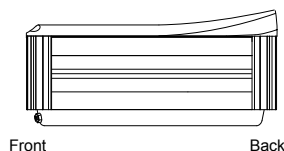


Spa Operation Subject to Change without Notice

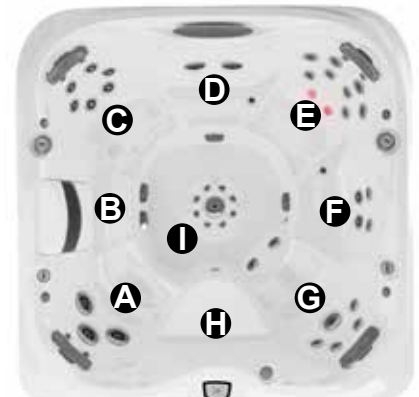
Seat Depths

A = 25.25" (64.14 cm)
B = 23.00" (58.42 cm)
C = 29.50" (74.93 cm)
D = 23.25" (59.06 cm)
E = 29.25" (74.30 cm)
F = 21.00" (53.34 cm)

G = 27.38" (69.55 cm)
H = 17.25" (43.82 cm)
I = 32.50" (82.55 cm)



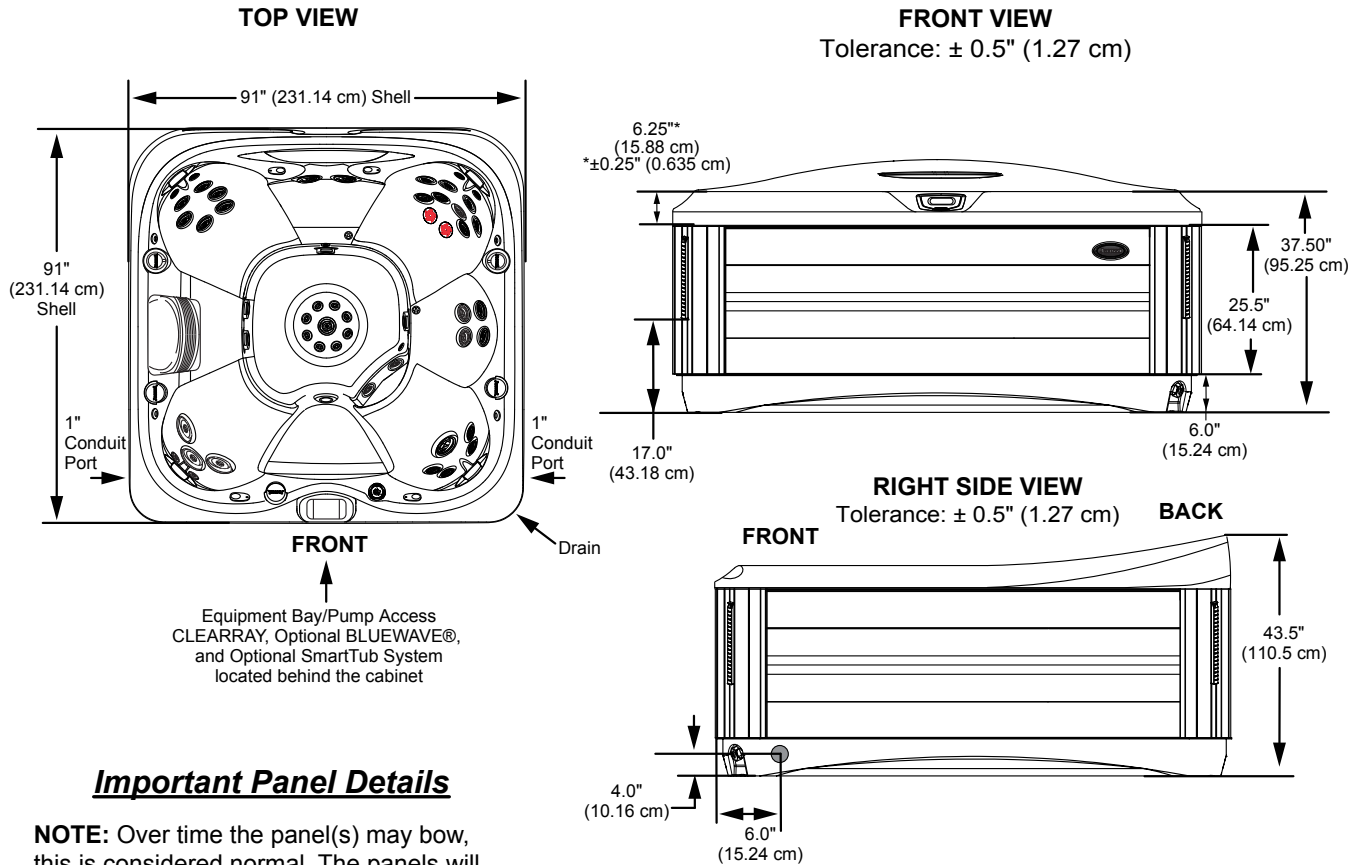
Listed dimensions represent distance from top of acrylic to lowest point in seat.
Tolerance ± 0.5" (1.27 cm).



Dimensions/Specifications are Subject to Change Without Notice

Jacuzzi J-485

Dimensions

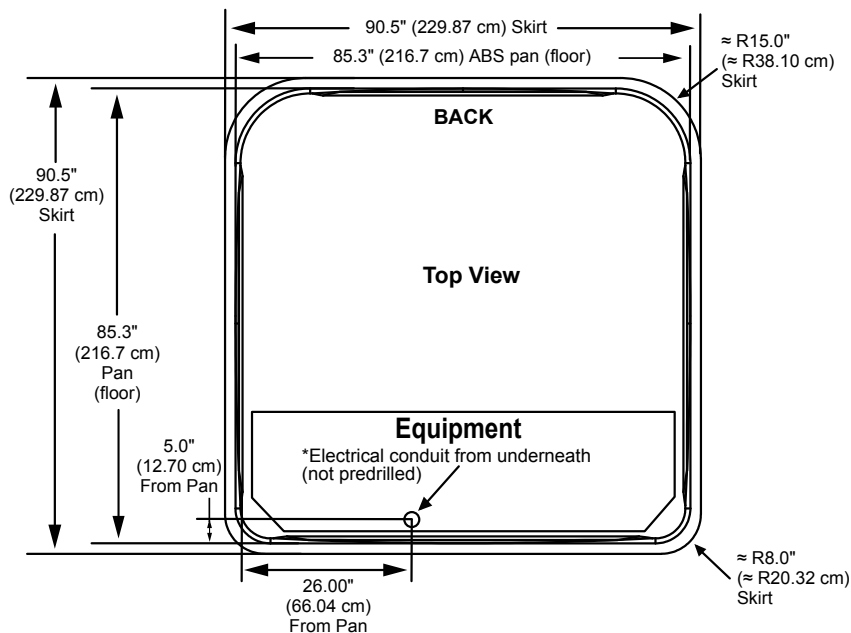


Important Panel Details

NOTE: Over time the panel(s) may bow, this is considered normal. The panels will straighten out when reinstalled into the mounting channel. Place one end of the panel into the channel first then flatten the panel and insert the other end.




***IMPORTANT! Always measure each hot tub for exact dimensions BEFORE designing its foundational support and/or decking.**



Dimensions/specifications subject to change without notice. Tolerance ±0.5" (1.27 cm)

Jacuzzi J-475

Specifications

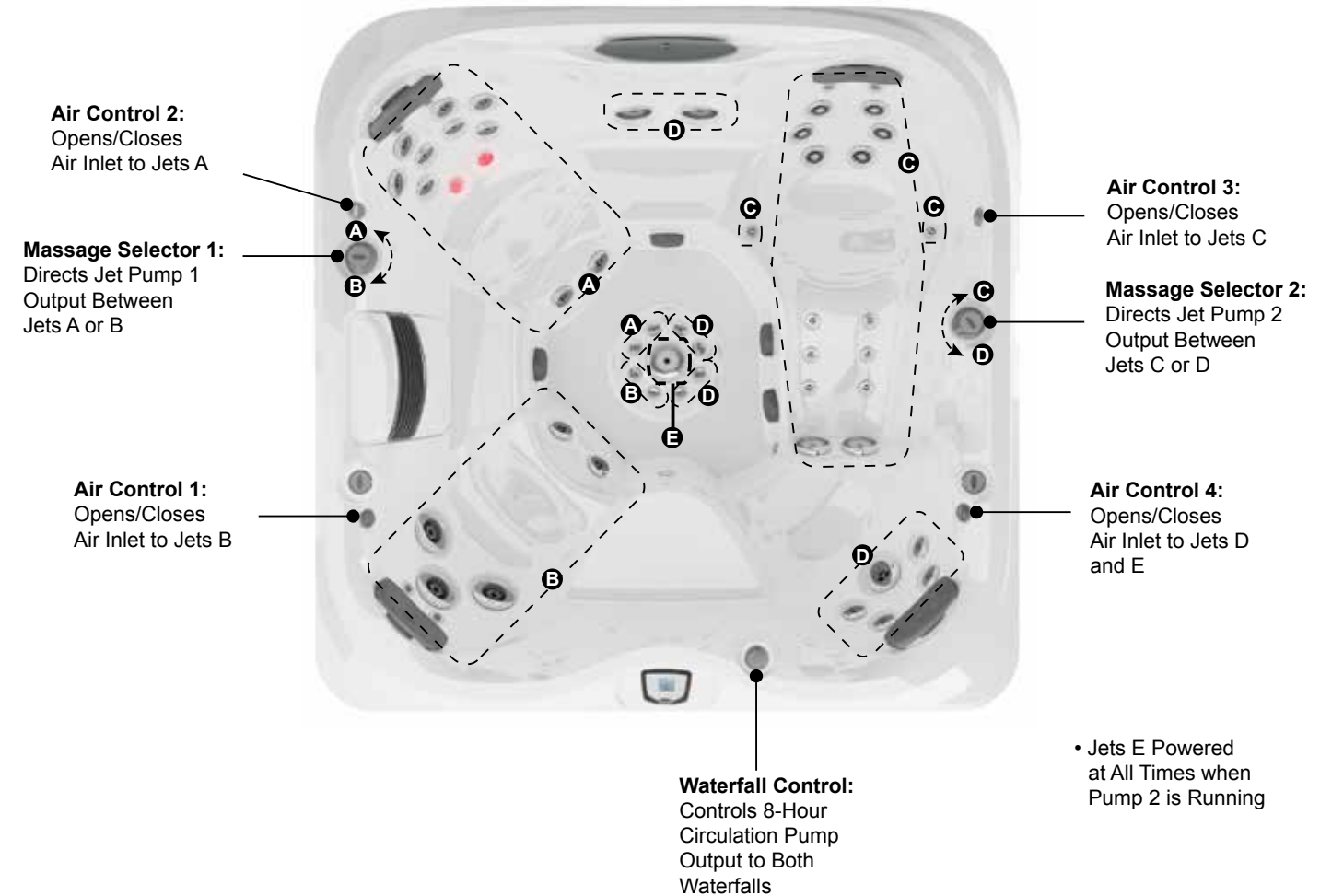
Seating Capacity	6-7 Adults	
Dimensions	91" x 91" x 37.5" Front/43.5" Back, (231.14 cm x 231.14 cm x 95.25 cm Front/110.5 cm Back); For Complete Dimensions, See page 79	
Perimeter	364 in. (924.6 cm)	
Dry Weight	925 lbs (419.5 kg)	
Filled Weight (Average Fill)	4,595 lbs (2,084 kg)	
Water Capacity (Average Fill)	440 US gallons (1,666 Liters)	
Filled Weight (Spa Volume)	5,387 lbs (2,444 kg)	
Water Capacity (Spa Volume)	535 US gallons (2,025 Liters)	
Electronic Controls	ProTouch™ 2 LCD control panel, user interface displays temperature, time, cycles and fingertip jet control. Offers customizing of pre-programmed filtration cycles, heating modes and water temperature setting.	
Pump 1	North America (60 Hz): 1-Speed, 5.1 HP break, 2.5 HP continuous, 56 Frame Export (50 Hz): 1-Speed, 2.0 HP continuous	
Pump 2	North America (60 Hz): 1-Speed, 5.1 HP break, 2.5 HP continuous, 56 Frame Export (50 Hz): 1-Speed, 2.0 HP continuous	
Circulation Pump	Yes, 8-Hour	
Total PowerPro® Jets	53 (plus 2 IR Light Therapy)	
Seat A Jets	2 PowerPro® NX2, 3 PowerPro® MX, 2 PowerPro® FX Rotational	
Seat B Jets	2 PowerPro® NX2, 6 PowerPro® FX Rotational, 6 PowerPro® FX	
Seat C Jets	2 PowerPro® FX Large	
Seat D Jets	2 PowerPro® NX2, 6 PowerPro® RX, 8 PowerPro® PX, 2 PowerPro® FX Large	
Seat E Jet	4 PowerPro® FX, 1 PowerPro® FX Large Rotational	
Footwell (F)	8 PowerPro® FX Small, 1 PowerPro® FX Large	
Massage Selectors	2	
Air Controls	4, On/Off rocker switch air controller	
Water Management System	One ProClarity® 40 ft ² filter cartridge and 1 ProClarity® depth load filter on 8-hour circulation pump; one ProCatch® bag with ProClear® 60 ft filter; Floating Weir; Factory installed CLEARARRAY Active Oxygen™ Clean Water System Export (50 Hz): Factory installed CLEARARRAY Active Oxygen™ Clean Water System	
LED Lighting	Waterfall light, massage selectors, cupholders, underwater, indicator light, and exterior lights (standard)	
ProFinish™ Cabinet Colors	Modern Hardwood, Brushed Gray, and Smoked Ebony	
Acrylic Colors	Platinum, Silver Pearl, Monaco, Midnight, Porcelain	
Headrests	4	
Waterfall	One with independent flow rate (on or off) adjustment; powered by 8-hour circulation pump	
Heater:	North America (60 Hz): 5.5 kW, High Flow Export (50 Hz): High Flow, 2.7 kW	
Electrical Requirements:	North America (60 Hz): 240 VAC@40A, 50A, or 60A Export (50 Hz): 220-240 VAC@ 1x32A, 1x20A/1x16A, 3x16A or suitably rated circuit breaker to comply with local electrical codes. Certain countries may require dual power inputs; two GFCI RCD breakers are required for this configuration.	
Warranty*	North America (60 Hz): 10 Years Shell, 7 Years Shell Surface, 5 Years Plumbing Component Leaks, 5 Years Equipment and Controls, 5 Years Cabinet, 2 Years Jets, 2 Years Lights, 1 Year Stereo; Export (50 Hz): 10 Years Shell, 7 Years Shell Surface, 5 Years Plumbing Component Leaks, 5 Years Equipment and Controls, 5 Years Cabinet, 2 Years Jets, 2 Years Lights, 2 Years Stereo	
Special Features (Optional)	SmartTub® Module	
Audio System (Optional)	BLUEWAVE® Spa Stereo System with Bluetooth capability and Aux 3.5 mm headphone jack port; 4 premium speakers, a powered subwoofer	

*(See Warranty Document for Specific Details)

Dimensions/Specifications are Subject to Change Without Notice

Jacuzzi J-475

Operation/Seat Depths



53 Total Jets (plus 2 IR Light Therapy)

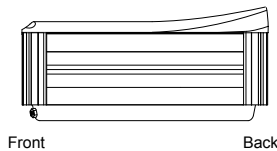


Spa Operation Subject to Change without Notice

Seat Depths

- A = 25.25" (64.14 cm)**
- B = 23.00" (58.42 cm)**
- C = 29.50" (74.93 cm)**
- D = 23.25" (59.06 cm)**
- E = 29.25" (74.30 cm)**
- F = 25.25" (64.14 cm)**

- G = 17.25" (43.82 cm)**
- H = 32.50" (82.55 cm)**
- I = 19.75" (50.17 cm)**
- J = 28.50" (72.39 cm)**



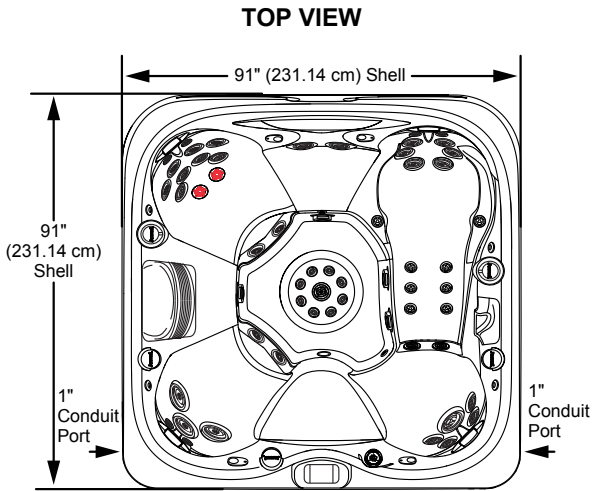
Listed dimensions represent distance from top of acrylic to lowest point in seat.
Tolerance ± 0.5" (1.27 cm).



Dimensions/Specifications are Subject to Change Without Notice

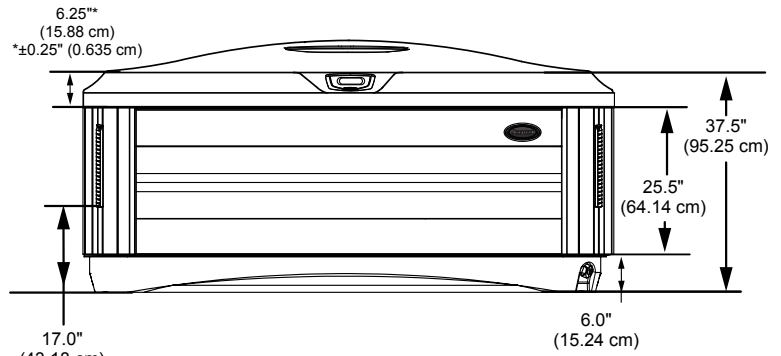
Jacuzzi J-475

Dimensions

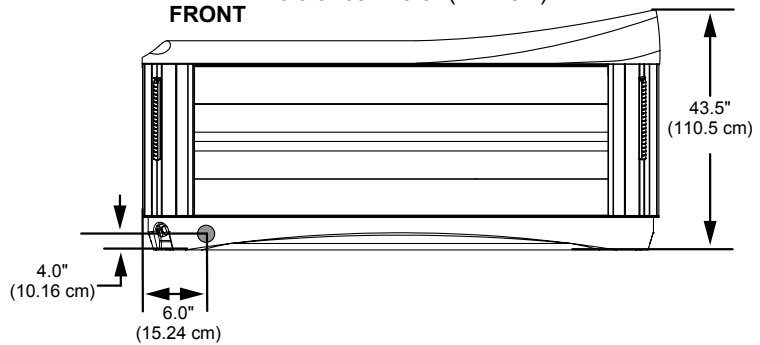


Equipment Bay/Pump Access CLEARRAY, Optional BLUEWAVE®, and Optional SmartTub System located behind the cabinet

FRONT VIEW
Tolerance: $\pm 0.5"$ (1.27 cm)



RIGHT SIDE VIEW
Tolerance: $\pm 0.5"$ (1.27 cm) **BACK**

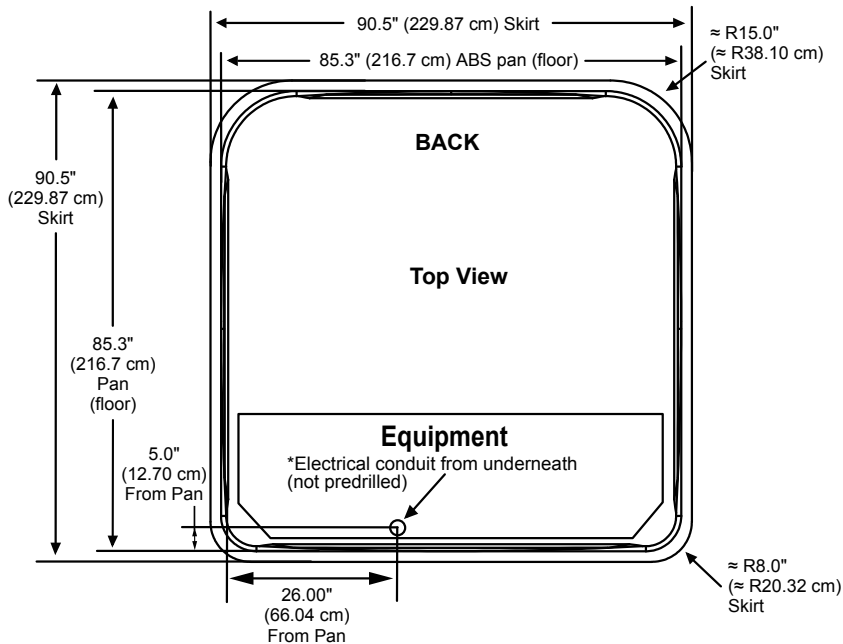


Important Panel Details

NOTE: Over time the panel(s) may bow, this is considered normal. The panels will straighten out when reinstalled into the mounting channel. Place one end of the panel into the channel first then flatten the panel and insert the other end.



***IMPORTANT! Always measure each hot tub for exact dimensions BEFORE designing its foundational support and/or decking.**



Dimensions/specifications subject to change without notice. Tolerance $\pm 0.5"$ (1.27 cm)

Jacuzzi J-445

Specifications

Seating Capacity	6 Adults
Dimensions	84" x 84" x 37.5" Front/43.5" Back, (213.5 cm x 213.5 cm x 95.25 cm Front/110.5 cm Back); For Complete Dimensions, See page 79
Perimeter	336 in. (853.4 cm)
Dry Weight	855 lbs (388 kg)
Filled Weight (Average Fill)	4,024 lbs (1,825 kg)
Water Capacity (Average Fill)	380 US gallons (1,438 Liters)
Filled Weight (Spa Volume)	4,525 lbs (2,052 kg)
Water Capacity (Spa Volume)	440 US gallons (1,666 Liters)
Electronic Controls	ProTouch™ 2 LCD control panel, user interface displays temperature, time, cycles and fingertip jet control. Offers customizing of pre-programmed filtration cycles, heating modes and water temperature setting.
Pump 1	North America (60 Hz): 1-Speed, 5.1 HP break, 2.5 HP continuous, 56 Frame Export (50 Hz):1-Speed, 2.0 HP continuous
Pump 2	North America (60 Hz): 1-Speed, 5.1 HP break, 2.5 HP continuous, 56 Frame Export (50 Hz):1-Speed, 2.0 HP continuous
Circulation Pump	Yes, 8-Hour
Total PowerPro® Jets	43 (plus 2 IR Light Therapy)
Seat A Jets	2 PowerPro® NX2, 3 PowerPro® MX
Seat B Jets	2 PowerPro® RX
Seat C Jets	2 PowerPro® FX, 6 PowerPro® RX, 2 PowerPro® FX Rotational
Seat D Jets	1 PowerPro® FX Large Rotational
Seat E Jets	2 PowerPro® NX2, 4 PowerPro® FX Rotational, 6 PowerPro® FX
Seat F Jets	4 PowerPro® FX, 1 PowerPro® FX Large Rotational, 2 PowerPro® FX Rotational
Footwell (G)	8 PowerPro® FX Small
Massage Selectors	2
Air Controls	4, On/Off rocker switch air controller
Water Management System	One ProClarity® 40 ft ³ filter cartridge and 1 ProClarity® depth load filter on 8-hour circulation pump; one ProCatch® bag with ProClear® 60 ft ³ filter; Floating Weir; Factory installed CLEARARRAY Active Oxygen™ Clean Water System Export (50 Hz):Factory installed CLEARARRAY Active Oxygen™ Clean Water System
LED Lighting	One waterfall with light, one underwater light, cupholders, massage selector lights, indicator light, and exterior lights (standard)
ProFinish™ Cabinet Colors	Modern Hardwood, Brushed Gray, and Smoked Ebony
Acrylic Colors	Platinum, Silver Pearl, Monaco, Midnight, Porcelain
Headrests	4
Waterfall	One with Independent flow rate (on or off) adjustment; powered by 8-hour circulation pump
Heater:	North America (60 Hz): 5.5 kW, High Flow Export (50 Hz):High Flow, 2.7 kW
Electrical Requirements:	North America (60 Hz): 240 VAC@40A, 50A, or 60A Export (50 Hz): 220-240 VAC@ 1x32A, 1x20A/1x16A, or 3x16A or suitably rated circuit breaker to comply with local electrical codes. Certain countries may require dual power inputs; two GFCI RCD breakers are required for this configuration.
Warranty*	North America (60 Hz): 10 Years Shell, 7 Years Shell Surface, 5 Years Plumbing Component Leaks, 5 Years Equipment and Controls, 5 Years Cabinet, 2 Years Jets, 2 Years Lights, 1 Year Stereo Export (50 Hz): 10 Years Shell, 7 Years Shell Surface, 5 Years Plumbing Component Leaks, 5 Years Equipment and Controls, 5 Years Cabinet, 2 Years Jets, 2 Years Lights, 2 Years Stereo
Special Features (Optional)	SmartTub® Module
Audio System (Optional)	BLUEWAVE® Spa Stereo System with Bluetooth capability and Aux 3.5 mm headphone jack port; 4 premium speakers, a powered subwoofer

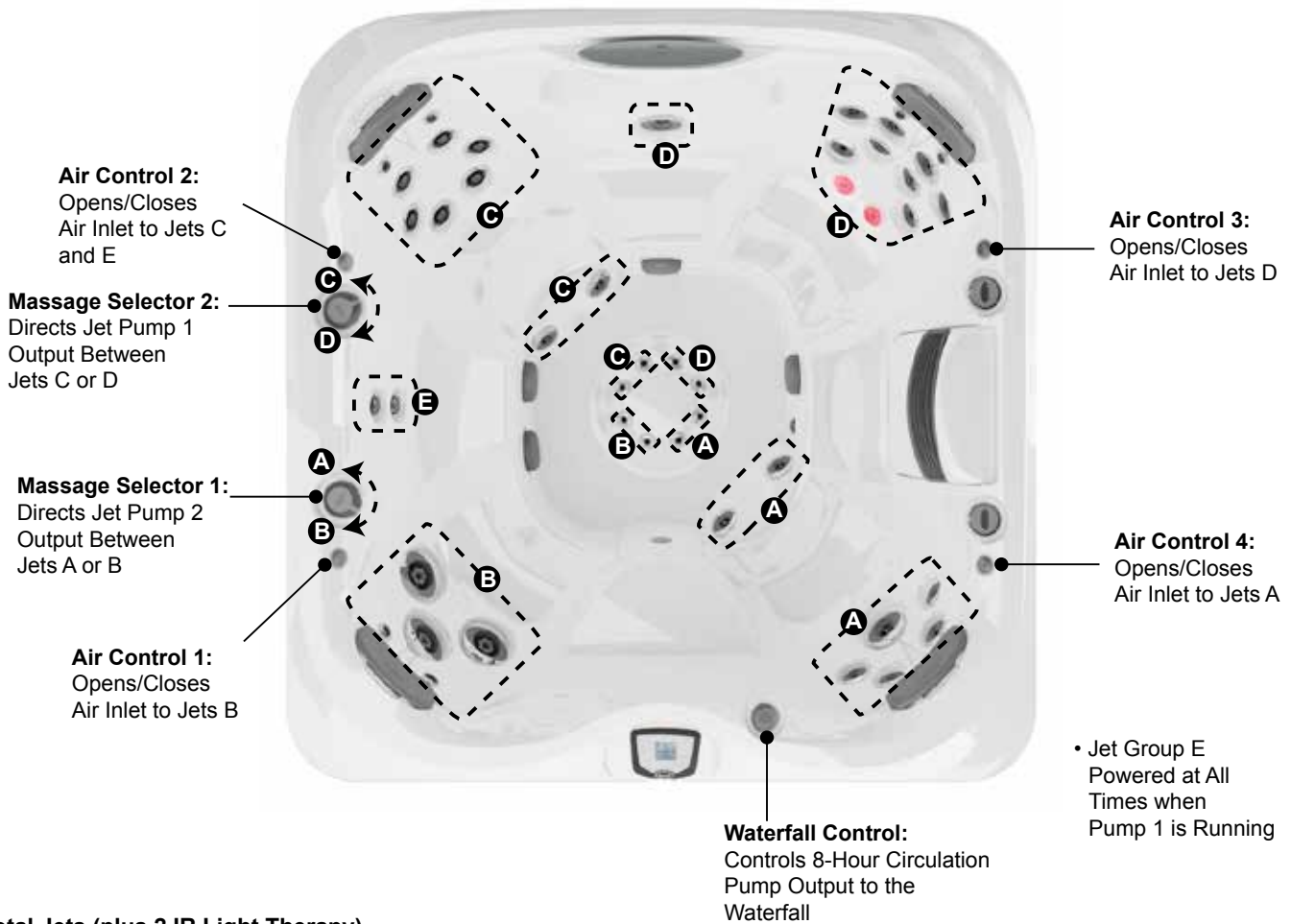


*(See Warranty Document for Specific Details)

Dimensions/Specifications are Subject to Change Without Notice

Jacuzzi J-445

Operation/Seat Depths



43 Total Jets (plus 2 IR Light Therapy)

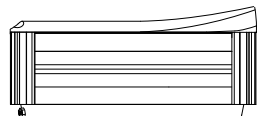


Spa Operation Subject to Change without Notice

Seat Depths

- A = 25.50" (64.77 cm)**
- B = 21.00" (53.34 cm)**
- C = 30.00" (76.20 cm)**
- D = 23.00" (58.42 cm)**
- E = 29.00" (73.66 cm)**
- F = 23.00" (58.42 cm)**

- G = 25.50" (64.77 cm)**
- H = 18.00" (45.72 cm)**
- I = 34.00" (86.36 cm)**



Front Back

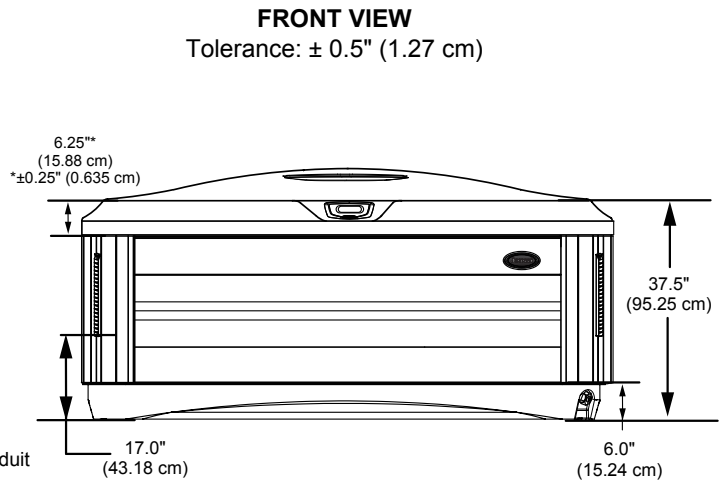
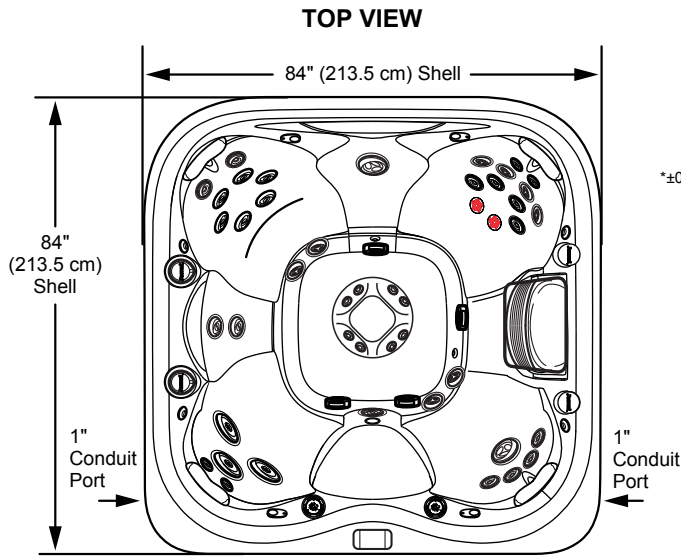
Listed dimensions represent distance from top of acrylic to lowest point in seat. Tolerance $\pm 0.5"$ (1.27 cm).



Dimensions/Specifications are Subject to Change Without Notice

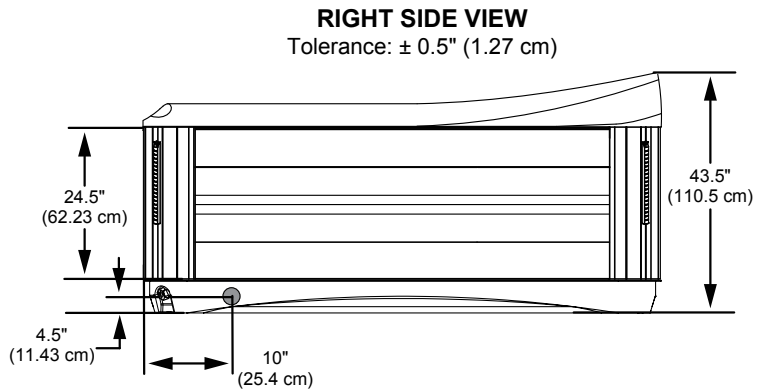
Jacuzzi J-445

Dimensions



FRONT

Equipment Bay/Pump Access
CLEARRAY, Optional BLUEWAVE®,
and Optional SmartTub System
located behind the cabinet

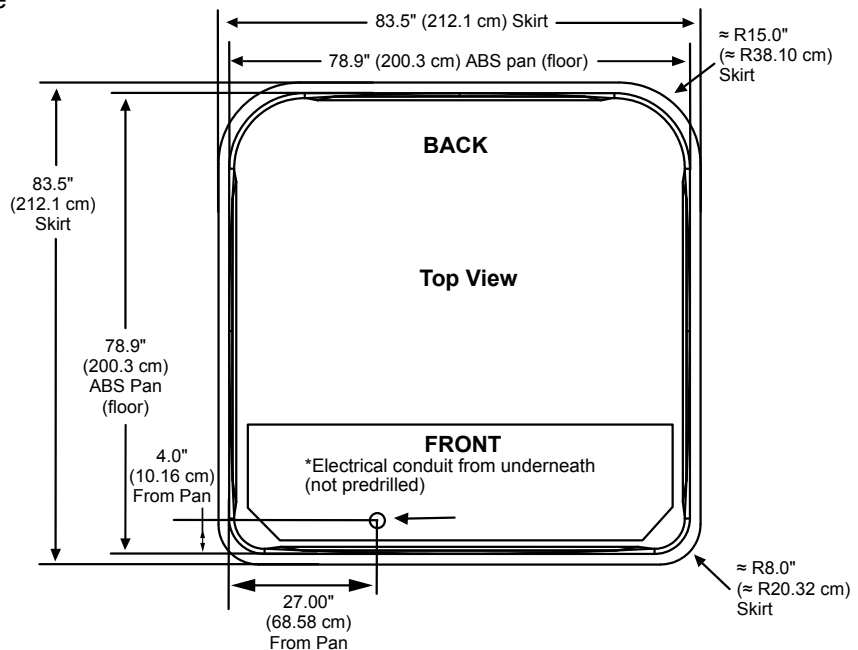


Important Panel Details

NOTE: Over time the panel(s) may bow, this is considered normal. The panels will straighten out when reinstalled into the mounting channel. Place one end of the panel into the channel first then flatten the panel and insert the other end.



***IMPORTANT! Always measure each hot tub for exact dimensions BEFORE designing its foundational support and/or decking.**



Dimensions/specifications subject to change without notice. Tolerance $\pm 0.5"$ (1.27 cm)

Jacuzzi J-435

Specifications

Seating Capacity.....	5-6 Adults
Dimensions	84" x 84" x 37.5" Front/43.5" Back, (213.5 cm x 213.5 cm x 95.25 cm Front/110.5 cm Back); For Complete Dimensions, See page 79
Perimeter	336 in. (853.4 cm)
Dry Weight.....	822 lbs (373 kg)
Filled Weight (Average Fill).....	3,824 lbs (1,735 kg)
Water Capacity (Average Fill).....	360 US gallons (1,363 Liters)
Filled Weight (Spa Volume)	4,492 lbs (2,037 kg)
Water Capacity (Spa Volume).....	440 US gallons (1,666 Liters)
Electronic Controls	ProTouch™ 2 LCD control panel, user interface displays temperature, time, cycles and fingertip jet control. Offers customizing of pre-programmed filtration cycles, heating modes and water temperature setting.
Pump 1.....	North America (60 Hz): 1-Speed, 5.1 HP break, 2.5 HP continuous, 56 Frame
Export (50 Hz):	1-Speed, 2.0 HP continuous
Pump 2.....	North America (60 Hz): 1-Speed, 5.1 HP break, 2.5 HP continuous, 56 Frame
Export (50 Hz):	1-Speed, 2.0 HP continuous
Circulation Pump.....	Yes, 8-Hour
Total PowerPro® Jets.....	45 (plus 2 IR Light Therapy)
Seat A Jets	3 PowerPro® FX
Seat B Jets	2 PowerPro® NX2, 6 PowerPro® RX, 2 PowerPro® PX, 6 PowerPro® FX Small, 2 PowerPro® FX Rotational
Seat C Jets	1 PowerPro® FX Large Rotational
Seat D Jets	2 PowerPro® NX2, 4 PowerPro® FX Rotational, 6 PowerPro® FX
Seat E Jets	2 PowerPro® RX
Seat F Jets.....	2 PowerPro® NX2, 3 PowerPro® MX, 2 PowerPro® FX Rotational
Footwell (G).....	4 PowerPro® FX Small
Massage Selectors	2
Air Controls.....	3, On/Off rocker switch air controller
Water Management System.....	One ProClarity® 40 ft ² filter cartridge and 1 ProClarity® depth load filter on 8-hour circulation pump; one ProCatch® bag with ProClear® 60 ft ² filter; Floating Weir; Factory installed CLEARARRAY Active Oxygen™ Clean Water System
Export (50 Hz):	Factory installed CLEARARRAY Active Oxygen™ Clean Water System
LED Lighting	One waterfall with light, one underwater light, cupholder, massage selector lights, indicator light, and exterior lights (standard)
ProFinish™ Cabinet Colors.....	Modern Hardwood, Brushed Gray, and Smoked Ebony
Acrylic Colors	Platinum, Silver Pearl, Monaco, Midnight, Porcelain
Headrests	3
Waterfall	One with Independent flow rate (on or off) adjustment; powered by 8-hour circulation pump
Heater:.....	North America (60 Hz): 5.5 kW, High Flow
Export (50 Hz):	High Flow, 2.7 kW
Electrical Requirements:	North America (60 Hz): 240 VAC@40A, 50A, or 60A Export (50 Hz): 220-240 VAC@ 1x32A, 1x20A/1x16A, or 3x16A or suitably rated circuit breaker to comply with local electrical codes. Certain countries may require dual power inputs; two GFCI RCD breakers are required for this configuration.
Warranty*.....	North America (60 Hz): 10 Years Shell, 7 Years Shell Surface, 5 Years Plumbing Component Leaks, 5 Years Equipment and Controls, 5 Years Cabinet, 2 Years Jets, 2 Years Lights, 1 Year Stereo Export (50 Hz): 10 Years Shell, 7 Years Shell Surface, 5 Years Plumbing Component Leaks, 5 Years Equipment and Controls, 5 Years Cabinet, 2 Years Jets, 2 Years Lights, 2 Years Stereo
Special Features (Optional).....	SmartTub® Module
Audio System (Optional).....	BLUEWAVE® Spa Stereo System with Bluetooth capability and Aux 3.5 mm headphone jack port; 4 premium speakers, a powered subwoofer

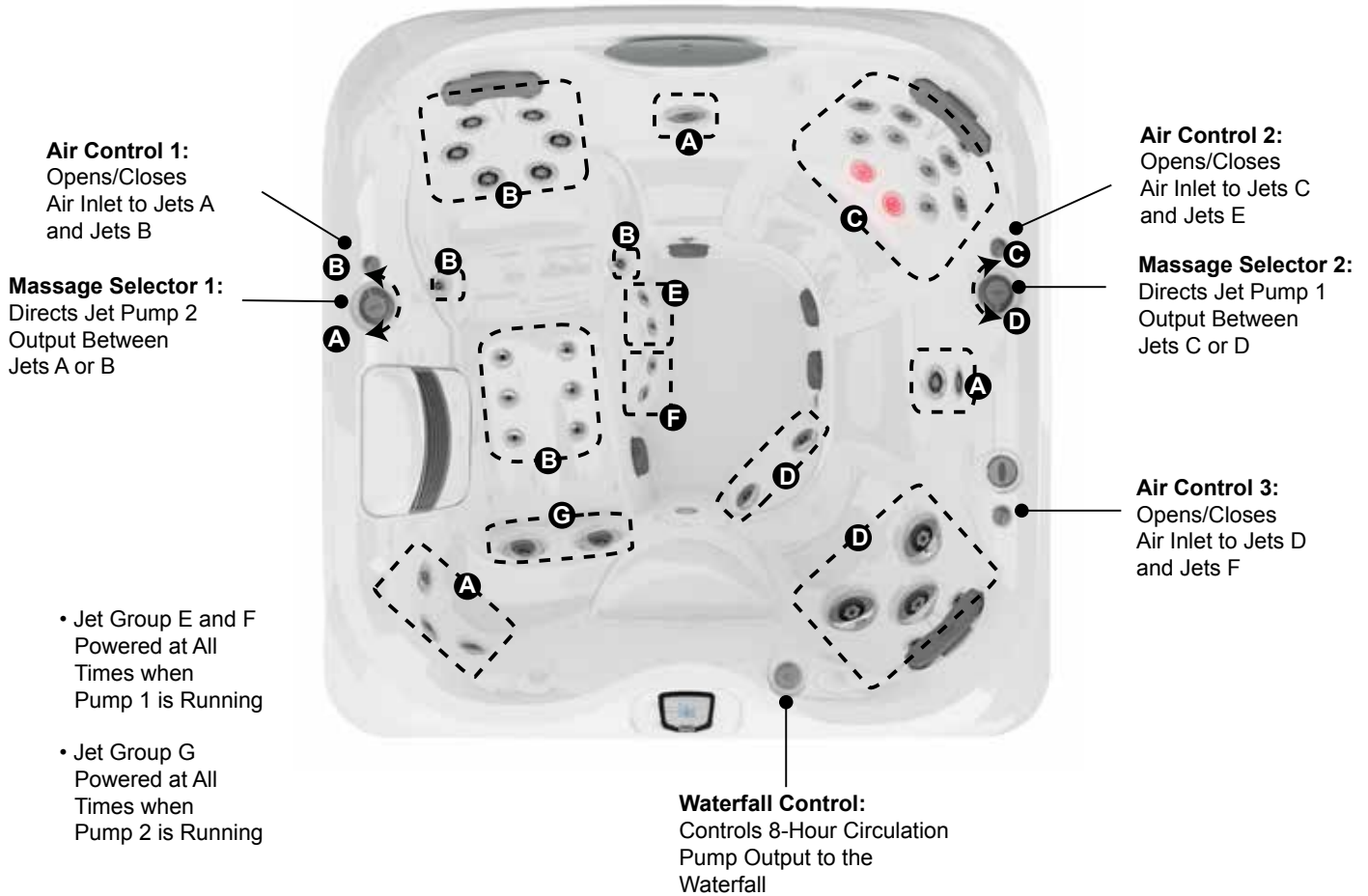


*(See Warranty Document for Specific Details)

Dimensions/Specifications are Subject to Change Without Notice

Jacuzzi J-435

Operation/Seat Depths



45 Total Jets (plus 2 IR Light Therapy)

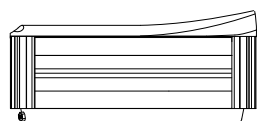


Spa Operation Subject to Change without Notice

Seat Depths

- A = 17.75" (45.09 cm)**
- B = 27.75" (70.49 cm)**
- C = 29.00" (73.66 cm)**
- D = 23.00" (58.42 cm)**
- E = 30.00" (76.20 cm)**
- F = 23.50" (59.69 cm)**

- G = 25.50" (64.77 cm)**
- H = 33.50" (85.09 cm)**
- I = 20.50" (52.07 cm)**



Front Back

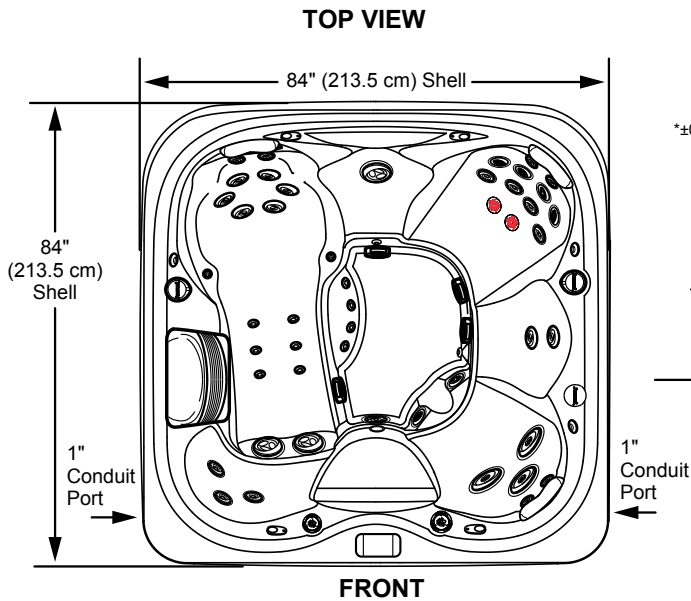
Listed dimensions represent distance from top of acrylic to lowest point in seat. Tolerance $\pm 0.5"$ (1.27 cm).



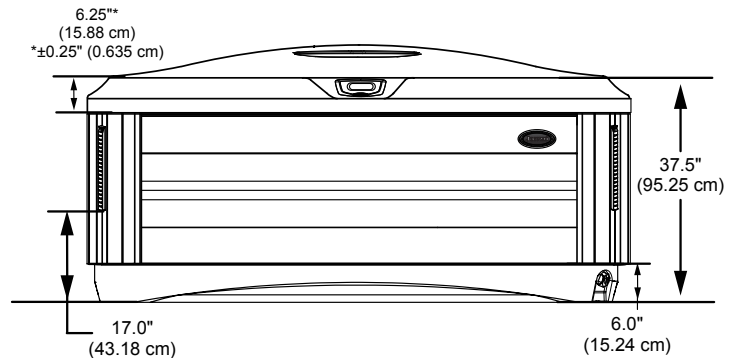
Dimensions/Specifications are Subject to Change Without Notice

Jacuzzi J-435

Dimensions



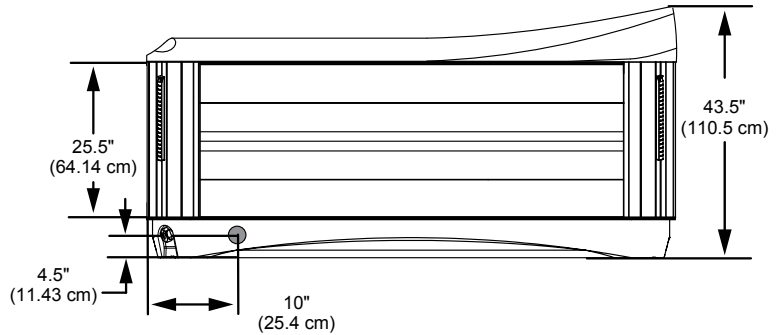
FRONT VIEW
Tolerance: $\pm 0.5"$ (1.27 cm)



FRONT

Equipment Bay/Pump Access
CLEARARRAY, Optional BLUEWAVE®,
and Optional SmartTub System
located behind the cabinet

RIGHT SIDE VIEW
Tolerance: $\pm 0.5"$ (1.27 cm)

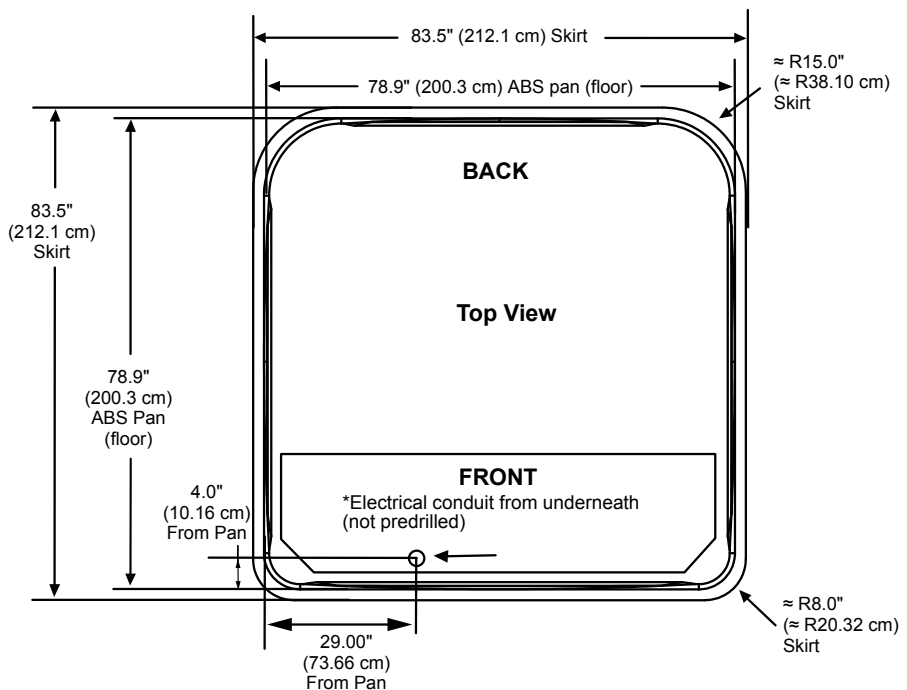


Important Panel Details

NOTE: Over time the panel(s) may bow, this is considered normal. The panels will straighten out when reinstalled into the mounting channel. Place one end of the panel into the channel first then flatten the panel and insert the other end.



***IMPORTANT!** Always measure each hot tub for exact dimensions **BEFORE** designing its foundational support and/or decking.

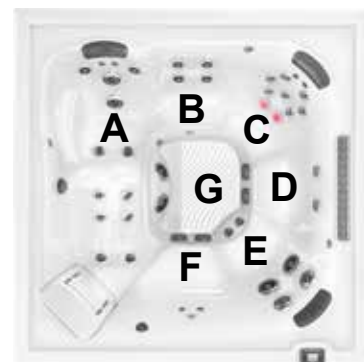


Dimensions/specifications subject to change without notice. Tolerance $\pm 0.5"$ (1.27 cm)

Jacuzzi J-LXL

Specifications

Seating Capacity.....	5-6
Dimensions	89" x 89" x 34" (226.06 cm x 226.06 cm x 86 cm); For complete dimensions, see page 80
Dry Weight.....	914 lbs (415 kg)
Filled Weight (Spa Volume)	4,625 lbs (2,098 kg)
Filled Weight (Average Fill).....	3,666 lbs (1,663 kg)
Water Capacity (Spa Volume).....	445 US gallons (1,685 Liters)- <i>Approximate</i>
Water Capacity (Average Fill).....	330 US gallons (1,249 Liters)- <i>Approximate</i>
Electronic Controls	ProTouch™ 2 LCD control panel, user interface displays temperature, time, cycles and fingertip jet control. Offers customizing of pre-programmed filtration cycles, heating modes and water temperature setting.
Pump 1.....	North America (60 Hz): 1-Speed, 5.1 HP brake, 2.5 HP continuous, 56 Frame
Export (50 Hz):	1-Speed, 2.0 HP continuous
Pump 2.....	North America (60 Hz): 1-Speed, 5.1 HP brake, 2.5 HP continuous, 56 Frame
Export (50 Hz):	1-Speed, 2.0 HP continuous
Circulation Pump.....	Yes, 8-hour
Total PowerPro® Jets.....	39 (Plus 2 IR Light Therapy)
Seat A Jets	2 PowerPro® NX2, 2 PowerPro® RX, 2 PowerPro® FX Large Rotational, 2 PowerPro® FX Rotational, 6 PowerPro® FX
Seat B Jets	4 PowerPro® RX
Seat C Jets	2 PowerPro® NX2, 7 PowerPro® FX, 2 IR Light Therapy
Seat D Jets	2 PowerPro® FX Rotational
Seat E Jets	2 PowerPro® FX Large Rotational, 2 PowerPro® MX
Seat F Jets.....	2 PowerPro® NX2
Footwell (G).....	2 PowerPro® FX, 2 PowerPro® MX
Massage Selector	1
Air Controls.....	3, On/Off rocker switch air controller
Water Management System.....	One ProClarity® 40 ft ² filter cartridge and 1 ProClarity® depth load filter on 8-hour circulation pump; one ProCatch® bag with ProClear® 60 ft ² filter; Floating Weir; Factory installed CLEARARRAY Active Oxygen™ Clean Water System
Export (50 Hz):	Factory installed CLEARARRAY Active Oxygen™ Clean Water System
LED Lighting	Two underwater light with 4 color modes, waterfall lights, exterior corner lights
Cabinet	Modern Hardwood, Brushed Gray, Smoked Ebony
Acrylic Colors	Platinum, Porcelain
Headrests	3
Waterfalls	One; Independent flow rate (on or off) adjustment powered by pump 1
Heater:.....	North America (60 Hz): 5.5 kW, High Flow
Export (50 Hz):	High Flow, 2.7 kW
Electrical Requirements:	North America (60 Hz): 240 VAC@40A, 50A, or 60A Export (50 Hz): 220-240 VAC@1x32A, 1x20A/1x16A, or 3x16A, or suitably rated circuit breaker to comply with local electrical codes. Certain countries may require dual power inputs; two GFCI RCD breakers are required for this configuration.
Warranty*.....	North America (60 Hz): 10 Years Shell, 7 Years Shell Surface, 5 Years Plumbing Component Leaks, 5 Years Equipment and Controls, 5 Years Cabinet, 2 Years Jets, 2 Years Lights; Export (50 Hz): 10 Years Shell, 7 Years Shell Surface, 5 Years Plumbing Component Leaks, 5 Years Equipment and Controls, 5 Years Cabinet, 2 Years Jets, 2 Years Lights
Audio System (Optional).....	N/A

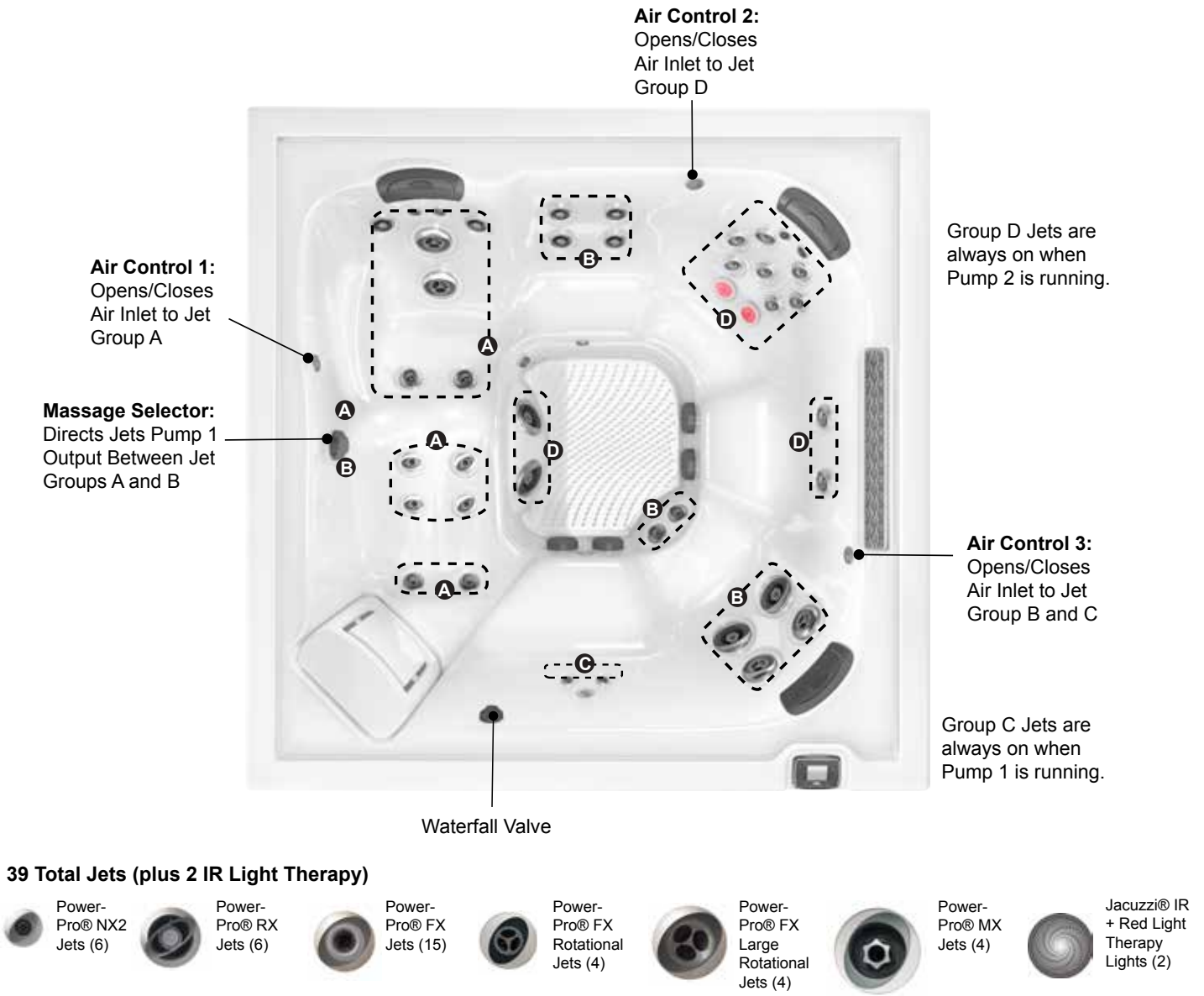


*(See Warranty Document for Specific Details)

Dimensions/Specifications are Subject to Change Without Notice

Jacuzzi J-LXL

Operation/Seat Depths



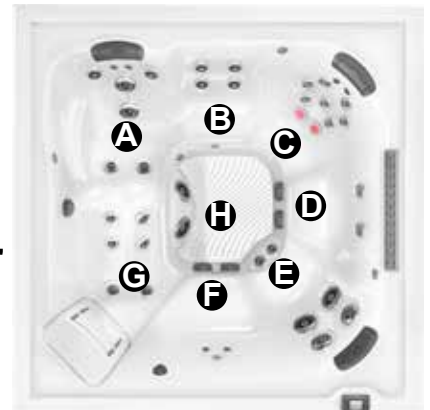
Spa Operation Subject to Change without Notice

Seat Depths

A = 25.00" (63.50 cm)
B = 22.00" (55.88 cm)
C = 27.00" (68.58 cm)
D = 20.88" (53.02 cm)
E = 26.25" (66.68 cm)

F = 18.38" (46.67 cm)
G = 24.25" (61.60 cm)
H = 31.00" (78.74 cm)

Listed dimensions
represent distance
from top of the deck
to lowest point in
seat. Tolerance $\pm 0.5"$
(1.27 cm).

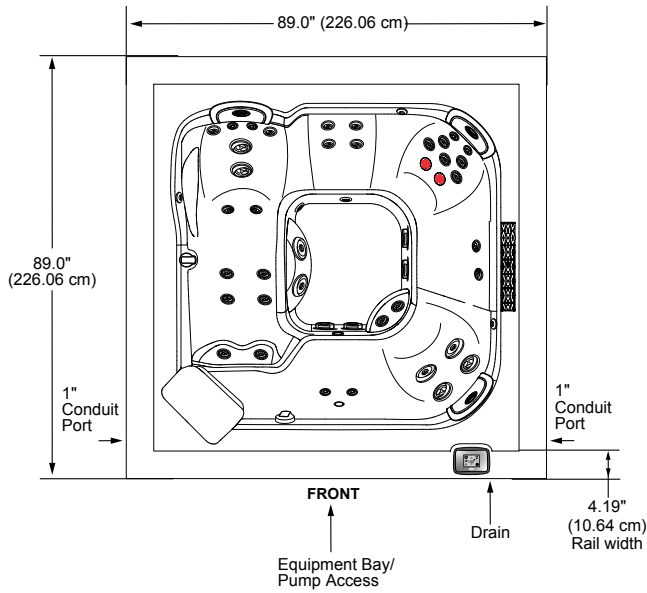


Dimensions/Specifications are Subject to Change Without Notice

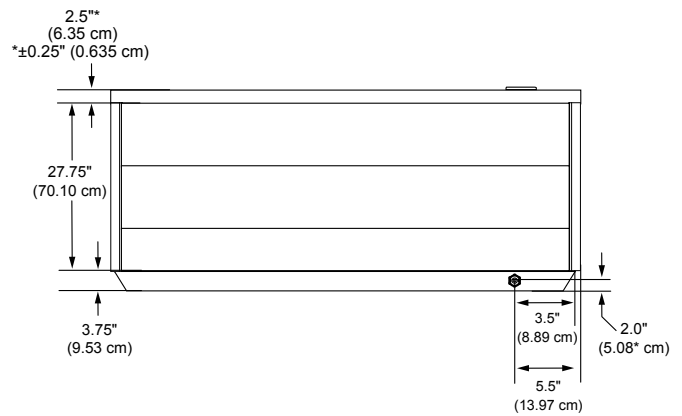
Jacuzzi J-LXL

Dimensions

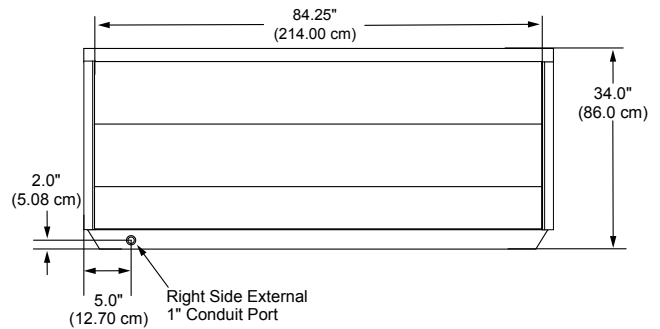
TOP VIEW



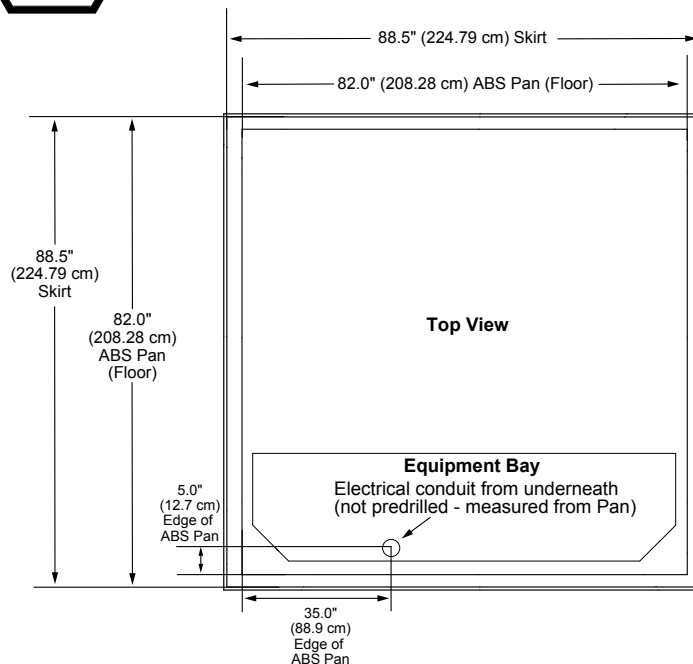
FRONT/BACK SIDE VIEW



RIGHT SIDE VIEW



IMPORTANT! Always measure each hot tub for exact dimensions BEFORE designing its foundational support and/or decking.



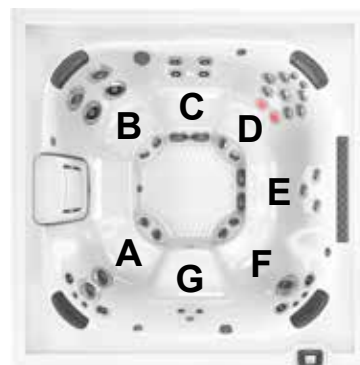
Dimensions/specifications subject to change without notice. Tolerance: ± 0.5" (1.27 cm)

Dimensions/specifications subject to change without notice. Tolerance ±0.5" (1.27 cm)

Jacuzzi J-LX

Specifications

Seating Capacity	6-7
Dimensions	89" x 89" x 34" (226.06 cm x 226.06 cm x 86 cm); For complete dimensions, see page 80
Dry Weight	855 lbs (388 kg)
Filled Weight (Spa Volume)	4,525 (2,052 kg)
Filled Weight (Average Fill)	3,607 lbs (1,636 kg)
Water Capacity (Spa Volume)	440 US gallons (1,666 Liters)
Water Capacity (Average Fill)	330 US gallons (1,249 Liters)
Electronic Controls	ProTouch™ 2 LCD control panel, user interface displays temperature, time, cycles and fingertip jet control. Offers customizing of pre-programmed filtration cycles, heating modes and water temperature setting.
Pump 1	North America (60 Hz): 1-Speed, 5.1 HP brake, 2.5 HP continuous, 56 Frame
Export (50 Hz):	1-Speed, 2.0 HP continuous
Pump 2	North America (60 Hz): 1-Speed, 5.1 HP brake, 2.5 HP continuous, 56 Frame
Export (50 Hz):	1-Speed, 2.0 HP continuous
Circulation Pump	Yes, 8-hour
Total PowerPro® Jets	41 (plus 2 IR Light Therapy)
Seat A Jets	2 PowerPro® NX2, 2 PowerPro® RX, 2 PowerPro® FX Large Rotational, 2 PowerPro® FX
Seat B Jets	2 PowerPro® FX Large Rotational, 2 PowerPro® MX, 2 PowerPro® FX
Seat C Jets	4 PowerPro® RX
Seat D Jets	2 PowerPro® NX2, 9 PowerPro® FX, 2 IR Light Therapy
Seat E Jets	3 PowerPro® FX
Seat F Jets	2 PowerPro® NX2, 2 PowerPro® RX, 1 PowerPro® FX Large Rotational, 2 PowerPro® FX
Seat G Jets	2 PowerPro® NX2
Massage Selector	1
Air Controls	4, On/Off rocker switch air controller
Water Management System	One ProClarity® 40 ft ³ filter cartridge and 1 ProClarity® depth load filter on 8-hour circulation pump; one ProCatch® bag with ProClear® 60 ft ³ filter; Floating Weir; Factory installed CLEARRAY Active Oxygen™ Clean Water System
Export (50 Hz):	Factory installed CLEARRAY Active Oxygen™ Clean Water System
LED Lighting	Two underwater light with 4 color modes, waterfall lights, exterior corner lights
Cabinet	Modern Hardwood, Brushed Gray, Smoked Ebony
Acrylic Colors	Platinum, Porcelain
Headrests	4
Waterfalls	One; Independent flow rate (on or off) adjustment powered by pump 1
Heater:	North America (60 Hz): 5.5 kW, High Flow
Export (50 Hz):	High Flow, 2.7 kW
Electrical Requirements:	North America (60 Hz): 240 VAC@40A, 50A, or 60A Export (50 Hz): 220-240 VAC@1x32A, 1x20A/1x16A, or 3x16A, or suitably rated circuit breaker to comply with local electrical codes. Certain countries may require dual power inputs; two GFCI RCD breakers are required for this configuration.
Warranty*	North America (60 Hz): 10 Years Shell, 7 Years Shell Surface, 5 Years for Plumbing Component Leaks, 5 Years Equipment and Controls, 5 Years Cabinet, 2 Years Jets, 2 Years Lights; Export (50 Hz): 10 Years Shell, 7 Years Shell Surface, 5 Years Plumbing Component Leaks, 5 Years Equipment and Controls, 5 Years Cabinet, 2 Years Jets, 2 Years Lights
Audio System (Optional)	N/A

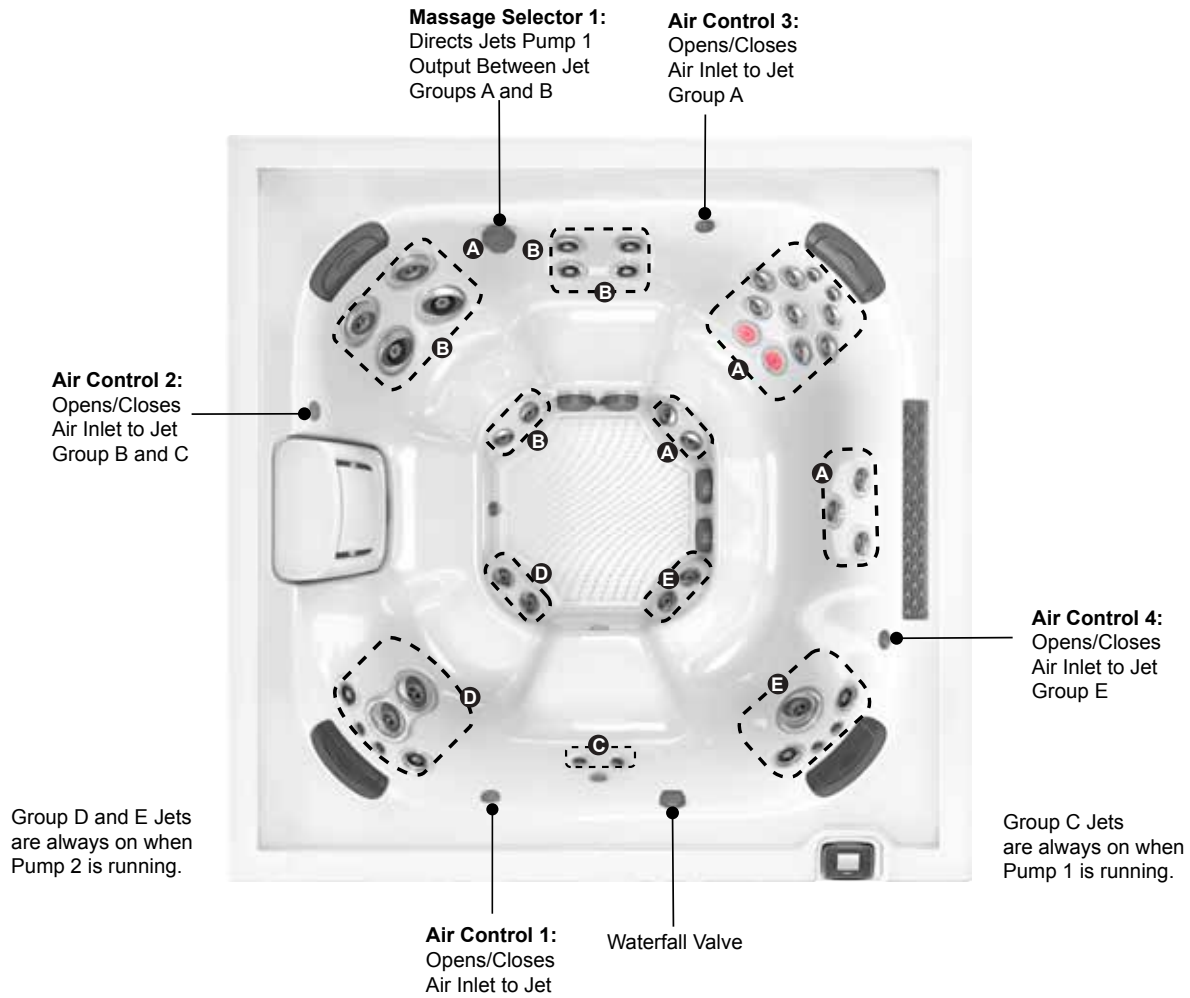


*(See Warranty Document for Specific Details)

Dimensions/Specifications are Subject to Change Without Notice

Jacuzzi J-LX

Operation/Seat Depths



41 Total Jets (plus 2 IR Light Therapy)



Spa Operation Subject to Change without Notice

Seat Depths

A = 24.25" (61.60 cm)
B = 21.13" (53.66 cm)
C = 26.13" (66.36 cm)
D = 20.50" (52.07 cm)
E = 26.81" (68.10 cm)

F = 25.00" (63.50 cm)
G = 26.31" (66.83 cm)
H = 18.00" (45.72 cm)
I = 31.00" (78.74 cm)

Listed dimensions represent distance from top of the deck to lowest point in seat.
 Tolerance $\pm 0.5"$ (1.27 cm).

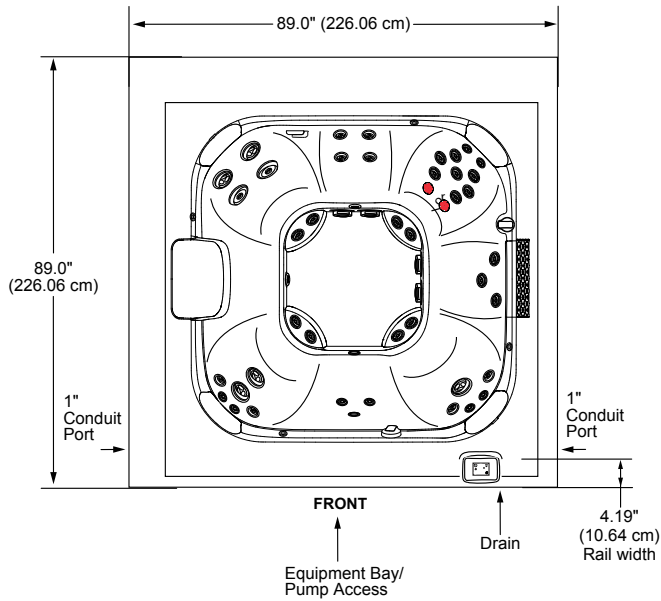


Dimensions/Specifications are Subject to Change Without Notice

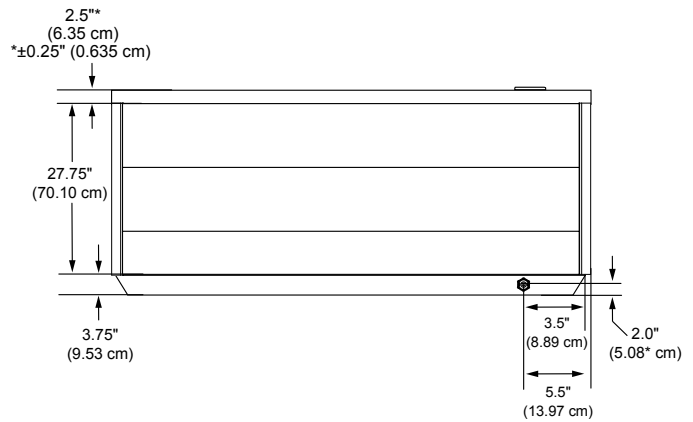
Jacuzzi J-LX

Dimensions

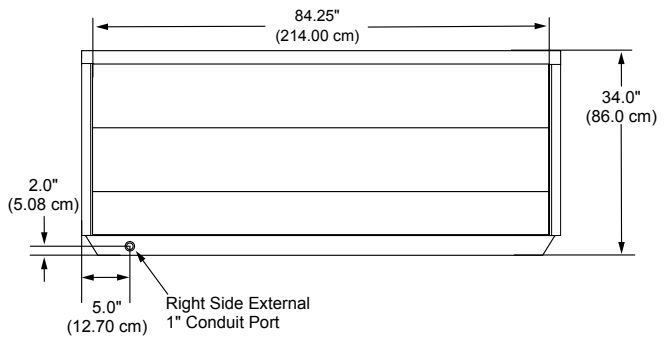
TOP VIEW



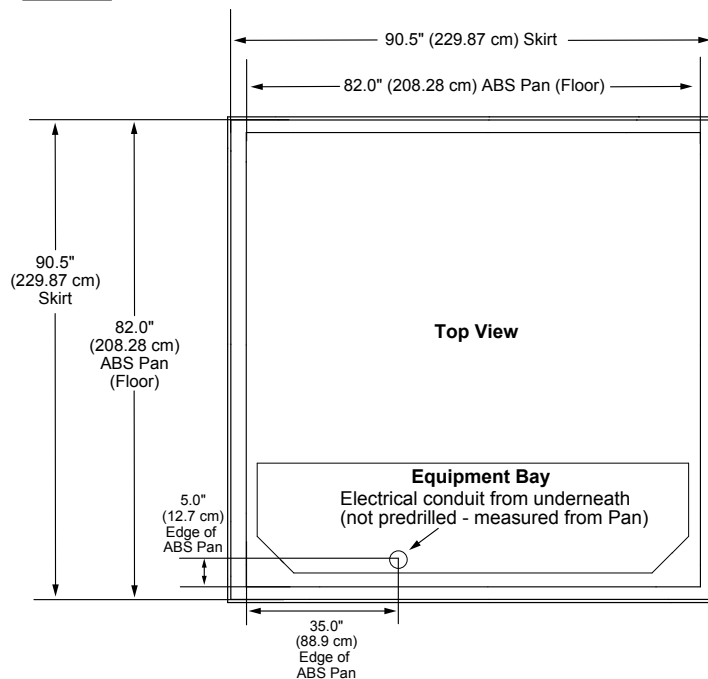
FRONT/BACK SIDE VIEW



RIGHT SIDE VIEW



IMPORTANT! Always measure each hot tub for exact dimensions BEFORE designing its foundational support and/or decking.



Dimensions/specifications subject to change without notice. Tolerance ±0.5" (1.27 cm)

Jacuzzi J-385

Specifications

Seating Capacity.....	6-7
Dimensions	91" x 91" x 37.50" (231 cm x 231 cm x 95.25 cm); For complete dimensions, see page 81
Perimeter	364 in. (924.6 cm)
Dry Weight.....	850 lbs (386 kg)
Filled Weight (Spa Volume)	5,771 lbs (2,618 kg)
Filled Weight (Average Fill).....	4,686 lbs (2,126 kg)
Water Capacity (Spa Volume)	590 US gallons (2,233 Liters)
Water Capacity (Average Fill).....	460 US gallons (1,741 Liters)
Electronic Controls	Solid state electronic controls with LCD readout, programmable temperature, filtration, and heat cycles
Pump 1.....	North America (60 Hz): 1-Speed, 4.8 HP brake, 2.5 HP continuous, 56 Frame Export (50 Hz):1-Speed, 2.0 HP continuous
Pump 2.....	North America (60 Hz): 1-Speed, 4.8 HP brake, 2.5 HP continuous, 56 Frame Export (50 Hz):1-Speed, 2.0 HP continuous
Circulation Pump.....	Yes, 8-hour
Heater	North America (60 Hz): 5.5kW High Flow Export (50 Hz)2.7kW High Flow
Total PowerPro® Jets.....	51
Seat A Jets	4 PowerPro® FX, 2 PowerPro® FX Large Rotational
Seat B Jets	1 PowerPro® FX Rotational, 2 PowerPro® FX Large
Seat C Jets	2 PowerPro® NX2, 2 PowerPro® FX Rotational, 4 PowerPro® FX, 2 PowerPro® FX Large
Seat D Jets	2 PowerPro® FX Large Rotational
Seat E Jets	10 PowerPro® FX, 2 PowerPro® FX Rotational, 2 PowerPro® BX
Seat E HYDROSOOTHE™ Jets.....	2 PowerPro® FX Directional with independent flow rate valve
Seat F Jets	2 PowerPro® NX2, 3 PowerPro® MX
Footwell (G).....	8 PowerPro® FX Small, 1 PowerPro® FX
Massage Selectors	2
Air Controls.....	4, On/Off rocker switch air controller
Water Management System.....	Two 60 ft² Filter cartridges; filter 1 on 8-hour circulation pump; filter 2 on jets pump 1; Factory installed CLEARRAY Active Oxygen™ Clean Water System Export (50 Hz):Factory installed CLEARRAY Active Oxygen™ Clean Water System
LED Lighting	One underwater prolite with 4 color modes, one colored waterfall light, cup holders, 2 HYDROSOOTHE pillow lights, and OPTIONAL exterior lights
ProFinish™ Cabinet Colors.....	Modern Hardwood, Brushed Gray, and Smoked Ebony
Acrylic Colors	Platinum, Silver Pearl, Desert, Monaco, Midnight, Porcelain
Headrests	4
Waterfalls	One independent flow rate (on or off) adjustment; powered by the circulation pump
Heater:.....	North America (60 Hz): 5.5 kW, High Flow Export (50 Hz):High Flow, 2.7 kW
Electrical Requirements:	North America (60 Hz): 240 VAC@40A, 50A, or 60A Export (50 Hz): 220-240 VAC@1x32A, 1x20A/1x16A, 3x16A or suitably rated circuit breaker to comply with local electrical codes. Certain countries may require dual power inputs; two GFCI RCD breakers are required for this configuration.
Warranty*.....	North America (60 Hz): 10 Years Shell, 7 Years Shell Surface, 5 Years for Plumbing Component Leaks, 5 Years Equipment and Controls, 5 Years Cabinet, 2 Years Jets, 2 Years Lights, 1 Year Stereo; Export (50 Hz): 10 Years Shell, 7 Years Shell Surface, 5 Years Plumbing Component Leaks, 5 Years Equipment and Controls, 5 Years Cabinet, 2 Years Jets, 2 Years Lights, 2 Years Stereo
Special Features (Optional).....	SmartTub® Module, Exterior Lights
Audio System (Optional).....	BLUEWAVE® Spa Stereo System (Bluetooth/Aux compatible) with four speakers and a subwoofer

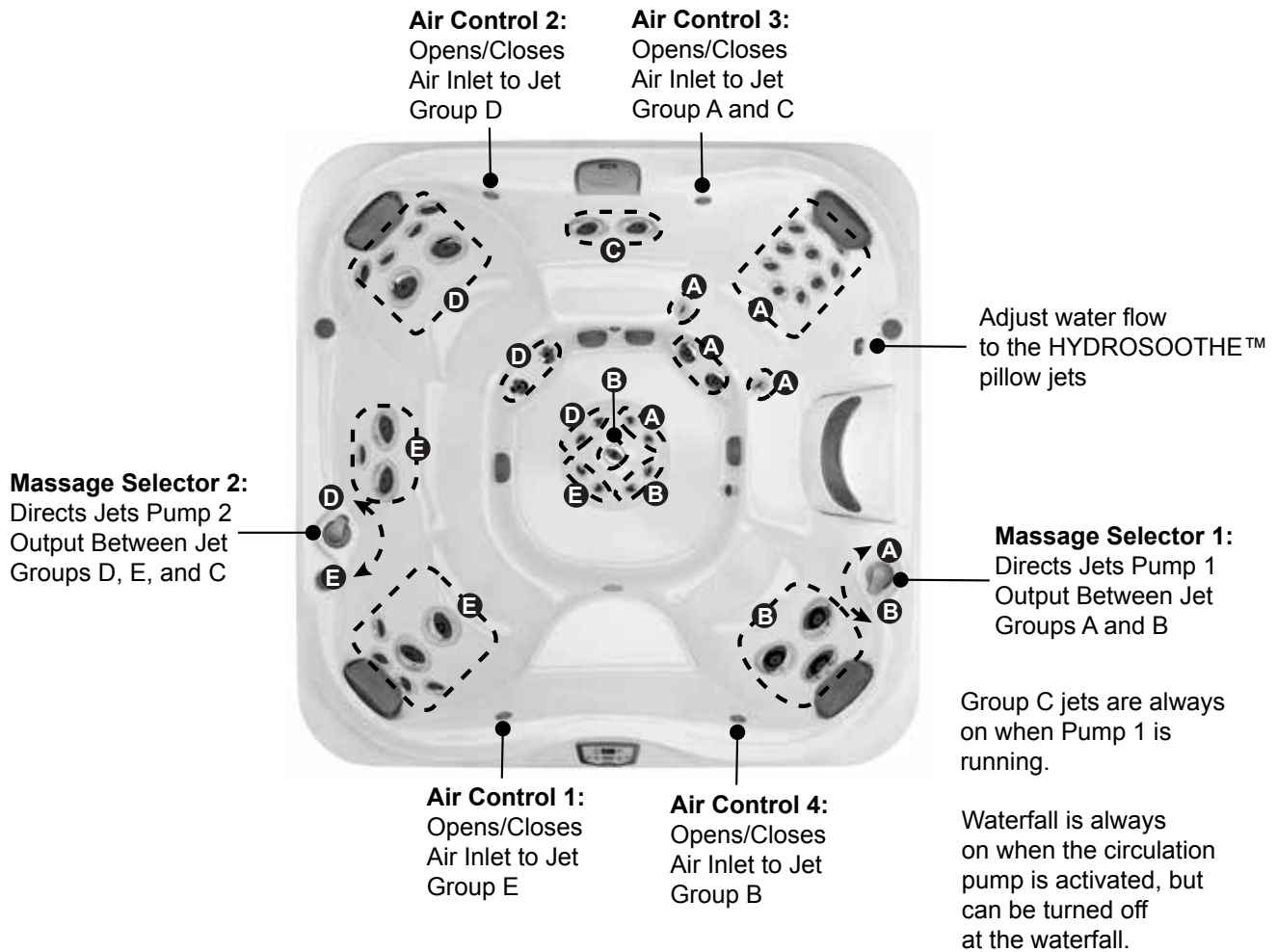


*(See Warranty Document for Specific Details)

Dimensions/Specifications are Subject to Change Without Notice

Jacuzzi J-385

Operation/Seat Depths



51 Total Jets

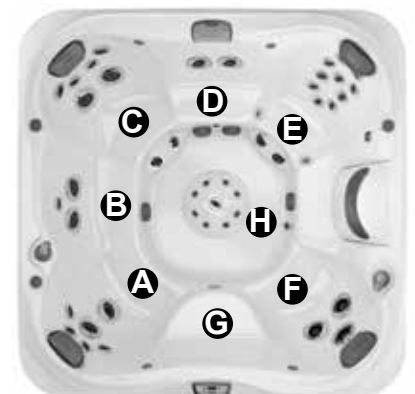


Seat Depths

A = 26.50" (67.31 cm)
B = 25.00" (63.50 cm)
C = 26.75" (67.95 cm)
D = 23.25" (59.06 cm)
E = 28.25" (71.76 cm)

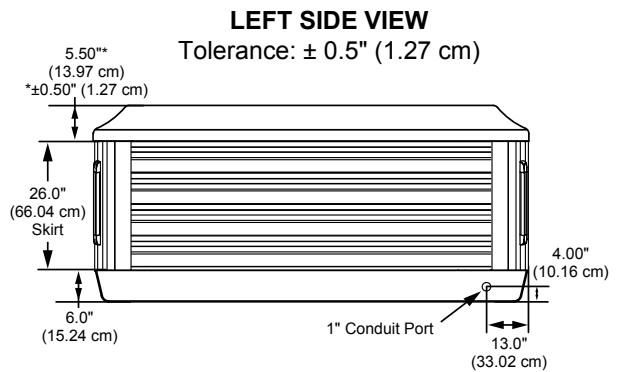
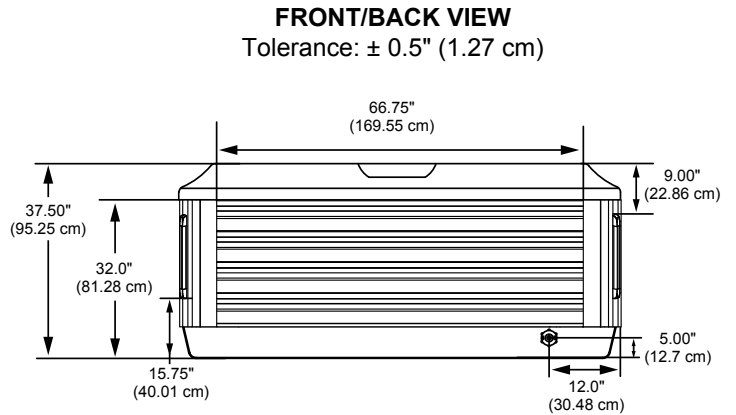
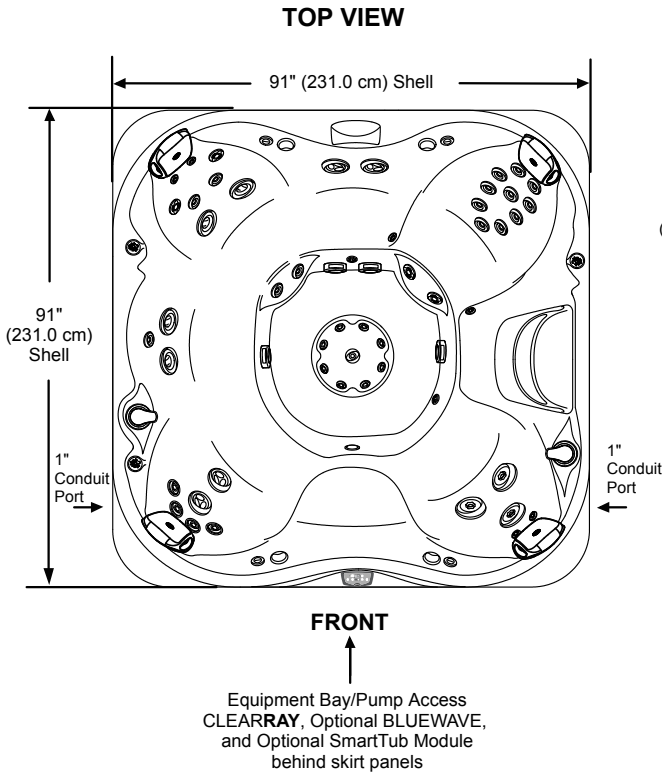
F = 27.13" (68.90 cm)
G = 17.00" (43.18 cm)
H = 33.25" (84.46 cm)

Listed dimensions represent distance from top of acrylic to lowest point in seat. Tolerance $\pm 0.5"$ (1.27 cm).

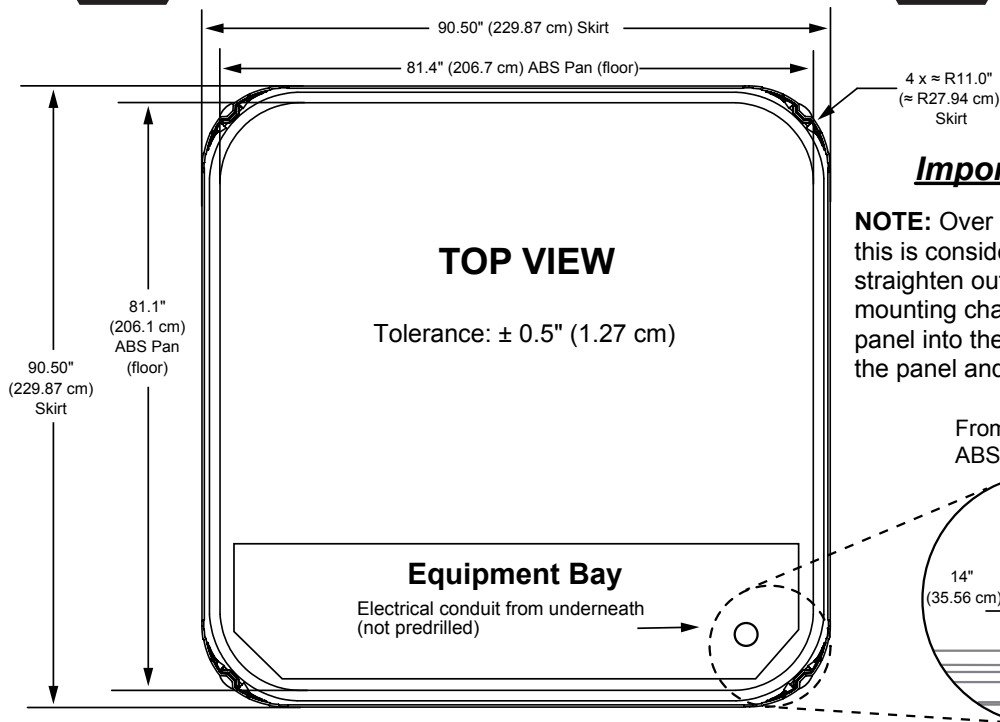


Jacuzzi J-385

Dimensions



IMPORTANT! Always measure each hot tub for exact dimensions **BEFORE** designing its foundational support and/or decking.



Important Panel Details

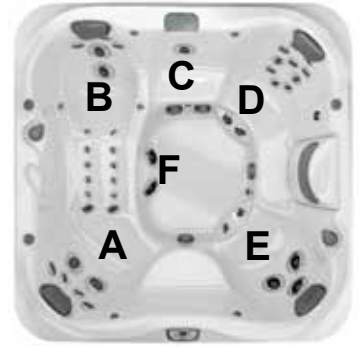
NOTE: Over time the panel(s) may bow, this is considered normal. The panels will straighten out when reinstalled into the mounting channel. Place one end of the panel into the channel first then flatten the panel and insert the other end.

Dimensions/specifications subject to change without notice. Tolerance $\pm 0.5"$ (1.27 cm)

Jacuzzi J-375

Specifications

Seating Capacity	5-6 Adults
Dimensions	91" x 91" x 37.50" (231 cm x 231 cm x 95.25 cm); For complete dimensions, see page 81
Perimeter	364 in. (924.6 cm)
Dry Weight	830 lbs (376 kg)
Filled Weight (Spa Volume)	5,667 lbs (2,571 kg)
Filled Weight (Average Fill)	4,541 lbs (2,060 kg)
Water Capacity (Spa Volume)	580 US gallons (2,196 Liters)
Water Capacity (Average Fill)	445 US gallons (1,685 Liters)
Electronic Controls	Solid state electronic controls with LCD readout, programmable temperature, filtration, and heat cycles
Pump 1	North America (60 Hz): 1-Speed, 4.8 HP brake, 2.5 HP continuous, 56 Frame Export (50 Hz): 1-Speed, 2.0 HP continuous
Pump 2	North America (60 Hz): 1-Speed, 4.8 HP brake, 2.5 HP continuous, 56 Frame Export (50 Hz): 1-Speed, 2.0 HP continuous
Circulation Pump	Yes, 8-hour
Heater	North America (60 Hz): 5.5kW High Flow Export (50 Hz) 2.7kW High Flow
Total PowerPro® Jets	52
Seat A Jets	2 PowerPro® NX2, 2 PowerPro® FX Large, 2 PowerPro® FX Rotational, 2 PowerPro® FX
Seat B Jets	4 PowerPro® FX, 2 PowerPro® FX Large Rotational, 12 PowerPro® BX, 2 PowerPro® FX Rotational
Seat C Jets	1 PowerPro® FX Large Rotational
Seat D Jets	10 PowerPro® FX, 2 PowerPro® FX Rotational
Seat D HYDROSOOTHE™ Jets	2 PowerPro® FX Directional with independent flow rate valve
Seat E Jets	2 PowerPro® NX2, 3 PowerPro® MX, 2 PowerPro® FX
Footwell (F)	2 PowerPro® MX
Massage Selectors	2
Air Controls	4, On/Off rocker switch air controller
Water Management System	Two 60 ft ² Filter cartridges; filter 1 on 8-hour circulation pump; filter 2 on jets pump 1; Factory installed CLEARARRAY Active Oxygen™ Clean Water System Export (50 Hz): Factory installed CLEARARRAY Active Oxygen™ Clean Water System
LED Lighting	One underwater prolite with 4 color modes, one colored waterfall light, cup holders, 2 HYDROSOOTHE pillow lights, and OPTIONAL exterior lights
ProFinish™ Cabinet Colors	Modern Hardwood, Brushed Gray, and Smoked Ebony
Acrylic Colors	Platinum, Silver Pearl, Monaco, Midnight, Porcelain
Headrests	4
Waterfalls	One independent flow rate (on or off) adjustment; powered by the circulation pump
Heater:	North America (60 Hz): 5.5 kW, High Flow Export (50 Hz): High Flow, 2.7 kW
Electrical Requirements:	North America (60 Hz): 240 VAC@40A, 50A, or 60A Export (50 Hz): 220-240 VAC@1x32A, 1x20A/1x16A, 3x16A, or suitably rated circuit breaker to comply with local electrical codes. Certain countries may require dual power inputs; two GFCI RCD breakers are required for this configuration.
Warranty*	North America (60 Hz): 10 Years Shell, 7 Years Shell Surface, 5 Years for Plumbing Component Leaks, 5 Years Equipment and Controls, 5 Years Cabinet, 2 Years Jets, 2 Years Lights, 1 Year Stereo; Export (50 Hz): 10 Years Shell, 7 Years Shell Surface, 5 Years Plumbing Component Leaks, 5 Years Equipment and Controls, 5 Years Cabinet, 2 Years Jets, 2 Years Lights, 2 Years Stereo
Special Features (Optional)	SmartTub® Module, Exterior Lights
Audio System (Optional)	BLUEWAVE® Spa Stereo System (Bluetooth/Aux compatible) with four speakers and subwoofer

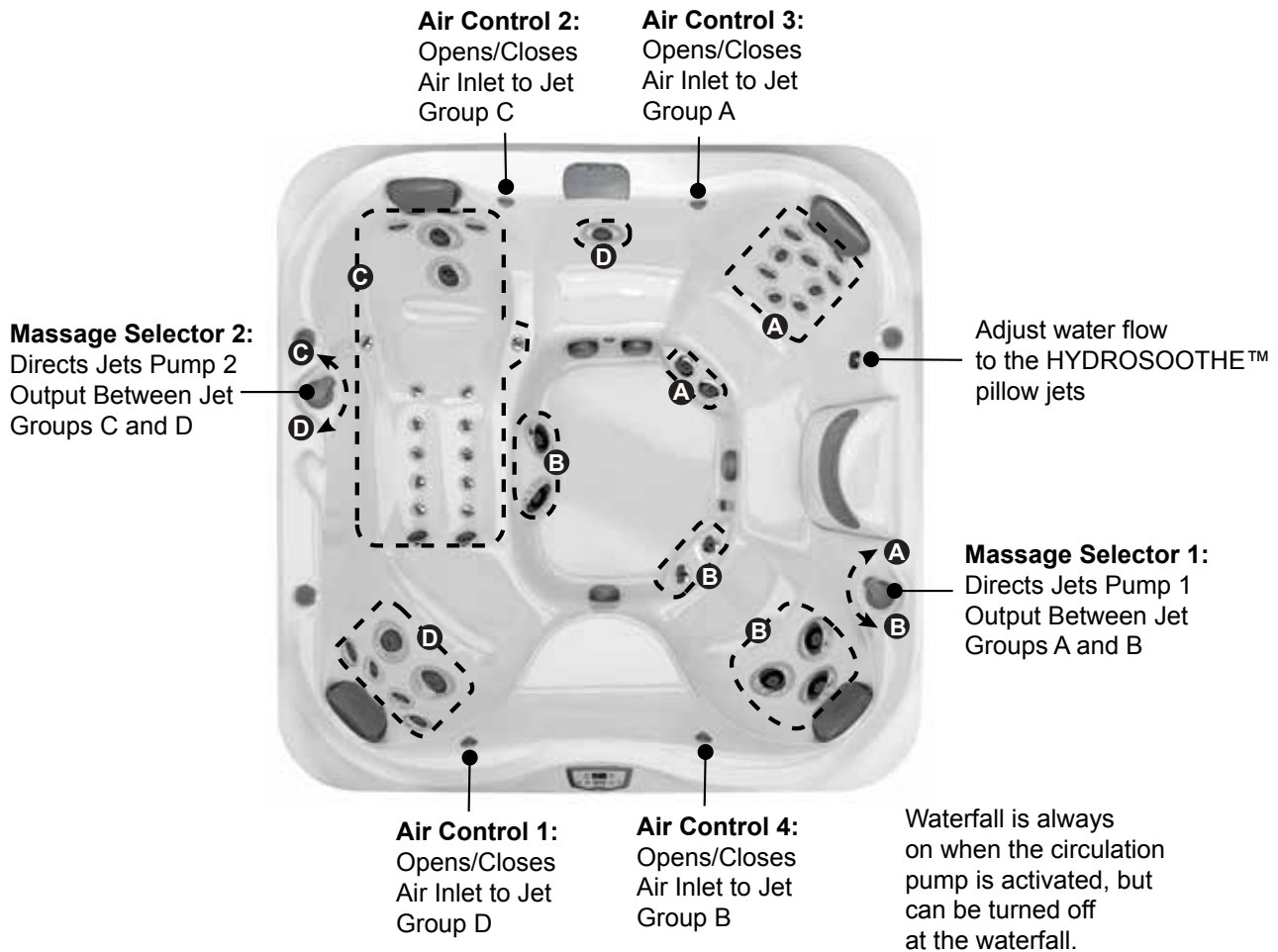


*(See Warranty Document for Specific Details)

Dimensions/Specifications are Subject to Change Without Notice

Jacuzzi J-375

Operation/Seat Depths



52 Total Jets



Spa Operation Subject to Change without Notice

Seat Depths

A = 26.50" (67.31 cm)
B = 27.50" (69.85 cm)
C = 23.50" (59.69 cm)
D = 28.25" (71.76 cm)
E = 27.25" (69.22 cm)

F = 17.00" (43.18 cm)
G = 34.00" (86.36 cm)

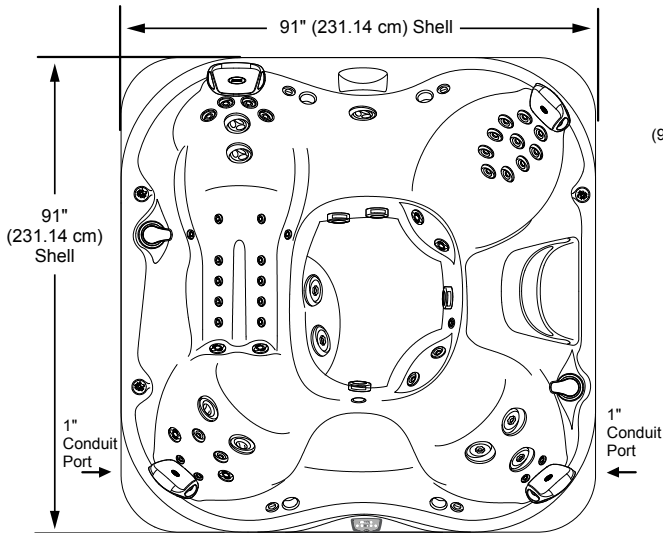
Listed dimensions represent distance from top of acrylic to lowest point in seat. Tolerance $\pm 0.5"$ (1.27 cm).



Jacuzzi J-375

Dimensions

TOP VIEW

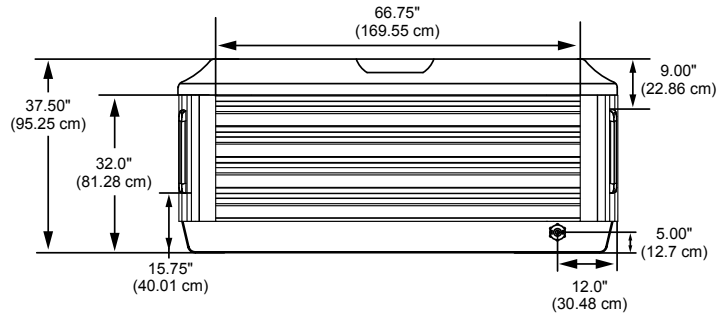


FRONT

Equipment Bay/Pump Access
CLEARARRAY, Optional BLUEWAVE,
and Optional SmartTub Module
behind skirt panels

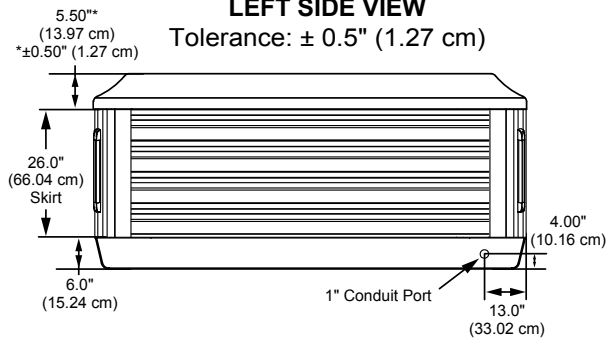
FRONT/BACK VIEW

Tolerance: $\pm 0.5"$ (1.27 cm)

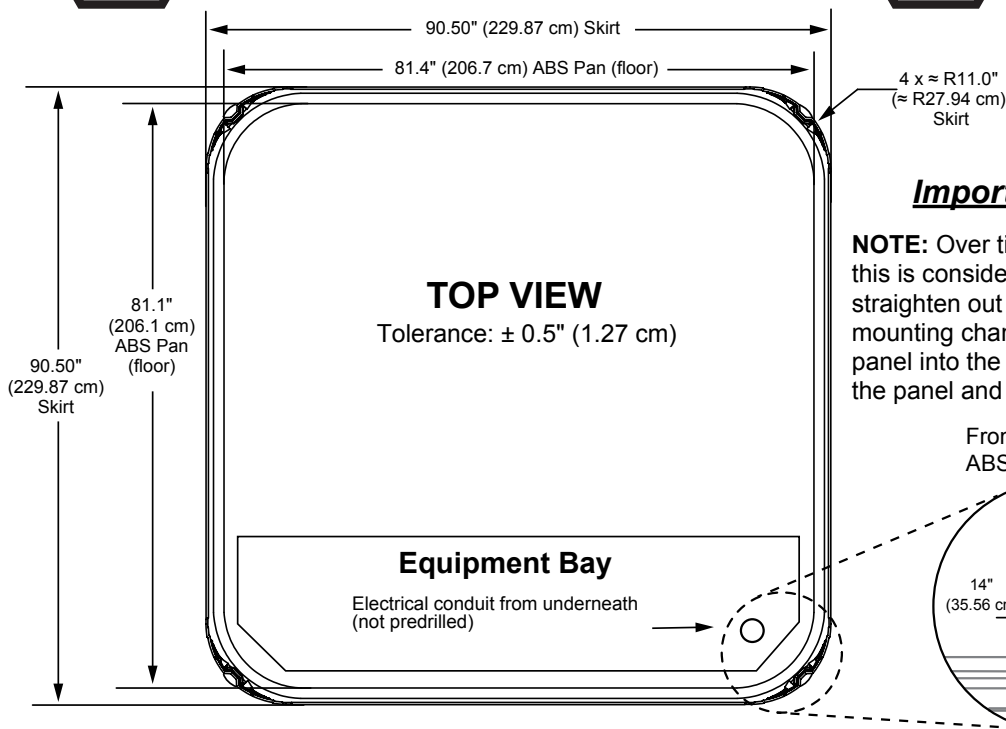


LEFT SIDE VIEW

Tolerance: $\pm 0.5"$ (1.27 cm)



IMPORTANT! Always measure each hot tub for exact dimensions BEFORE designing its foundational support and/or decking.



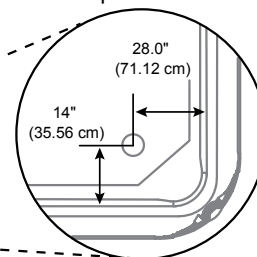
TOP VIEW

Tolerance: $\pm 0.5"$ (1.27 cm)

Important Panel Details

NOTE: Over time the panel(s) may bow, this is considered normal. The panels will straighten out when reinstalled into the mounting channel. Place one end of the panel into the channel first then flatten the panel and insert the other end.

From the edge of the
ABS pan



Dimensions/specifications subject to change without notice. Tolerance $\pm 0.5"$ (1.27 cm)

Jacuzzi J-365

Specifications

Seating Capacity.....	6-7 Adults
Dimensions	84" x 91" x 37.50" (213.5 cm x 231 cm x 95.25 cm); For Complete Dimensions, See page 81
Perimeter	350 in. (889 cm)
Dry Weight.....	805 lbs (365 kg)
Filled Weight (Spa Volume)	4,975 lbs (2,257 kg)
Filled Weight (Average Fill).....	4,099 lbs (1,859 kg)
Water Capacity (Spa Volume).....	500 US gallons (1,893 Liters)
Water Capacity (Average Fill).....	395 US gallons (1,495 Liters)
Electronic Controls	Solid state electronic controls with LCD readout, programmable temperature, filtration, and heat cycles
Pump 1.....	North America (60 Hz): 1-Speed, 4.8 HP brake, 2.5 HP continuous, 56 Frame
Export (50 Hz):	1-Speed, 2.0 HP continuous
Pump 2.....	North America (60 Hz): 1-Speed, 4.8 HP brake, 2.5 HP continuous, 56 Frame
Export (50 Hz):	1-Speed, 2.0 HP continuous
Circulation Pump.....	Yes, 8-Hour
Heater	North America (60 Hz): 5.5kW High Flow
Export (50 Hz)	2.7kW High Flow
Total PowerPro® Jets.....	46
Seat A Jets	4 PowerPro® FX, 2 PowerPro® FX Large Rotational
Seat B Jets	1 PowerPro® FX Large
Seat C Jets	2 PowerPro® NX2, 2 PowerPro® FX, 3 PowerPro® MX
Seat D Jets	1 PowerPro® FX Large Rotational
Seat E Jets	10 PowerPro® FX, 2 PowerPro® FX Rotational
Seat E HYDROSOOTHE™ Jets.....	2 PowerPro® FX Directional with independent flow rate valve
Seat F Jets.....	2 PowerPro® NX2, 2 PowerPro® FX Rotational, 2 PowerPro® FX Large
Footwell (G).....	8 PowerPro® FX Small, 1 PowerPro® FX
Massage Selectors	2
Air Controls.....	4, On/Off rocker style
Water Management System.....	Two 60 ft ² filter cartridges; filter 1 on 8-hour circulation pump; filter 2 on jets pump 1; Factory installed CLEARRAY Active Oxygen™ Clean Water System
Export (50 Hz):	Factory installed CLEARRAY Active Oxygen™ Clean Water System
LED Lighting	One underwater light with 4 color modes, one colored waterfall light, cup holders, 2 HYDROSOOTHE pillow lights, and OPTIONAL exterior light
ProFinish™ Cabinet Colors	Modern Hardwood, Brushed Gray, and Smoked Ebony
Acrylic Colors	Platinum, Silver Pearl, Monaco, Midnight, Porcelain
Headrests	4
Waterfalls	One independent flow rate (on or off) adjustment; powered by the circulation pump
Heater:.....	North America (60 Hz): 5.5 kW, High Flow
Export (50 Hz):	High Flow, 2.7 kW
Electrical Requirements:.....	North America (60 Hz): 240 VAC@40A, 50A, or 60A Export (50 Hz): 220-240 VAC@1x32A, 1x20A/1x16A, 3x16A, or suitably rated circuit breaker to comply with local electrical codes. Certain countries may require dual power inputs; two GFCI RCD Breakers are required for this configuration.
Warranty*.....	North America (60 Hz): 10 Years Shell, 7 Years Shell Surface, 5 Years Plumbing Component Leaks, 5 Years Equipment and Controls, 5 Years Cabinet, 2 Years Jets, 2 Years Lights, 1 Year Stereo; Export (50 Hz): 10 Years Shell, 7 Years Shell Surface, 5 Years Plumbing Component Leaks, 5 Years Equipment and Controls, 5 Years Cabinet, 2 Years Jets, 2 Years Lights, 2 Years Stereo
Special Features (Optional).....	SmartTub® Module, Exterior Lights
Audio System (Optional).....	BLUEWAVE® Spa Stereo System (Bluetooth/Aux compatible) with four speakers and subwoofer

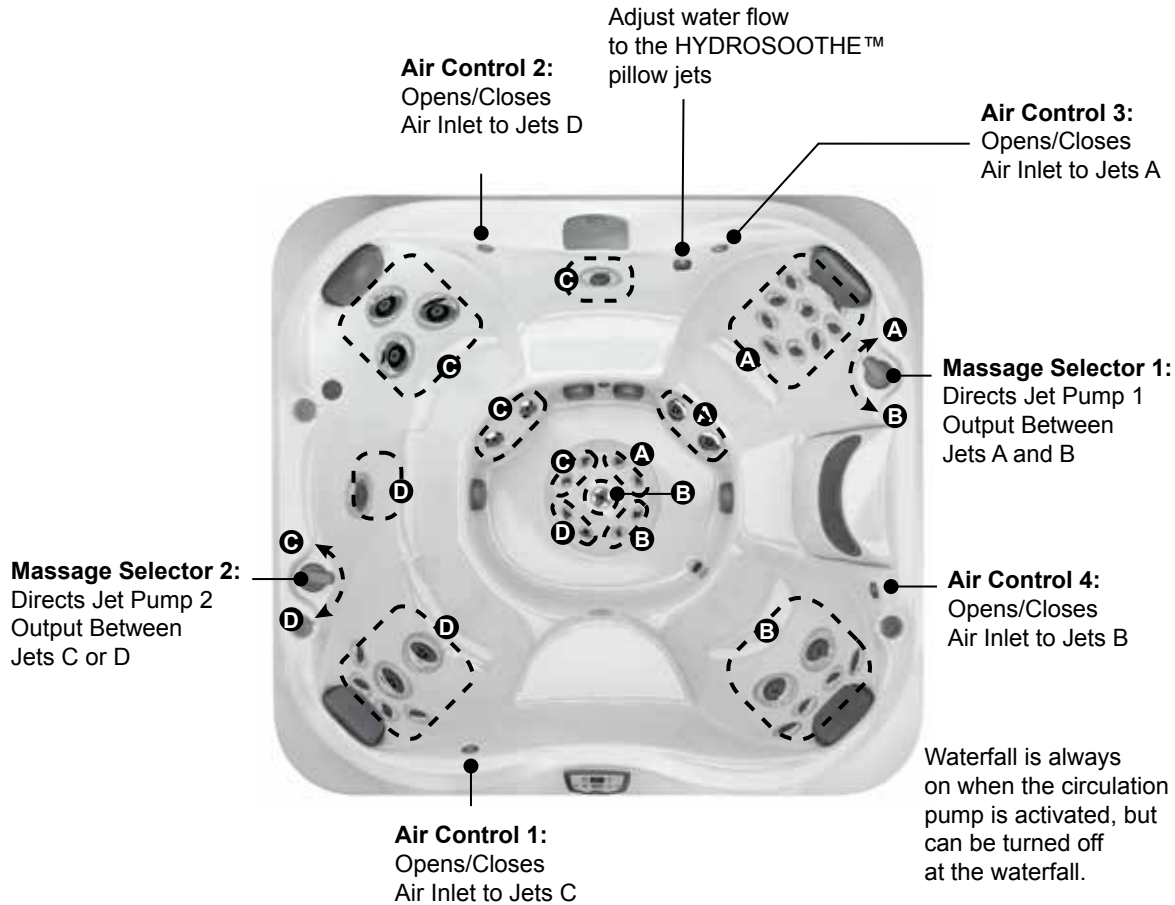


*(See Warranty Document for Specific Details)

Dimensions/Specifications are Subject to Change Without Notice

Jacuzzi J-365

Operation/Seat Depths



46 Total Jets



Seat Depths

A = 26.50" (67.47 cm)
B = 25.25" (64.14 cm)
C = 25.25" (64.14 cm)
D = 23.75" (60.33 cm)
E = 28.25" (71.76 cm)

F = 27.25" (69.22 cm)
G = 17.50" (44.45 cm)
H = 33.75" (85.73 cm)

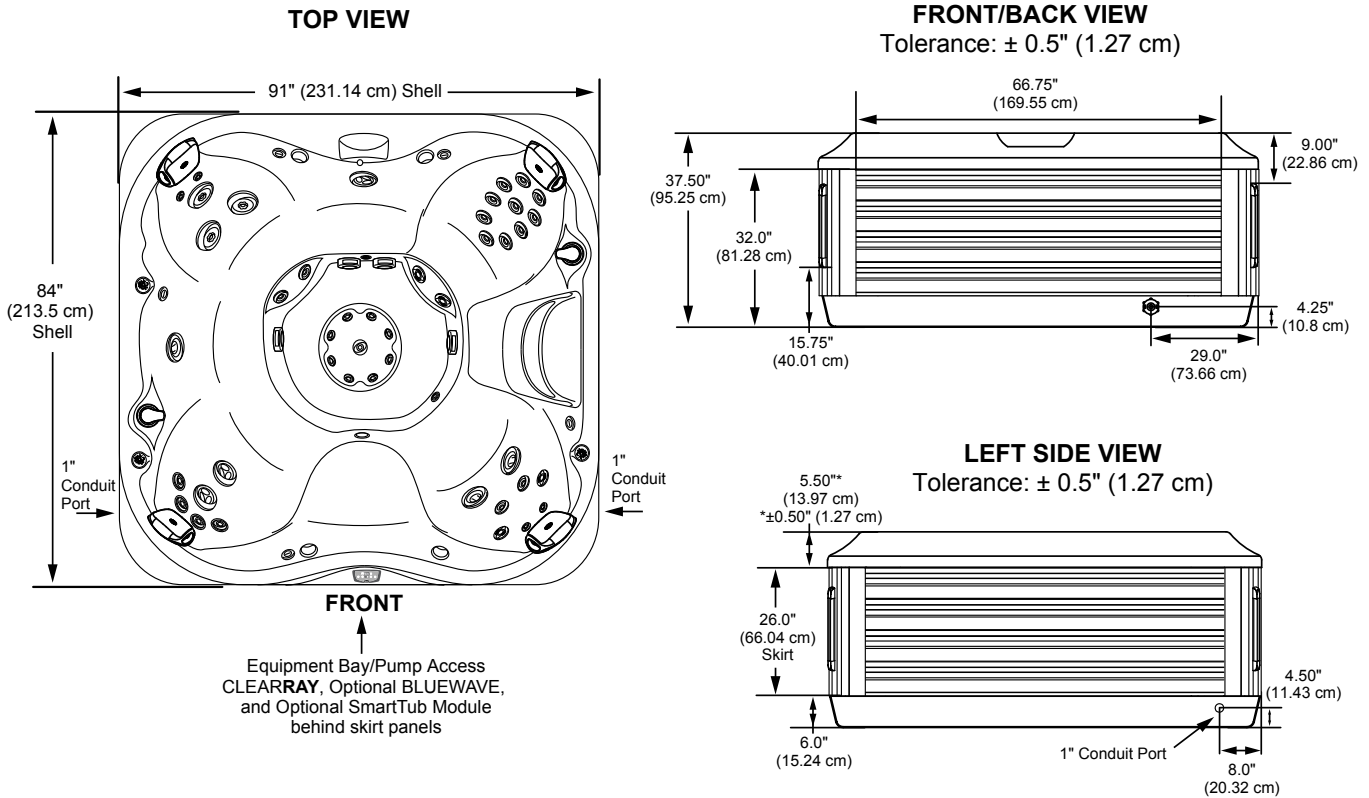
Listed dimensions represent distance from top of acrylic to lowest point in seat.
 Tolerance $\pm 0.5"$ (1.27 cm).



Dimensions/Specifications are Subject to Change Without Notice

Jacuzzi J-365

Dimensions

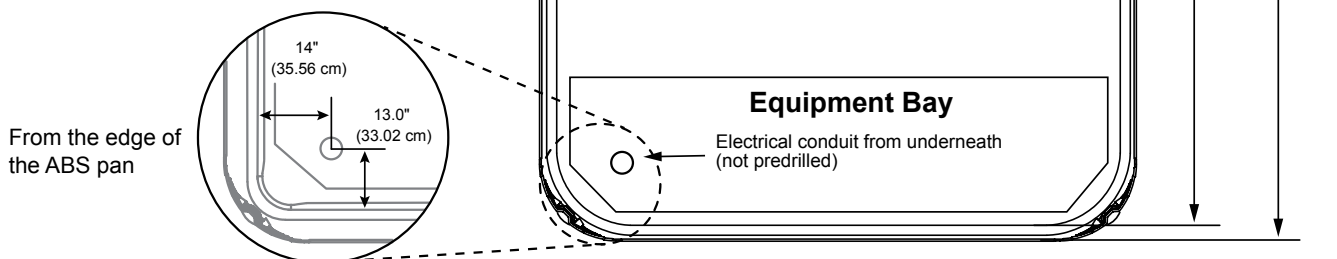


IMPORTANT! Always measure each hot tub for exact dimensions **BEFORE** designing its foundational support and/or decking.



Important Panel Details

NOTE: Over time the panel(s) may bow, this is considered normal. The panels will straighten out when reinstalled into the mounting channel. Place one end of the panel into the channel first then flatten the panel and insert the other end.

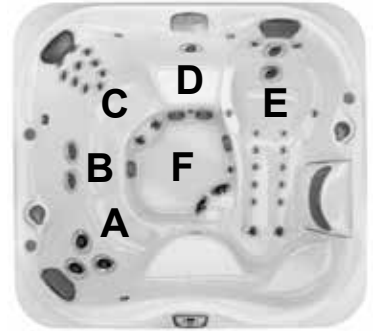


Dimensions/specifications subject to change without notice. Tolerance $\pm 0.5"$ (1.27 cm)

Jacuzzi J-355

Specifications

Seating Capacity.....	5-6 Adults
Dimensions	84" x 91" x 37.50" (213.5 cm x 231 cm x 95.25 cm); For Complete Dimensions, See page 81
Perimeter.....	350 in. (889 cm)
Dry Weight.....	813 lbs (369 kg)
Filled Weight (Spa Volume)	4,900 lbs (1,855 kg)
Filled Weight (Average Fill).....	3,815 lbs (1,731 kg)
Water Capacity (Spa Volume)	490 US gallons (1,855 Liters)
Water Capacity (Average Fill)	360 US gallons (1,363 Liters)
Electronic Controls	Solid state electronic controls with LCD readout, programmable temperature, filtration, and heat cycles
Pump 1.....	North America (60 Hz): 1-Speed, 4.8 HP brake, 2.5 HP continuous, 56 Frame Export (50 Hz): 1-Speed, 2.0 HP continuous
Pump 2.....	North America (60 Hz): 1-Speed, 4.8 HP brake, 2.5 HP continuous, 56 Frame Export (50 Hz): 1-Speed, 2.0 HP continuous
Circulation Pump.....	Yes, 8-hour
Heater	North America (60 Hz): 5.5kW High Flow Export (50 Hz) 2.7kW High Flow
Total PowerPro® Jets.....	44
Seat A Jets	2 PowerPro® NX2, 3 PowerPro® MX
Seat B Jets	2 PowerPro® FX Large
Seat C Jets	10 PowerPro® FX, 2 PowerPro® FX Rotational
Seat C HYDROSOOTHE™ Jets	2 PowerPro® FX Directional with independent flow rate valve
Seat D Jets	1 PowerPro® FX Large Rotational
Seat E Jets	4 PowerPro® FX, 2 PowerPro® FX Large Rotational, 12 PowerPro® BX, 2 PowerPro® FX Rotational
Footwell (F)	2 PowerPro® MX
Massage Selectors	2
Air Controls.....	3, On/Off rocker style
Water Management System	Two 60 ft ² filter cartridges; filter 1 on 8-hour circulation pump; filter 2 on jets pump 1; Factory installed CLEARARRAY Active Oxygen™ Clean Water System Export (50 Hz): Factory installed CLEARARRAY Active Oxygen™ Clean Water System
LED Lighting	One underwater light with 4 color modes, one colored waterfall light, cup holders, 2 HYDROSOOTHE pillow lights, and OPTIONAL exterior light
ProFinish™ Cabinet Colors	Modern Hardwood, Brushed Gray, and Smoked Ebony
Acrylic Colors	Platinum, Silver Pearl, Monaco, Midnight, Porcelain
Headrests	3
Waterfalls	One independent flow rate (on or off) adjustment; powered by the circulation pump
Heater:.....	North America (60 Hz): 5.5 kW, High Flow Export (50 Hz): High Flow, 2.7 kW
Electrical Requirements:.....	North America (60 Hz): 240 VAC@40A, 50A, or 60A Export (50 Hz): 220-240 VAC@1x32A, 1x20A/1x16A, 3x16A, or suitably rated circuit breaker to comply with local electrical codes. Certain countries may require dual power inputs; two GFCI RCD Breakers are required for this configuration.
Warranty*.....	North America (60 Hz): 10 Years Shell, 7 Years Shell Surface, 5 Years for Plumbing Component Leaks, 5 Years Equipment and Controls, 5 Years Cabinet, 2 Years Jets, 2 Years Lights, 1 Year Stereo; Export (50 Hz): 10 Years Shell, 7 Years Shell Surface, 5 Years Plumbing Component Leaks, 5 Years Equipment and Controls, 5 Years Cabinet, 2 Years Jets, 2 Years Lights, 2 Years Stereo
Special Features (Optional).....	SmartTub® Module, Exterior Lights
Audio System (Optional).....	BLUEWAVE® Spa Stereo System (Bluetooth/Aux compatible) with four speakers and subwoofer

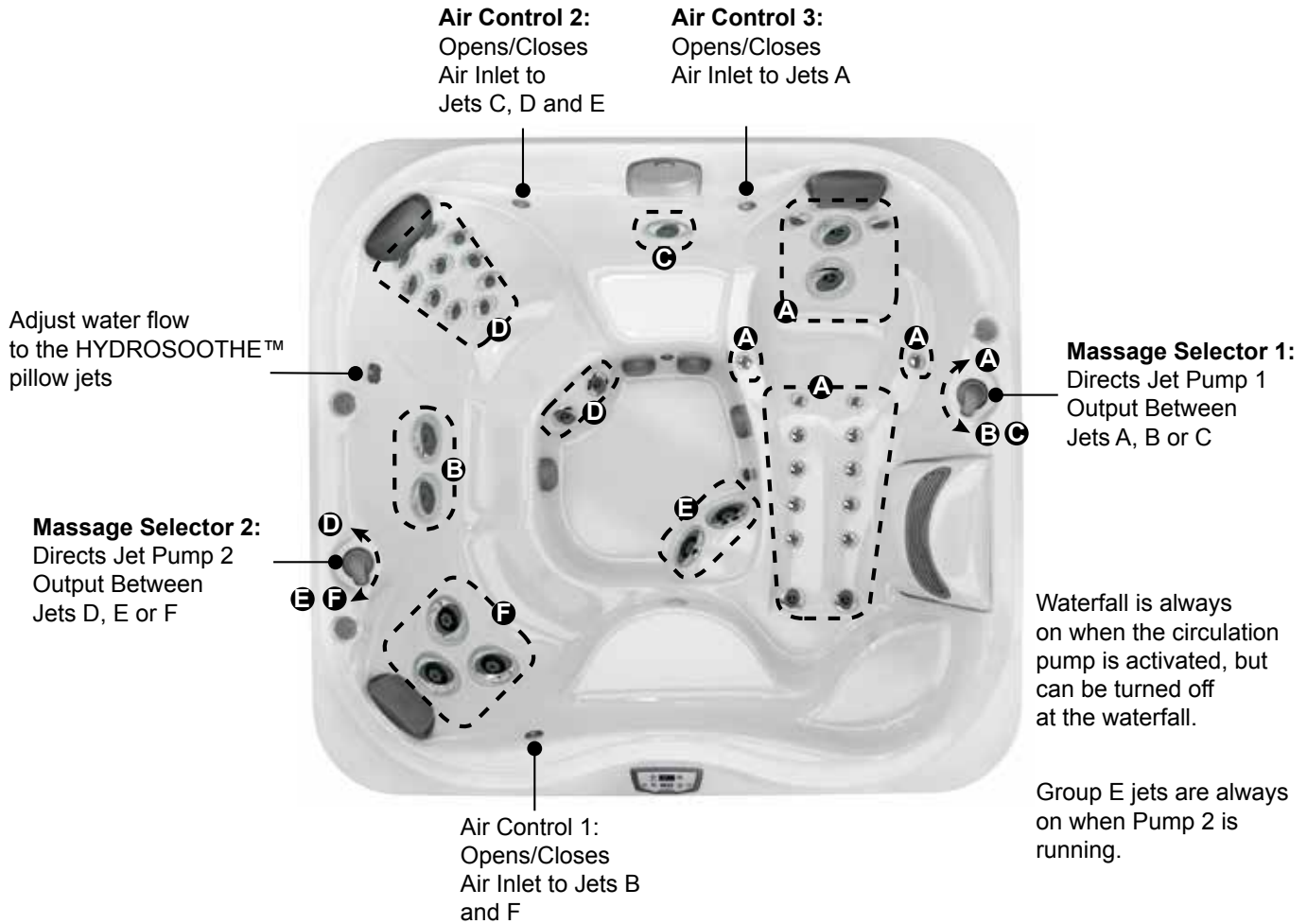


*(See Warranty Document for Specific Details)

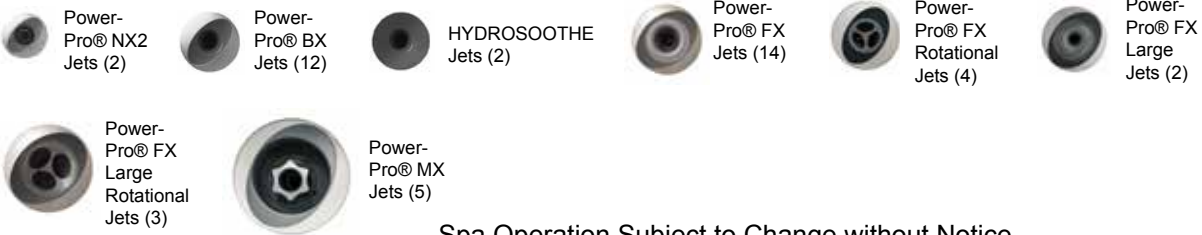
Dimensions/Specifications are Subject to Change Without Notice

Jacuzzi J-355

Operation/Seat Depths



44 Total Jets



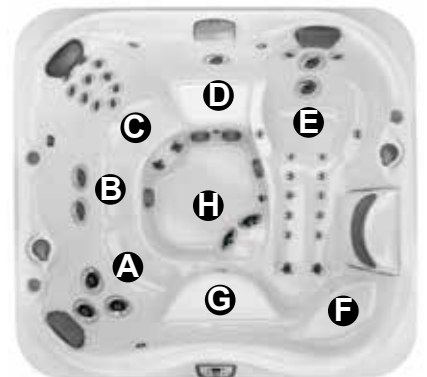
Spa Operation Subject to Change without Notice

Seat Depths

- A = 25.25" (64.14 cm)**
- B = 26.50" (67.31 cm)**
- C = 28.75" (73.02 cm)**
- D = 21.25" (53.98 cm)**
- E = 27.00" (68.58 cm)**

- F = 9.25" (23.50 cm)**
- G = 13.50" (34.29 cm)**
- H = 33.25" (84.45 cm)**

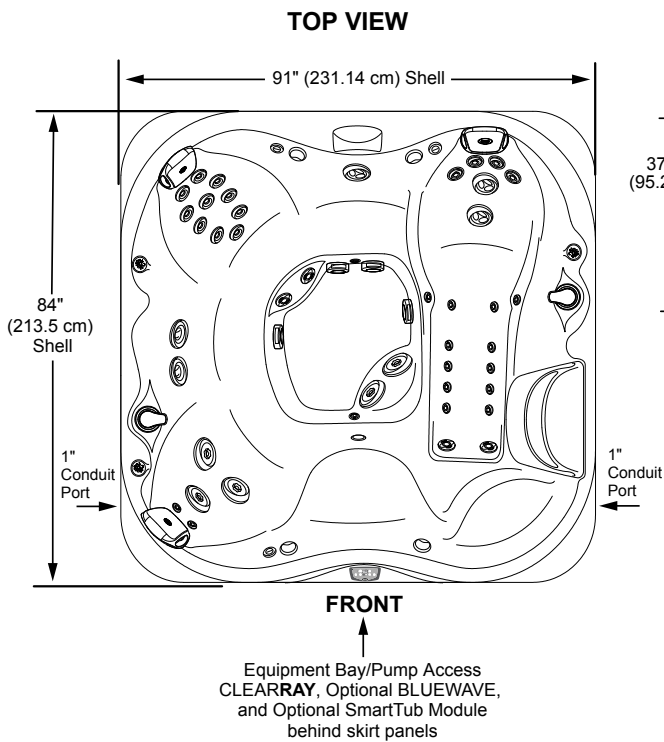
Listed dimensions represent distance from top of acrylic to lowest point in seat. Tolerance $\pm 0.5"$ (1.27 cm).



Dimensions/Specifications are Subject to Change Without Notice

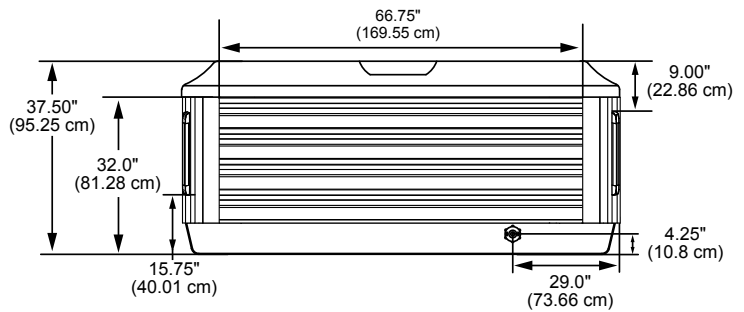
Jacuzzi J-355

Dimensions



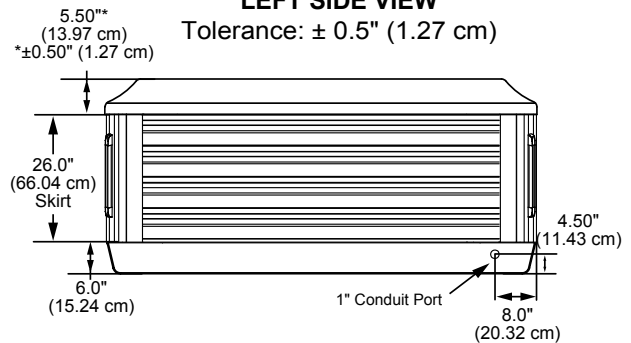
FRONT/BACK VIEW

Tolerance: $\pm 0.5"$ (1.27 cm)



LEFT SIDE VIEW

Tolerance: $\pm 0.5"$ (1.27 cm)

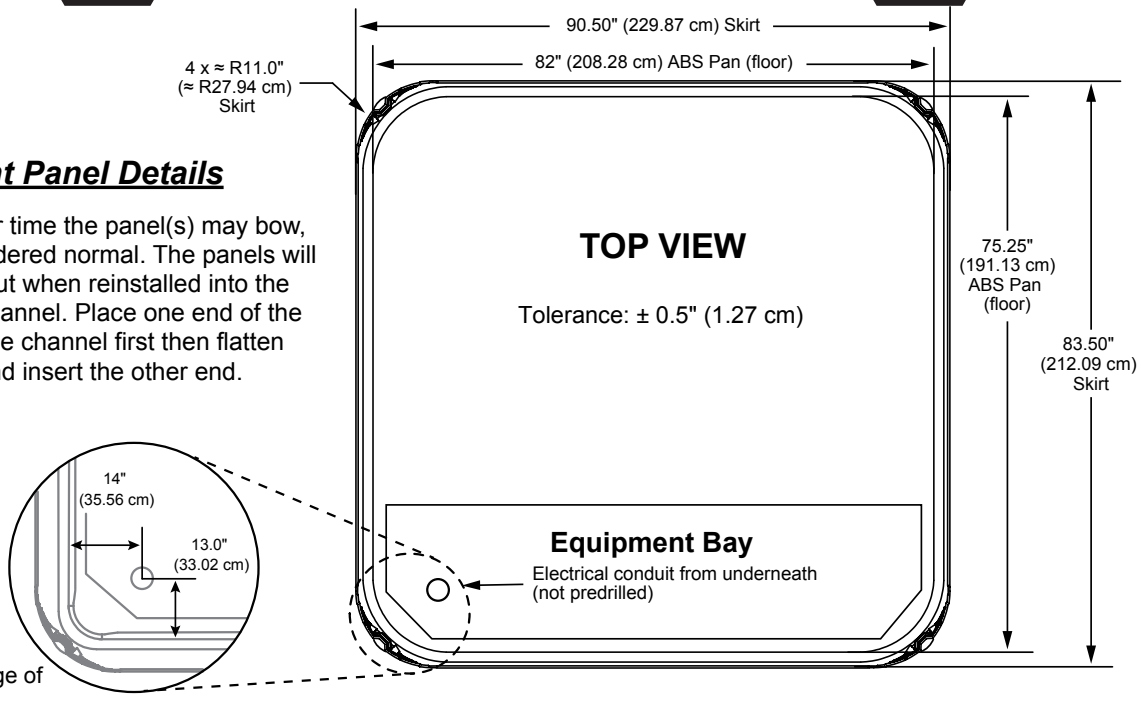


IMPORTANT! Always measure each hot tub for exact dimensions BEFORE designing its foundational support and/or decking.



Important Panel Details

NOTE: Over time the panel(s) may bow, this is considered normal. The panels will straighten out when reinstalled into the mounting channel. Place one end of the panel into the channel first then flatten the panel and insert the other end.



From the edge of the ABS pan

Dimensions/specifications subject to change without notice. Tolerance $\pm 0.5"$ (1.27 cm)

Jacuzzi J-345

Specifications

Seating Capacity.....	6-7 Adults
Dimensions	84" x 84" x 36" (213.5 cm x 213.5 cm x 91.44 cm);
	For Complete Dimensions, See page 81
Perimeter	336 in. (853.4 cm)
Dry Weight.....	777 lbs (352 kg)
Filled Weight (Spa Volume)	4,488 lbs (2,036 kg)
Filled Weight (Average Fill).....	3,654 lbs (1,306 kg)
Water Capacity (Spa Volume).....	445 US gallons (1,685 Liters)
Water Capacity (Average Fill).....	345 US gallons (1,306 Liters)
Electronic Controls	Solid state electronic controls with LCD readout, programmable temperature, filtration, and heat cycles
Pump 1	North America (60 Hz): 1-Speed, 4.8 HP brake, 2.5 HP continuous, 56 Frame
Export (50 Hz):	1-Speed, 2.0 HP continuous
Pump 2.....	North America (60 Hz): 1-Speed, 4.8 HP brake, 2.5 HP continuous, 56 Frame
Export (50 Hz):	1-Speed, 2.0 HP continuous
Circulation Pump.....	Yes, 8-hour
Heater	North America (60 Hz): 5.5kW High Flow
Export (50 Hz)	2.7kW High Flow
Total PowerPro® Jets.....	41
Seat A Jets	4 PowerPro® FX, 2 PowerPro® FX Large Rotational, 2 PowerPro® FX Small
Seat B Jets	2 PowerPro® FX
Seat C Jets	3 PowerPro® MX, 2 PowerPro® FX Rotational, 2 PowerPro® FX Small
Seat D Jets	1 PowerPro® FX Large Rotational
Seat E Jets	10 PowerPro® FX, 2 PowerPro® FX Small
Seat E HYDROSOOTHE™ Jets.....	2 PowerPro® FX Directional with independent flow rate valve
Seat F Jets.....	2 PowerPro® FX Large, 2 PowerPro® FX Rotational, 2 PowerPro® FX, 2 PowerPro® FX Small
Footwell (G).....	8 PowerPro® FX Small, 1 PowerPro® FX
Massage Selectors	2
Air Controls.....	4, On/Off rocker style
Water Management System.....	Two 60 ft ² filter cartridges; filter 1 on 8-hour circulation pump; filter 2 on jets pump 1; Factory installed CLEARARRAY Active Oxygen™ Clean Water System
Export (50 Hz):	Factory installed CLEARARRAY Active Oxygen™ Clean Water System
LED Lighting	One underwater light with 4 color modes, one colored waterfall light, cup holders, 2 HYDROSOOTHE pillow lights, and OPTIONAL exterior light
ProFinish™ Cabinet Colors.....	Modern Hardwood, Brushed Gray, and Smoked Ebony
Acrylic Colors	Platinum, Silver Pearl, Monaco, Midnight, Porcelain
Headrests	4
Waterfall	One independent flow rate (on or off) adjustment; powered by the circulation pump
Heater:.....	North America (60 Hz): 5.5 kW, High Flow
Export (50 Hz):	High Flow, 2.7 kW
Electrical Requirements:.....	North America (60 Hz): 240 VAC@40A, 50A, or 60A
	Export (50 Hz): 220-240 VAC@1x32A, 1x20A/1x16A, 3x16A, or suitably rated circuit breaker to comply with local electrical codes. Certain countries may require dual power inputs; two GFCI RCD breakers are required for this configuration.
Warranty*.....	North America (60 Hz): 10 Years Shell, 7 Years Shell Surface, 5 Years for Plumbing Component Leaks, 5 Years Equipment and Controls, 5 Years Cabinet, 2 Years Jets, 2 Years Lights, 1 Year Stereo;
	Export (50 Hz): 10 Years Shell, 7 Years Shell Surface, 5 Years Plumbing Component Leaks, 5 Years Equipment and Controls, 5 Years Cabinet, 2 Years Jets, 2 Years Lights, 2 Years Stereo
Special Features (Optional).....	SmartTub® Module, Exterior Lights
Audio System (Optional).....	BLUEWAVE® Spa Stereo System (Bluetooth/Aux compatible) with four speakers and subwoofer

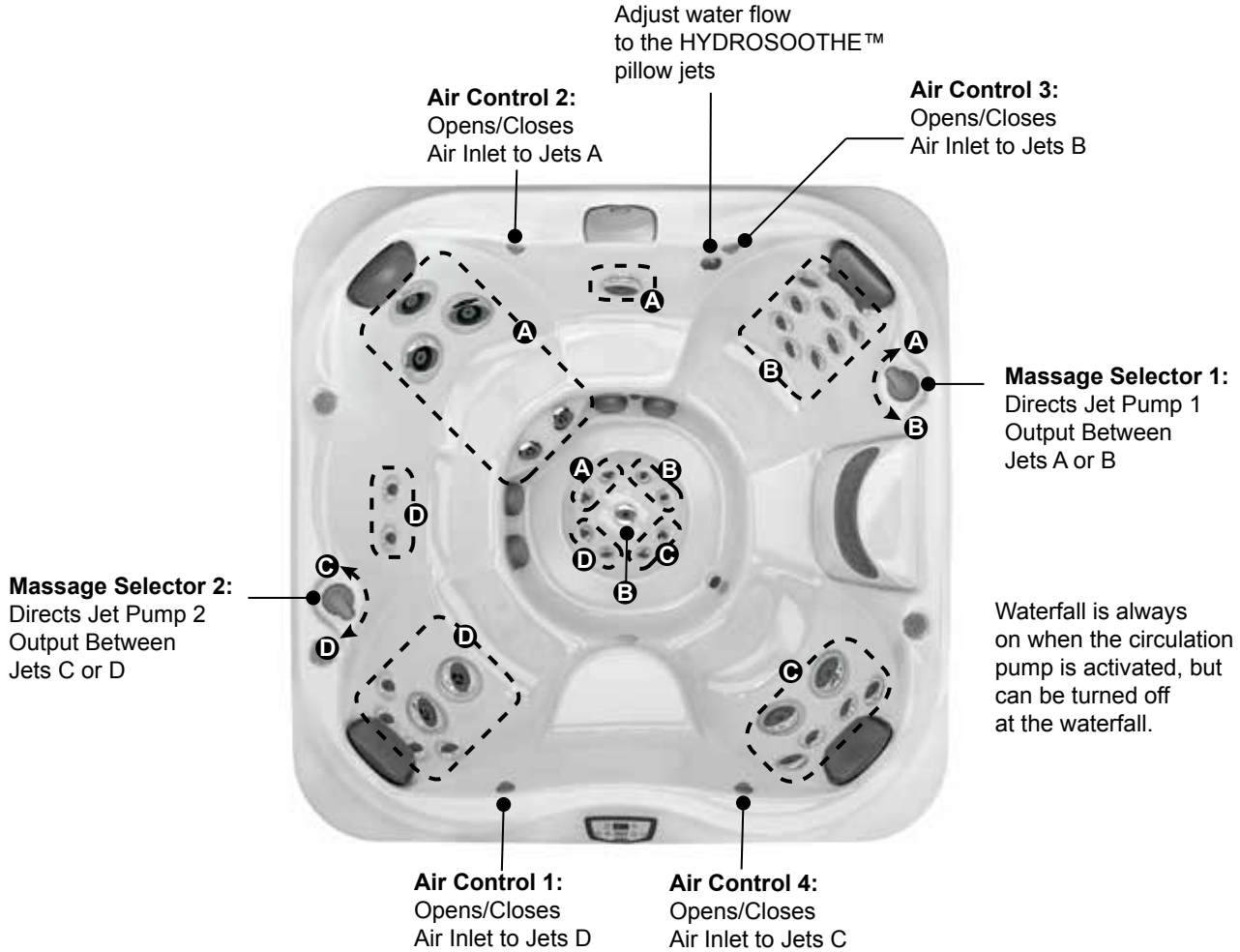


*(See Warranty Document for Specific Details)

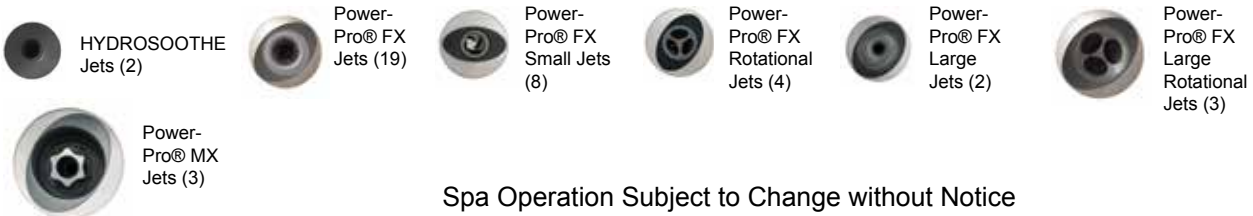
Dimensions/Specifications are Subject to Change Without Notice

Jacuzzi J-345

Operation/Seat Depths



41 Total Jets



Seat Depths

- A = 25.25" (64.1 cm)**
- B = 25.25" (64.1 cm)**
- C = 25.13" (63.8 cm)**
- D = 23.50" (59.7 cm)**
- E = 28.50" (72.4 cm)**

- F = 25.13" (63.8 cm)**
- G = 16.75" (42.5 cm)**
- H = 33.50" (85.1 cm)**

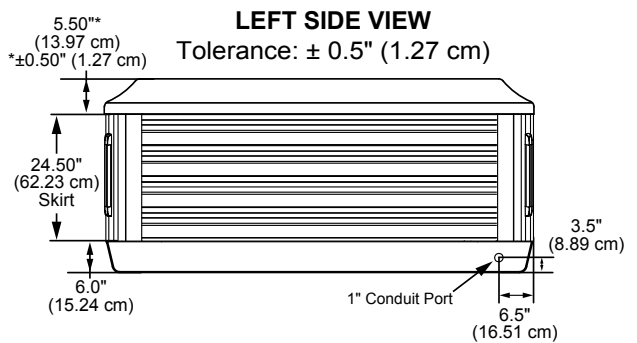
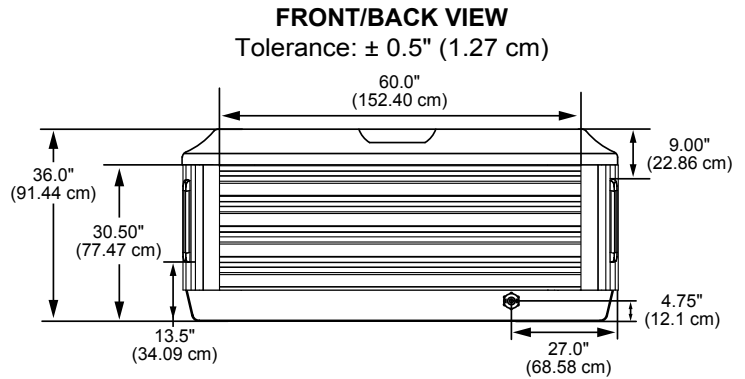
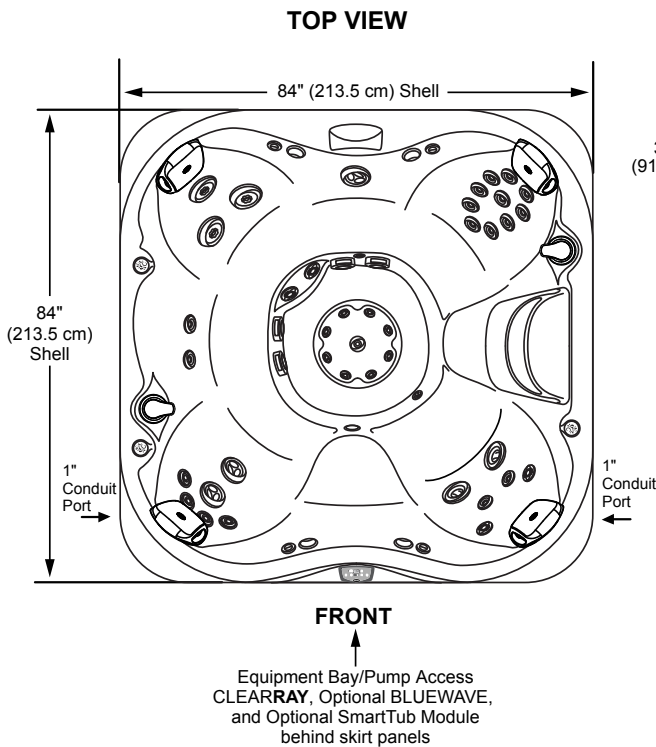
Listed dimensions represent distance from top of acrylic to lowest point in seat. Tolerance $\pm 0.5"$ (1.27 cm).



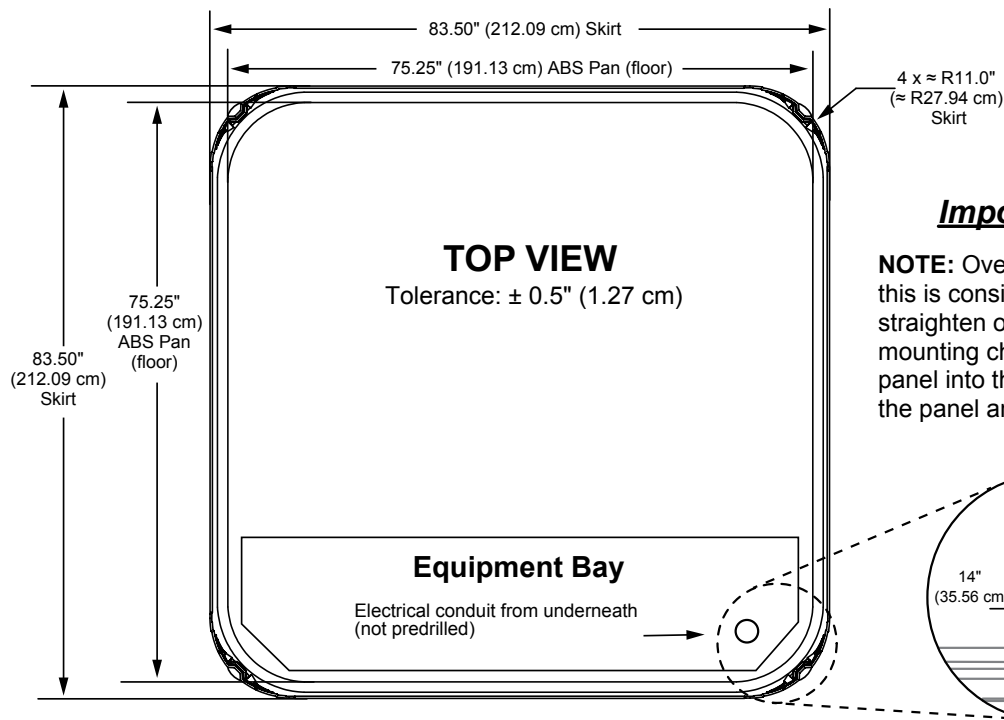
Dimensions/Specifications are Subject to Change Without Notice

Jacuzzi J-345

Dimensions

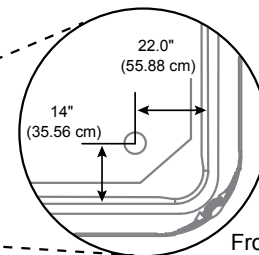


IMPORTANT! Always measure each hot tub for exact dimensions **BEFORE** designing its foundational support and/or decking.



Important Panel Details

NOTE: Over time the panel(s) may bow, this is considered normal. The panels will straighten out when reinstalled into the mounting channel. Place one end of the panel into the channel first then flatten the panel and insert the other end.



From the edge of the ABS pan

Dimensions/specifications subject to change without notice. Tolerance $\pm 0.5"$ (1.27 cm)

Jacuzzi J-335

Specifications

Seating Capacity	5-6 Adults
Dimensions	84" x 84" x 36" (213.5 cm x 213.5 cm x 91.44 cm); For Complete Dimensions, See page 81
Perimeter	336 in. (853.4 cm)
Dry Weight	764 lbs (347 kg)
Filled Weight (Spa Volume)	4,684 lbs (2,125 kg)
Filled Weight (Average Fill)	3,683 lbs (1,671 kg)
Water Capacity (Spa Volume)	450 US gallons (1,703 Liters)
Water Capacity (Average Fill)	350 US gallons (1,325 Liters)
Electronic Controls	Solid state electronic controls with LCD readout, programmable temperature, filtration, and heat cycles
Pump 1	North America (60 Hz): 1-Speed, 4.8 HP brake, 2.5 HP continuous, 56 Frame Export (50 Hz): 1-Speed, 2.0 HP continuous
Pump 2	North America (60 Hz): 1-Speed, 4.8 HP brake, 2.5 HP continuous, 56 Frame Export (50 Hz): 1-Speed, 2.0 HP continuous
Circulation Pump	Yes, 8-hour
Heater	North America (60 Hz): 5.5 kW High Flow Export (50 Hz) 2.7 kW High Flow
Total PowerPro® Jets	42
Seat A Jets	2 PowerPro® FX Large Rotational
Seat B Jets	4 PowerPro® FX, 1 PowerPro® FX Large Rotational, 12 PowerPro® BX
Seat C Jets	1 PowerPro® FX Large Rotational
Seat D Jets	10 PowerPro® FX, 2 PowerPro® FX Rotational
Seat D HYDROSOOTHE™ Jets	2 PowerPro® FX Directional with independent flow rate valve
Seat E Jets	2 PowerPro® FX, 2 PowerPro® FX Rotational, 2 PowerPro® FX Large
Footwell (F)	2 PowerPro® MX
Massage Selectors	2
Air Controls	3, On/Off rocker style
Water Management System	Two 60 ft ² filter cartridges; filter 1 on 8-hour circulation pump; filter 2 on jets pump 1; Factory installed CLEARARRAY Active Oxygen™ Clean Water System Export (50 Hz): Factory installed CLEARARRAY Active Oxygen™ Clean Water System
LED Lighting	One underwater light with 4 color modes, one colored waterfall light, cup holders, 2 HYDROSOOTHE pillow lights, and OPTIONAL exterior light
ProFinish™ Cabinet Colors	Modern Hardwood, Brushed Gray, and Smoked Ebony
Acrylic Colors	Platinum, Silver Pearl, Monaco, Midnight, Porcelain
Headrests	4
Waterfall	One independent flow rate (on or off) adjustment; powered by the circulation pump
Heater:	North America (60 Hz): 5.5 kW, High Flow Export (50 Hz): High Flow, 2.7 kW
Electrical Requirements:	North America (60 Hz): 240 VAC@40A, 50A, or 60A Export (50 Hz): 220-240 VAC@1x32A, 1x20A/1x16A, 3x16A, or suitably rated circuit breaker to comply with local electrical codes. Certain countries may require dual power inputs; two GFCI RCD breakers are required for this configuration.
Warranty*	North America (60 Hz): 10 Years Shell, 7 Years Shell Surface, 5 Years Plumbing Component Leaks, 5 Years Equipment and Controls, 5 Years Cabinet, 2 Years Jets, 2 Years Lights, 1 Year Stereo; Export (50 Hz): 10 Years Shell, 7 Years Shell Surface, 5 Years Plumbing Component Leaks, 5 Years Equipment and Controls, 5 Years Cabinet, 2 Years Jets, 2 Years Lights, 2 Years Stereo
Special Features (Optional)	SmartTub® Module, Exterior Lights
Audio System (Optional)	BLUEWAVE® Spa Stereo System (Bluetooth/Aux compatible) with four speakers and subwoofer

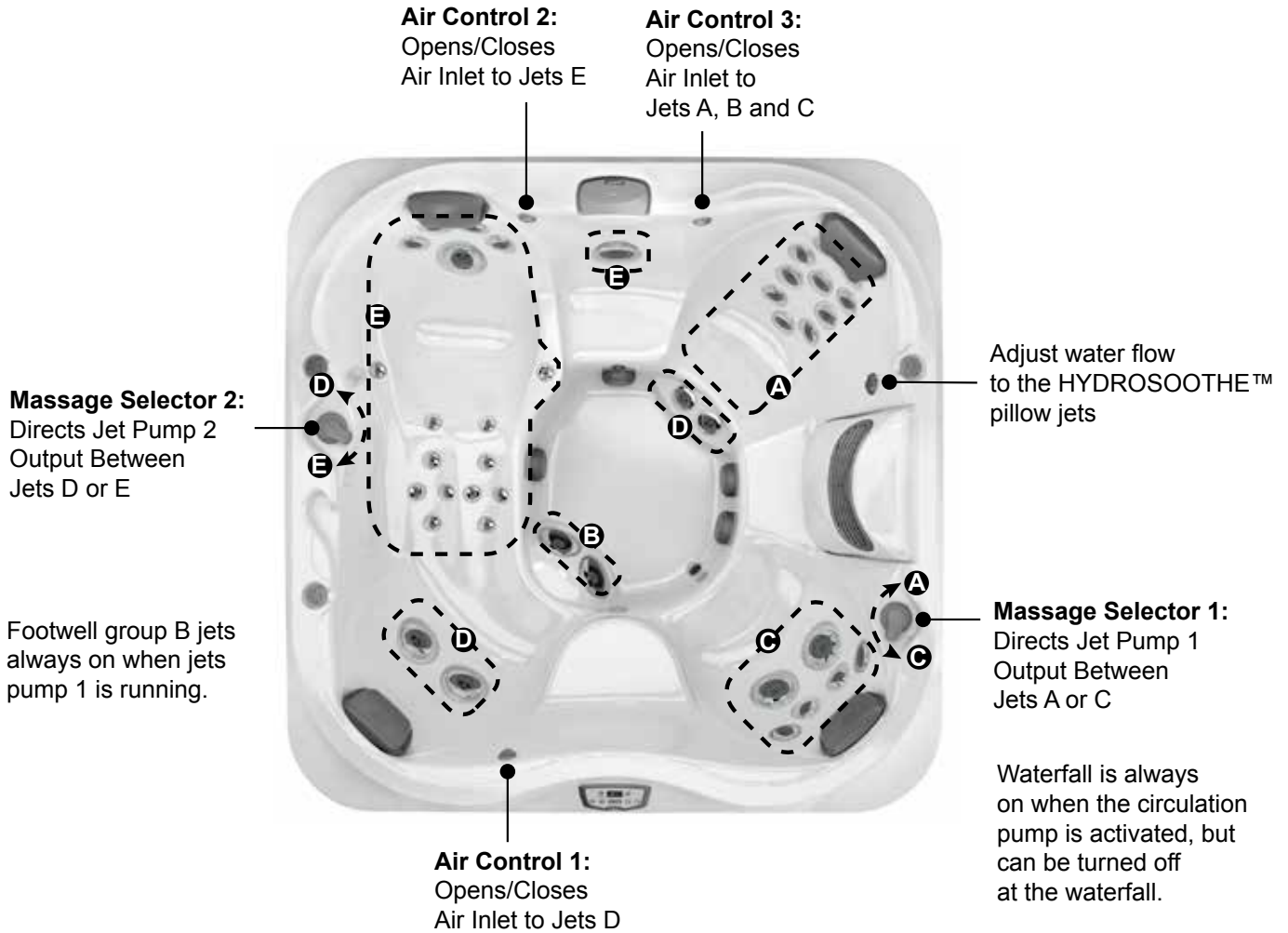


*(See Warranty Document for Specific Details)

Dimensions/Specifications are Subject to Change Without Notice

Jacuzzi J-335

Operation/Seat Depths



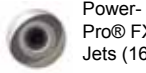
42 Total Jets



Power-Pro® BX
Jets (12)



HYDROSOOTHE
Jets (2)



Power-Pro® FX
Jets (16)



Power-Pro® FX
Rotational
Jets (4)



Power-Pro® FX
Large
Jets (2)



Power-Pro® FX
Large
Rotational
Jets (4)



Power-Pro® MX
Jets (2)

Spa Operation Subject to Change without Notice

Seat Depths

A = 25.75" (65.4 cm)

B = 27.50" (69.9 cm)

C = 23.50" (59.7 cm)

D = 28.25" (71.8 cm)

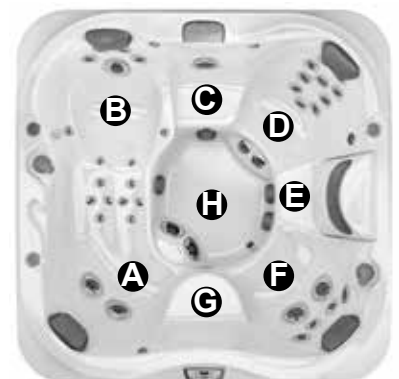
E = 22.75" (57.8 cm)

F = 25.50" (64.8 cm)

G = 16.75" (42.5 cm)

H = 33.50" (85.1 cm)

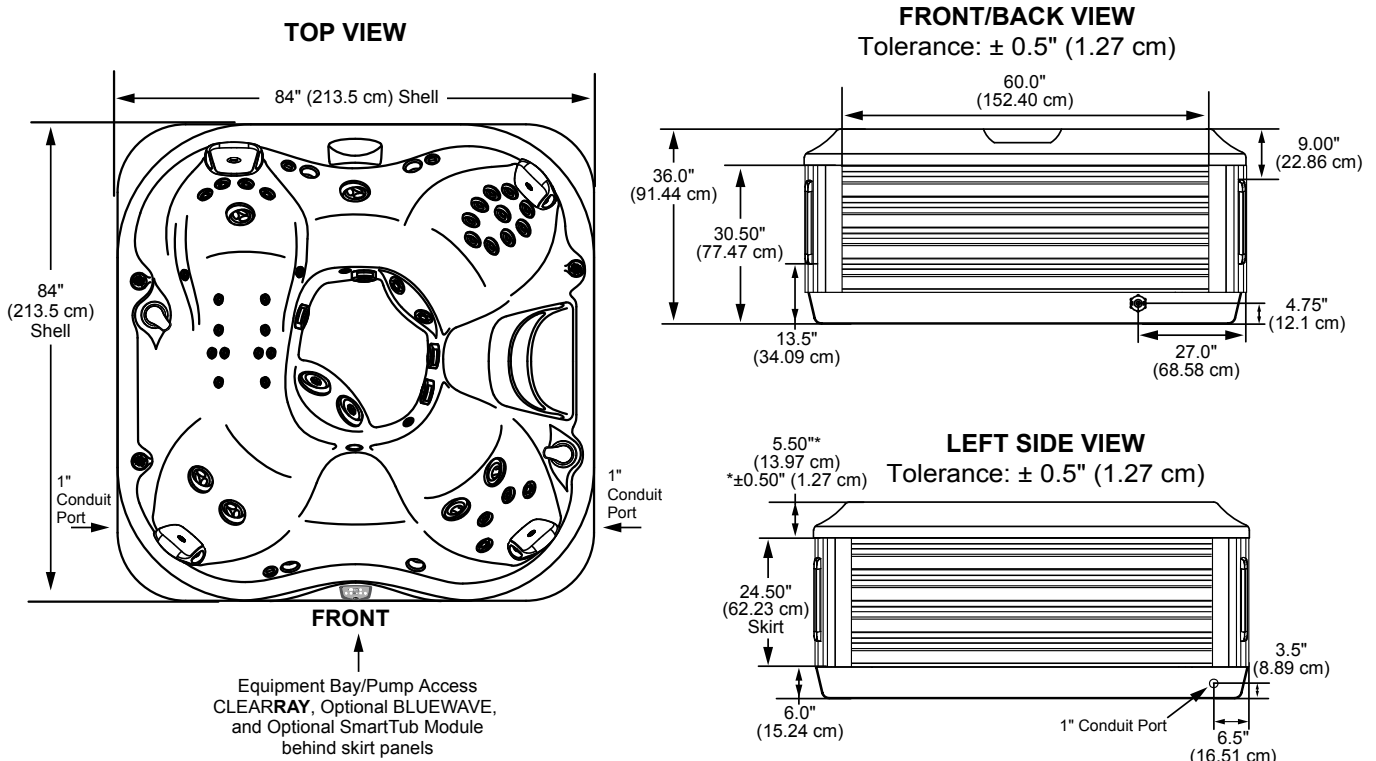
Listed dimensions
represent distance from
top of acrylic to lowest
point in seat. Tolerance \pm
0.5" (1.27 cm).



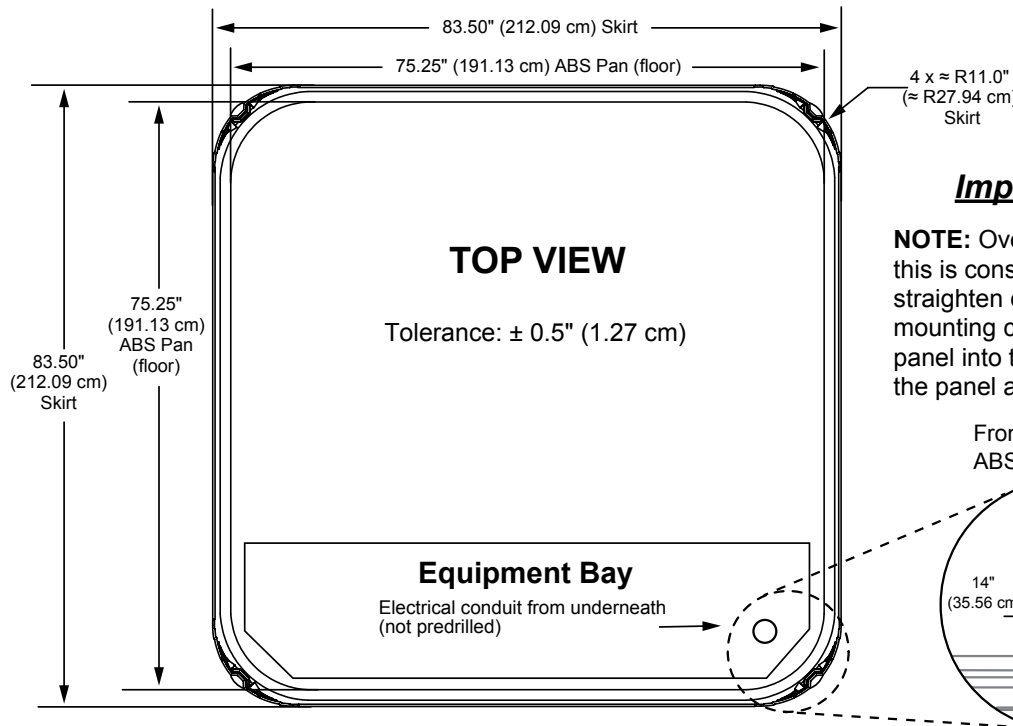
Dimensions/Specifications are Subject to Change Without Notice

Jacuzzi J-335

Dimensions

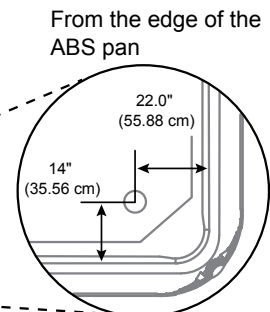


STOP **IMPORTANT! Always measure each hot tub for exact dimensions BEFORE designing its foundational support and/or decking.** **STOP**



Important Panel Details

NOTE: Over time the panel(s) may bow, this is considered normal. The panels will straighten out when reinstalled into the mounting channel. Place one end of the panel into the channel first then flatten the panel and insert the other end.



Dimensions/specifications subject to change without notice. Tolerance $\pm 0.5"$ (1.27 cm)

Jacuzzi J-325

Specifications

Seating Capacity	4-5 Adults
Dimensions	84" x 76" x 33.50" (213.5 cm x 193 cm x 85.09 cm); For Complete Dimensions, See page 81
Perimeter	320 in. (812.8 cm)
Dry Weight	619 lbs (281 kg)
Filled Weight (Spa Volume)	4,372 lbs (1,983 kg)
Filled Weight (Average Fill)	3,413 lbs (1,548 kg)
Water Capacity (Spa Volume)	450 US gallons (1,703 Liters)
Water Capacity (Average Fill)	335 US gallons (1,268 Liters)
Electronic Controls	Solid state electronic controls with LCD readout, programmable temperature, filtration, and heat cycles
Pump 1 (Convertible)	North America (60 Hz): 1-Speed, 2.5 HP brake, 1.5 HP continuous, 56 Frame
(3-Wire 240V)	North America (60 Hz): 1-Speed, 4.8 HP brake, 2.5 HP continuous, 56 Frame
Export (50 Hz):	1-Speed, 2.0 HP continuous
Circulation Pump	Yes, 8-hour
Heater (Convertible)	North America (60 Hz): 1 kW/4.0 kW Low Flow
(3-Wire 240V)	North America (60 Hz): 4.0 kW Low Flow
Export (50 Hz)	2.7 kW Low Flow
Total PowerPro® Jets	23
Seat A Jets	2 PowerPro® FX, 2 PowerPro® FX Rotational, 2 PowerPro® FX Large
Seat B Jets	1 PowerPro® FX Large Rotational, 2 PowerPro® FX Large
Seat C Jets	4 PowerPro® FX, 2 PowerPro® FX Large Rotational
Seat C HYDROSOOTHE™ Jets	2 PowerPro® FX Directional with independent flow rate valve
Seat D Jets	2 PowerPro® FX Large Rotational
Footwell (E)	4 PowerPro® FX Small
Massage Selectors	1
Air Controls	4, On/Off rocker style
Water Management System	Two 60 ft ² filter cartridges; filter 1 on 8-hour circulation pump; filter 2 on jets pump 1; Factory installed CLEARARRAY Active Oxygen™ Clean Water System
Export (50 Hz):	Factory installed CLEARARRAY Active Oxygen™ Clean Water System
LED Lighting	One underwater light with 4 color modes, one colored waterfall light, 2 HYDROSOOTHE pillow lights, and OPTIONAL exterior light
ProFinish™ Cabinet Colors	Modern Hardwood, Brushed Gray, and Smoked Ebony
Acrylic Colors	Platinum, Silver Pearl, Monaco, Midnight, Porcelain
Headrests	4
Waterfall	One independent flow rate (on or off) adjustment; powered by the circulation pump
Heater:	North America (60 Hz): Convertible: 1kW/4kW; 3-Wire 240V 5.5 kW, High Flow
Export (50 Hz):	High Flow, 2.7 kW
Electrical Requirements:	North America (60 Hz): Convertible 120 VAC@15A or 240 VAC@30A, 40A, North America (60 Hz): 3-Wire 240V@30A, 40A Export (50 Hz): 220-240 VAC@1x16A or 2x16A, or suitably rated circuit breaker to comply with local electrical codes. Certain countries may require dual power inputs; two GFCI RCD Breakers are required for this configuration.
Warranty*	North America (60 Hz): 10 Years Shell, 7 Years Shell Surface, 5 Years Plumbing Component Leaks, 5 Years Equipment and Controls, 5 Years Cabinet, 2 Years Jets, 2 Years Lights, 1 Year Stereo; Export (50 Hz): 10 Years Shell, 7 Years Shell Surface, 5 Years Plumbing Component Leaks, 5 Years Equipment and Controls, 5 Years Cabinet, 2 Years Jets, 2 Years Lights, 2 Years Stereo
Special Features (Optional)	SmartTub® Module, Exterior Lights
Audio System (Optional)	BLUEWAVE® Spa Stereo System (Bluetooth/Aux compatible) with four speakers and subwoofer

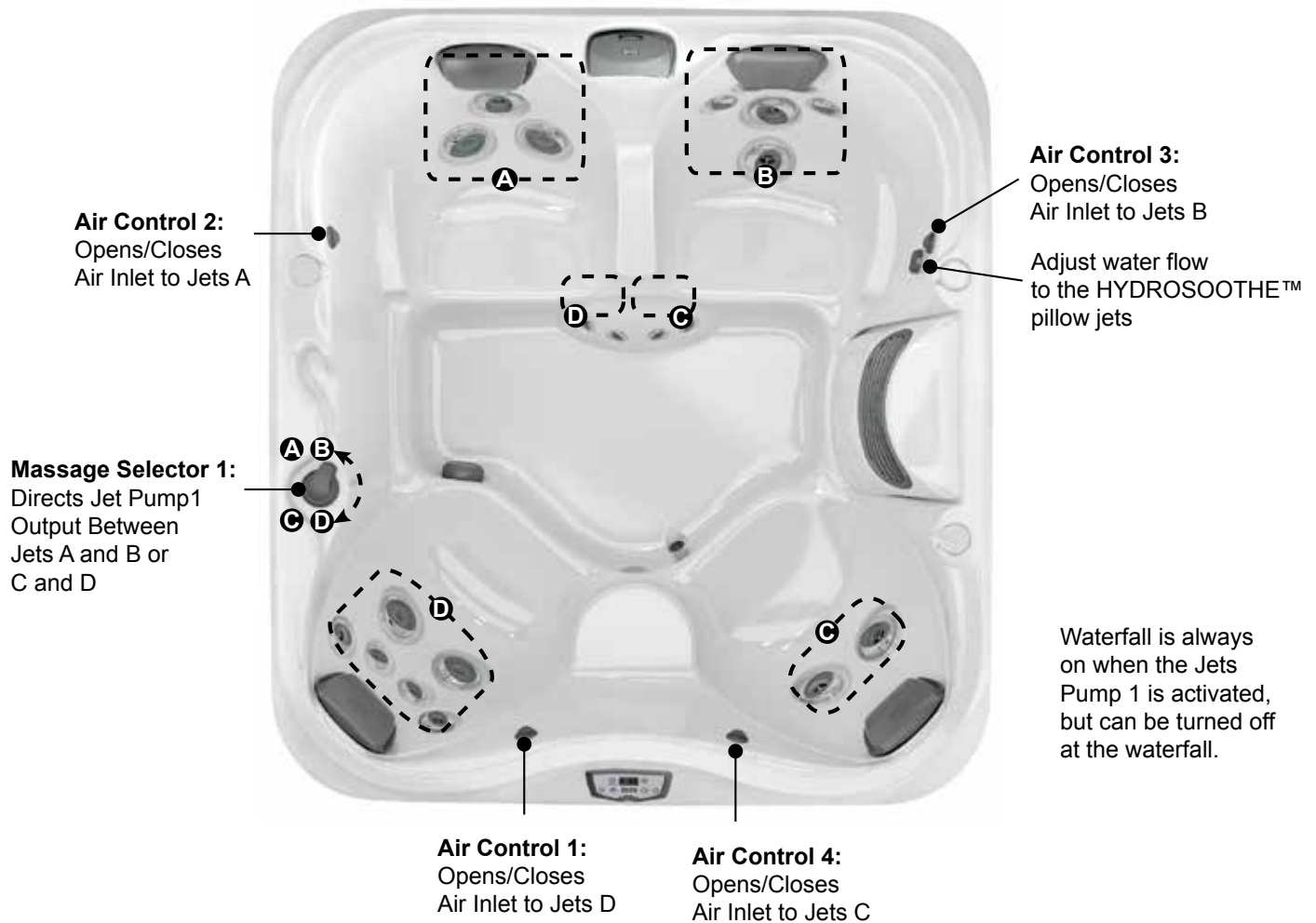


*(See Warranty Document for Specific Details)

Dimensions/Specifications are Subject to Change Without Notice

Jacuzzi J-325

Operation/Seat Depths



23 Total Jets



Spa Operation Subject to Change without Notice

Seat Depths

- A = 27.38" (69.5 cm)
- B = 27.38" (69.5 cm)
- C = 27.38" (69.5 cm)
- D = 25.75" (65.4 cm)
- E = 16.63" (42.2 cm)
- F = 31.25" (79.4 cm)

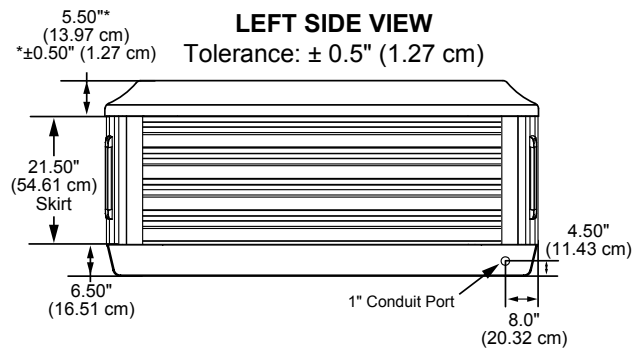
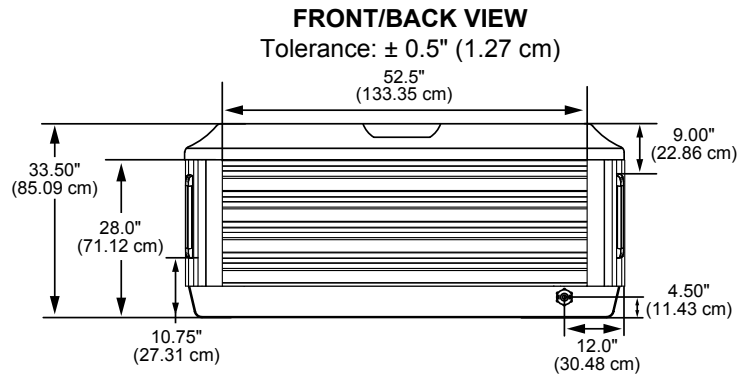
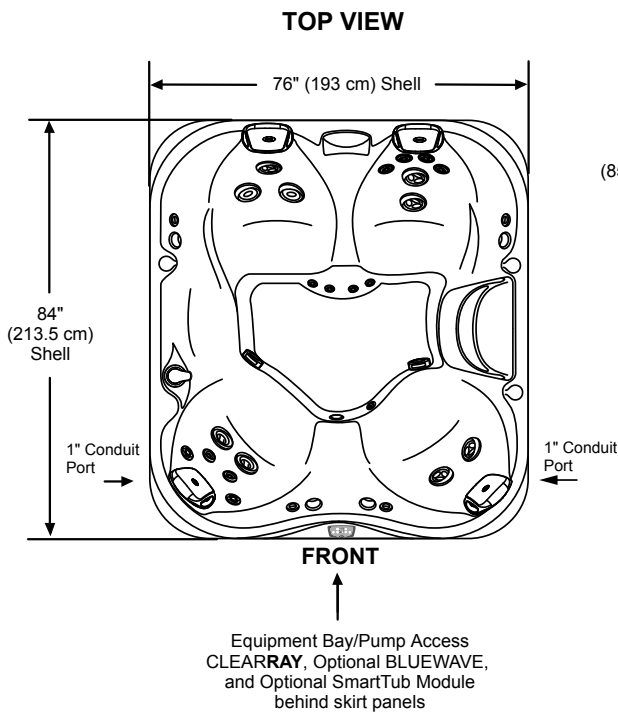
Listed dimensions represent distance from top of acrylic to lowest point in seat.
Tolerance $\pm 0.5"$ (1.27 cm).



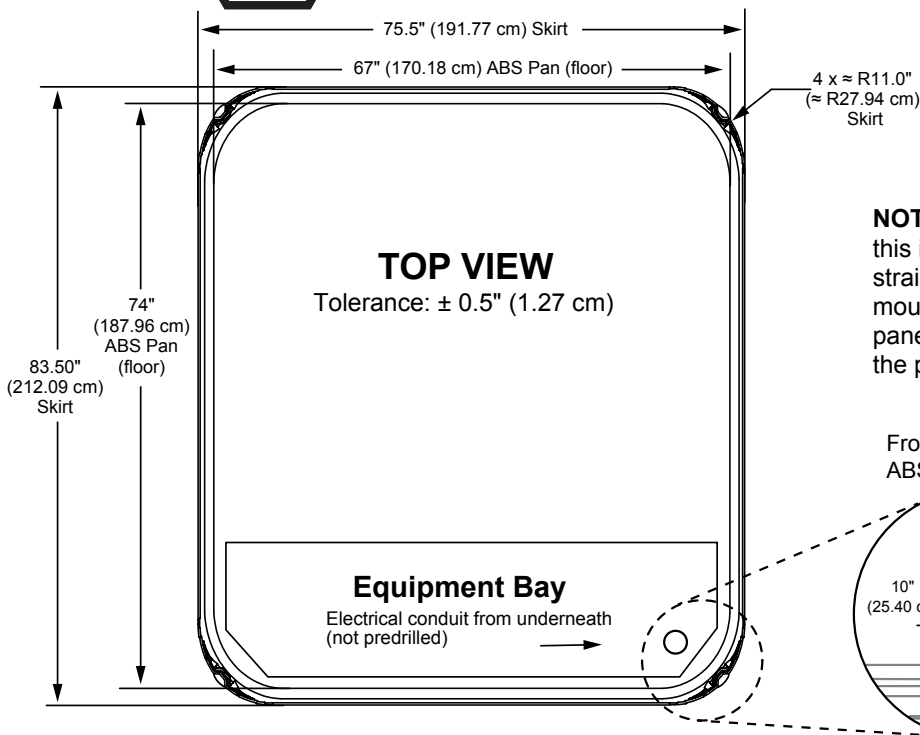
Dimensions/Specifications are Subject to Change Without Notice

Jacuzzi J-325

Dimensions



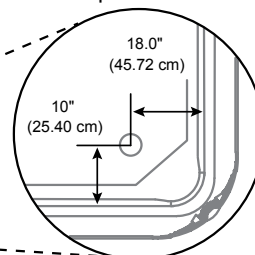
IMPORTANT! Always measure each hot tub for exact dimensions **BEFORE** designing its foundational support and/or decking.



Important Panel Details

NOTE: Over time the panel(s) may bow, this is considered normal. The panels will straighten out when reinstalled into the mounting channel. Place one end of the panel into the channel first then flatten the panel and insert the other end.

From the edge of the ABS pan

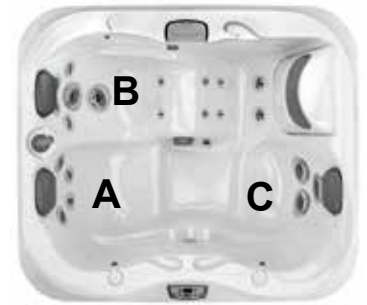


Dimensions/specifications subject to change without notice. Tolerance $\pm 0.5"$ (1.27 cm)

Jacuzzi J-315

Specifications

Seating Capacity	2-3 Adults
Dimensions	66" x 76" x 31.75" (168 cm x 193 cm x 80.65 cm); For Complete Dimensions, See page 81
Perimeter	284 in. (721.4 cm)
Dry Weight	531 lbs (241 kg)
Filled Weight (Spa Volume)	2,866 lbs (1,300 kg)
Filled Weight (Average Fill)	2,282 lbs (1,035 kg)
Water Capacity (Spa Volume)	280 US gallons (1,060 Liters)
Water Capacity (Average Fill)	210 US gallons (795 Liters)
Electronic Controls	Solid state electronic controls with LCD readout, programmable temperature, filtration, and heat cycles
Pump 1 (Convertible)	North America (60 Hz): 1-Speed, 2.5 HP brake, 1.5 HP continuous, 56 Frame
(3-Wire 240V)	North America (60 Hz): 1-Speed, 4.8 HP brake, 2.5 HP continuous, 56 Frame
Export (50 Hz):	1-Speed, 2.0 HP continuous
Circulation Pump	Yes, 8-hour
Heater (Convertible)	North America (60 Hz): 1 kW/4.0 kW Low Flow
(3-Wire 240V)	North America (60 Hz): 4.0 kW Low Flow
Export (50 Hz)	2.7 kW Low Flow
Total PowerPro® Jets	23
Seat A Jets	2 PowerPro® FX Rotational, 2 PowerPro® FX
Seat B Jets	6 PowerPro® FX, 2 PowerPro® FX Large Rotational, 6 PowerPro® BX
Seat B HYDROSOOTHE™ Jets	2 PowerPro® FX Directional with independent flow rate valve
Seat C Jets	1 PowerPro® FX Large Rotational, 2 PowerPro® FX Large Rotational
Massage Selectors	1
Air Controls	3, On/Off rocker style
Water Management System	Two 60 ft ² filter cartridges; filter 1 on 8-hour circulation pump; filter 2 on jets pump 1; Factory installed CLEARARRAY Active Oxygen™ Clean Water System
Export (50 Hz):	Factory installed CLEARARRAY Active Oxygen™ Clean Water System
LED Lighting	One underwater light with 4 color modes, one colored waterfall light, 2 HYDROSOOTHE pillow lights, and OPTIONAL exterior light
ProFinish™ Cabinet Colors	Modern Hardwood, Brushed Gray, and Smoked Ebony
Acrylic Colors	Platinum, Silver Pearl (Gypsum), Monaco, Midnight, Porcelain
Headrests	3
Waterfall	One independent flow rate (on or off) adjustment; powered by the circulation pump
Heater:	North America (60 Hz): Convertible: 1kW/4kW; 3-Wire 240V 5.5 kW, High Flow
Export (50 Hz):	High Flow, 2.7 kW
Electrical Requirements:	North America (60 Hz): Convertible 120 VAC@15A or 240 VAC@30A, 40A North America (60 Hz): 3-Wire 240V@30A, 40A Export (50 Hz): 220-240 VAC@1x16A, or 2x16A, or suitably rated circuit breaker to comply with local electrical codes. Certain countries may require dual power inputs; two GFCI RCD breakers are required for this configuration.
Warranty*	North America (60 Hz): 10 Years Shell, 7 Years Shell Surface, 5 Years Plumbing Component Leaks, 5 Years Equipment and Controls, 5 Years Cabinet, 2 Years Jets, 2 Years Lights, 1 Year Stereo; Export (50 Hz): 10 Years Shell, 7 Years Shell Surface, 5 Years Plumbing Component Leaks, 5 Years Equipment and Controls, 5 Years Cabinet, 2 Years Jets, 2 Years Lights, 2 Years Stereo
Special Features (Optional)	SmartTub® Module, Exterior Lights
Audio System (Optional)	BLUEWAVE® Spa Stereo System (Bluetooth/Aux compatible) with four speakers and subwoofer

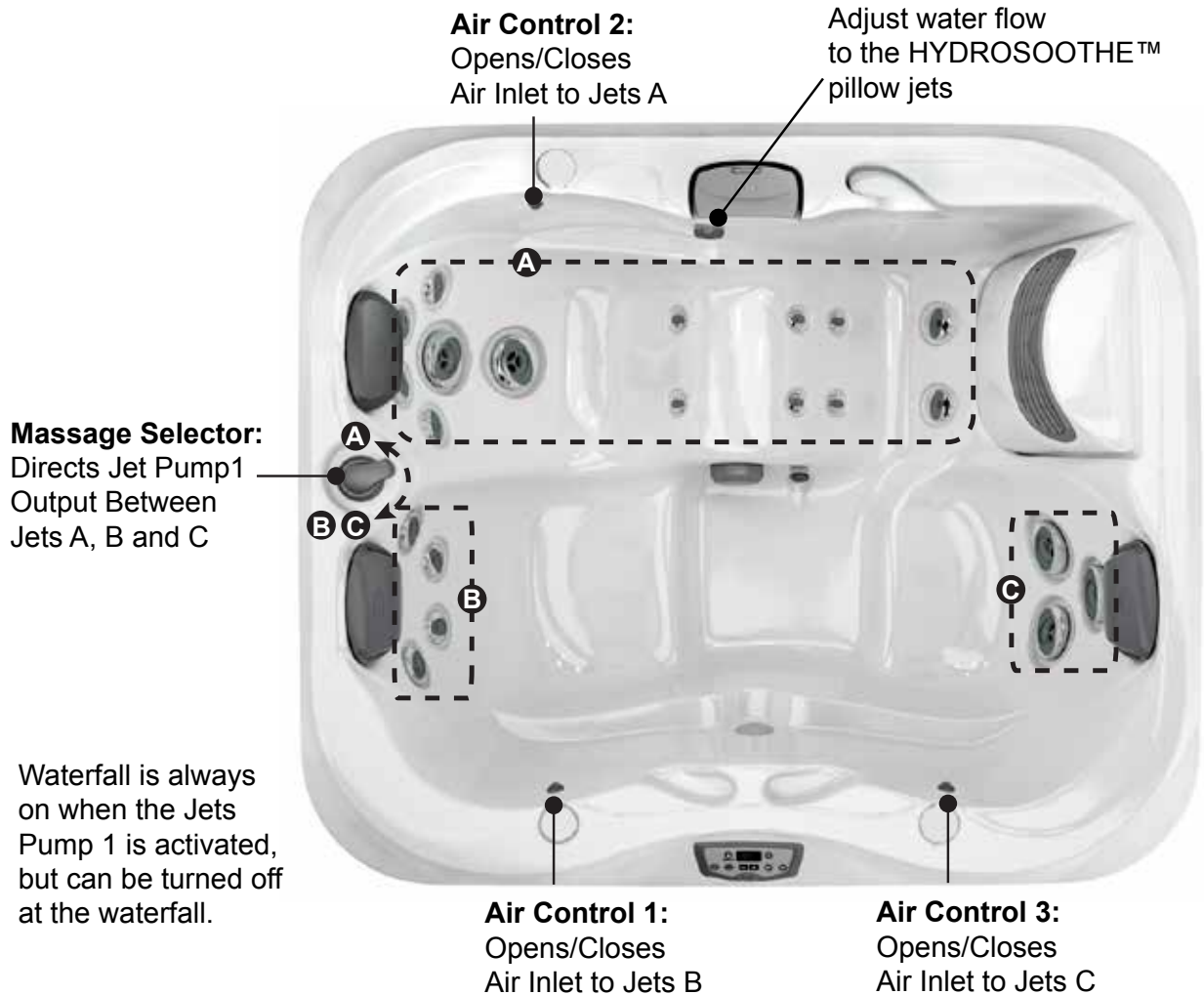


*(See Warranty Document for Specific Details)

Dimensions/Specifications are Subject to Change Without Notice

Jacuzzi J-315

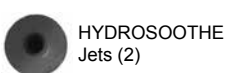
Operation/Seat Depths



23 Total Jets



Power-Pro® BX
Jets (6)



HYDROSOOTHE
Jets (2)



Power-Pro® FX
Jets (8)



Power-Pro® FX
Rotational
Jets (2)



Power-Pro® FX
Large
Jets (2)



Power-Pro® FX
Large
Rotational
Jets (3)

Spa Operation Subject to Change without Notice

Seat Depths

- A = 27.50" (69.9 cm)**
- B = 26.25" (66.7 cm)**
- C = 27.88" (70.8 cm)**
- D = 26.75" (69.4 cm)**
- E = 27.50" (69.9 cm)**

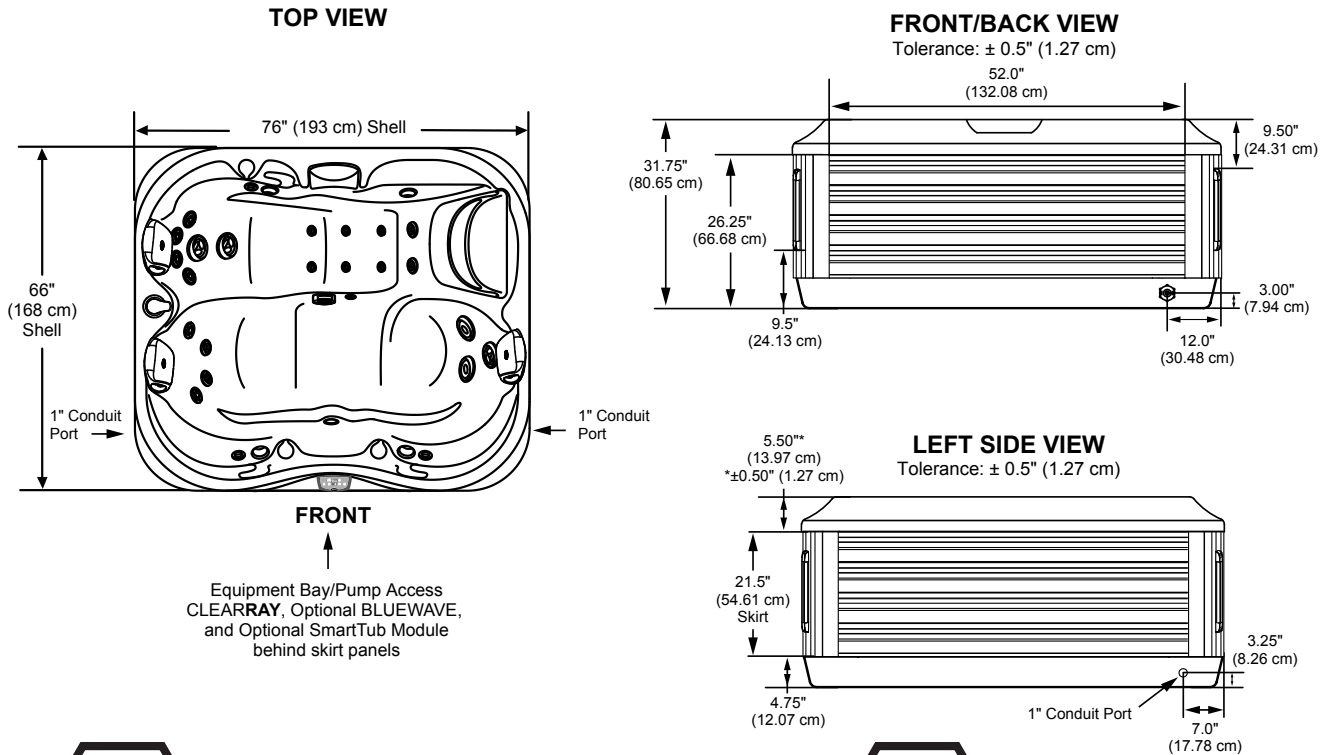
Listed dimensions
represent distance from
top of acrylic to lowest
point in seat. Tolerance
± 0.5" (1.27 cm).



Dimensions/Specifications are Subject to Change Without Notice

Jacuzzi J-315

Dimensions

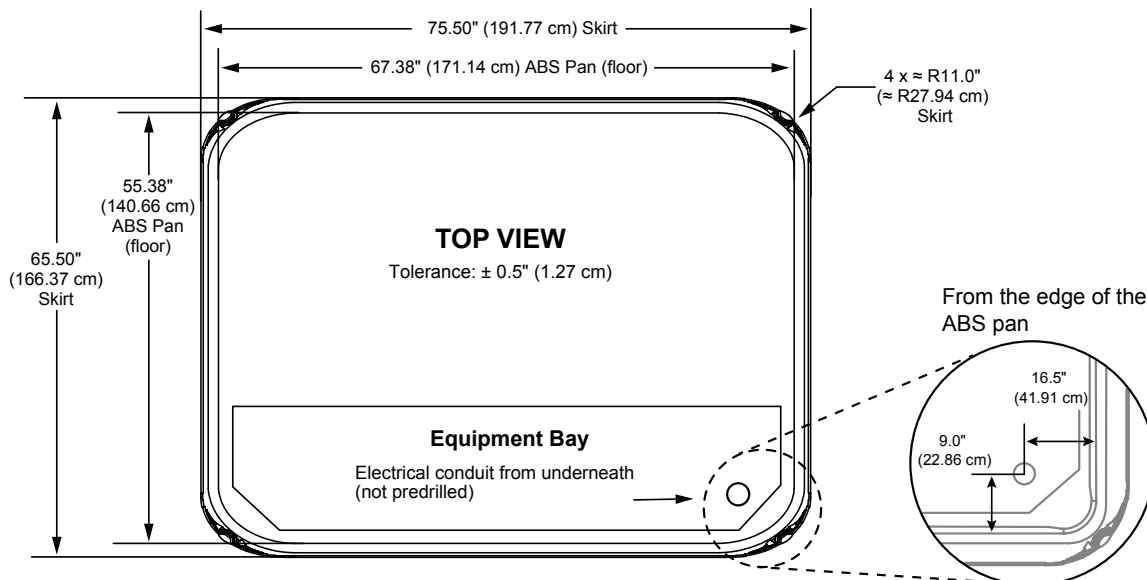


IMPORTANT! Always measure each hot tub for exact dimensions **BEFORE** designing its foundational support and/or decking.



Important Panel Details


NOTE: Over time the panel(s) may bow, this is considered normal. The panels will straighten out when reinstalled into the mounting channel. Place one end of the panel into the channel first then flatten the panel and insert the other end.



Dimensions/specifications subject to change without notice. Tolerance $\pm 0.5"$ (1.27 cm)

Jacuzzi J-285

Specifications

Seating Capacity.....	6-7 Adults	
Dimensions	89" x 89" x 36" (226 cm x 226 cm x 91 cm); For Complete Dimensions, See page 82	
Perimeter.....	356 in. (904.24 cm)	
Dry Weight.....	777 lbs (352 kg)	
Filled Weight (Spa Volume)	4,905 lbs (2,225 kg)	
Filled Weight (Average Fill).....	3,821 lbs (1,733 kg)	
Water Capacity (Spa Volume) ...	495 US gallons (1,874 Liters)	
Water Capacity (Average Fill) ...	365 US gallons (1,382 Liters)	
Electronic Controls	Solid state electronic controls with LED readout, programmable temperature, filtration, and heat cycles	
Pump 1.....	North America (60 Hz): 2-Speed, 4.5 HP brake, 2.5 HP continuous, 56 Frame Export (50 Hz): 2-Speed, 2.0 HP continuous	
Pump 2.....	North America (60 Hz): 1-Speed, 4.8 HP brake, 2.5 HP continuous, 56 Frame Export (50 Hz): 1-Speed, 2.0 HP continuous	
Circulation Pump.....	No	
Total Jets	42	
Seat A Jets	2 SL Directional, 4 SL3R Rotational	
Seat B Jets	2 SL5 Directional	
Seat C Jets	2 SL Directional, 1 SL3 Directional, 8 SLR Rotational	
Seat D Jets	1 SL5 Directional	
Seat E Jets	2 SL Directional, 6 SL3 Directional	
Seat F Jets.....	4 SL3R Rotational, 2 SL5R Rotational	
Footwell (G).....	8 SL Directional	
Massage Selectors	None	
Air Controls.....	2	
Water Management System	One 50 ft ² filter cartridge on jets pump 1, Factory installed CLEARRAY® unit Export (50 Hz): Factory installed CLEARRAY® unit	
LED Lighting	LED Lighting System (Interior Surround); Standard Exterior Light	
Cabinet Colors	Smoked, Charcoal	
Acrylic Colors	Platinum, Silver Pearl, Monaco, Midnight, Porcelain	
Headrests	4	
Heater:.....	North America (60 Hz): 5.5 kW, High Flow Export (50 Hz): High Flow, 2.7 kW	
Electrical Requirements:	North America (60 Hz): 240 VAC@40A, 50A or 60A Export (50 Hz): 220-240 VAC@1x16A, 1x32A or 2 out of 3-phase (see manual) or suitably rated circuit breaker to comply with local electrical codes. Certain countries may require dual power inputs; two GFCI RCD breakers are required for this configuration.	
Warranty*.....	North America (60 Hz): 5 Years Shell, 3 Years Shell Surface, 3 Years Plumbing Component Leaks, 3 Years Equipment and Controls, 1 Year Cabinet, 1 Year Jets Export (50 Hz): 5 Years Shell, 3 Years Shell Surface, 3 Years Plumbing Component Leaks, 3 Years Equipment and Controls, 1 Year Cabinet, 1 Year Jets	
Alternative Insulation (Standard):	Yes (Insulation Panels)	
Special Features (Optional)	Factory Installed SmartTub® Module	
Audio System (Optional).....	N/A	

*(See Warranty Document for Specific Details)

Dimensions/Specifications are Subject to Change Without Notice

Jacuzzi J-285

Operation/Seat Depths



Air Control 1:
Opens/Closes
Air Inlet to Jet
Group A

Air Control 2:
Opens/Closes
Air Inlet to Jet
Group B

Group A Jets are
always on when
Pump 1 is running.

Group B Jets are
always on when
Pump 2 is running.

42 Total Jets



Spa Operation Subject to Change without Notice

Seat Depths

A = 26.00" (66.04 cm)
B = 21.75" (55.25 cm)
C = 25.00" (63.50 cm)
D = 21.63" (54.93 cm)
E = 27.00" (68.58 cm)
F = 18.00" (45.72 cm)

G = 23.25" (59.06 cm)
H = 17.25" (43.82 cm)
I = 30.00" (76.20 cm)

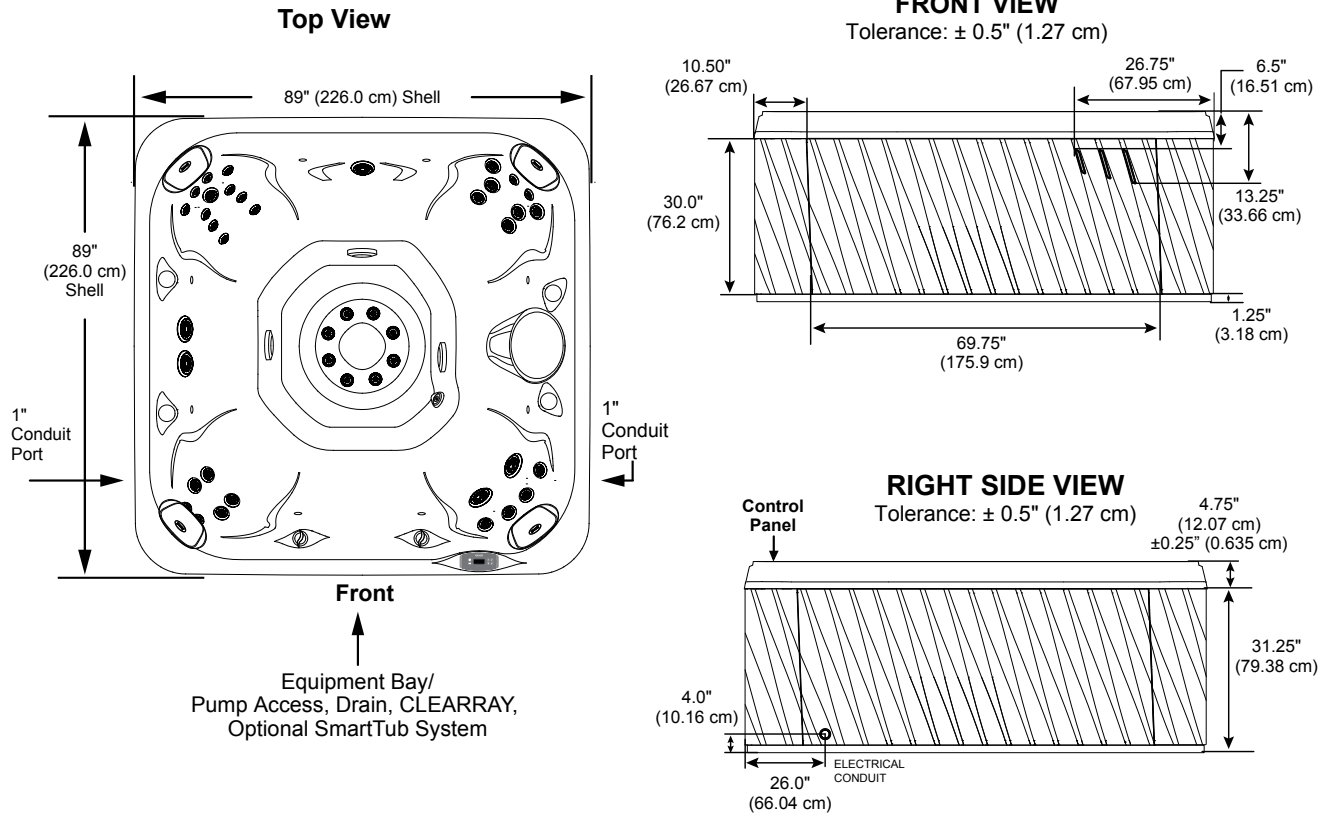
Listed dimensions
represent distance from
top of acrylic to lowest
point in seat. Tolerance
± 0.5" (1.27 cm).



Dimensions/Specifications are Subject to Change Without Notice

Jacuzzi J-285

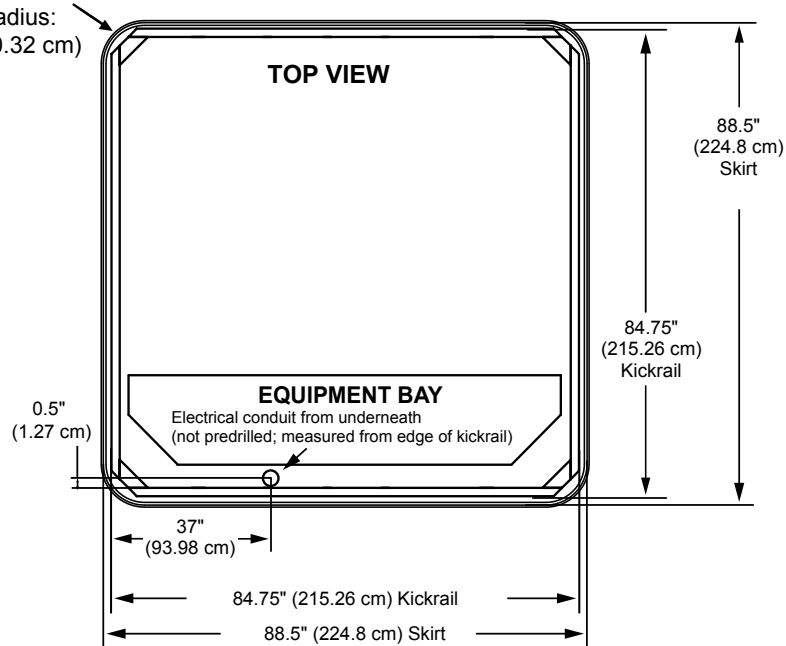
Dimensions



IMPORTANT! Always measure each hot tub for exact dimensions **BEFORE** designing its foundational support and/or decking.



Cabinet Radius:
 $\approx 10.0"$ (20.32 cm)



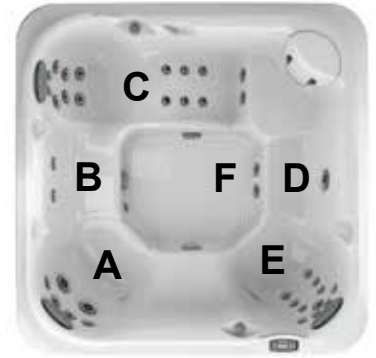
Dimensions/specifications subject to change without notice. Tolerance: $\pm 0.5"$ (1.27 cm)

Dimensions/specifications subject to change without notice. Tolerance $\pm 0.5"$ (1.27 cm)

Jacuzzi J-275

Specifications

Seating Capacity	6 Adults
Dimensions	89" x 89" x 36" (226 cm x 226 cm x 91 cm); For Complete Dimensions, See page 82
Perimeter	356 in. (904.24 cm)
Dry Weight	774 lbs (351 kg)
Filled Weight (Spa Volume)	4,861 lbs (2,205 kg)
Filled Weight (Average Fill)	3,776 lbs (1,713 kg)
Water Capacity (Spa Volume)	490 US gallons (1,855 Liters)
Water Capacity (Average Fill)	360 US gallons (1,363 Liters)
Electronic Controls	Solid state electronic controls with LED readout, programmable temperature, filtration, and heat cycles
Pump 1	North America (60 Hz): 2-Speed, 4.5 HP brake, 2.5 HP continuous, 56 Frame
Export (50 Hz):	2-Speed, 2.0 HP continuous
Pump 2	North America (60 Hz): 1-Speed, 4.8 HP brake, 2.5 HP continuous, 56 Frame
Export (50 Hz):	1-Speed, 2.0 HP continuous
Circulation Pump	No
Total Jets	38
Seat A Jets	4 SL3R Rotational, 2 SL5R Rotational
Seat B Jets	2 SL3R Rotational
Seat C Jets	6 SL Directional, 8 SL3 Directional, 2 SLR Rotational
Seat D Jet	1 SL5 Directional
Seat E Jets	8 SL Directional, 2 SLR Rotational, 1 SL3 Directional
Footwell (F)	2 SL3 Directional
Massage Selectors	None
Air Controls	2
Water Management System	One 50 ft ² filter cartridge on jets pump 1, Factory installed CLEARARRAY® unit
Export (50 Hz):	Factory installed CLEARARRAY® unit
LED Lighting	LED Lighting System (Interior Surround); Standard Exterior Light
Cabinet Colors	Smoked, Charcoal
Acrylic Colors	Platinum, Silver Pearl, Monaco, Midnight, Porcelain
Headrests	3
Heater:	North America (60 Hz): 5.5 kW, High Flow
Export (50 Hz):	High Flow, 2.7 kW
Electrical Requirements:	North America (60 Hz): 240 VAC@40A, 50A or 60A Export (50 Hz): 230 VAC@1x16A, 1x32A or 2 out of 3-phase (see manual) or suitably rated circuit breaker to comply with local electrical codes. Certain countries may require dual power inputs; two GFCI RCD breakers are required for this configuration.
Warranty*	North America (60 Hz): 5 Years Shell, 3 Years Shell Surface, 3 Years Plumbing Component Leaks, 3 Years Equipment and Controls, 1 Year Cabinet, 1 Year Jets Export (50 Hz): 5 Years Shell, 3 Years Shell Surface, 3 Years Plumbing Component Leaks, 3 Years Equipment and Controls, 1 Year Cabinet, 1 Year Jets
Alternative Insulation (Standard):	Yes (Insulation Panels)
Special Features (Optional)	Factory installed SmartTub® Module
Audio System (Optional)	N/A



*(See Warranty Document for Specific Details)

Dimensions/Specifications are Subject to Change Without Notice

Jacuzzi J-275

Operation/Seat Depths



Air Control 2:
Opens/Closes
Air Inlet to Jet
Group B

Air Control 1:
Opens/Closes
Air Inlet to Jet
Group A

Group A Jets are
always on when
Pump 1 is running.

Group B Jets are
always on when
Pump 2 is running.

38 Total Jets



Spa Operation Subject to Change without Notice

Seat Depths

- A = 24.50" (62.23 cm)
- B = 21.50" (54.61 cm)
- C = 24.75" (62.87 cm)
- D = 25.50" (64.77 cm)
- E = 17.50" (44.45 cm)
- F = 21.38" (54.29 cm)

- G = 25.75" (65.41 cm)
- H = 17.25" (43.82 cm)
- I = 30.00" (76.20 cm)

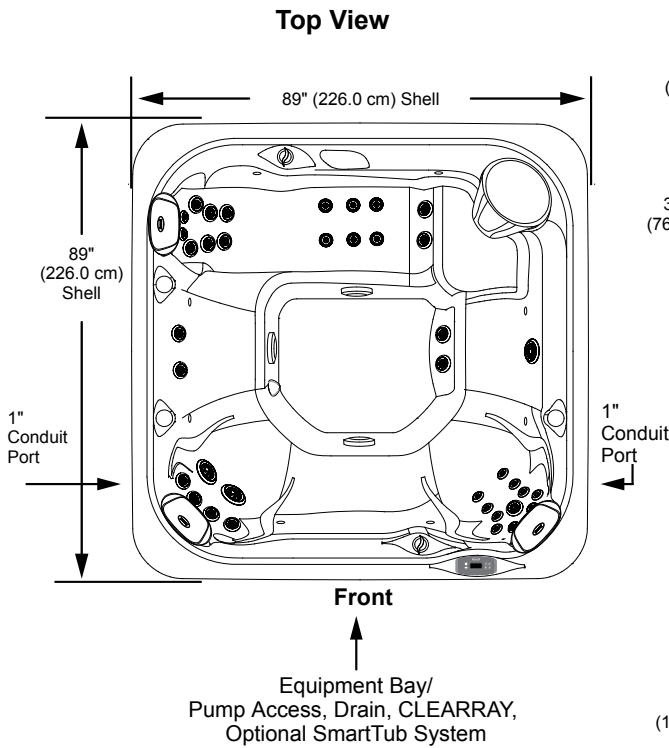
Listed dimensions
represent distance from
top of acrylic to lowest
point in seat. Tolerance
± 0.5" (1.27 cm).



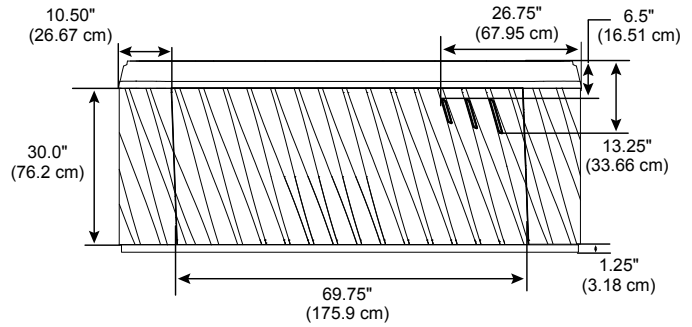
Dimensions/Specifications are Subject to Change Without Notice

Jacuzzi J-275

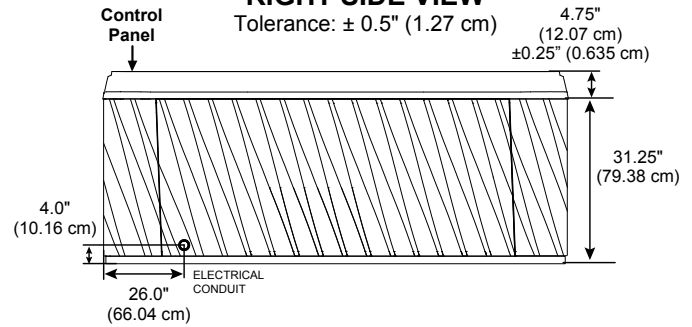
Dimensions



FRONT VIEW
Tolerance: $\pm 0.5"$ (1.27 cm)



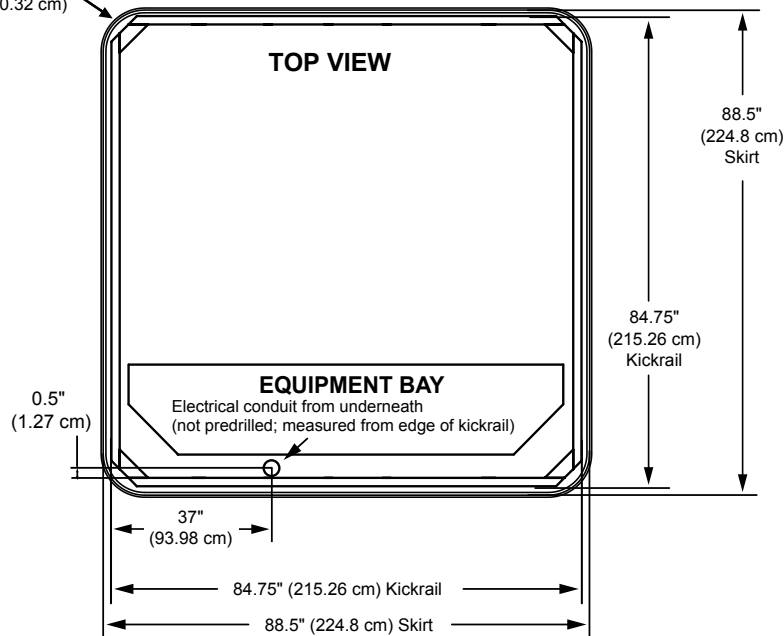
RIGHT SIDE VIEW
Tolerance: $\pm 0.5"$ (1.27 cm)



IMPORTANT! Always measure each hot tub for exact dimensions BEFORE designing its foundational support and/or decking.



Cabinet Radius:
 $\approx 10.0"$ (20.32 cm)




Dimensions/specifications subject to change without notice. Tolerance: $\pm 0.5"$ (1.27 cm)

Dimensions/specifications subject to change without notice. Tolerance $\pm 0.5"$ (1.27 cm)

Jacuzzi J-245

Specifications

Seating Capacity	6-7 Adults	
Dimensions	84" x 84" x 36" (213 cm x 213 cm x 91 cm); For Complete Dimensions, See page 82	
Perimeter	336 in. (853.4 cm)	
Dry Weight	717 lbs (325 kg)	
Filled Weight (Spa Volume)	4,345 lbs (1,971 kg)	
Filled Weight (Average Fill)	3,386 lbs (1,536 kg)	
Water Capacity (Spa Volume)	435 US gallons (1,647 Liters)	
Water Capacity (Average Fill)	320 US gallons (1,211 Liters)	
Electronic Controls	Solid state electronic controls with LED readout, programmable temperature, filtration, and heat cycles	
Pump 1	North America (60 Hz): 2-Speed, 4.5 HP brake, 2.5 HP continuous, 56 Frame Export (50 Hz):.....2-Speed, 2.0 HP continuous	
Pump 2	North America (60 Hz): 1-Speed, 4.8 HP brake, 2.5 HP continuous, 56 Frame Export (50 Hz):.....1-Speed, 2.0 HP continuous	
Circulation Pump	No	
Total Jets	37	
Seat A	2 SL Directional, 8 SLR Rotational, 1 SL3 Directional	
Seat B	1 SL3R Rotational	
Seat C	2 SL Directional, 6 SL3 Directional	
Seat D	2 SL3R Rotational	
Seat E	2 SL3 Directional, 1 SL5R Rotational	
Seat F	2 SL Directional, 4 SL3R Rotational	
Footwell (G)	4 SL Directional	
Massage Selectors	None	
Air Controls	2	
Water Management System	One 50 ft ² filter cartridge on jets pump 1, Factory installed CLEARRAY® unit Export (50 Hz):Factory installed CLEARRAY® unit	
LED Lighting	LED Lighting System (Interior Surround); Standard Exterior Light	
Cabinet Colors	Smoked, Charcoal	
Acrylic Colors	Platinum, Silver Pearl, Monaco, Midnight, Porcelain	
Headrests	4	
Heater:	North America (60 Hz): 5.5 kW, High Flow	
Export (50 Hz):	High Flow, 2.7 kW	
Electrical Requirements:	North America (60 Hz): 240 VAC@40A, 50A or 60A Export (50 Hz): 220-240 VAC@1x16A, 1x32A or 2 out of 3-phase (see manual) or suitably rated circuit breaker to comply with local electrical codes. Certain countries may require dual power inputs; two GFCI RCD breakers are required for this configuration.	
Warranty*	North America (60 Hz): 5 Years Shell, 3 Years Shell Surface, 3 Years Plumbing Component Leaks, 3 Years Equipment and Controls, 1 Year Cabinet, 1 Year Jets Export (50 Hz): 5 Years Shell, 3 Years Shell Surface, 3 Years Plumbing Component Leaks, 3 Years Equipment and Controls, 1 Year Cabinet, 1 Year Jets	
Alternative Insulation (Standard):	Yes (Insulation Panels)	
Special Features (Optional)	Factory installed SmartTub® Module	
Audio System (Optional)	N/A	

*(See Warranty Document for Specific Details)

Dimensions/Specifications are Subject to Change Without Notice

Jacuzzi J-245

Operation/Seat Depths



Group A Jets are always on when Pump 1 is running.

Group B Jets are always on when Pump 2 is running.

Air Control 1:
Opens/Closes
Air Inlet to Jet
Group A

Air Control 2:
Opens/Closes
Air Inlet to Jet
Group B

37 Total Jets



SL Jets (10)



SLR Jets (8)



SL3 Jets (10)



SL3R Jets (8)



SL5R Jet (1)

Spa Operation Subject to Change without Notice

Seat Depths

A = 25.88" (65.72 cm)

G = 23.38" (59.37 cm)

B = 20.63" (52.39 cm)

H = 17.13" (43.50 cm)

C = 26.75" (67.95 cm)

I = 30.00" (76.20 cm)

D = 21.63" (54.93 cm)

Listed dimensions represent distance from top of acrylic to lowest point in seat. Tolerance $\pm 0.5"$ (1.27 cm).

E = 24.63" (62.55 cm)

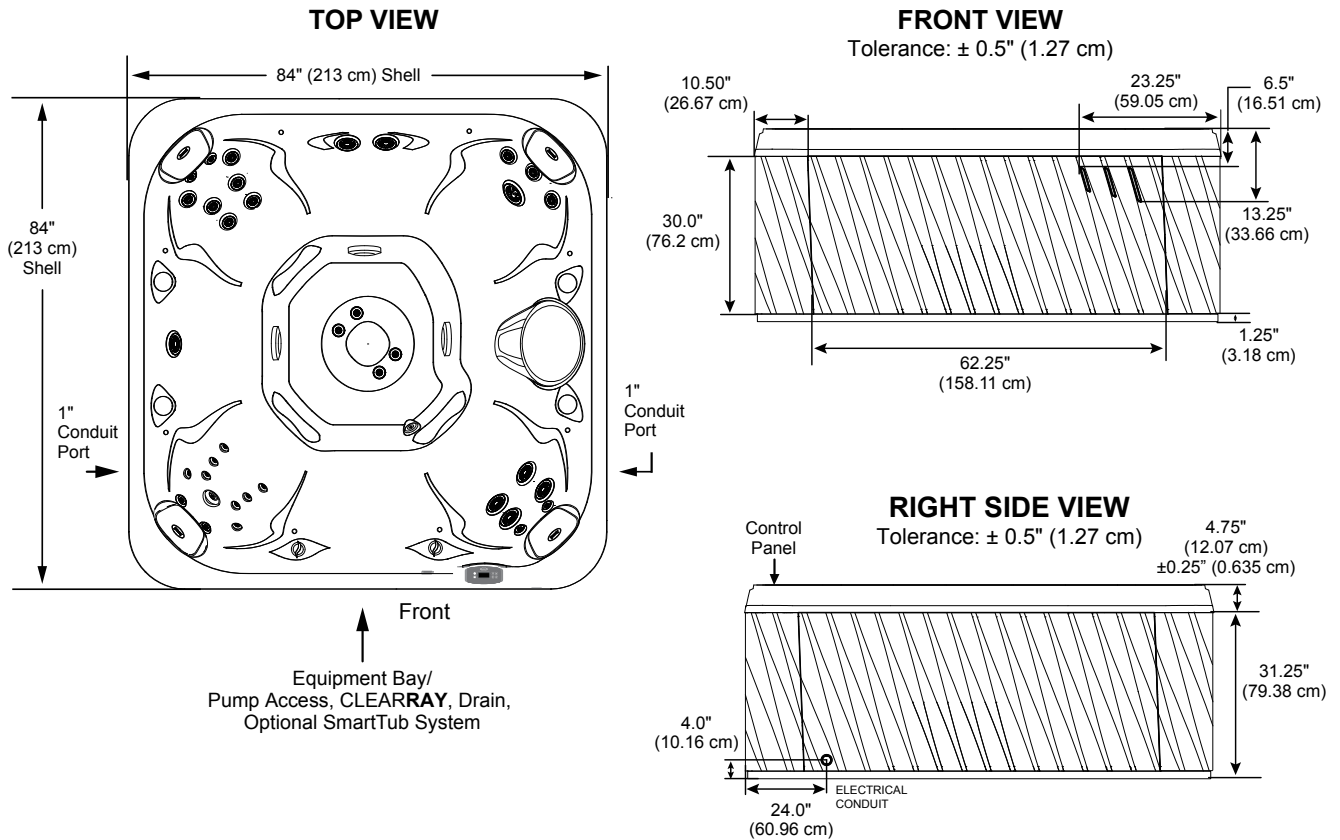
F = 18.25" (46.36 cm)



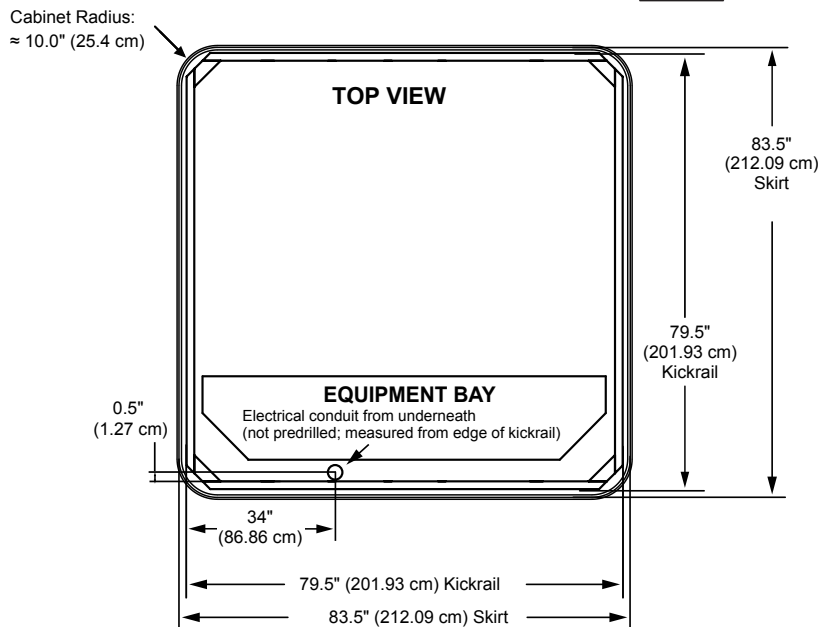
Dimensions/Specifications are Subject to Change Without Notice

Jacuzzi J-245

Dimensions



IMPORTANT! Always measure each hot tub for exact dimensions BEFORE designing its foundational support and/or decking.




Dimensions/specifications subject to change without notice. Tolerance: $\pm 0.5"$ (1.27 cm)

Dimensions/specifications subject to change without notice. Tolerance $\pm 0.5"$ (1.27 cm)

Jacuzzi J-235

Specifications

Seating Capacity	6 Adults	
Dimensions	84" x 84" x 36" (213 cm x 213 cm x 91 cm); For Complete Dimensions, See page 82	
Perimeter	336 in. (853.4 cm)	
Dry Weight	726 lbs (329 kg)	
Filled Weight (Spa Volume)	4,229 lbs (1,918 kg)	
Filled Weight (Average Fill)	3,270 lbs (1,483 kg)	
Water Capacity (Spa Volume) ...	420 US gallons (1,590 Liters)	
Water Capacity (Average Fill) ...	305 US gallons (1,155 Liters)	
Electronic Controls	Solid state electronic controls with LED readout, programmable temperature, filtration, and heat cycles	
Pump 1	North America (60 Hz): 2-Speed, 4.5 HP brake, 2.5 HP continuous, 56 Frame Export (50 Hz): 2-Speed, 2.0 HP continuous	
Pump 2	North America (60 Hz): 1-Speed, 4.8 HP brake, 2.5 HP continuous, 56 Frame Export (50 Hz): 1-Speed, 2.0 HP continuous	
Circulation Pump	No	
Total Jets	34	
Seat A Jets	4 SL3R Rotational, 2 SL5R Rotational	
Seat B Jets	2 SL3R Rotational	
Seat C Jets	2 SLR Rotational, 2 SL Directional, 8 SL3 Directional	
Seat D Jet	1 SL3R Rotational	
Seat E Jets	2 SLR Rotational, 8 SL Directional, 1 SL3 Directional	
Footwell (G)	2 SL3 Directional	
Massage Selectors	None	
Air Controls	2	
Water Management System	One 50 ft ² filter cartridge on jets pump 1, Factory installed CLEARARRAY® unit Export (50 Hz): Factory installed CLEARARRAY® unit	
LED Lighting	LED Lighting System (Interior Surround); Standard Exterior Light	
Cabinet Colors	Smoked, Charcoal	
Acrylic Colors	Platinum, Silver Pearl, Monaco, Midnight, Porcelain	
Headrests	3	
Heater:	North America (60 Hz): 5.5 kW, High Flow Export (50 Hz): High Flow, 2.7 kW	
Electrical Requirements:	North America (60 Hz): 240 VAC@40A, 50A or 60A Export (50 Hz): 220-240 VAC@1x16A, 1x32A or 2 out of 3-phase (see manual) or suitably rated circuit breaker to comply with local electrical codes. Certain countries may require dual power inputs; two GFCI RCD breakers are required for this configuration.	
Warranty*	North America (60 Hz): 5 Years Shell, 3 Years Shell Surface, 3 Years Plumbing Component Leaks, 3 Years Equipment and Controls; 1 Year Cabinet, 1 Year Jets Export (50 Hz): 5 Years Shell, 3 Years Shell Surface, 3 Years Plumbing Component Leaks, 3 Years Equipment and Controls, 1 Year Cabinet, 1 Year Jets	
Alternative Insulation (Standard):	Yes (Insulation Panels)	
Special Features (Optional)	Factory installed SmartTub® Module	
Audio System (Optional)	N/A	

*(See Warranty Document for Specific Details)

Dimensions/Specifications are Subject to Change Without Notice

Jacuzzi J-235

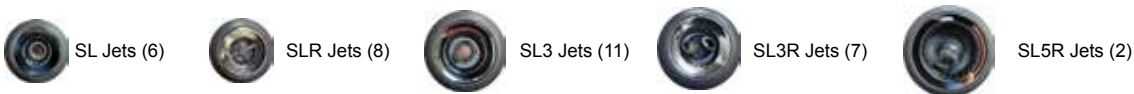
Operation/Seat Depths



Group A Jets are
always on when
Pump 1 is running.

Group B Jets are
always on when
Pump 2 is running.

34 Total Jets



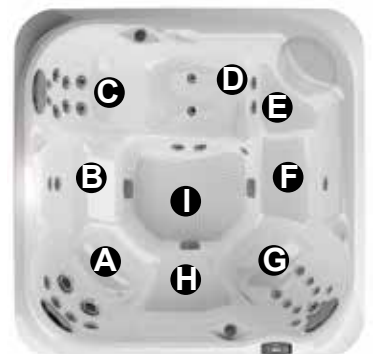
Spa Operation Subject to Change without Notice

Seat Depths

A = 23.25" (59.06 cm)
B = 20.75" (52.71 cm)
C = 24.88" (63.18 cm)
D = 25.50" (64.77 cm)
E = 17.50" (44.45 cm)
F = 21.50" (54.61 cm)

G = 25.63" (65.09 cm)
H = 17.00" (43.18 cm)
I = 30.00" (76.20 cm)

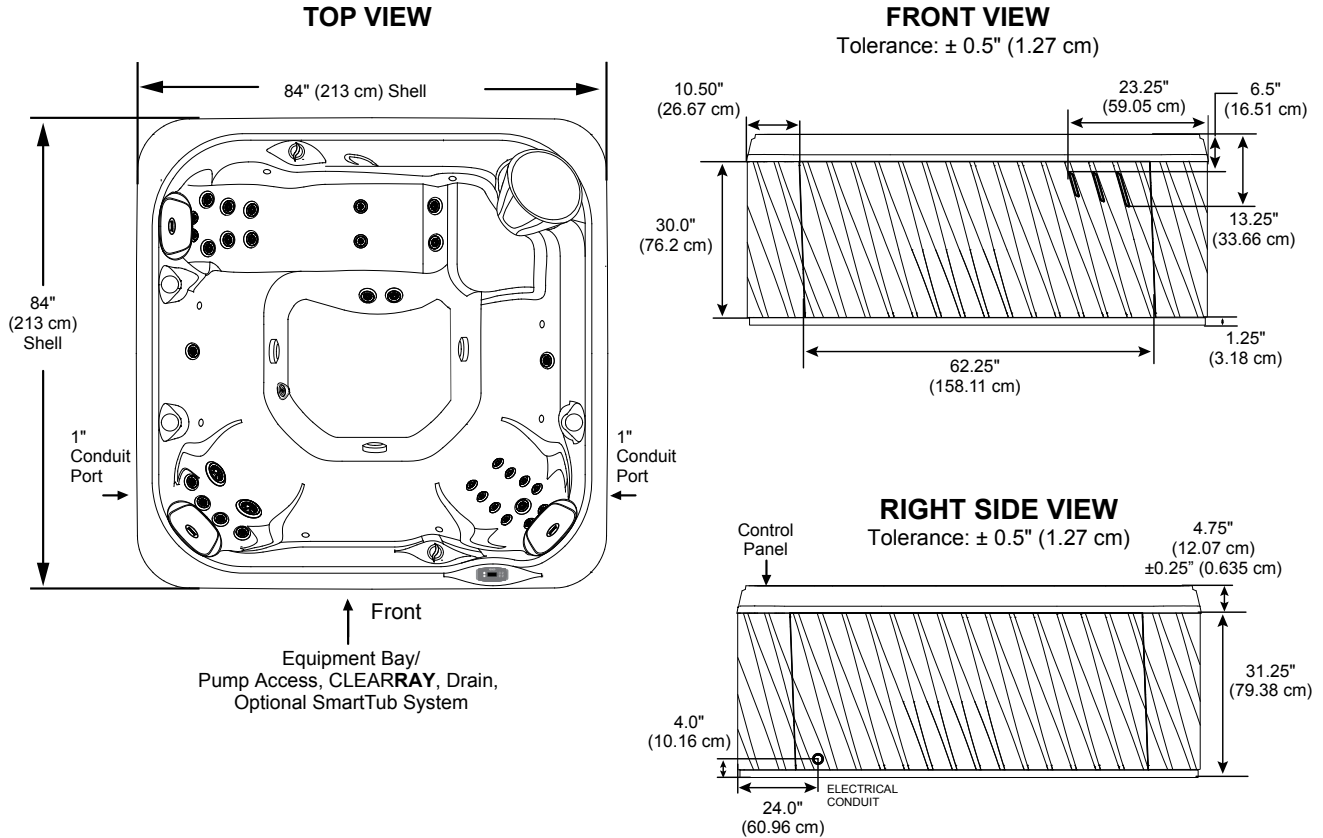
Listed dimensions
represent distance from
top of acrylic to lowest
point in seat. Tolerance
± 0.5" (1.27 cm).



Dimensions/Specifications are Subject to Change Without Notice

Jacuzzi J-235

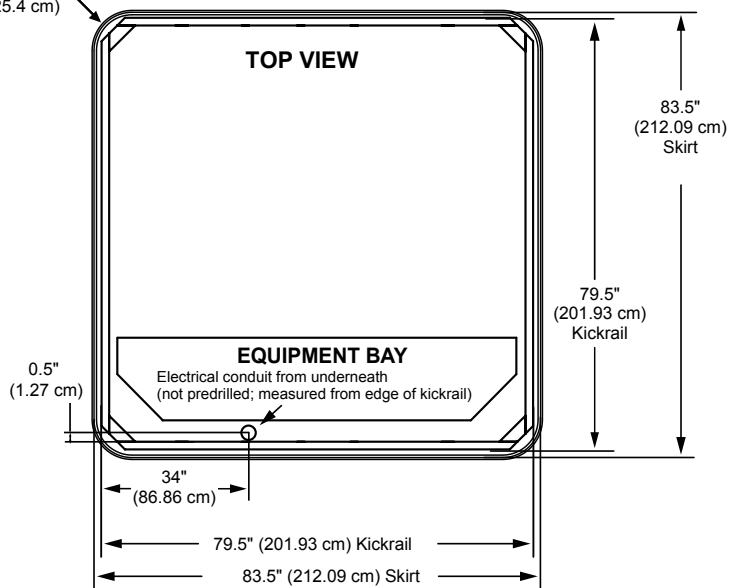
Dimensions



IMPORTANT! Always measure each hot tub for exact dimensions BEFORE designing its foundational support and/or decking.



Cabinet Radius:
 $\approx 10.0"$ (25.4 cm)

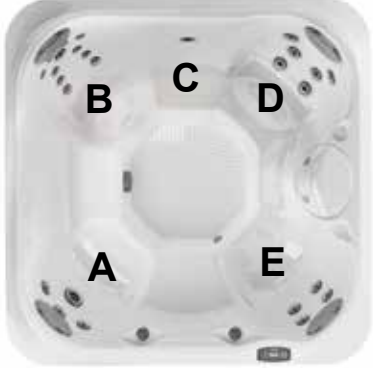


Dimensions/specifications subject to change without notice. Tolerance: $\pm 0.5"$ (1.27 cm)

Dimensions/specifications subject to change without notice. Tolerance $\pm 0.5"$ (1.27 cm)

Jacuzzi J-225

Specifications

Seating Capacity	4-5 Adults	
Dimensions	80" x 80" x 33" (203 cm x 203 cm x 84 cm); For Complete Dimensions, See page 82	
Perimeter	336 in. (853.4 cm)	
Dry Weight	619 lbs (281 kg)	
Filled Weight (Spa Volume)	3,805 lbs (1,726 kg)	
Filled Weight (Average Fill)	2,954 lbs (1,340 kg)	
Water Capacity (Spa Volume) ...	382 US gallons (1,446 Liters)	
Water Capacity (Average Fill) ...	280 US gallons (1,060 Liters)	
Electronic Controls	Solid state electronic controls with LED readout, programmable temperature, filtration, and heat cycles	
Pump 1	North America (60 Hz): 2-Speed, 2.5 HP brake, 1.5 HP continuous, 48 Frame Export (50 Hz): 2-Speed, 2.0 HP continuous	
Circulation Pump	No	
Total Jets	26	
Seat A Jets	3 SL3 Directional, 1 SL5R Rotational	
Seat B Jets	1 SLR Rotational, 1 SL3 Directional, 8 SL Directional	
Seat C Jet	1 SL3R Rotational	
Seat D Jets	6 SL3 Directional	
Seat E Jets	4 SL3R Rotational	
Massage Selectors	None	
Air Controls	2	
Water Management System	One 50 ft ² filter cartridge on jets pump 1, Factory installed CLEARARRAY® unit Export (50 Hz): Factory installed CLEARARRAY® unit	
LED Lighting	LED Lighting System (Interior Surround); Standard Exterior Light	
Cabinet Colors	Smoked, Charcoal	
Acrylic Colors	Platinum, Silver Pearl, Monaco, Midnight, Porcelain	
Headrests	4	
Heater:	North America (60 Hz): 120V 1kW or 240V 4.0 kW, High Flow Export (50 Hz): High Flow, 2.7 kW	
Electrical Requirements:	North America (60 Hz): 120V@15A (GFCI cord) 240 VAC@30A or 40A Export (50 Hz): 220-240 VAC@1x16A, 1x32A or 2 out of 3-phase (see manual) or suitably rated circuit breaker to comply with local electrical codes. Certain countries may require dual power inputs; two GFCI RCD breakers are required for this configuration.	
Warranty*	North America (60 Hz): 5 Years Shell, 3 Years Shell Surface, 3 Years Plumbing Component Leaks, 3 Years Equipment and Controls; 1 Year Cabinet, 1 Year Jets Export (50 Hz): 5 Years Shell, 3 Years Shell Surface, 3 Years Plumbing Component Leaks, 3 Years Equipment and Controls, 1 Year Cabinet, 1 Year Jets	
Alternative Insulation (Standard):	Yes (Insulation Panels)	
Special Features (Optional)	Factory installed SmartTub® Module	
Audio System (Optional)	N/A	

*(See Warranty Document for Specific Details)

Dimensions/Specifications are Subject to Change Without Notice

Jacuzzi J-225

Operation/Seat Depths



Jets are always on when the Jets Pump 1 is running.

Air Control 1:
Opens/Closes
Air Inlet to Jet
Group A

Air Control 2:
Opens/Closes
Air Inlet to Jet
Group B

26 Total Jets



SL Jets (8)



SLR Jets (2)



SL3 Jets (10)



SL3R Jets (5)



SL5R Jets (1)

Spa Operation Subject to Change without Notice

Seat Depths

A = 23.50" (59.69 cm)

B = 21.00" (53.34 cm)

C = 27.25" (69.22 cm)

D = 21.88" (55.56 cm)

E = 23.88" (60.64 cm)

F = 21.50" (54.61 cm)

G = 26.00" (66.04 cm)

H = 17.50" (44.45 cm)

I = 28.00" (71.12 cm)

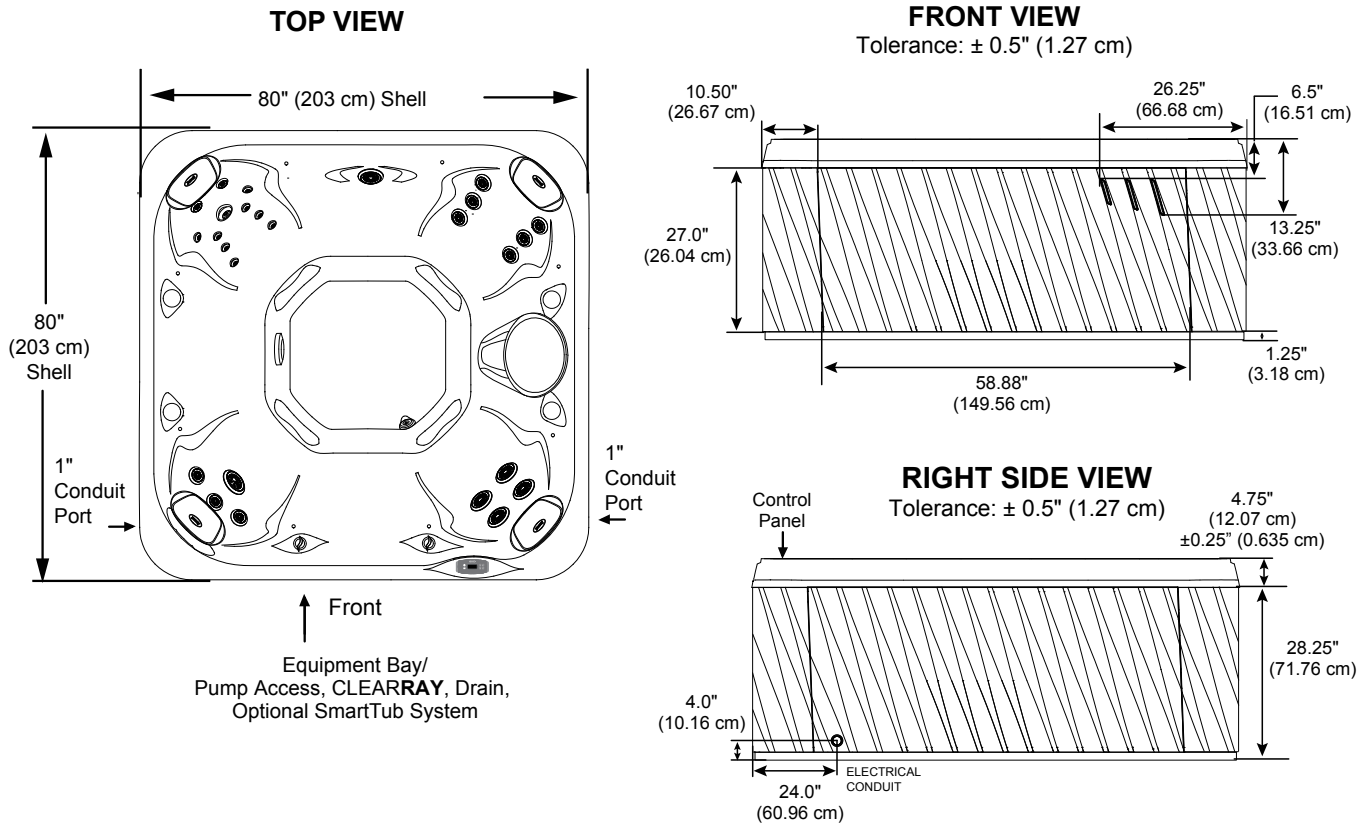
Listed dimensions represent distance from top of acrylic to lowest point in seat. Tolerance $\pm 0.5"$ (1.27 cm).



Dimensions/Specifications are Subject to Change Without Notice

Jacuzzi J-225

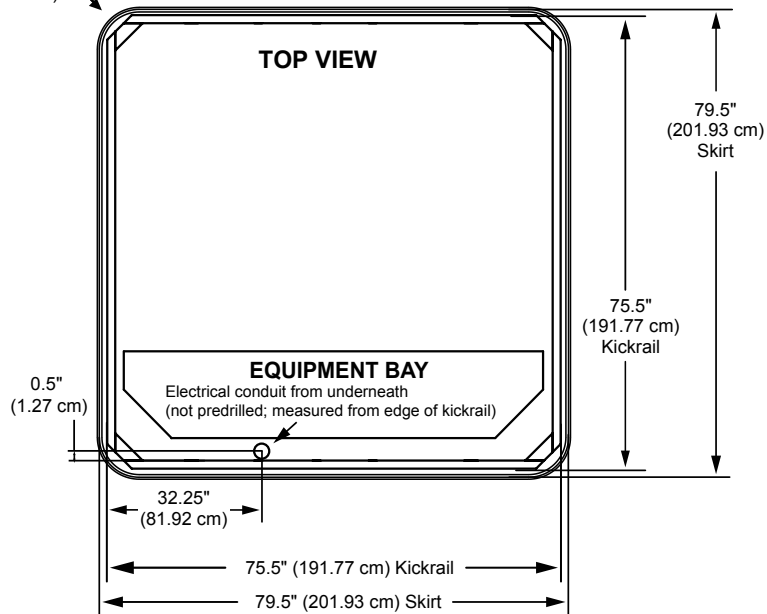
Dimensions



IMPORTANT! Always measure each hot tub for exact dimensions BEFORE designing its foundational support and/or decking.



Cabinet Radius:
 $\approx 10.0"$ (25.4 cm)

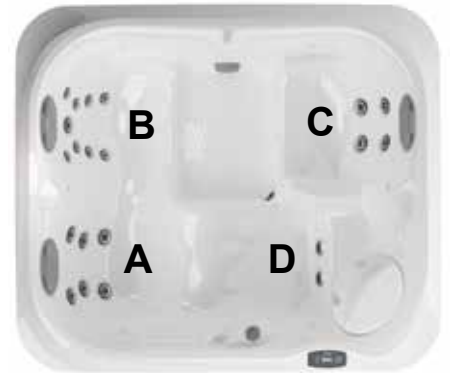


Dimensions/specifications subject to change without notice. Tolerance $\pm 0.5"$ (1.27 cm)

Jacuzzi J-215

Specifications

Seating Capacity	2-3 Adults
Dimensions	69" x 80" x 33" (175 cm x 203 cm x 84 cm); For Complete Dimensions, See page 82
Dry Weight	517 lbs (235 kg)
Filled Weight (Spa Volume)	2,936 lbs (1,332 kg)
Filled Weight (Average Fill)	2,251 lbs (1,021 kg)
Water Capacity (Spa Volume) ...	290 US gallons (1,098 Liters)
Water Capacity (Average Fill) ...	205 US gallons (776 Liters)
Electronic Controls	Solid state electronic controls with LED readout, programmable temperature, filtration, and heat cycles
Pump 1	North America (60 Hz): 2-Speed, 2.5 HP brake, 1.5 HP continuous, 48 Frame
Export (50 Hz):	2-Speed, 2.0 HP continuous on the completes
Circulation Pump	No
Total Jets	21
Seat A Jets	6 SLR Rotational
Seat B Jets	1 SLR Rotational, 8 SL Directional
Seat C Jets	4 SL3R Rotational
Footwell (D) Jets	2 SLR Rotational
Massage Selectors	None
Air Controls	1
Water Management System	One 50 ft ² filter cartridge on jets pump 1, Factory installed CLEARRAY® unit
Export (50 Hz):	Factory installed CLEARRAY® unit
LED Lighting	LED Lighting System (Interior Surround); Standard Exterior Light
Cabinet Colors	Smoked, Charcoal
Acrylic Colors	Platinum, Silver Pearl, Monaco, Midnight, Porcelain
Headrests	3
Heater:	North America (60 Hz): 120V 1kW or 240V 4.0 kW, High Flow
Export (50 Hz):	High Flow, 2.7 kW
Electrical Requirements:	North America (60 Hz): 120V@15A (GFCI cord) 240 VAC@30A or 40A Export (50 Hz): 220-240 VAC@1x16A, 1x32A or 2 out of 3-phase (see manual) or suitably rated circuit breaker to comply with local electrical codes. Certain countries may require dual power inputs; two GFCI RCD breakers are required for this configuration.
Warranty*	North America (60 Hz): 5 Years Shell, 3 Years Shell Surface, 3 Years Plumbing Component Leaks, 3 Years Equipment and Controls; 1 Year Cabinet, 1 Year Jets Export (50 Hz): 5 Years Shell, 3 Years Shell Surface, 3 Years Plumbing Component Leaks, 3 Years Equipment and Controls, 1 Year Cabinet, 1 Year Jets
Alternative Insulation (Standard):	Yes (Insulation Panels)
Special Features (Optional)	Factory installed SmartTub® Module
Audio System (Optional)	N/A



*(See Warranty Document for Specific Details)

Dimensions/Specifications are Subject to Change Without Notice

Jacuzzi J-215

Operation/Seat Depths



Air Control 1:
Opens/Closes
Air Inlet to Jets A

Jets are always on
when the Jets Pump 1
is running.

21 Total Jets



SL Jets (8)



SLR Jets (9)



SL3R Jets (4)

Spa Operation Subject to Change without Notice

Seat Depths

A = 25.13" (63.82 cm)

D = 18.00" (45.72 cm)

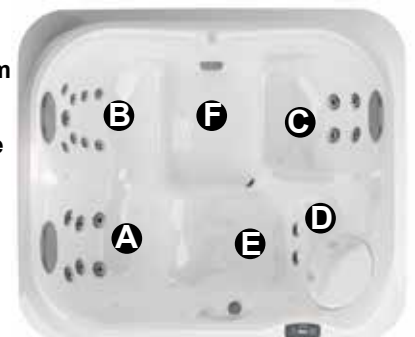
B = 26.00" (66.04 cm)

E = 25.75" (65.41 cm)

C = 23.50" (59.69 cm)

F = 27.63" (70.17 cm)

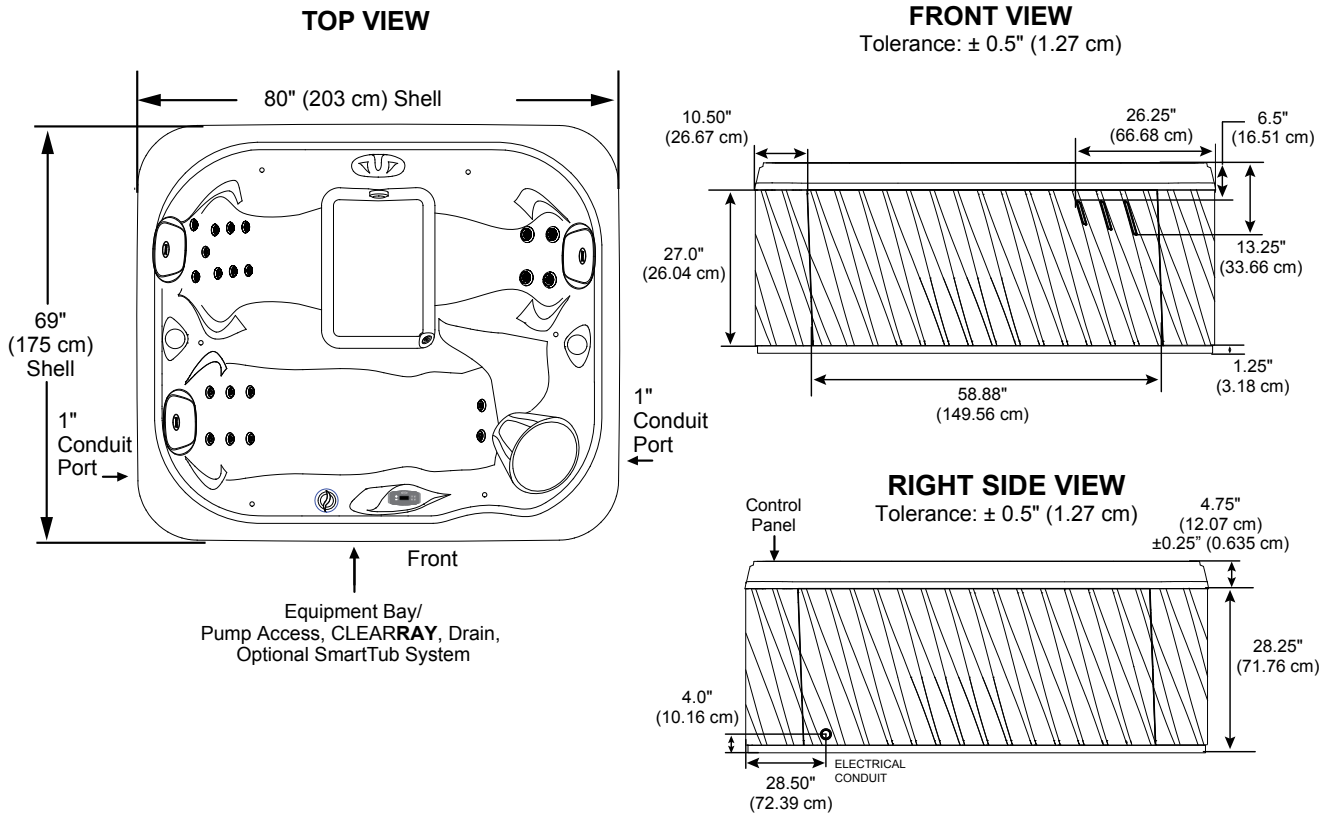
Listed dimensions
represent distance from
top of acrylic to lowest
point in seat. Tolerance
 $\pm 0.5"$ (1.27 cm).



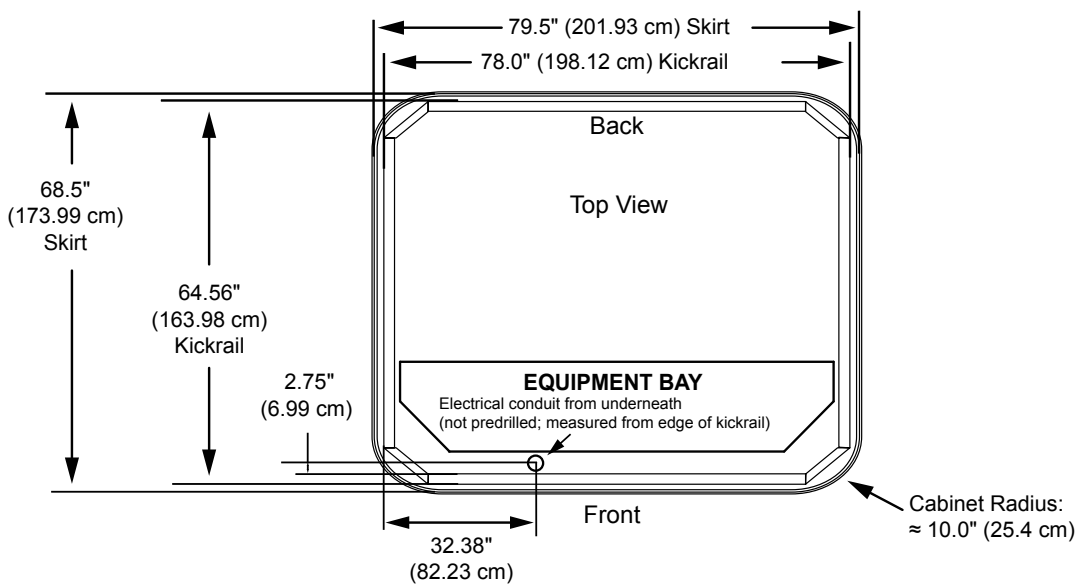
Dimensions/Specifications are Subject to Change Without Notice

Jacuzzi J-215

Dimensions



IMPORTANT! Always measure each hot tub for exact dimensions BEFORE designing its foundational support and/or decking.



Dimensions/specifications subject to change without notice. Tolerance: $\pm 0.5"$ (1.27 cm)

Dimensions/specifications subject to change without notice. Tolerance $\pm 0.5"$ (1.27 cm)

Soul 30™ Jets

Specifications

Seating Capacity	6 Adults
Dimensions	78" x 78" x 36" (198 cm x 198 cm x 91 cm);
Perimeter	312 in. (792.5 cm)
Filled Weight (Spa Volume)	3,864 lbs (1,753 kg)
Filled Weight (Average Fill)	2,971 lbs (1,348 kg)
Water Capacity (Spa Volume) ...	417 US gallons (1,579 Liters)
Water Capacity (Average Fill) ...	310 US gallons (1,173 Liters)
Electronic Controls	Digital Touch Controller. Offers customizing of cleaning cycles and water temperature setting.
Pump 1	North America (60 Hz): 2-Speed, 2.0 HPR
Export (50 Hz):	2 kW, 2-Speed
Pump 2	N/A
Export (50 Hz):	N/A
Circulation Pump	N/A
Total Jets	30
Seat A Jets	6 DirectionalMax1, 6 DirectionalMax2
Seat B Jets	1 DirectionalMax1
Seat C Jets	6 DirectionalMax2
Seat D Jets	2 DirectionalMax1
Seat E Jets	4 DirectionalMax1, 2 DirectionalMax2
Seat F Jets	1 DirectionalMax1
Footwell (G)	2 DirectionalMax1
Massage Selectors	N/A
Air Controls	2
Water Management System	One Easy Kleen 30 ft ² filter cartridge; Optional factory installed Ozone
Export (50 Hz):	Optional factory installed Ozone
LED Lighting	Multicolor Waterfall light; Footwell light, Exterior corner lights (8 qty)
Shell/Cabinet Colors	Mystic Sparkle, Tuscan Sparkle, Night Sparkle, Glacier Sparkle
Headrests	3
Waterfalls	One with independent flow rate (on or off) adjustment; powered by pump 1
Heater:	Hi Flow 1.0kW/4kW
Export (50 Hz):	Hi Flow 3.0kW
Electrical Requirements:	North America (60 Hz): Convertible 120 VAC@15A or 240 VAC@30A, 40A
	Export (50 Hz): 220-240V@1x16A, 1X32A
Warranty*	North America (60 Hz): 5 Years Shell, 1 Year Plumbing Components, 1 Year Electrical Components, 1 Year Insulating Cover, 1 Year Labor;
	Export (50 Hz): 5 Years Shell, 2 Years Plumbing Components, 2 Years Electrical Components, 2 Years Insulating Cover, 2 Years Labor;
Special Features	Optional Suite Package Add-On

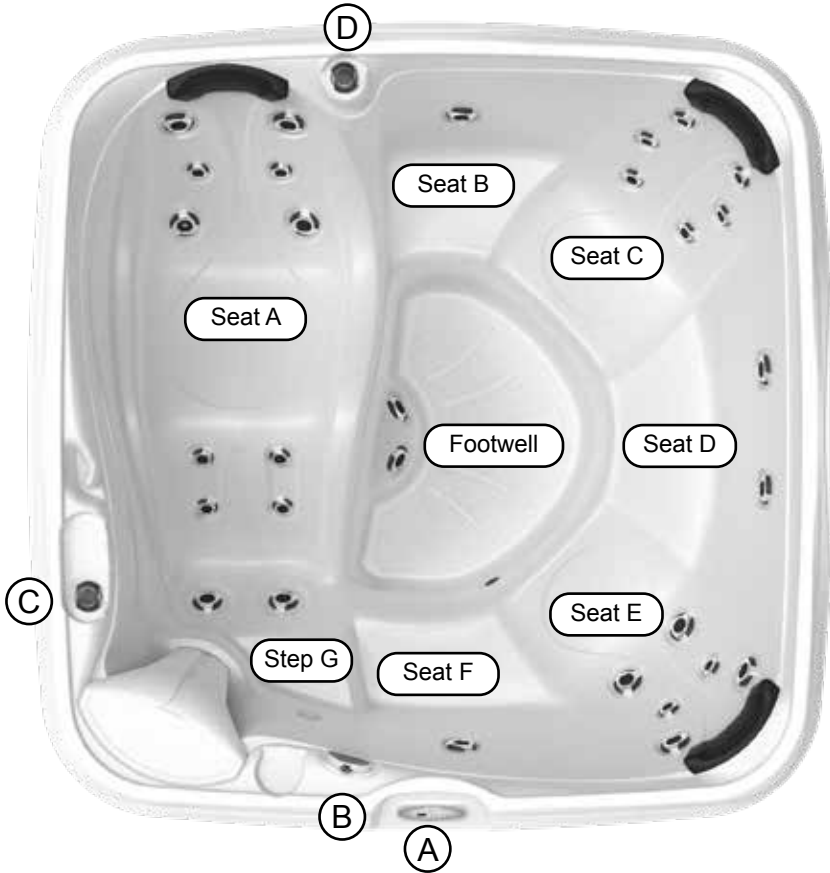


*(See Warranty Document for Specific Details)

Dimensions/Specifications are Subject to Change Without Notice

Soul 30 Jets

Operation/Seat Depths



- Ⓐ Topside Control - Activate Jet Pump, Light and Control Water Temperature
 - Ⓑ Water Feature Control - Controls Water Feature Output.
 - Ⓒ Air Control - Activates Seat A Jets (6 DirectionalMax1 Jets, 6 DirectionalMax2 Jets)
 - Ⓓ Air Control - Activates Seat B Jets (1 DirectionalMax1 Jet), Seat C Jets (6 DirectionalMax2 Jets), Seat D Jets (2 DirectionalMax1 Jets), Seat E Jets (4 DirectionalMax1 Jets, 2 DirectionalMax2 Jets), Seat F Jets (1 DirectionalMax1 Jet), Footwell Jets (2 DirectionalMax1 Jets)
- Jet Pump 1: All seats and footwell jets

30 Total Jets

DirectionalMax1
Jets (16)

DirectionalMax2
Jets (14)



Spa Operation Subject to Change without Notice

- A = 25.75" (65.40 cm)
- B = 24.50" (62.23 cm)
- C = 28.00" (71.12 cm)
- D = 24.75" (62.86 cm)
- E = 26.50" (67.30 cm)
- F = 23.25" (59.06 cm)
- G = 19.00" (48.26 cm)
- H = 34.50" (87.63 cm)

Seat Depths

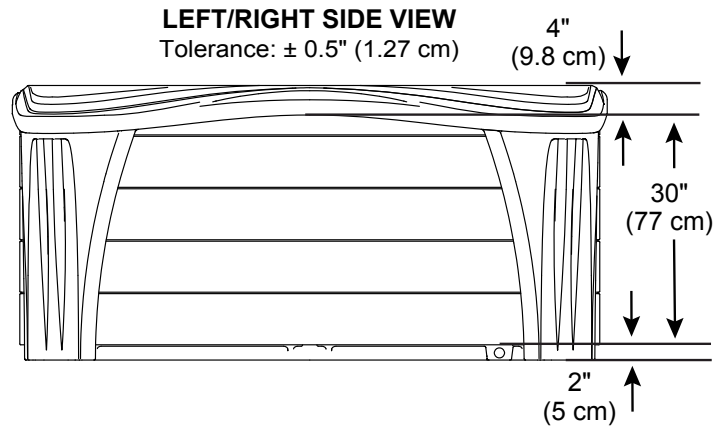
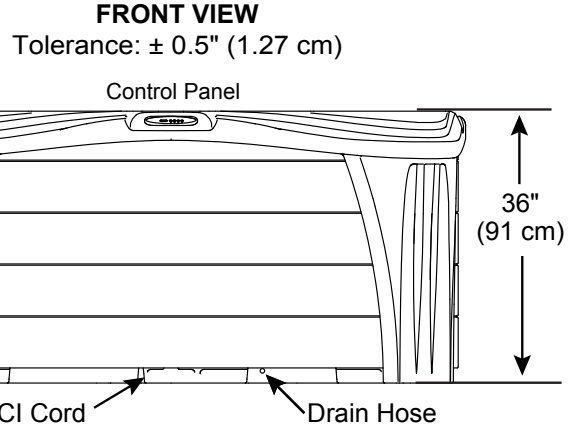
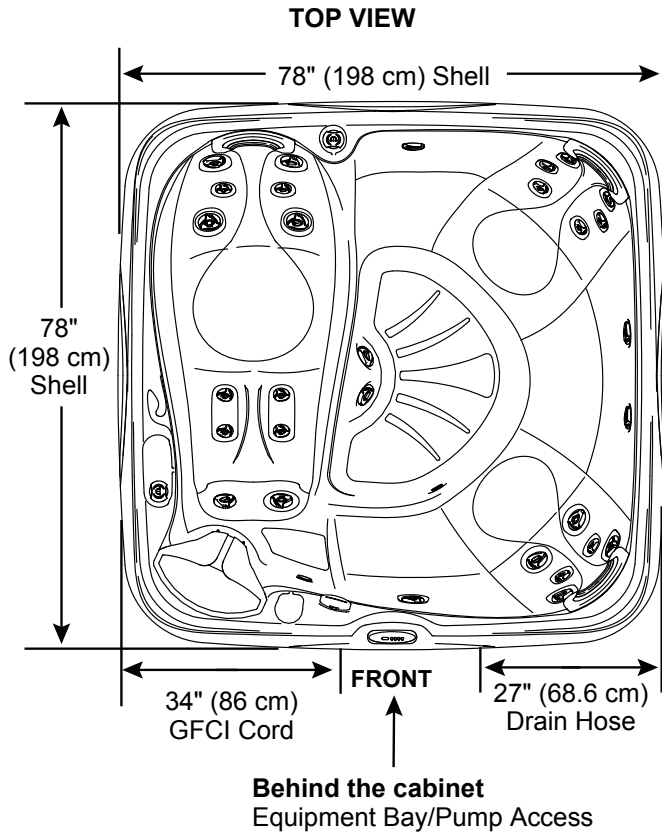
Listed dimensions represent distance from top of spa to lowest point in seat.
Tolerance: ± 0.5" (1.27 cm)



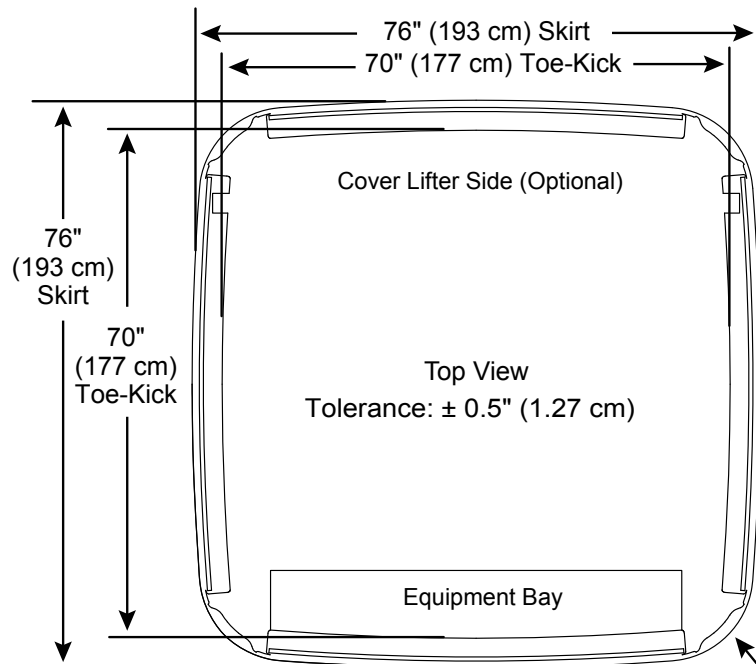
Dimensions/Specifications are Subject to Change Without Notice

Soul 30 Jets

Dimensions



IMPORTANT! Always measure each hot tub for exact dimensions BEFORE designing its foundational support and/or decking.

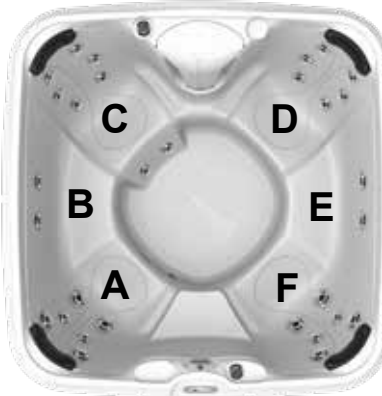


4 x $\approx R12.0"$
($\approx R30.5$ cm) Shell

Dimensions/specifications subject to change without notice. Tolerance $\pm 0.5"$ (1.27 cm)

Echo 30™ Jets

Specifications

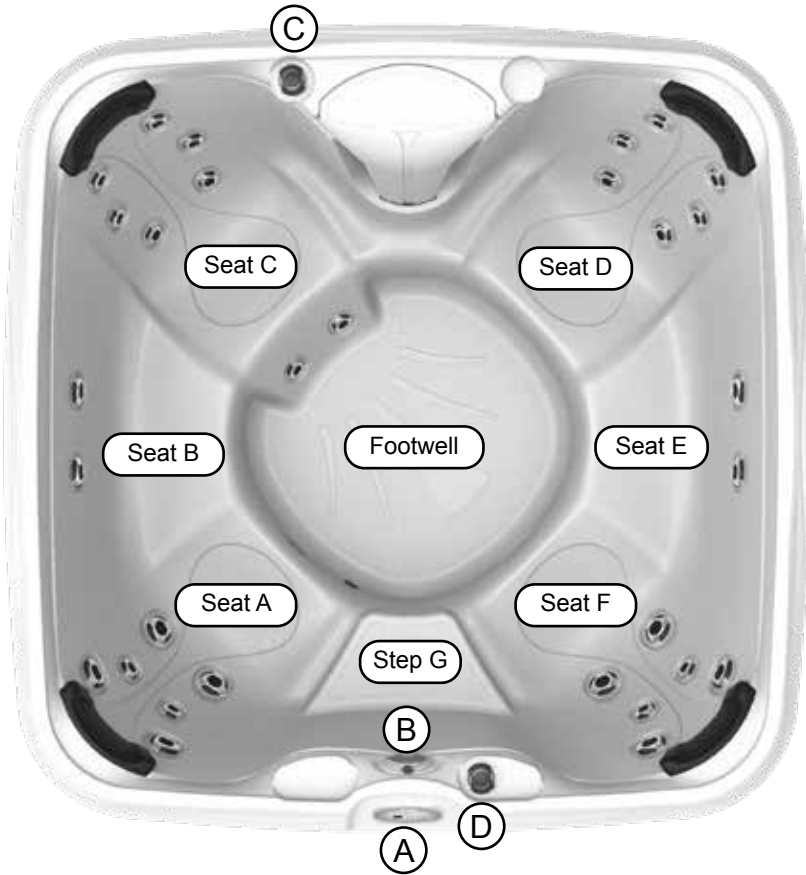
Seating Capacity	7 Adults	
Dimensions	78" x 78" x 36" (198 cm x 198 cm x 91 cm);	
Perimeter	312 in. (714.7 cm)	
Dry Weight	414 lbs (187 kg)	
Filled Weight (Spa Volume)	4,117 lbs (1,867 kg)	
Filled Weight (Average Fill)	3,150 lbs (1,429 kg)	
Water Capacity (Spa Volume) ...	444 US gallons (1,681 Liters)	
Water Capacity (Average Fill) ...	328 US gallons (1,242 Liters)	
Electronic Controls	Digital Touch Controller. Offers customizing of cleaning cycles and water temperature setting.	
Pump 1	North America (60 Hz): 2-Speed, 2.0 HPR	
Export (50 Hz):	2 kW, 2-Speed	
Pump 2	N/A	
Export (50 Hz):	N/A	
Circulation Pump	N/A	
Total Jets	30	
Seat A Jets	4 DirectionalMax1 Jets, 2 DirectionalMax2 Jets	
Seat B Jets	2 DirectionalMax1 Jets	
Seat C Jets	8 DirectionalMax2 Jets	
Seat D Jets	6 DirectionalMax2 Jets	
Seat E Jets	2 DirectionalMax1 Jets	
Seat F Jets	4 DirectionalMax1 Jets, 2 DirectionalMax2 Jets	
Massage Selectors	N/A	
Air Controls	2	
Water Management System	One Easy Kleen 30 ft ² filter cartridge; Optional factory installed Ozone	
Export (50 Hz):	Optional factory installed Ozone	
LED Lighting	Multicolor waterfall light; Exterior corner light (white color only)	
Shell/Cabinet Colors	Mystic Sparkle, Tuscan Sparkle, Night Sparkle, Glacier Sparkle	
Headrests	4	
Waterfalls	One with independent flow rate (on or off) adjustment; powered by pump 1	
Heater:	Hi Flow 1.0kW/4kW	
Export (50 Hz):	Hi Flow 3.0kW	
Electrical Requirements:	North America (60 Hz): Convertible 120 VAC@15A	
	Export (50 Hz): 220-240V@1x16A, 1X32A	
Warranty*	North America (60 Hz): 5 Years Shell, 1 Year Plumbing Components, 1 Year Electrical Components, 1 Year Insulating Cover, 1 Year Labor;	
	Export (50 Hz): 5 Years Shell, 2 Years Plumbing Components, 2 Years Electrical Components, 2 Years Insulating Cover, 2 Years Labor;	
Special Features	N/A	

*(See Warranty Document for Specific Details)

Dimensions/Specifications are Subject to Change Without Notice

Echo 30 Jets

Operation/Seat Depths



- Ⓐ Topside Control - Activate Jet Pump, Light and Control Water Temperature
 - Ⓑ Water Feature Control - Controls Water Feature Output.
 - Ⓒ Air Control - Activates Seat A Jets (4 DirectionalMax1 Jets, 2 DirectionalMax2 Jets), Seat B Jets (2 DirectionalMax1 Jets), Seat C Jets (8 DirectionalMax2 Jets)
 - Ⓓ Air Control - Activates Seat D Jets (6 DirectionalMax2 Jets), Seat E Jets (2 DirectionalMax1 Jets), Seat F Jets (4 DirectionalMax1 Jets, 2 DirectionalMax2 Jets)
- Jet Pump 1: All seats and footwell jets

30 Total Jets

DirectionalMax1
Jets (12)

DirectionalMax2
Jets (18)



Spa Operation Subject to Change without Notice

- A = 26.50" (67.30 cm)
- B = 24.75" (62.86 cm)
- C = 28.00" (71.12 cm)
- D = 28.00" (71.12 cm)
- E = 24.75" (62.86 cm)
- F = 26.50" (67.30 cm)
- G = 20.00" (50.80 cm)
- H = 34.50" (87.63 cm)

Seat Depths

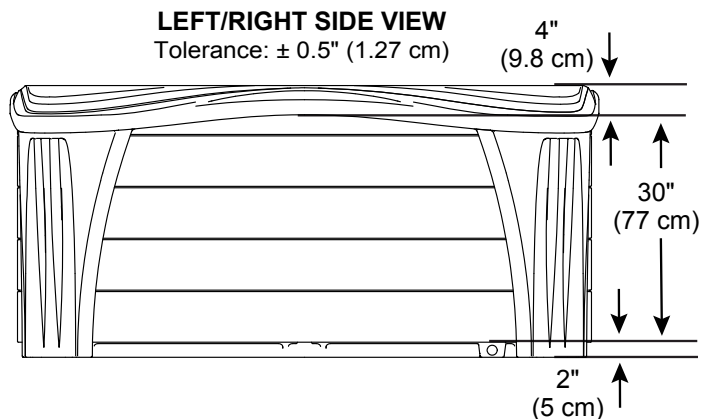
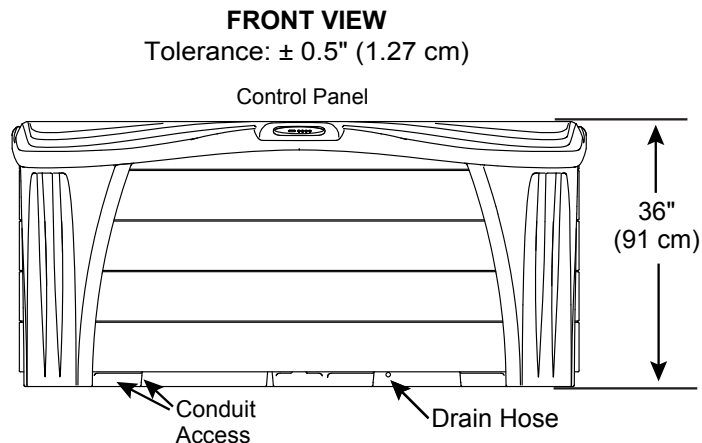
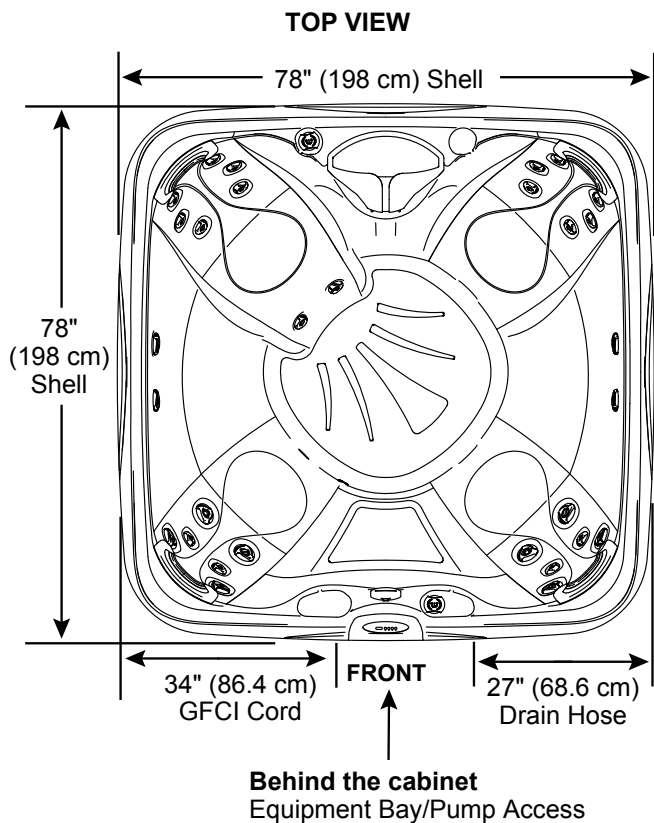
Listed dimensions represent distance from top of spa to lowest point in seat.
Tolerance: $\pm 0.5"$ (1.27 cm)



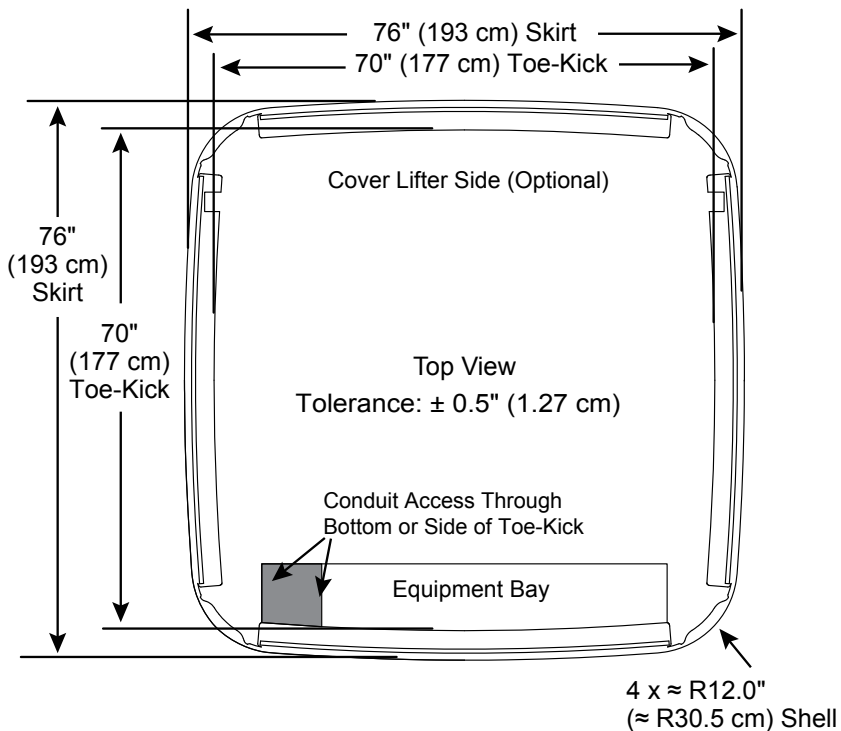
Dimensions/Specifications are Subject to Change Without Notice

Echo 30 Jets

Dimensions



IMPORTANT! Always measure each hot tub for exact dimensions BEFORE designing its foundational support and/or decking.



Dimensions/specifications subject to change without notice. Tolerance $\pm 0.5"$ (1.27 cm)

Mood 20™ Jets

Specifications

Seating Capacity.....	5 Adults
Dimensions	78" x 68" x 32" (198 cm x 173 cm x 81 cm);
Perimeter.....	292 in. (741.7 cm)
Dry Weight.....	285 lbs (129 kg)
Filled Weight (Spa Volume)	3,120 lbs (1,415 kg)
Filled Weight (Average Fill).....	2,404 lbs (1,090 kg)
Water Capacity (Spa Volume) ...	340 US gallons (1,287 Liters)
Water Capacity (Average Fill) ...	254 US gallons (961 Liters)
Electronic Controls	Digital Touch Controller. Offers customizing of cleaning cycles and water temperature setting.
Pump 1.....	North America (60 Hz): 2-Speed, 2.0 HPR
Export (50 Hz):	2-Speed, 1.5 HPR
Pump 2.....	N/A
Export (50 Hz):	N/A
Circulation Pump.....	N/A
Total Jets	20
Seat A Jets	1 DirectionalMax1, 1 DirectionalMax2
Seat B Jets	2 DirectionalMax1
Seat C Jets	1 DirectionalMax1, 1 DirectionalMax2
Seat D Jets	2 DirectionalMax1, 2 DirectionalMax2, 2 DirectMiniMax
Seat E Jets	2 DirectionalMax1, 2 DirectionalMax2, 2 DirectMiniMax
Footwell (F) Jets	2 DirectionalMax1
Massage Selectors	N/A
Air Controls.....	2
Water Management System.....	One Easy Kleen 30 ft ² filter cartridge; Optional factory installed Ozone
Export (50 Hz):	Optional factory installed Ozone
LED Lighting	Multicolor Waterfall light; Footwell light, Exterior corner lights (8 qty)
Shell/Cabinet Colors	Mystic Sparkle, Tuscan Sparkle, Night Sparkle, Glacier Sparkle
Headrests	2
Waterfalls	One with independent flow rate (on or off) adjustment; powered by pump 1
Heater:	Hi Flow 1.0kW/4kW
Export (50 Hz):	Hi Flow 3.0kW
Electrical Requirements:	North America (60 Hz): Convertible 120 VAC@15A or 240 VAC@30A, 40A
Export (50 Hz):	220-240V@1x16A, 1X32A
Warranty*.....	North America (60 Hz): 5 Years Shell, 1 Year Plumbing Components, 1 Year Electrical Components, 1 Year Insulating Cover, 1 Year Labor;
Export (50 Hz):	5 Years Shell, 2 Years Plumbing Components, 2 Years Electrical Components, 2 Years Insulating Cover, 2 Years Labor;
Special Features	Optional Suite Package Add-On

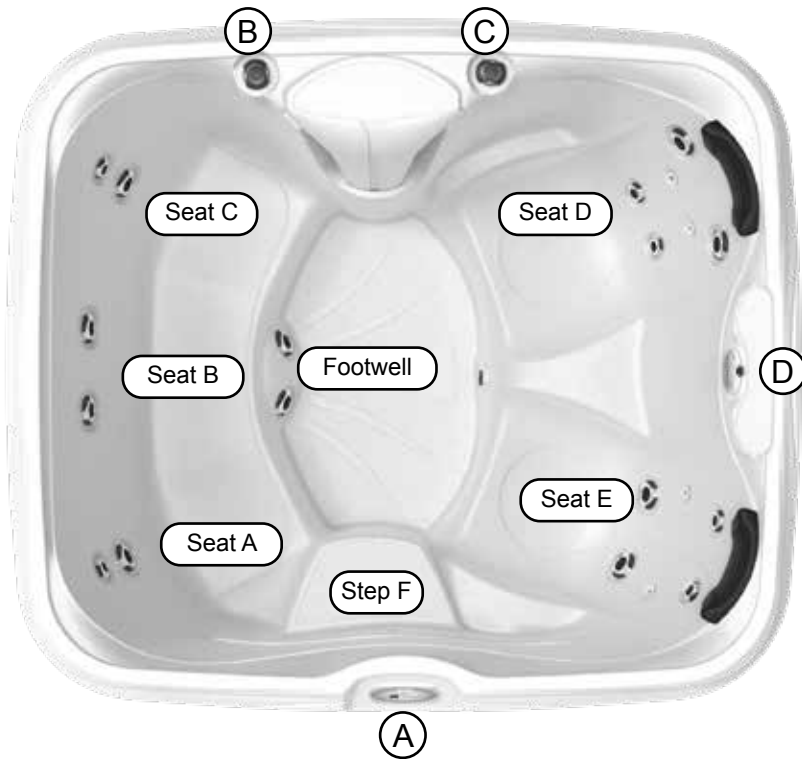


*(See Warranty Document for Specific Details)

Dimensions/Specifications are Subject to Change Without Notice

Mood 20 Jets

Operation/Seat Depths



- (A) Topside Control - Activate Jets Pump, Light and Control Water Temperature
- (B) Air Control - Activates Seat A Jets (1 DirectionalMax1 Jet, 1 DirectionalMax2 Jet), Seat B Jets (2 DirectionalMax1 Jets), Seat C Jets (1 DirectionalMax1 Jet, 1 DirectionalMax2 Jet), Footwell Jets (2 DirectionalMax2 Jets)
- (C) Air Control - Activates Seat D Jets (2 DirectionalMax1 Jets, 2 DirectionalMax2 Jets, 2 DirectMiniMax Jets), Seat E Jets (2 DirectionalMax1 Jets, 2 DirectionalMax2 Jets, 2 DirectMiniMax Jets)
- (D) Water Feature Control - Controls Water Feature Output.

- Jet Pump 1: All seats and footwell jets

20 Total Jets

DirectionalMax1
Jets (10)

DirectionalMax2
Jets (6)

DirectMiniMax
Jets (4)



Spa Operation Subject to Change without Notice

- A = 26.50" (67.31 cm)
- B = 26.25" (66.68 cm)
- C = 26.50" (67.31 cm)
- D = 26.25" (66.68 cm)
- E = 28.30" (71.87 cm)
- F = 18.00" (45.72 cm)
- G = 30.50" (77.47 cm)

Seat Depths

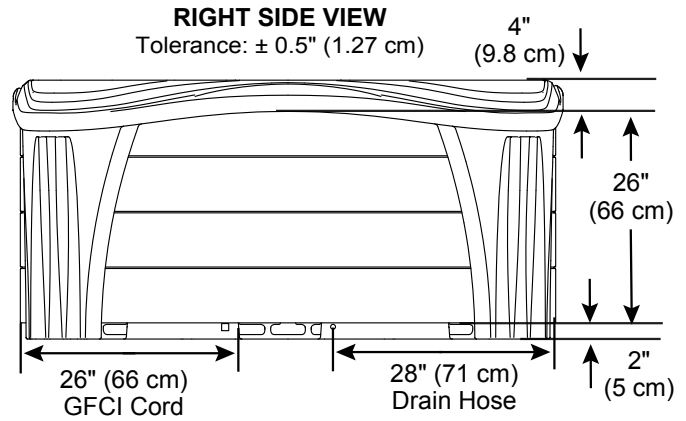
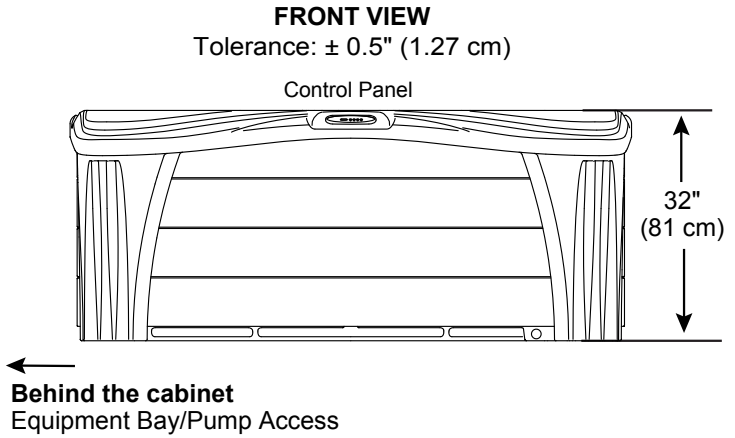
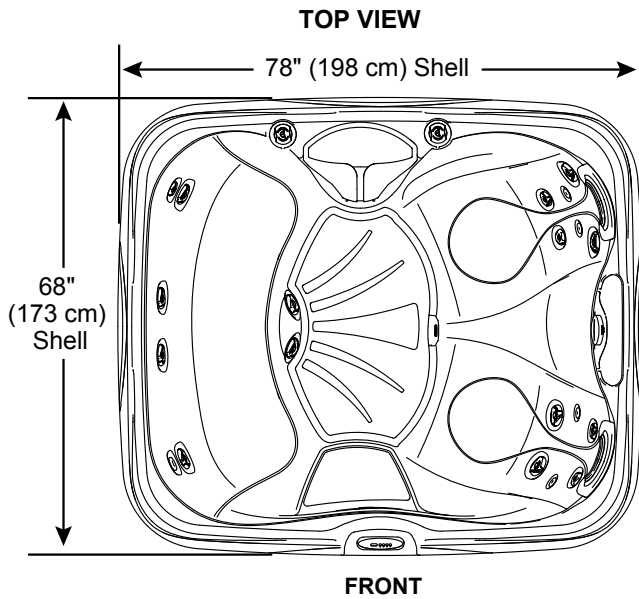
Listed dimensions represent distance from top of spa to lowest point in seat.
Tolerance: $\pm 0.5"$ (1.27 cm)



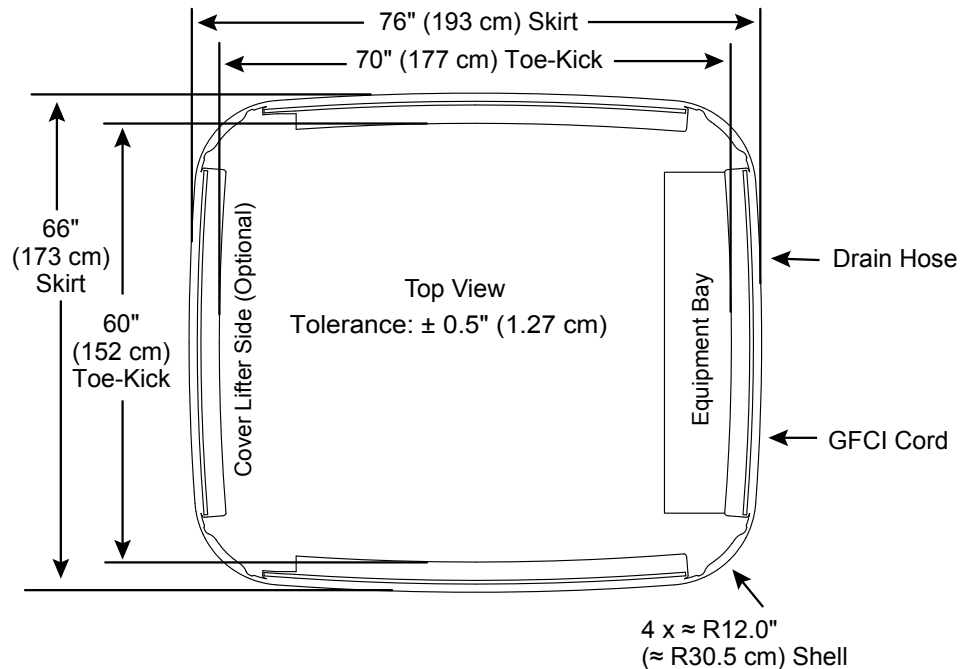
Dimensions/Specifications are Subject to Change Without Notice

Mood 20 Jets

Dimensions




IMPORTANT! Always measure each hot tub for exact dimensions BEFORE designing its foundational support and/or decking.

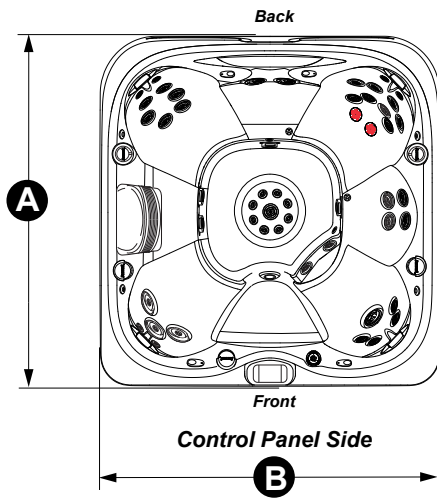


Dimensions/specifications subject to change without notice. Tolerance $\pm 0.5"$ (1.27 cm)

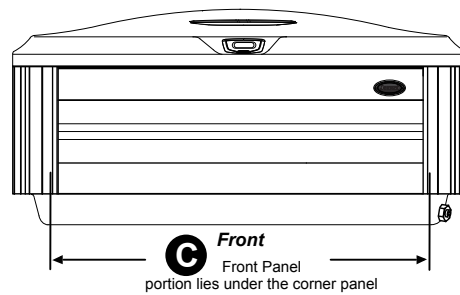
Complete Dimensions- J400 Collection Models

Spa Models	DIMENSIONS A-F (All measurements are an approximate ± .5")					
	A	B	C	D	E	F
J-495	110" (279.40 cm)	91" (231 cm)	74.56" (189.38 cm)	37.50" (95.25 cm)	43.50" (110.49 cm)	≈ 8.0" (20.32 cm)
J-485	91" (231 cm)					
J-475						
J-445	84" (213.5 cm)	84" (213.5 cm)	66.56" (169.06 cm)			
J-435						
Spa Models	DIMENSIONS G (All measurements are an approximate ± .5")			 <p>IMPORTANT! Always measure each hot tub for exact dimensions BEFORE designing its foundation support and/or decking.</p>		
	G	H (Drain)	CLEARRAY®			
J-495	≈ 15.0" (38.10 cm)	Front Right	Front Center			
J-485						
J-475						
J-445						
J-435						

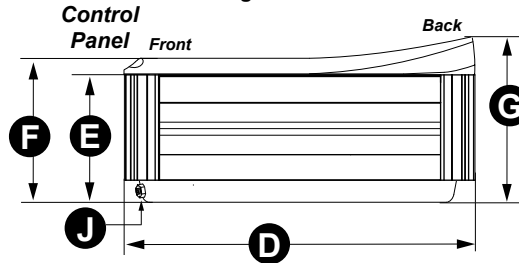
Spa Top View (J-485 Illustrated)



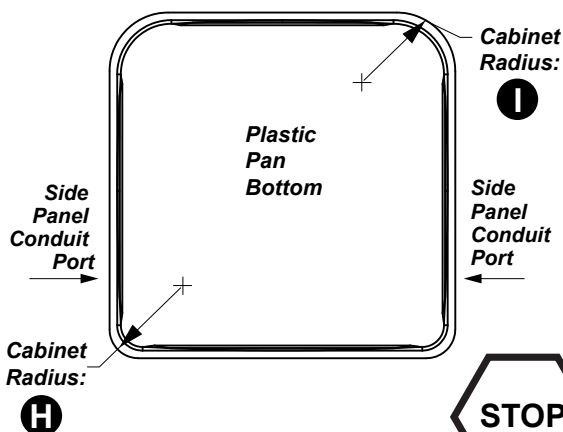
Control Panel Side View



**Side View (J-485 Illustrated)
Left/Right Side Panel**



Spa Bottom View (J-485 Illustrated)



Important Panel Details


NOTE: Over time the panel(s) may bow, this is considered normal. The panels will straighten out when reinstalled into the mounting channel. Place one end of the panel into the channel first then flatten the panel and insert the other end.



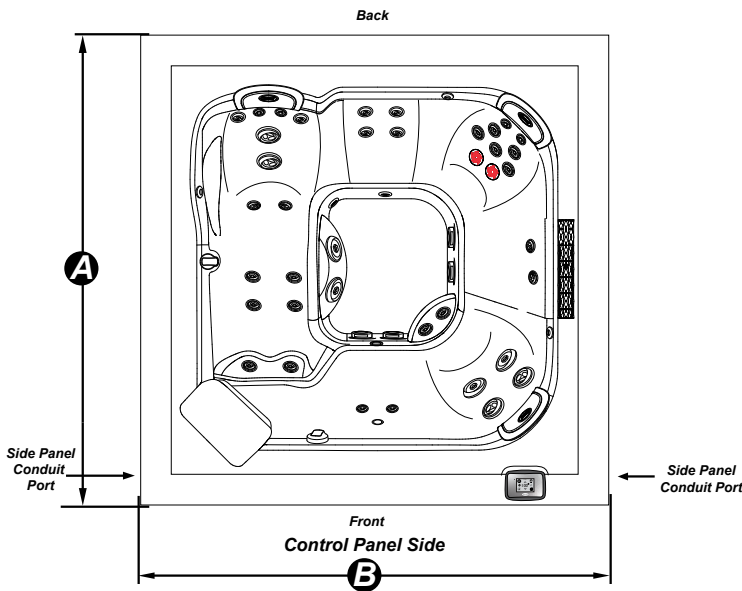
IMPORTANT! Always measure each hot tub for exact dimensions BEFORE designing its foundational support and/or decking.

Note: Gaps in underlying wood frame are for ventilation purposes; not for electrical hook-ups or other uses.

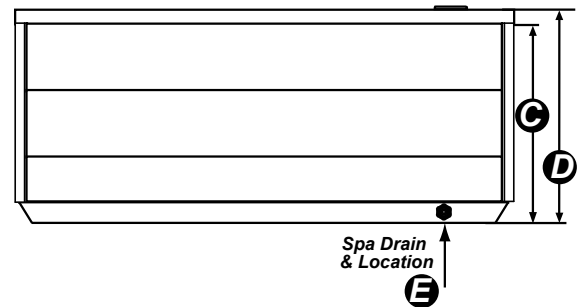
Complete Dimensions - J-LX Collection Models

Spa Models	DIMENSIONS A-F (All measurements are an approximate)					
	A	B	C	D	E	F
J-LXL	91" (231.0 cm)	91" (231.0 cm)	31.50" (80.0 cm)	34" (86.0 cm)	Front Right	84.25" (214.0 cm)
J-LX						
	DIMENSIONS G-J (All measurements are an approximate)					
	G					 <p>IMPORTANT! Always measure each hot tub for exact dimensions BEFORE designing its foundation support and/or decking.</p>
J-LXL	84.25" (214.0 cm)					
J-LX						
- Dimensions Subject to Change Without Notice -						

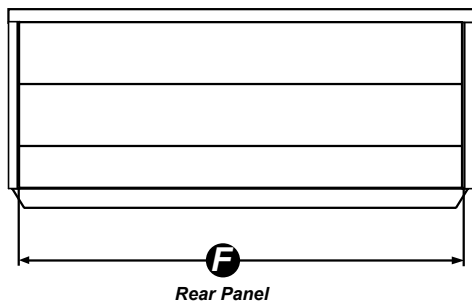
Spa Top View (J-LXL Illustrated)



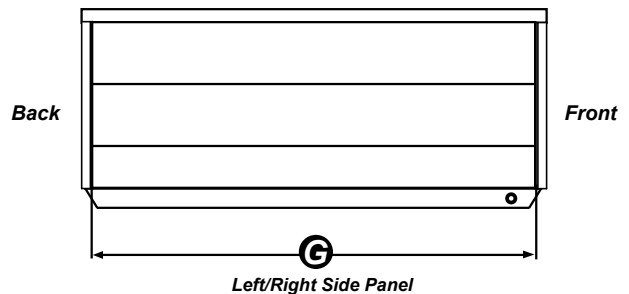
Control Panel Side View



Front/Rear Side View (All Models)




Left/Right Side View (All Models)

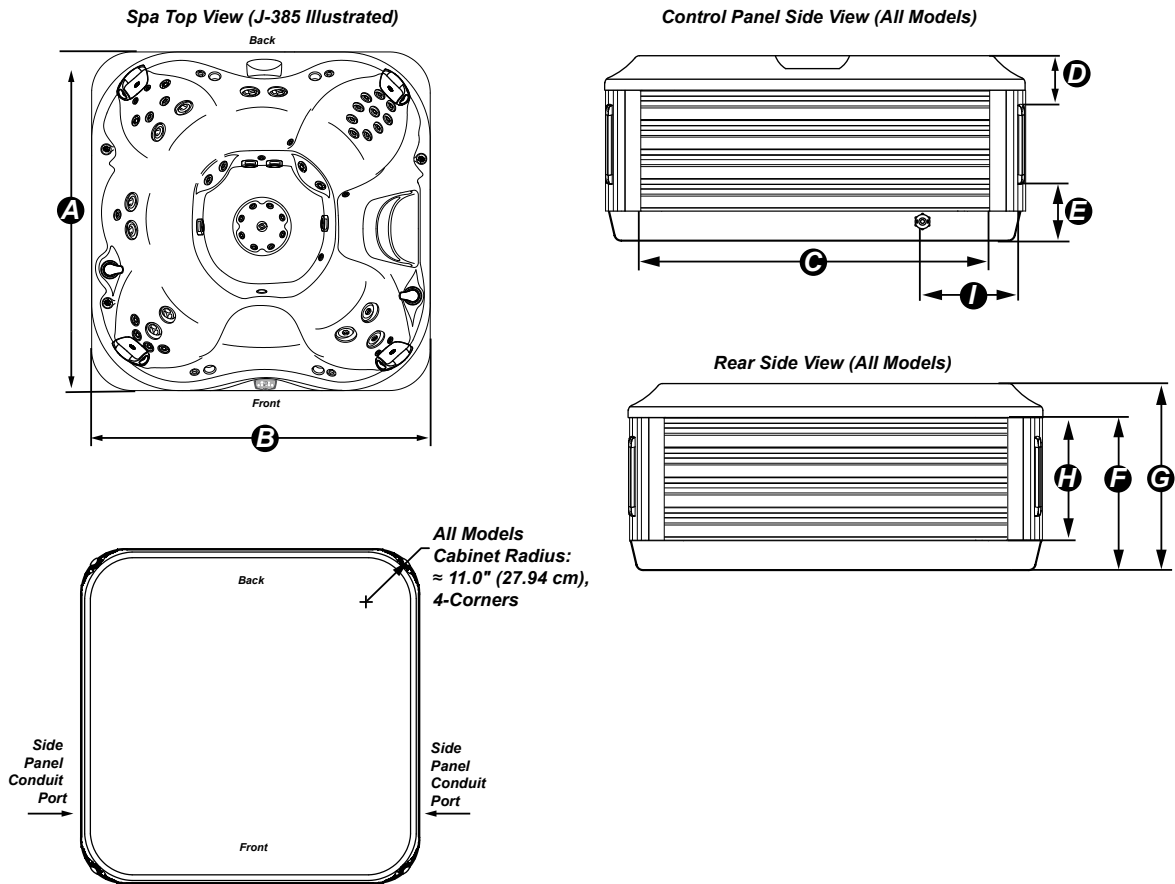


Note: Gaps in underlying wood frame are for ventilation purposes; not for electrical hook-ups or other uses.

Complete Dimensions - J300 Collection Models


Spa Models	DIMENSIONS A-F (All measurements are an approximate)							
	A	B	C	D	E	F		
J-385	91" (231.1 cm)	91" (231.1 cm)	66.75" (169.55 cm)	9.0" (22.86)	15.75" (40.01 cm)	32" (81.28 cm)		
J-375			66.50" (168.91 cm)					
J-365	84" (213.4 cm)	84" (213.4 cm)	60.0" (152.40 cm)		13.5" (34.09 cm)	30.50" (77.47 cm)		
J-355			76" (193 cm)		52.5" (133.35 cm)	10.75" (27.31 cm)	28" (71.12 cm)	
J-345					52.0" (132.08 cm)	9.50" (24.13 cm)	26.25" (66.68 cm)	
J-335	66" (167.6 cm)	76" (193 cm)	52.0" (132.08 cm)		9.50" (24.13 cm)	26.25" (66.68 cm)		
J-325			52.0" (132.08 cm)		9.50" (24.13 cm)	26.25" (66.68 cm)		
J-315	66" (167.6 cm)	76" (193 cm)	52.0" (132.08 cm)		9.50" (24.13 cm)	26.25" (66.68 cm)		
DIMENSIONS G-I (All measurements are an approximate)								
	G	H	I	CLEARARRAY®	 <p>IMPORTANT! Always measure each hot tub for exact dimensions BEFORE designing its foundation support and/or decking.</p>			
J-385	37.50" (95.25 cm)	26" (66.04 cm)	12" (30.48 cm)	Front Center				
J-375			29" (73.66 cm)					
J-365			36" (91.44 cm)				24.50" (62.23 cm)	27" (68.58 cm)
J-355								27" (68.58 cm)
J-345	36" (91.44 cm)	24.50" (62.23 cm)	27" (68.58 cm)					
J-335	33.50" (85.09 cm)	21.5" (54.61 cm)	12" (30.48 cm)					
J-325	33.50" (85.09 cm)							
J-315	31.75" (80.65 cm)	21.5" (54.61 cm)	12" (30.48 cm)					

- Dimensions Subject to Change Without Notice -

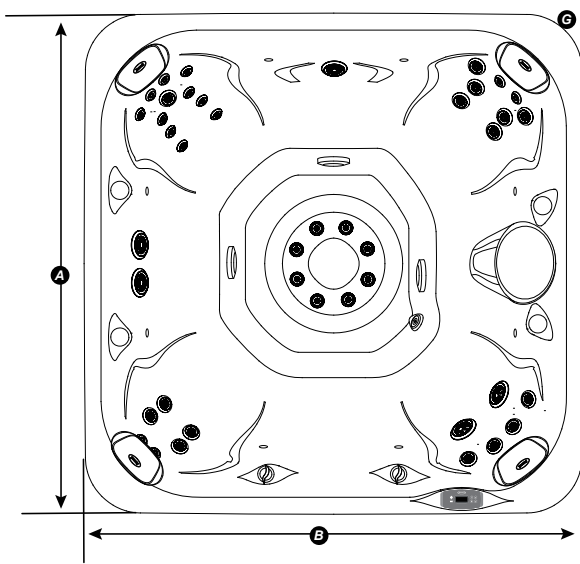


Note: Gaps in underlying wood frame are for ventilation purposes; not for electrical hook-ups or other uses.

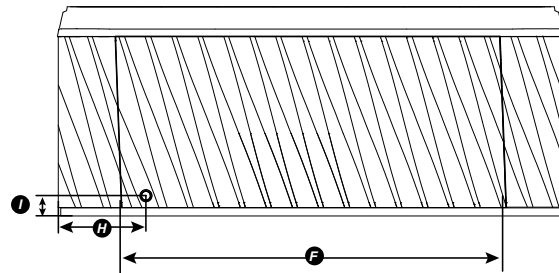
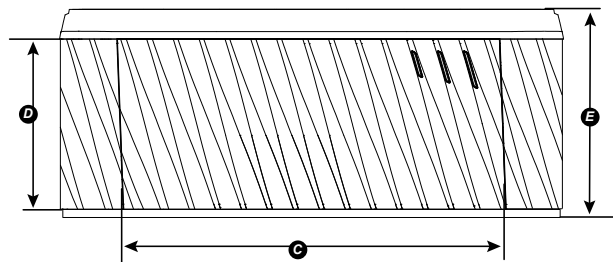
Complete Dimensions-All J200 Collection Models

Spa Models	DIMENSIONS A-G (ALL MEASUREMENTS ARE AN APPROXIMATE)						
	A	B	C	D	E	F	G
J-215	69" (175.3 cm)	80" (203.2 cm)	58.88" (149.6 cm)	27" (68.6 cm)	33" (83.8 cm)	TBD	10.0" (25.4 cm)
J-225	80" (203.2 cm)	80" (203.2 cm)	58.88" (149.6 cm)	27" (68.6 cm)	33" (83.8 cm)	58.88" (149.6 cm)	10.0" (25.4 cm)
J-235	84" (213.4 cm)	84" (213.4 cm)	62.25" (158.1 cm)	30" (76.2 cm)	36.0" (91.4 cm)	62.25" (158.1 cm)	10.0" (25.4 cm)
J-245	84" (213.4 cm)	84" (213.4 cm)	62.25" (158.1 cm)	30" (76.2 cm)	36.0" (91.4 cm)	62.25" (158.1 cm)	10.0" (25.4 cm)
J-275	89" (226.1 cm)	89" (226.1 cm)	69.25" (175.9 cm)	30" (76.2 cm)	36.0" (91.4 cm)	69.25" (175.9 cm)	10.0" (25.4 cm)
J-285	89" (226.1 cm)	89" (226.1 cm)	69.25" (175.9 cm)	30" (76.2 cm)	36.0" (91.4 cm)	69.25" (175.9 cm)	10.0" (25.4 cm)
DIMENSIONS H-I (ALL MEASUREMENTS ARE AN APPROXIMATE)							
	H	I	CLEARARRAY®	Drain	 <p>IMPORTANT! Always measure each hot tub for exact dimensions BEFORE designing its foundation support and/or decking.</p>		
J-215	28.5" (72.39 cm)	4.0" (10.16 cm)	Center	Right			
J-225	24.0" (60.96 cm)	4.0" (10.16 cm)					
J-235	24.0" (60.96 cm)	4.0" (10.16 cm)					
J-245	24.0" (60.96 cm)	4.0" (10.16 cm)					
J-275	26.0" (66.04 cm)	4.0" (10.16 cm)					
J-285	26.0" (66.04 cm)	4.0" (10.16 cm)					
- Dimensions Subject to Change Without Notice -							

Spa Top View (J-285 Illustrated)



Cabinet Radius:
≈ 10.0" (25.4 cm),
4-Corners



Note: Gaps in underlying wood frame are for ventilation purposes; not for electrical hook-ups or other uses.

Your Jacuzzi Hot Tub Dealer is:

