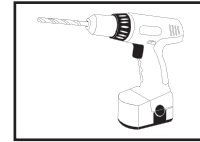


## 1968-72 Chevy Nova Headliner Install Instructions

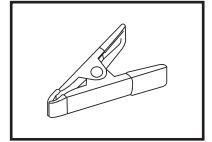


### TOOLS NEEDED FOR INSTALL:

1. Drill
2. 4 Spring Clamps
3. Phillips Screwdriver

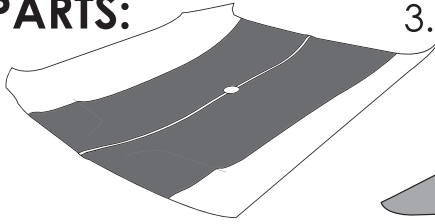


DRILL

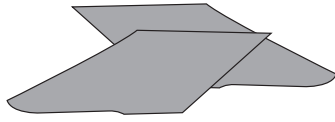


CLIPS

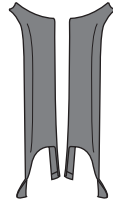
### PARTS:



Headliner



Sail Panels



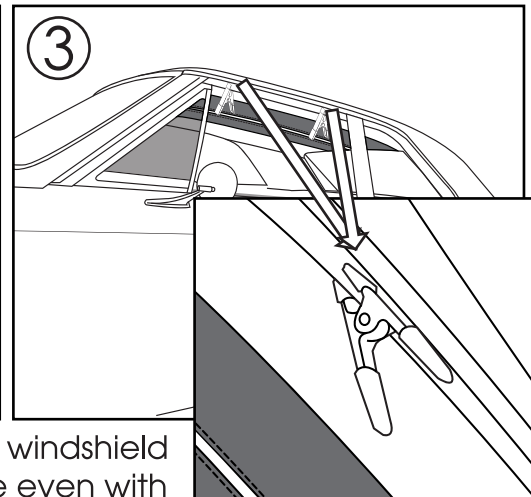
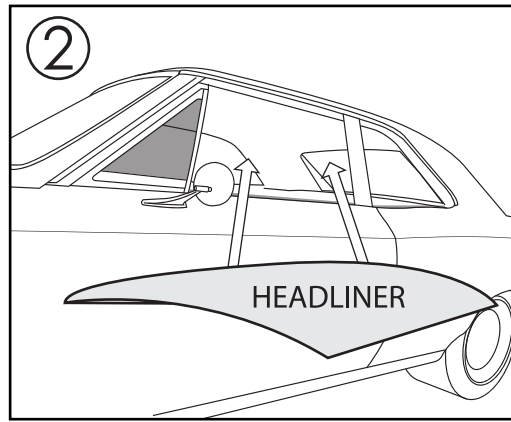
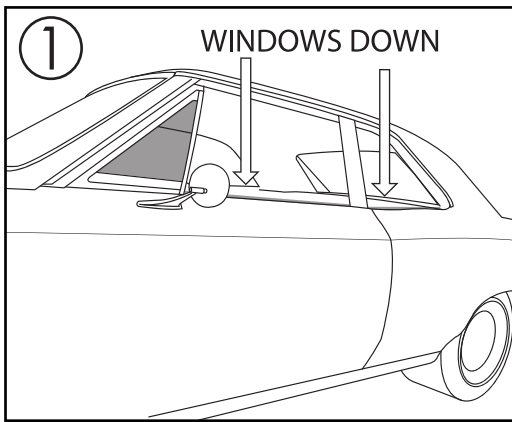
Pillars



PHILLIPS SCREWDRIVER

**STEP 1:** Remove the old headliner, including sun visors, rear view mirror and dome light. Roll all four windows down in the vehicle. **NOTE:** Please keep all hardware as it will be used for the new headliner installation.

**STEP 2:** Starting from the driver's side, slide the headliner into the vehicle. You'll need to position the headliner diagonally. Once the headliner is in the vehicle, have a helper push the headliner up onto the roof.



**STEP 3:** Line up the headliner where it fits against the front top of the windshield and the back of the rear glass. Make sure the left and right sides are even with the top of the door openings. Using 4 springs clamps, clamp the headliner to the roof of the vehicle. Put 1 clamp in the front top of the door opening on the driver side and 1 clamp on the passenger side. **NOTE:** the 4 spring clamps will keep the headliner from falling and allow you to adjust the position if needed.

**STEP 4:** Snap in the sail panels on the left and right rear of the vehicle and install the original wind lace.  
**STEP 5:** Using a drill, install the A-Pillar using the original screws. Repeat on opposite side for B-Pillar. Reinstall the sun visors and dome light. Install complete.

