

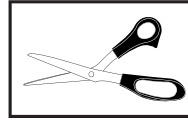
1968-72 Chevy Nova Molded Door Panel Installation



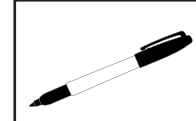
PARTS:

TOOLS NEEDED FOR INSTALL:

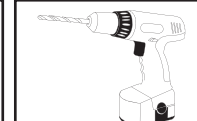
1. Scissors
2. Marker
3. Drill



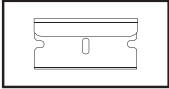
SCISSORS



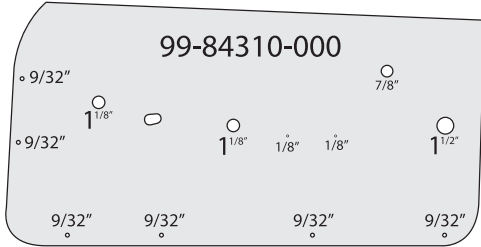
MARKER



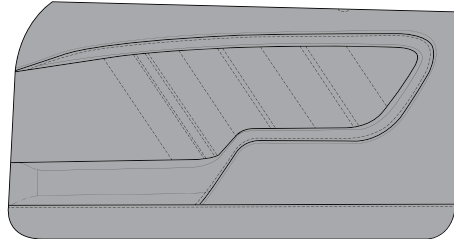
DRILL



RAZOR BLADE



Template



68-72 Nova Molded Door Panel



Door Handle Cup

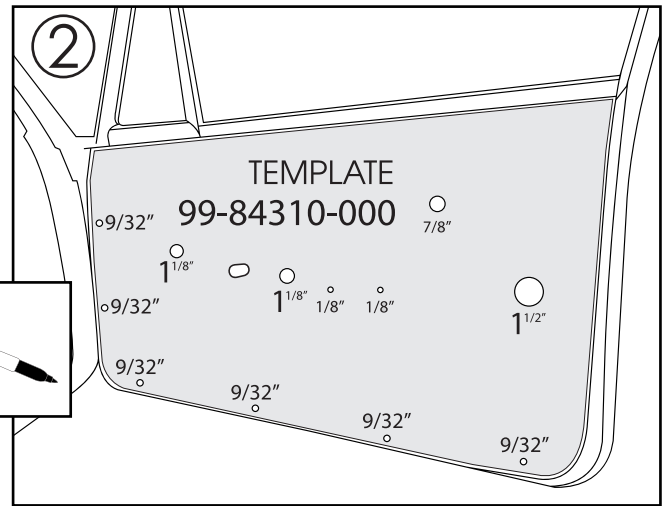
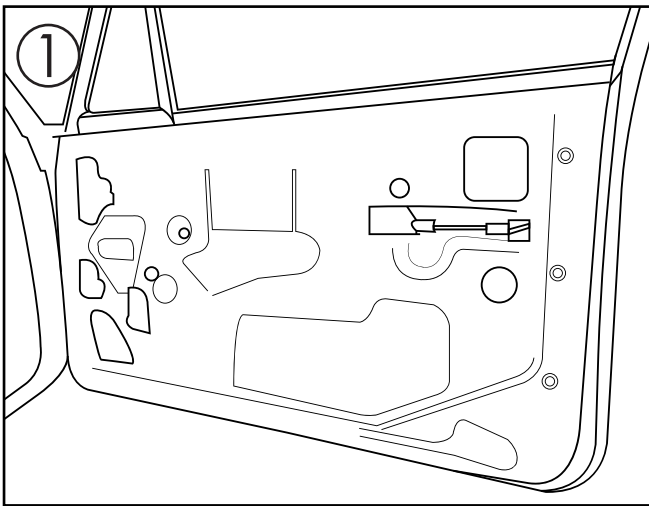


Screws

STEP 1. Remove the factory door panels including all the hardware.

NOTE: Some existing hardware will be installed into the new door panel.

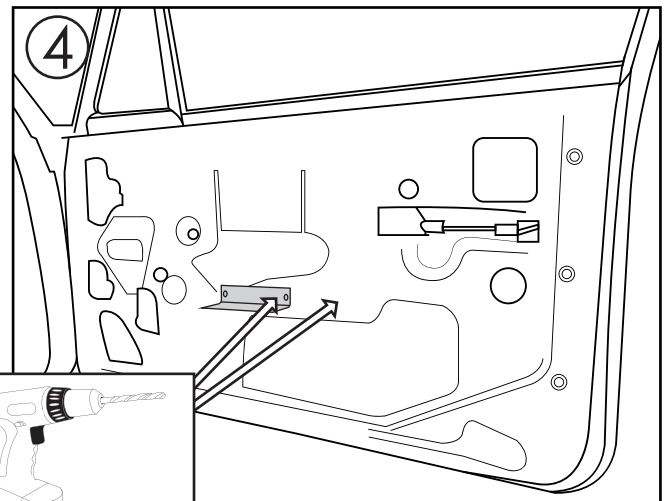
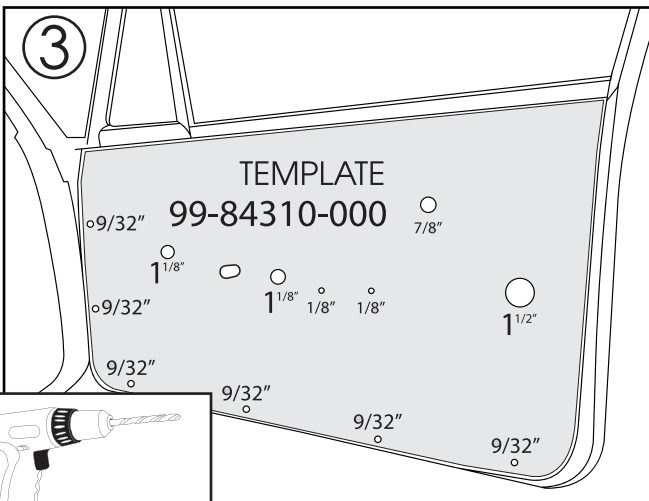
STEP 2. Cut out the provided template following the scissors as well as all the labeled holes/openings. Align the template to the factory window crank and holes. Use a marker to mark the holes for drilling.



STEP 3. Drill out the marked holes using the sizes indicated on the template.

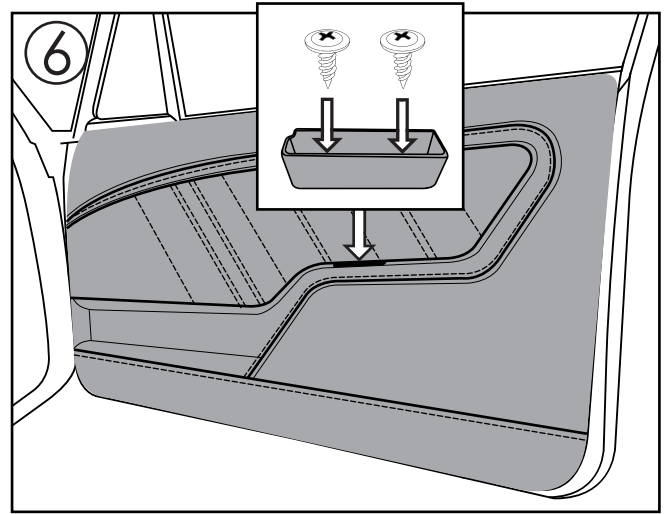
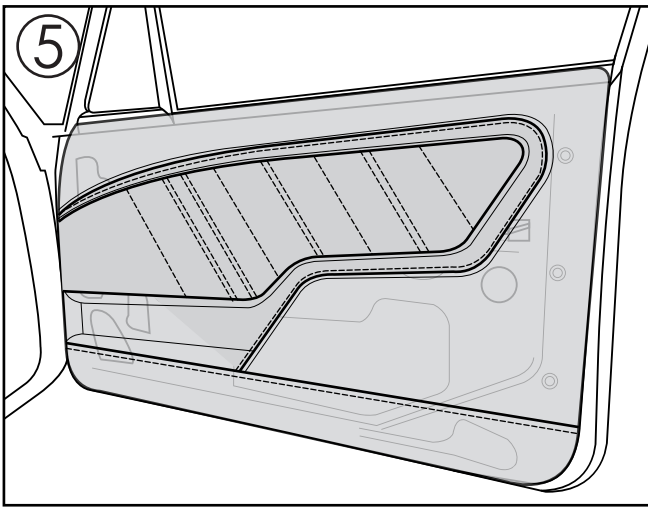
STEP 4. Mount the door panel cup kit bracket to the door using the screws provided.

NOTE: Bending the bracket to properly fit the door panel may be needed.



STEP 5. Mount the door panel to the door making sure to align the clips to the holes.

STEP 6. Once mounted, install the door panel cup to the bracket using the screws provided in the kit.



STEP 7. Cut out the material for the window and door crank.

STEP 8. Then install window and door crank. Install Complete.

