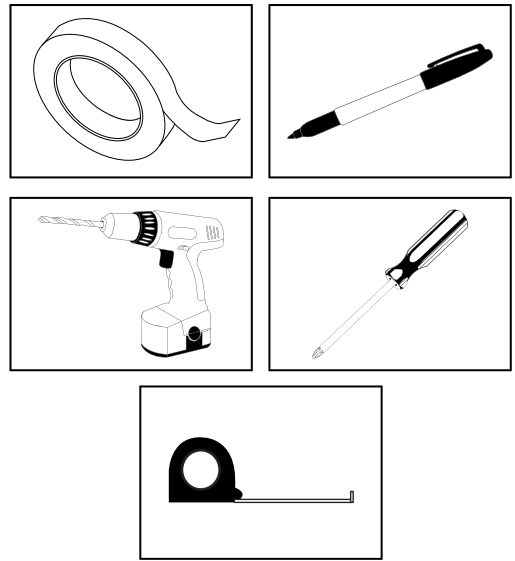


Chevy K5 Blazer • 1973-75 Molded Door Panel Installation Guide

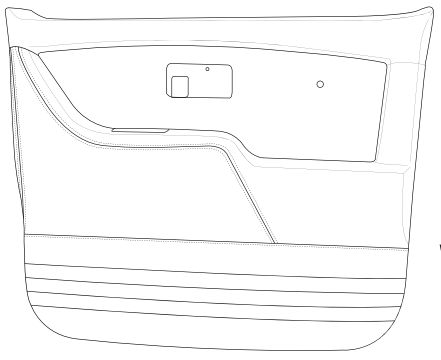


TOOLS NEEDED FOR INSTALL:

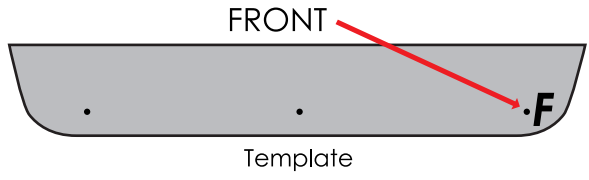
1. Tape
2. Marker
3. Power Drill
4. Phillips Screwdriver
5. Measuring Tape



Parts:

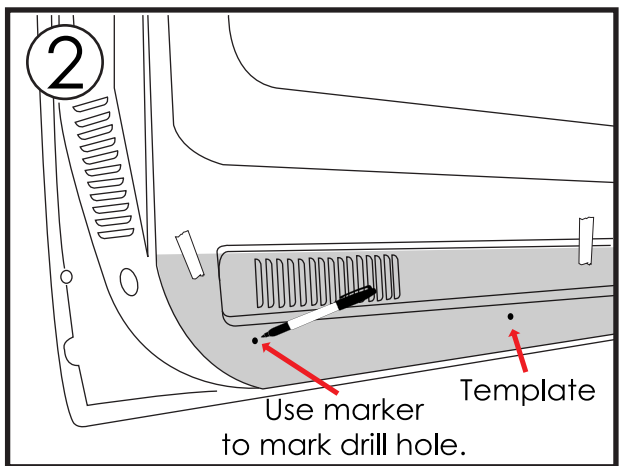
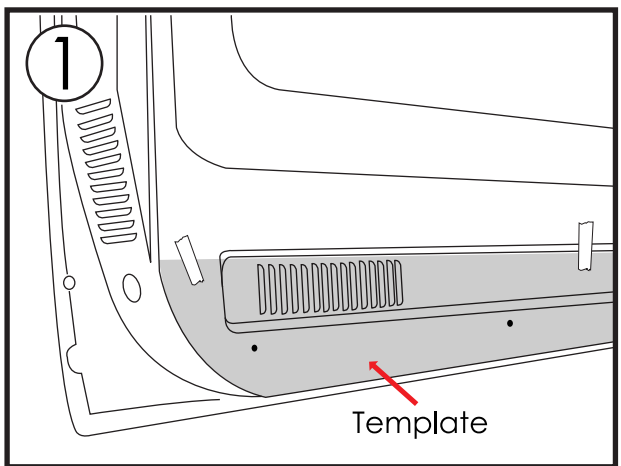


Molded Door Panel



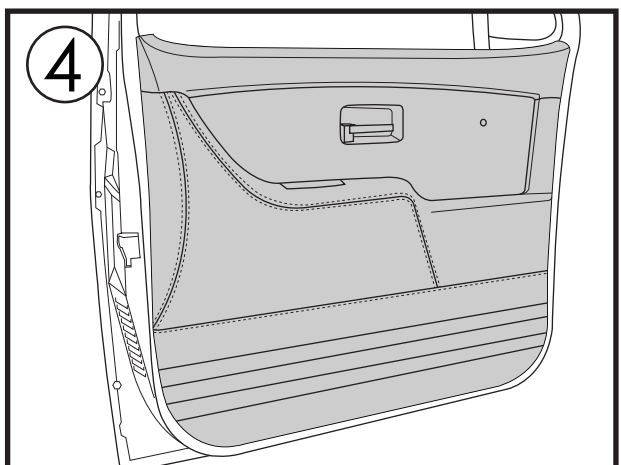
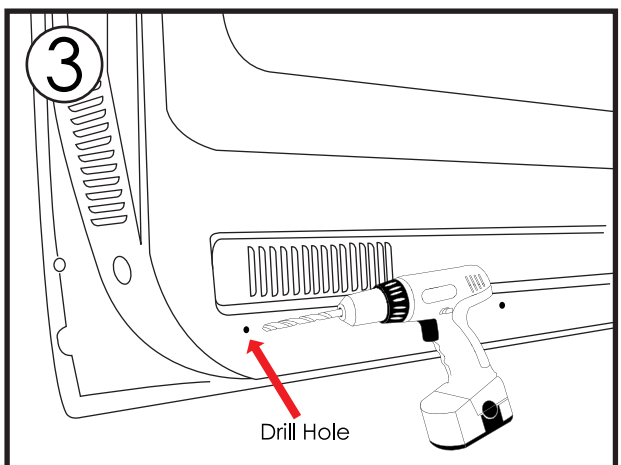
STEP 1: Use Template given for panel placement. Place template on door using tape and determine center and correct placement.

STEP 2: Using Template, mark drill holes with marker. Remove template and clean area to prepare for drilling



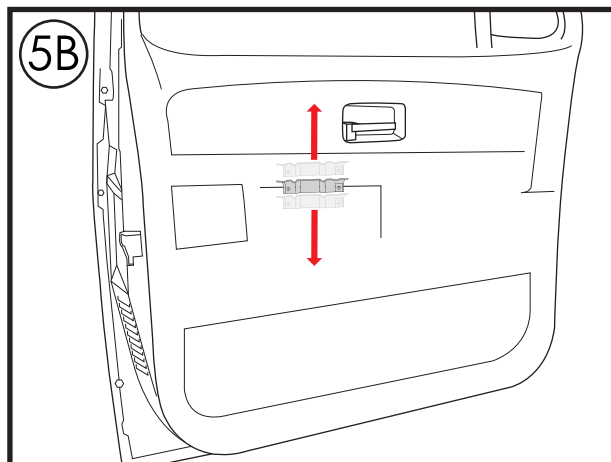
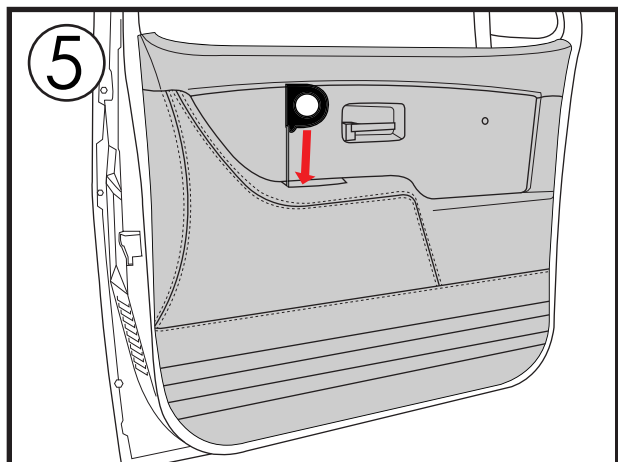
STEP 3: Drill holes using a 19/64" bit.

STEP 4: You will have to temporarily set the door panel onto the door. (be careful to not push the door clips).



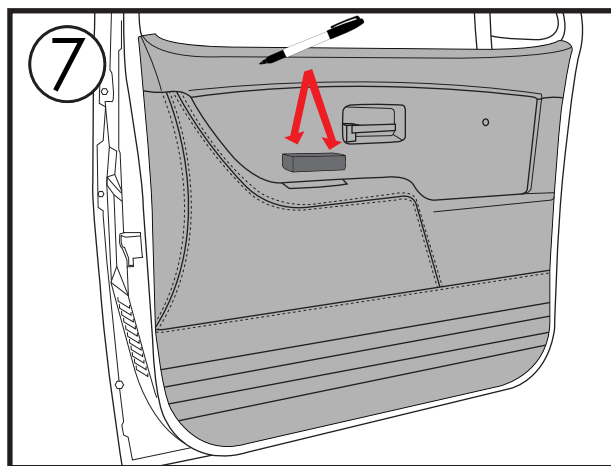
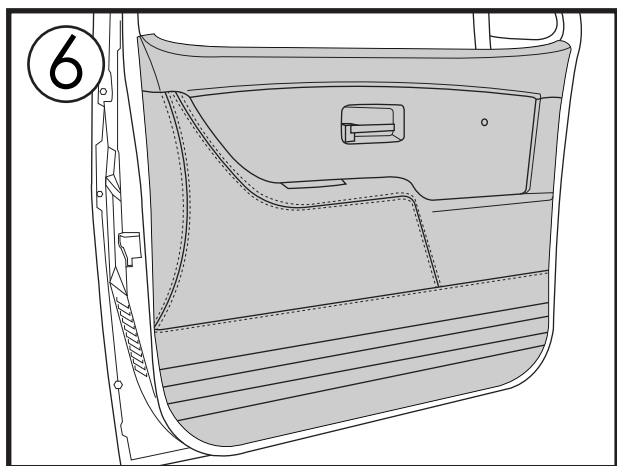
STEP 5: Factory "L" Bracket must be 1 1/4" from door cup hole. If lower or higher, measure from the cup hole opening and find the distance to your "L" Bracket. Move the "L" Bracket accordingly. Secure "L" Bracket with (2) Sheet Metal Screws (Not Provided).

STEP 5B: You will remove the door panel. Depending on the location of your factory "L" Bracket you may need to move it up or down. From the previous step you should know the distance that you need to move the factory "L" Bracket. The goal is to move the factory "L" Bracket to a point at which it will be 1" inches from the door panel cup. This means if you were less than 1" you must move it down if you were more than 1" you must move it up. You will need to two (2) metal screws to screw the factory "L" Bracket into its new location.



STEP 6: After the door cup factory "L" Bracket is at the right height you will need to hang the door panel temporarily one last time. (again being careful not to attach the clips at the bottom)

STEP 7: Place Door Panel on then place door handle in place. Use Marker to mark drill holes.



STEP 8: Place door handle in place and fasten with screws (2pcs.) provided.

STEP 9: For opposite side, flip Template and repeat steps 1-8.

