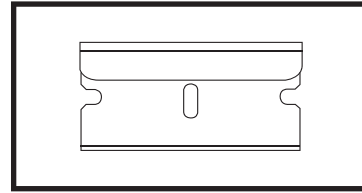


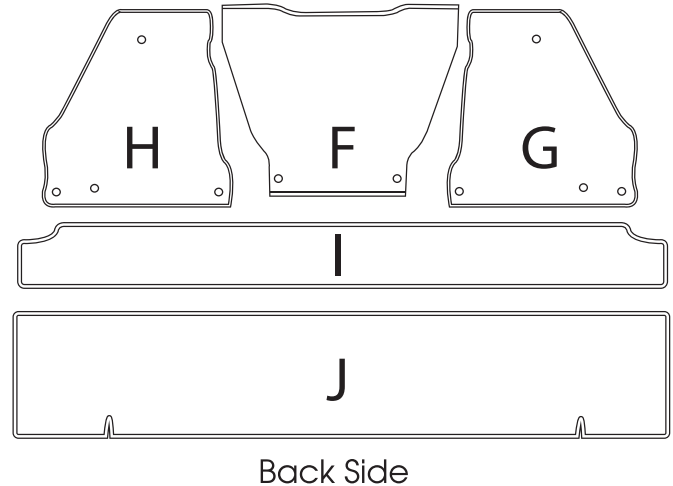
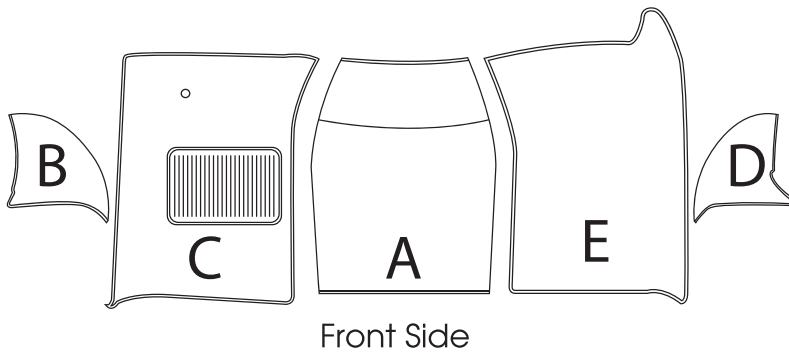


TOOLS NEEDED FOR INSTALL:

1. Adhesive Spray
2. Razor Blade

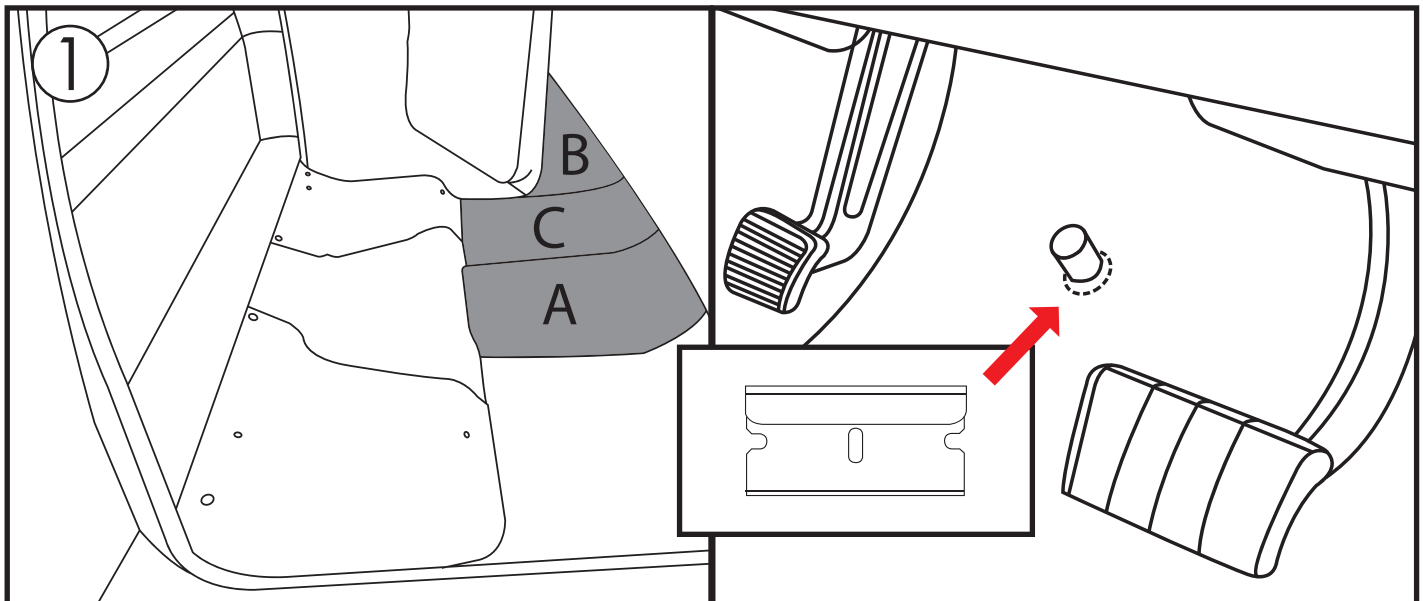


NOTE Place pieces in designated locations properly before spraying back side of piece with adhesive.



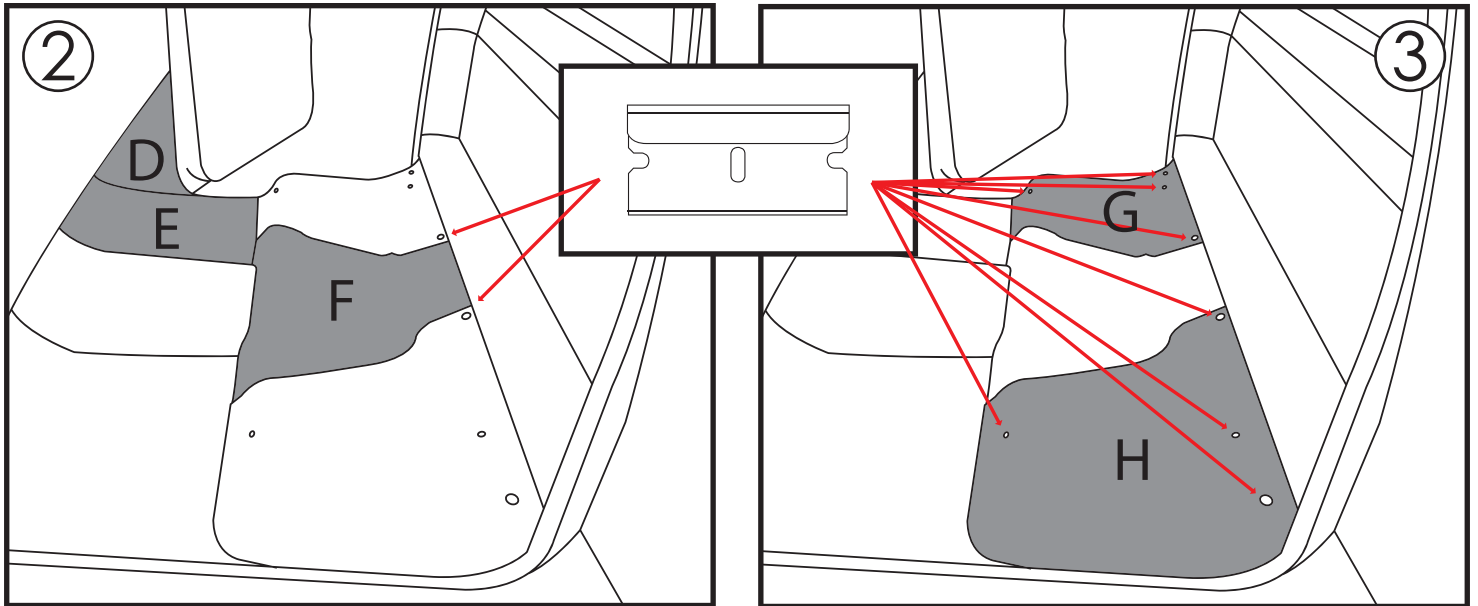
STEP 1: Start with piece (A) in the front center. Place in designated location. Use adhesive spray to spray on back side of piece and pat down firmly. Next is piece (B) which goes on the driver side wall. Piece (C) Use razor blade to cut a small hole to push dimmer switch through.

PLEASE CONTINUE IN THE ORDER BELOW USING THE SAME PROCESS FROM ABOVE.



STEP 2: Next - Piece (D) and Piece (E) on passenger side. Piece (F) is center rear.
Use razor blade to cut out small holes for seat belt bolts and seat bolts.

STEP 3: Piece (G) rear passenger side. Piece (H) rear driver side. Use razor blade to cut small holes for seat belt bolts and seat bolts.



STEP 4: Piece (I) and Piece (J) to complete carpet install.

