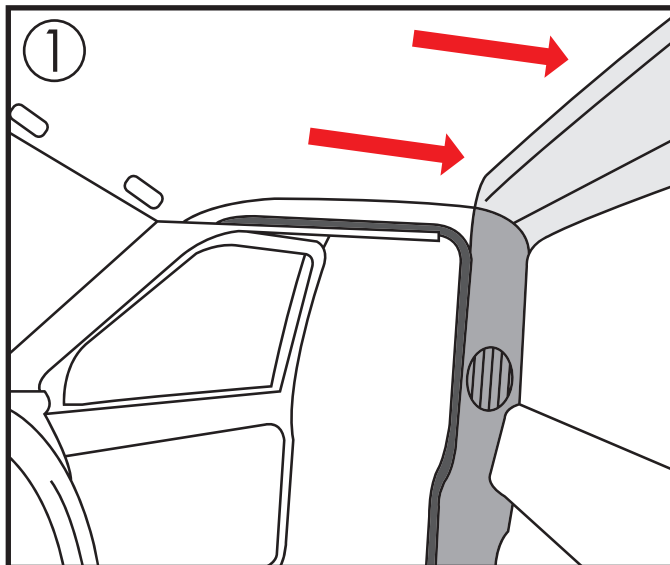
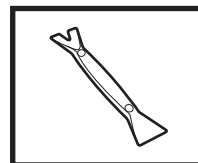
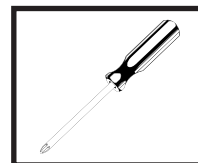


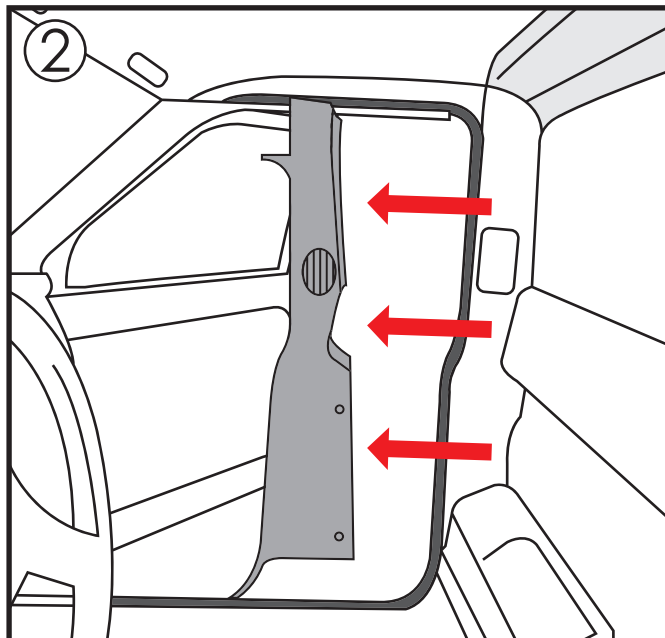
## Headliner Installation

**TOOLS NEEDED FOR INSTALL:**

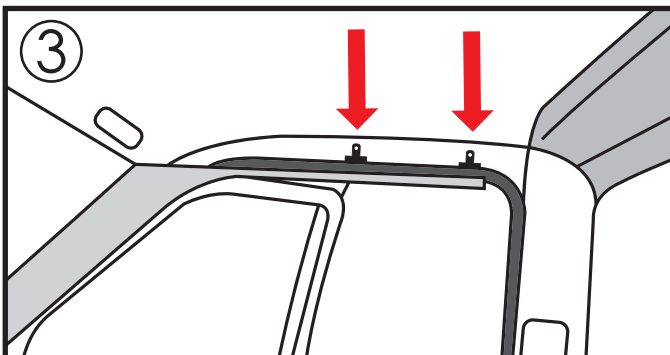
1. Phillips Screwdriver
2. Prying Tool



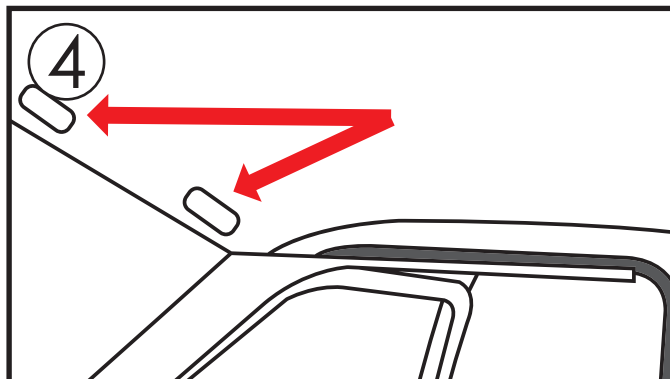
**STEP 1:** By hand, remove upper window trim. Note: be mindful of the clips on the back of the trim.



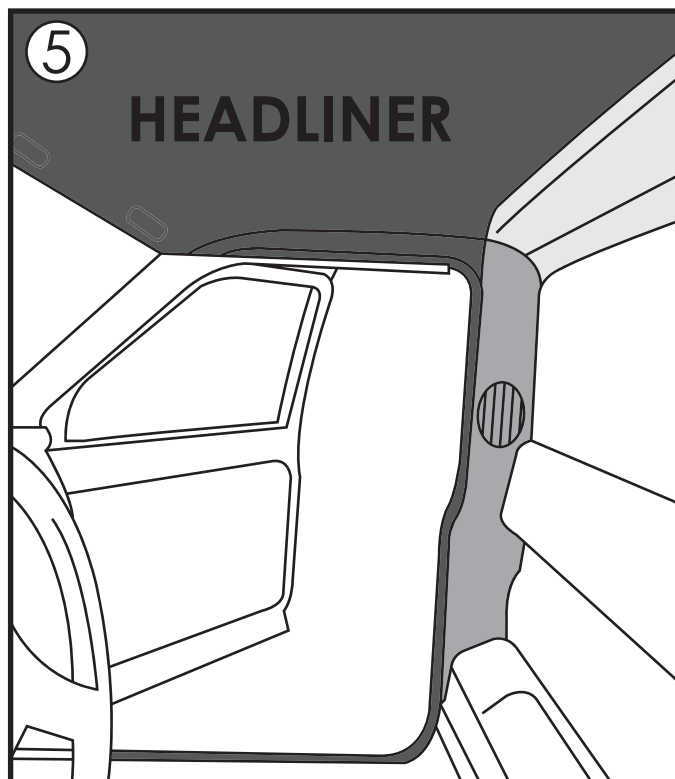
**STEP 2:** Using a Phillips screwdriver, remove the screws attaching the rear speaker trim.



**STEP 3:** Use pry tool to remove A pillar making sure not to break the clips under the A pillar. Use the pry tool in a twisting motion. Prying on the pillar could cause it to break.



**STEP 4:** Use factory Velcro attached to roof.



**STEP 5:** Install TMI Headliner. Note: You may need assistance holding the Headliner as you reinstall factory trim and A pillars.