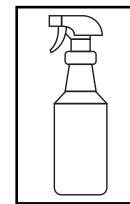


Chevy Truck • 1988-94 Dash Pad Installation Guide

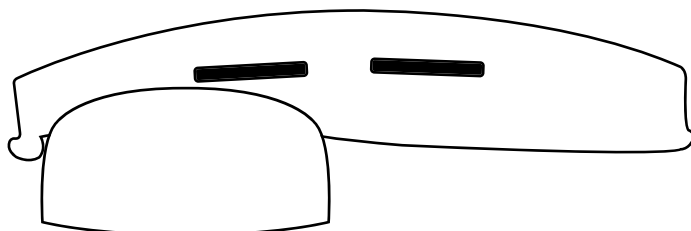


Tools:

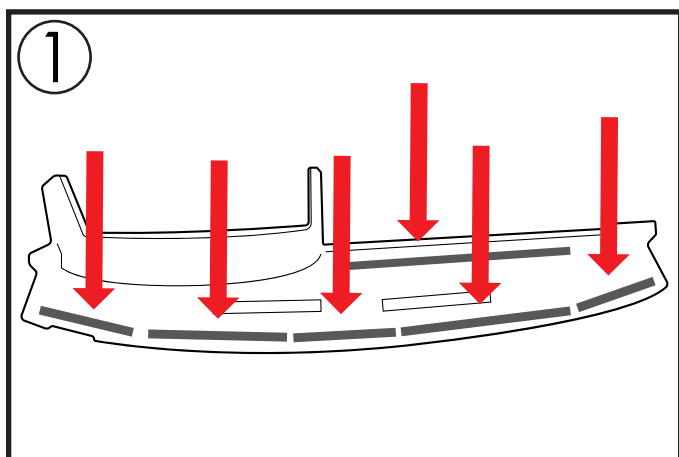


Spray Bottle

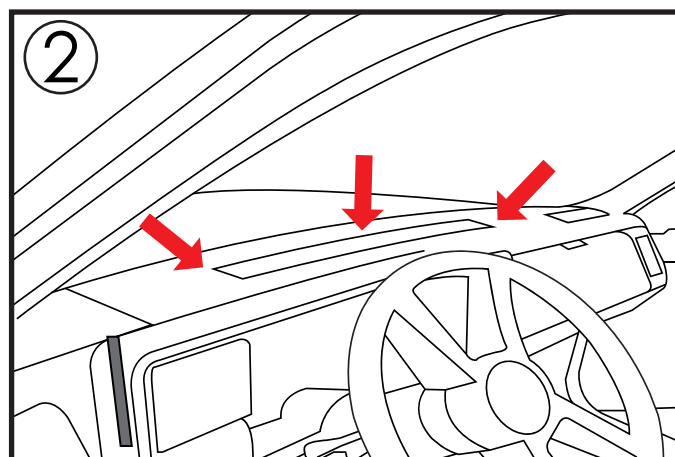
Parts:



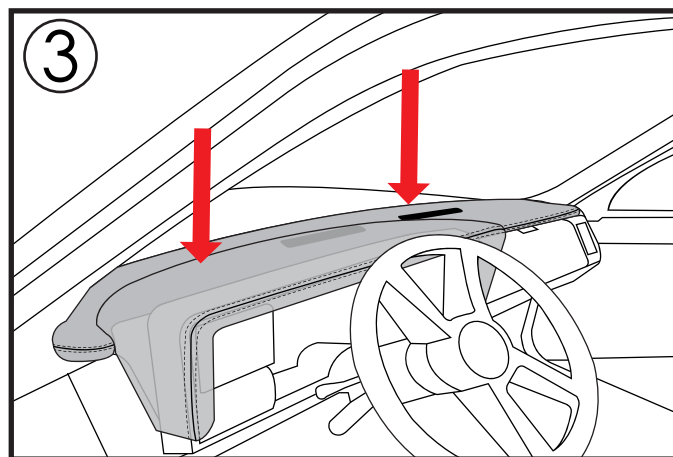
Dash Pad



STEP 1: Remove adhesive strip from Velcro and use a spray bottle filled with water to spray the Velcro pieces on the Dash Pad.



STEP 2: Use spray bottle and spray the dash where the Velcro pieces would lay. This will allow you to position the dash and able to move it freely without sticking.



STEP 3: Fit Dash Pad onto the Dash. Let the water evaporate to allow the Dash Pad stick to the Dash and press down firmly. Install complete.