

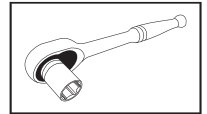
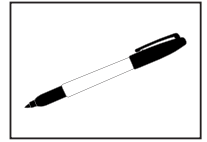
1955-1957 Chevy Bel Air

Trunk Kit Installation Guide

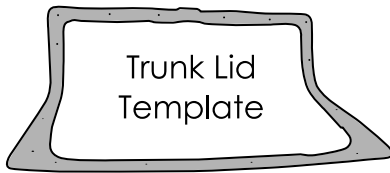


TOOLS NEEDED FOR INSTALL:

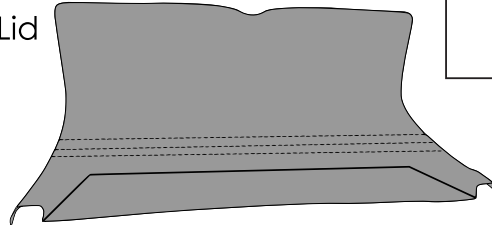
1. Marker
2. Drill and 9/32IN drill bit
3. Socket



PARTS:

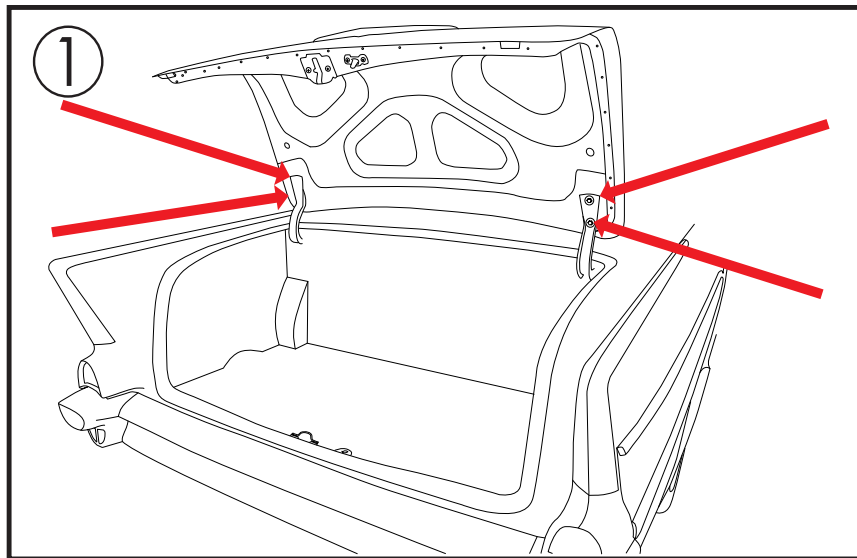


Trunk Lid



STEP 1: Remove 4 bolts holding the trunk lid to the brackets.

Note: Prior to removing the trunk lid, mark the position of the hinges.



STEP 2: With the template, mark the holes and drill out the marked holes using a 9/32IN drill bit.

STEP 3: Reinstall the trunk and push the trunk lid into place.

Note: Check the trunk alignment prior to completing the installation and closing the trunk.

