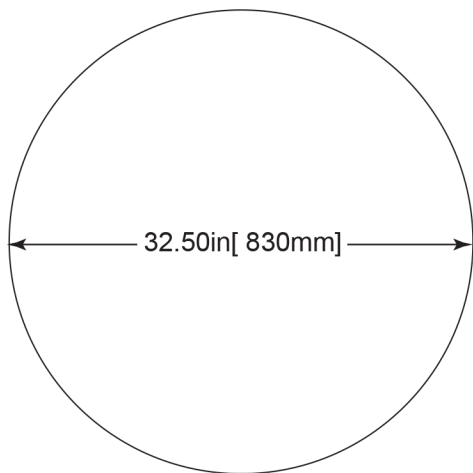


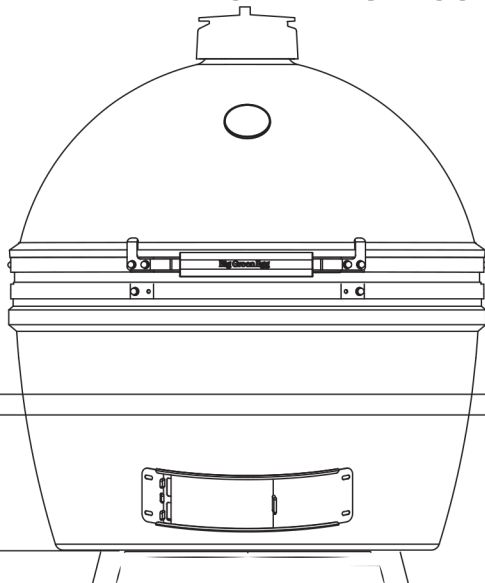
# 2XL EGG BUILT-IN SPECIFICATIONS



## DIAMETER OF HOLE CUTOUT

*(ensures small air gap between ceramics and surrounding surface)*

XXLv2 EGG weight: 425lbs [193kgs]

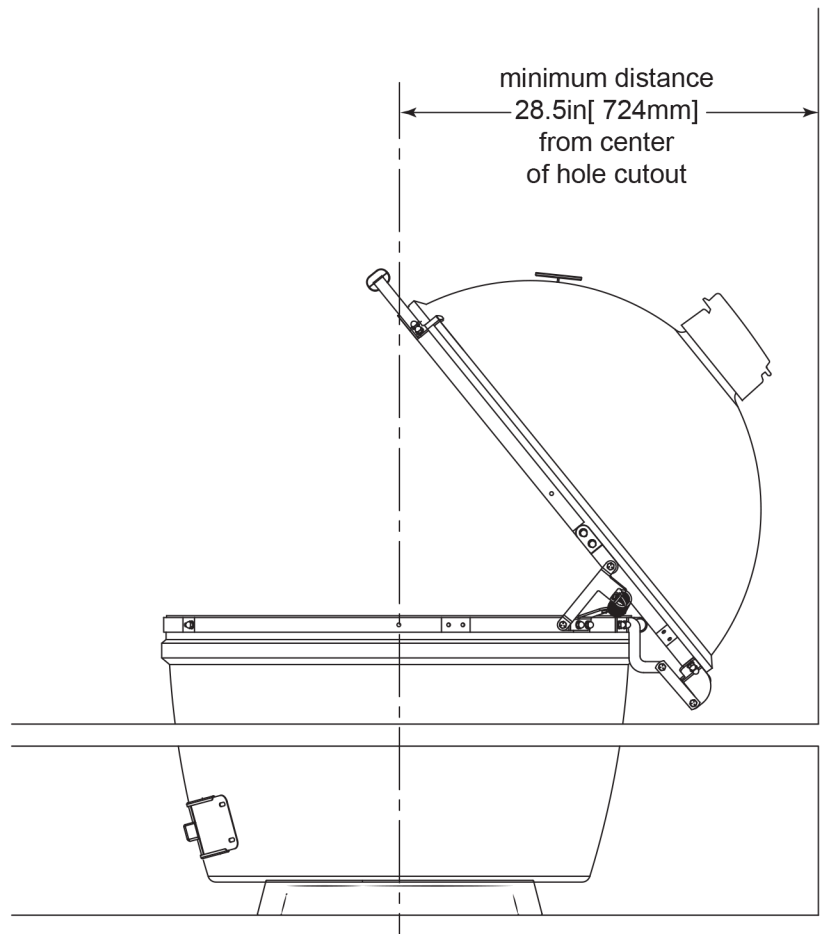


## SHELF HEIGHT

*Calculations based on EGG resting on Big Green Egg Table Nest*

*EGG must be installed in a non-combustible environment*

*Safety Tips link : [www.biggreenegg.com/safety-tips/](http://www.biggreenegg.com/safety-tips/)*



## REAR WALL DISTANCE FROM CENTER

*provides enough clearance for dome when fully opened*