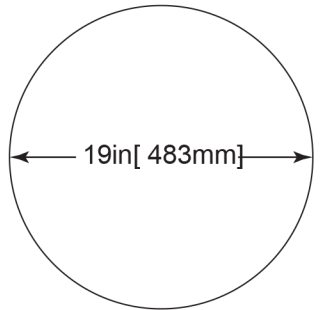


MEDIUM EGG BUILT-IN SPECIFICATIONS

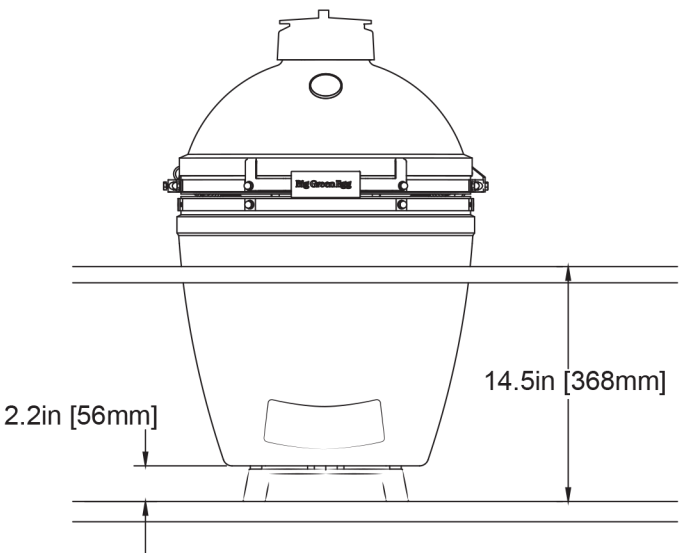


DIAMETER OF HOLE CUTOUT
(ensures small air gap between ceramics and surrounding surface)

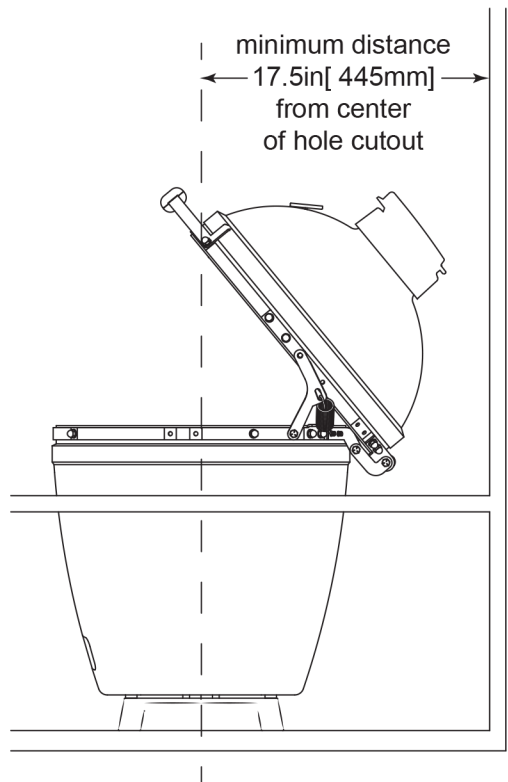
EGG must be installed in a non-combustible environment

Safety Tips link : www.biggreenegg.com/safety-tips/

Medium EGG weight: 115lbs [52kgs]



SHELF HEIGHT
calculations based on EGG resting on Big Green Egg Table Nest



REAR WALL DISTANCE FROM CENTER
provides enough clearance for dome when fully opened