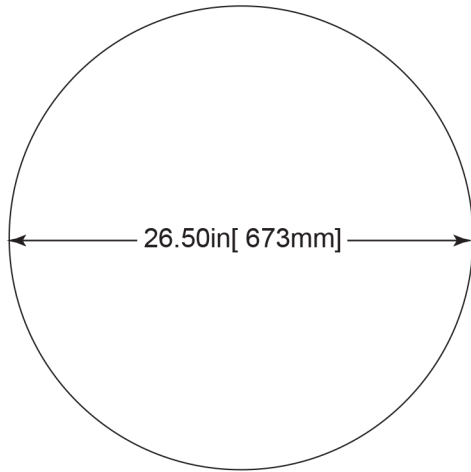


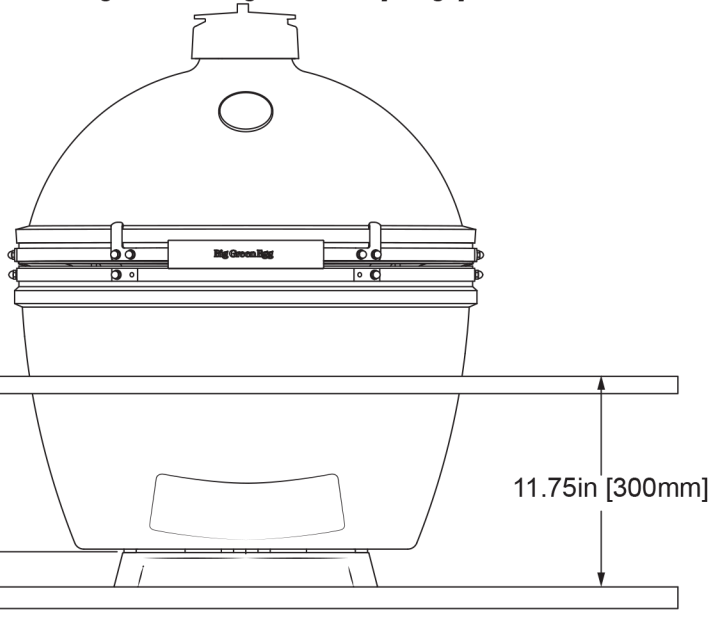
X-LARGE EGG BUILT-IN SPECIFICATIONS



DIAMETER OF HOLE CUTOUT

(ensures small air gap between ceramics and surrounding surface)

X-Large EGG weight: 217lbs [99kgs]

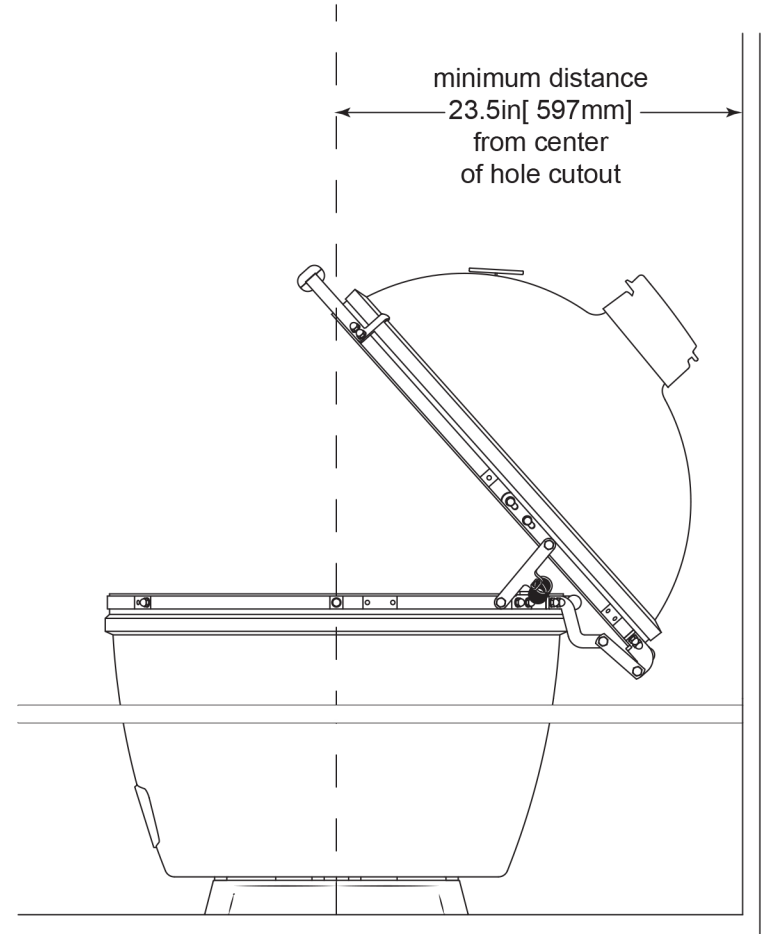


SHELF HEIGHT

Calculations based on EGG resting on Big Green Egg Table Nest

EGG must be installed in a non-combustible environment

Safety Tips link : www.biggreenegg.com/safety-tips/



REAR WALL DISTANCE FROM CENTER

provides enough clearance for dome when fully opened